



US00D376597S

United States Patent [19]

[11] Patent Number: **Des. 376,597**

Hiller

[45] Date of Patent: ****Dec. 17, 1996**

[54] TOILET RADIO

[75] Inventor: **Milton Hiller**, North Woodmere, N.Y.

[73] Assignee: **Windsor Industries, Inc.**, Farmingdale, N.Y.

[**] Term: **14 Years**

[21] Appl. No.: **46,050**

[22] Filed: **Nov. 6, 1995**

[52] U.S. Cl. **D14/189**; D14/194; D14/197

[58] Field of Search D6/519, 523; D14/124, D14/156, 169, 188, 189, 192-198, 257, 265, 299; 455/344, 347, 350-351

[56] References Cited

U.S. PATENT DOCUMENTS

- D. 214,839 8/1969 Louis D6/519
- D. 334,569 4/1993 Kubina D14/168

OTHER PUBLICATIONS

Hong Kong Enterprise Oct. 1990, p. 234, model No. HE-841, AM/FM Rest Room Radio with Telephone.

Primary Examiner—Sandra L. Morris
Assistant Examiner—Nanda Bondade
Attorney, Agent, or Firm—Howard C. Miskin

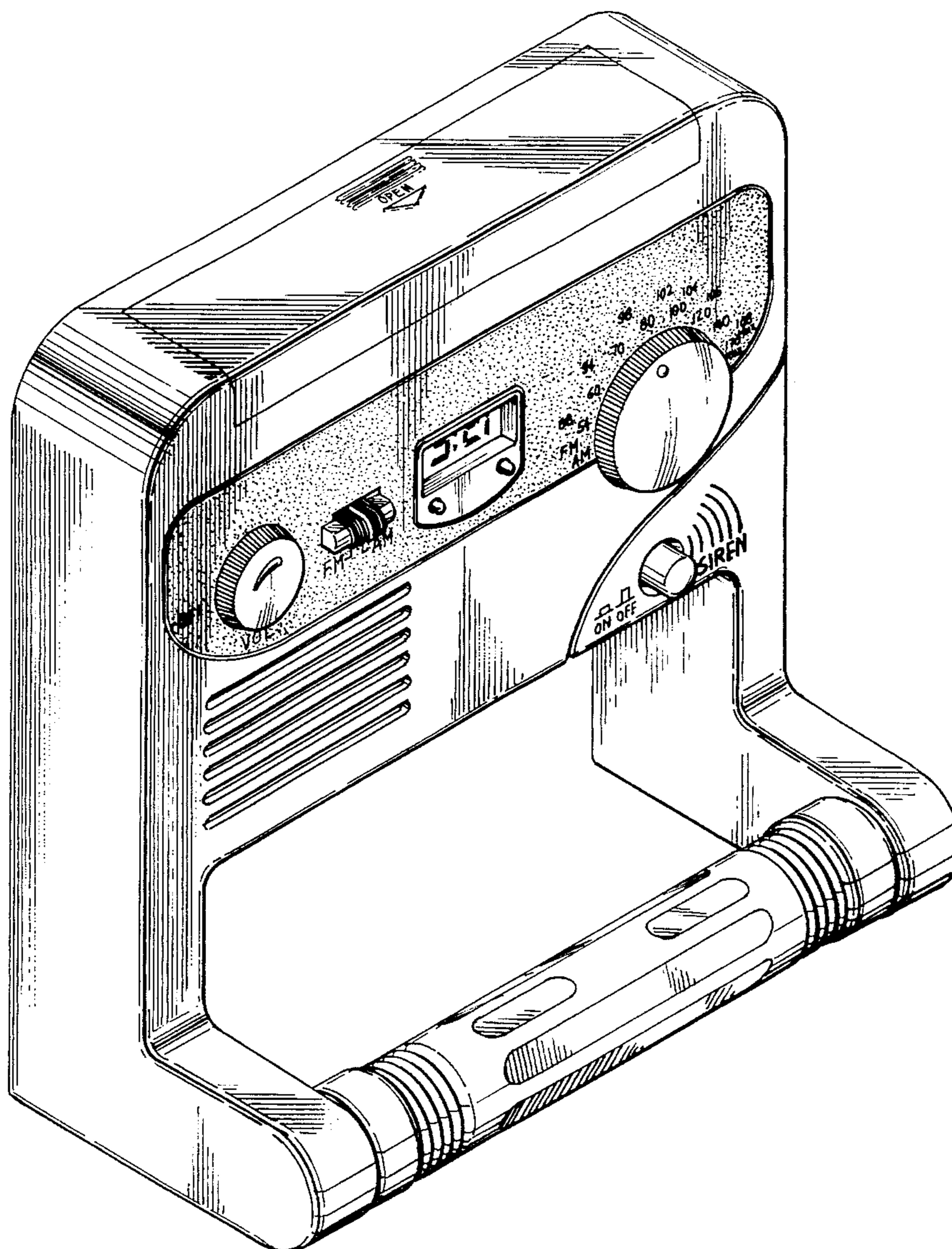
[57] CLAIM

The ornamental design for a toilet radio, as shown and described.

DESCRIPTION

FIG. 1 is a front, top and left side isometric view of a toilet radio showing my new design; FIG. 2 is a right side elevational view thereof; FIG. 3 is a rear elevational view thereof; and, FIG. 4 is a bottom plan view thereof. FIG. 1 is shown on an enlarged scale.

1 Claim, 2 Drawing Sheets



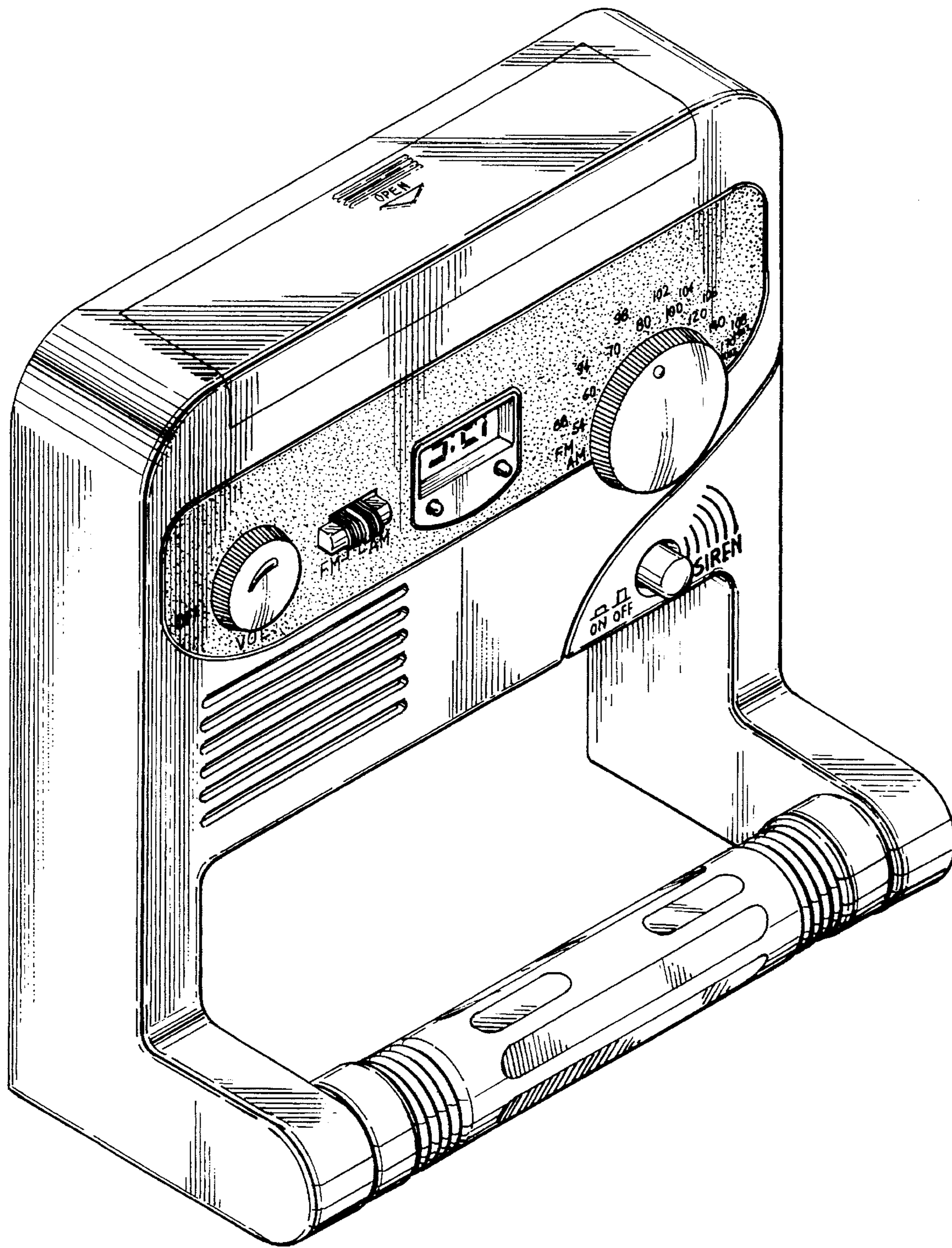


Fig. 1.

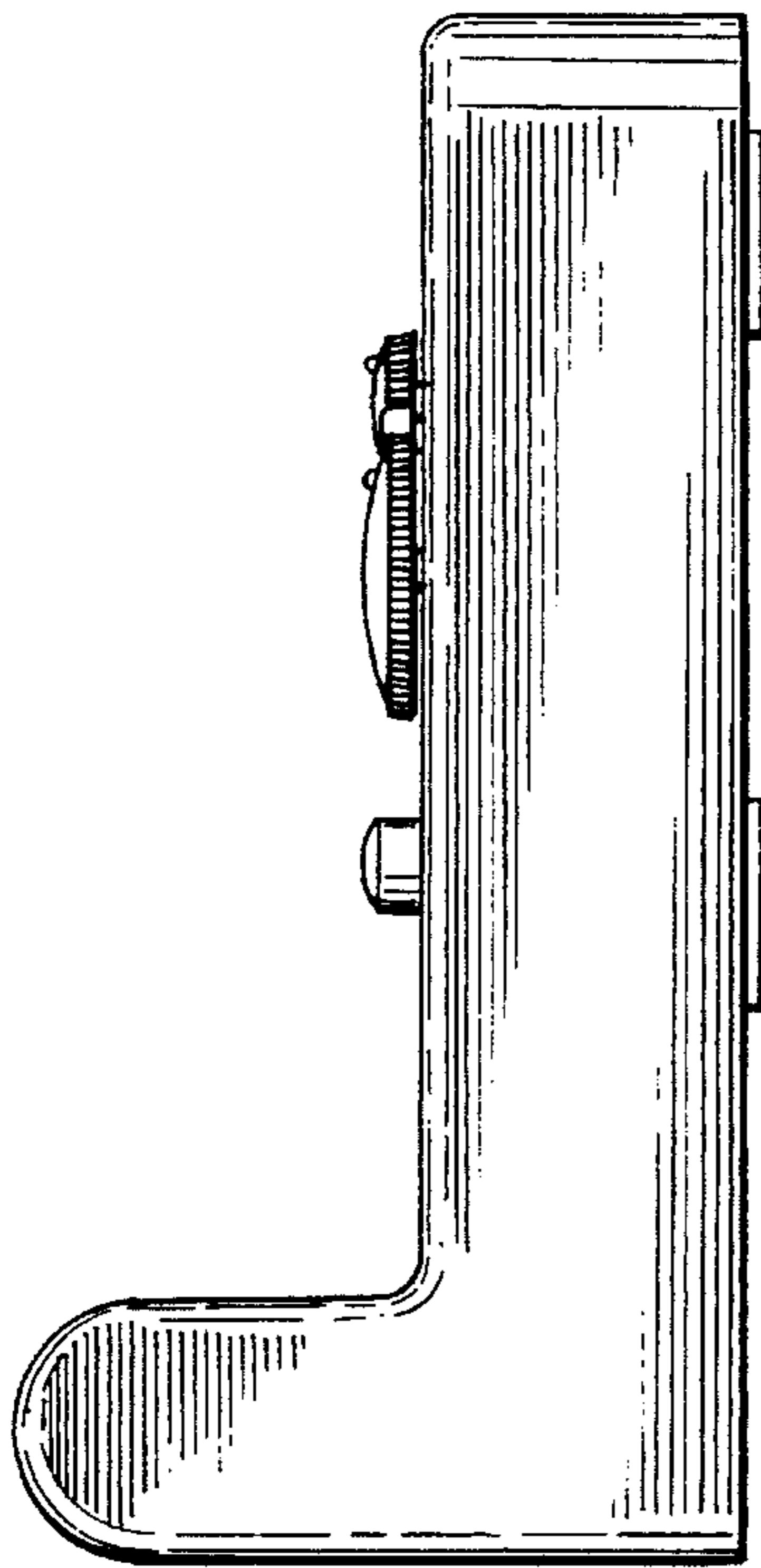


Fig. 2.

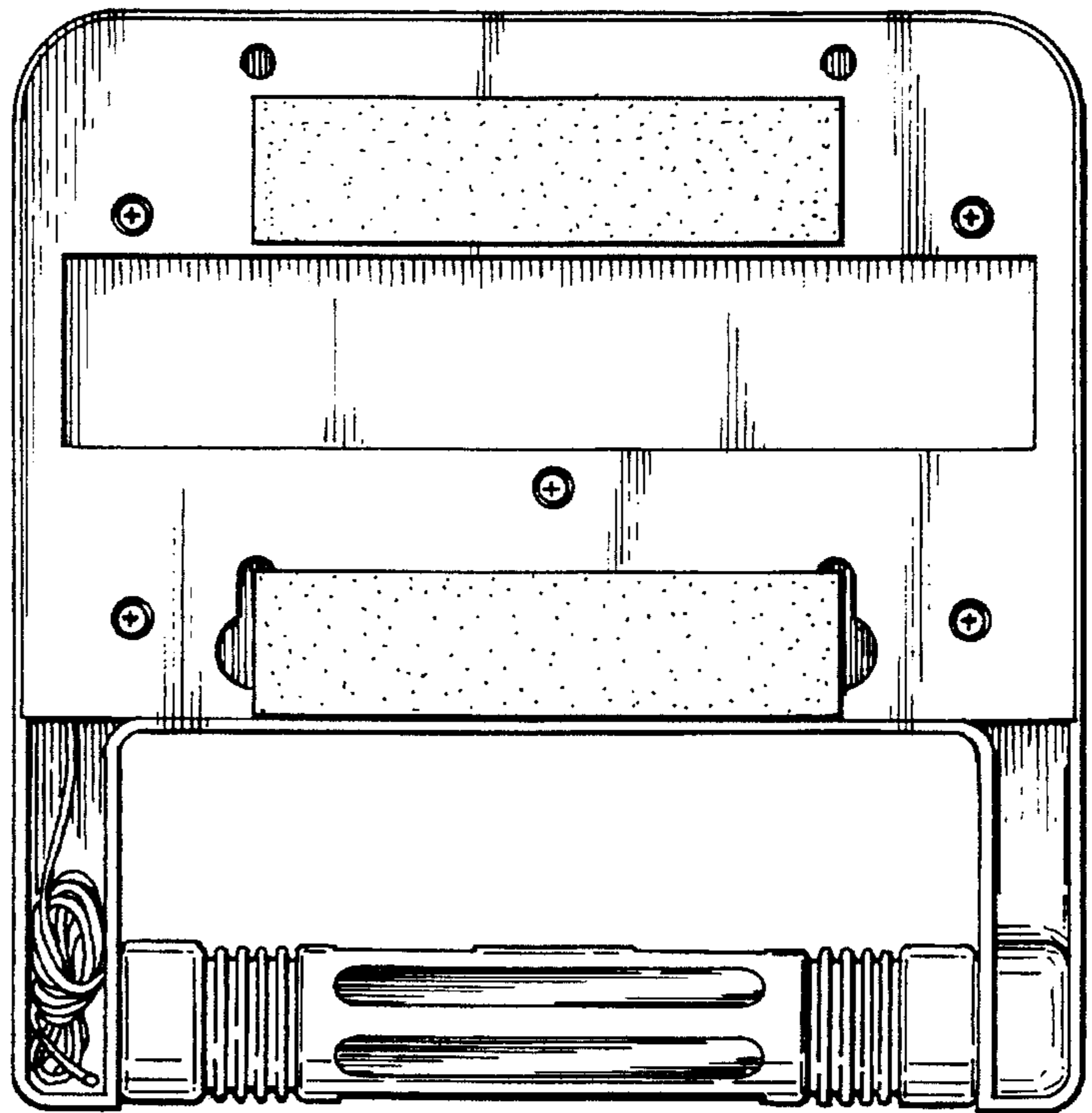


Fig. 3.

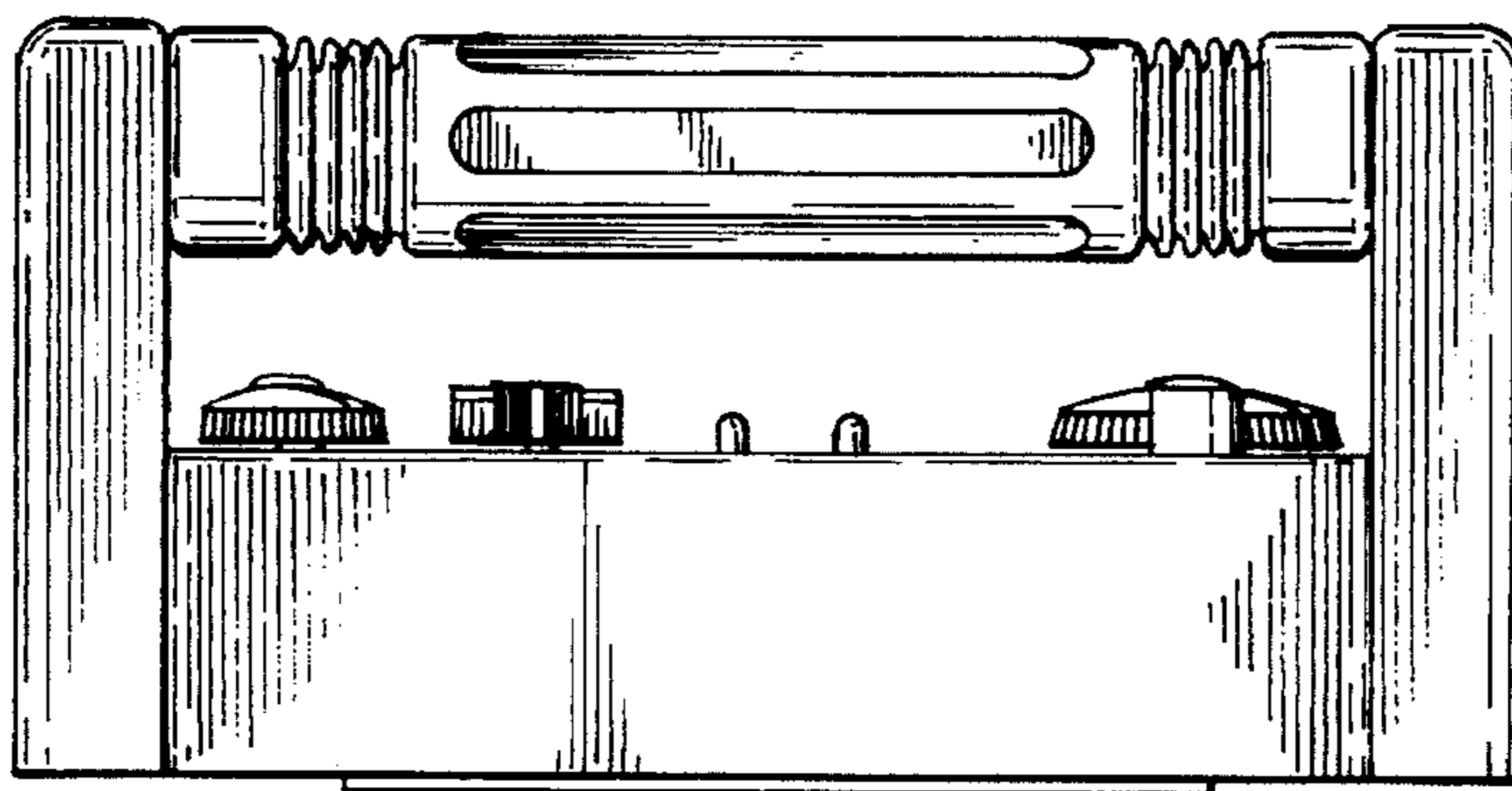


Fig. 4.