



US00D376591S

United States Patent [19]

Drucker et al.

[11] Patent Number: **Des. 376,591**

[45] Date of Patent: ****Dec. 17, 1996**

[54] **FRONT PANEL FOR AN ELECTRONIC CHASSIS**

[75] Inventors: **Marc I. Drucker**, Dallas; **Robert D. King**, Garland; **Douglas N. Laube**, Nevada, all of Tex.

[73] Assignee: **Intecom, Incorporated**, Dallas, Tex.

[**] Term: **14 Years**

[21] Appl. No.: **43,784**

[22] Filed: **Sep. 12, 1995**

[52] U.S. Cl. **D14/115**

[58] Field of Search D14/100, 101, D14/102, 115, 107-109, 257, 258; D13/162, 184, 199, 164, 177; D10/103; 312/223.2; 361/724-728

[56] **References Cited**

U.S. PATENT DOCUMENTS

D. 314,954 2/1991 Welch D14/115

D. 358,134 5/1995 Kimbrough et al. D14/100

Primary Examiner—Freda Nunn
Attorney, Agent, or Firm—Hitt Chwang & Gaines, P.C.

[57] **CLAIM**

The ornamental design for a front panel for an electronic chassis, as shown and described.

DESCRIPTION

FIG. 1 is an isometric view of the front panel for an electronic chassis wherein a chassis is attached and shown in broken lines for illustrative purposes only and forms no part of the claimed design;

FIG. 2 is a front elevational view of the chassis;

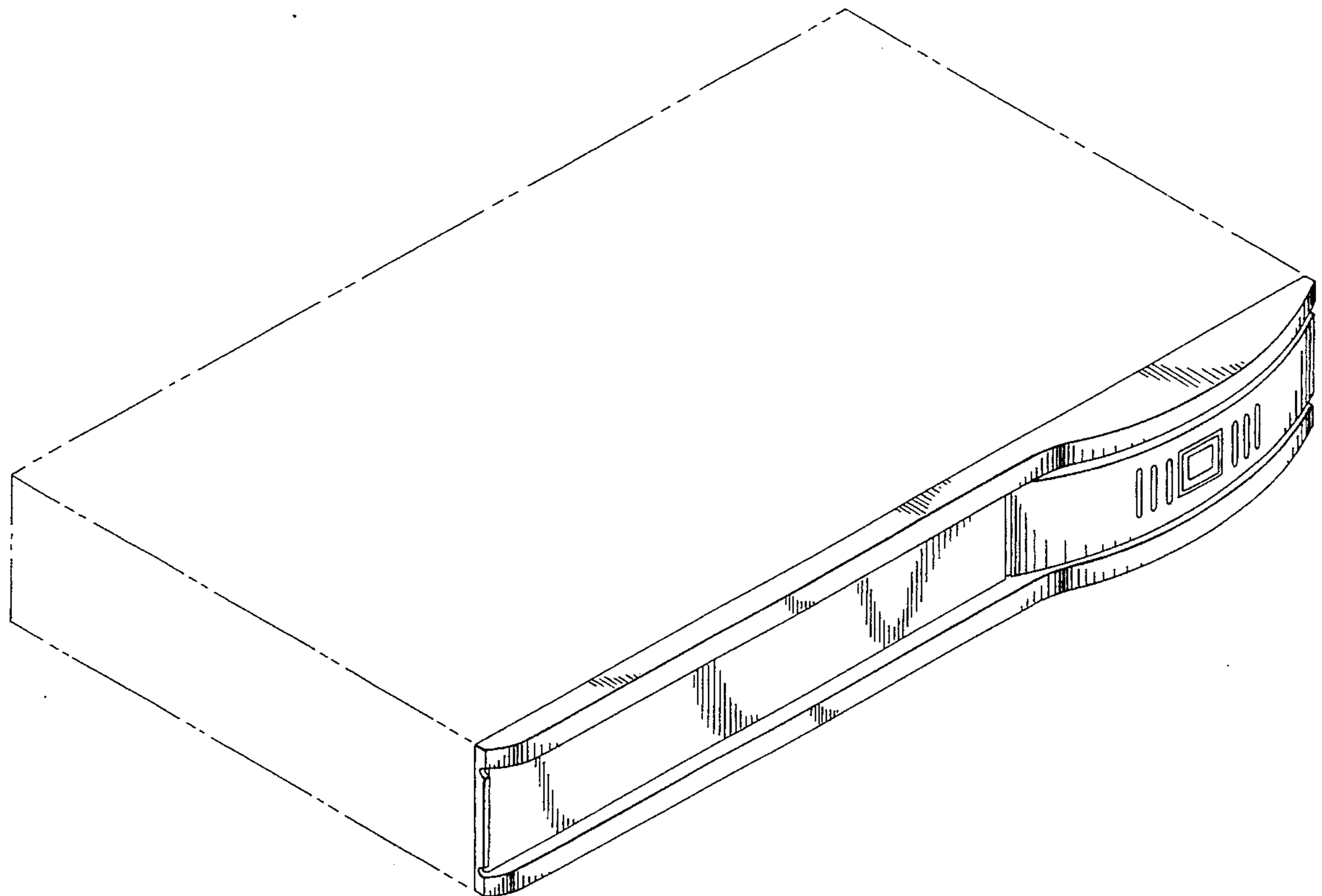
FIG. 3 is a top plan view of the chassis;

FIG. 4 is an bottom plan view of the chassis;

FIG. 5 is a left side elevational view of the chassis; and,

FIG. 6 is a right side elevational view of the chassis.

1 Claim, 2 Drawing Sheets



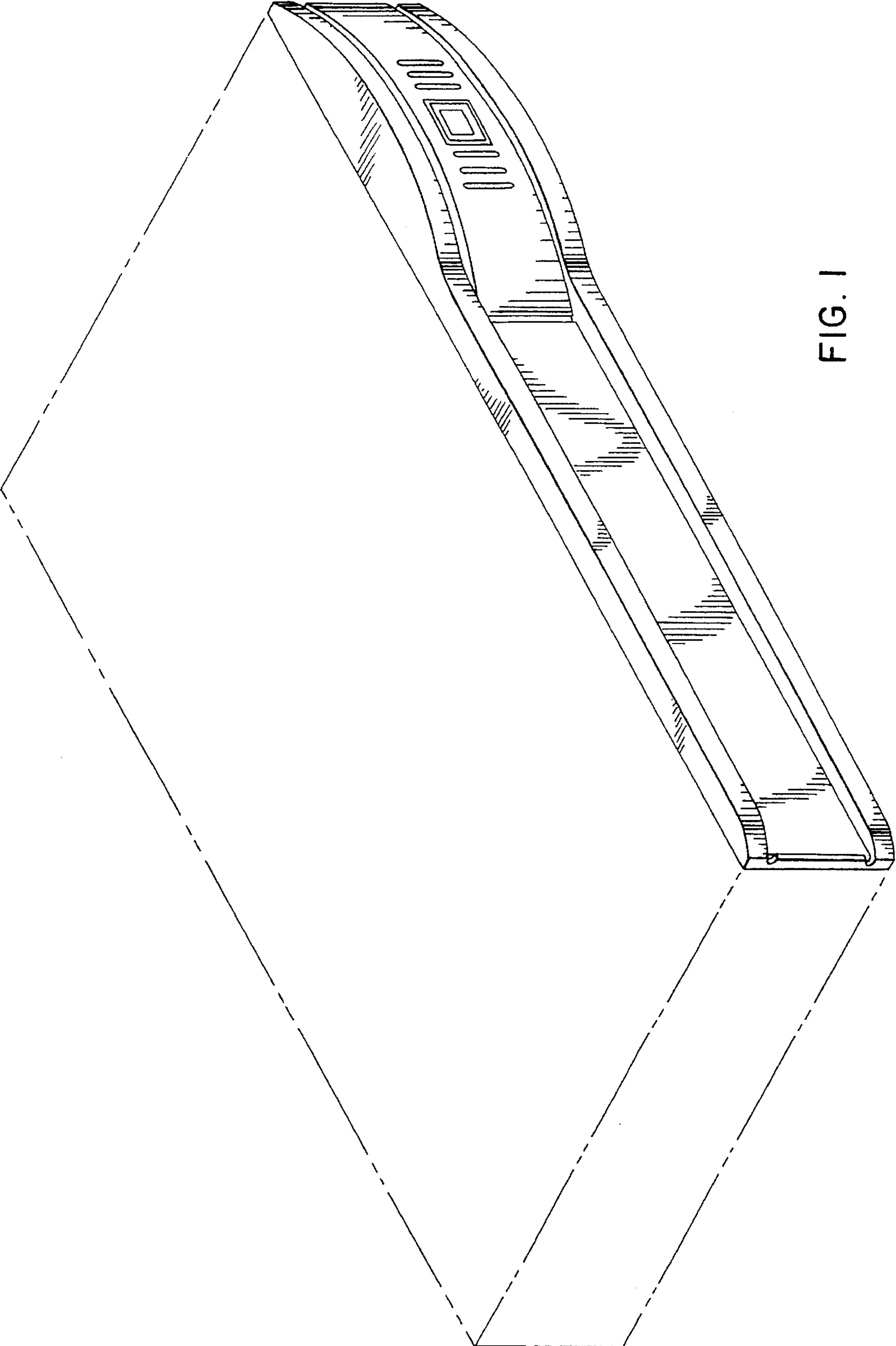


FIG. 1

FIG. 3

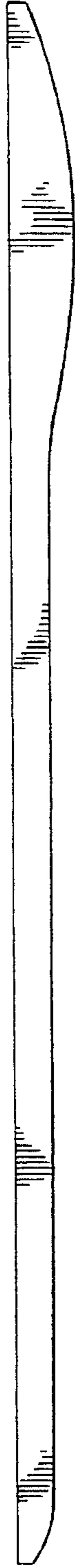


FIG. 5

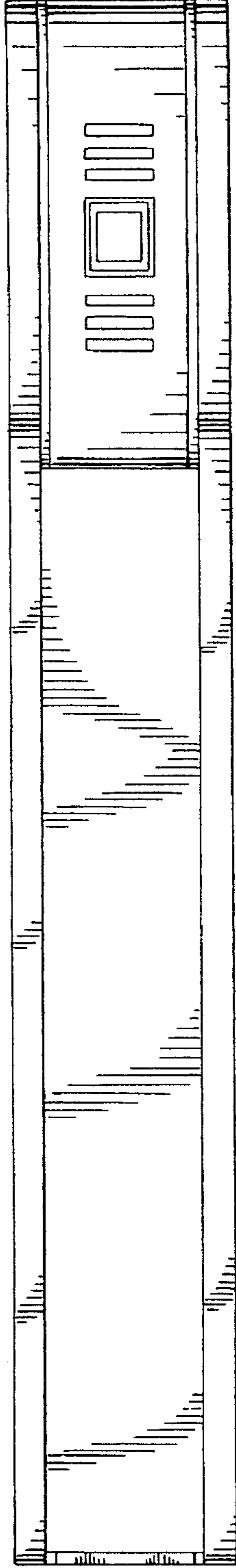


FIG. 2



FIG. 6

FIG. 4

