



US00D376589S

United States Patent [19]

[11] **Patent Number: Des. 376,589**

Cybulski et al.

[45] **Date of Patent: **Dec. 17, 1996**

[54] **WRITE PROTECT SLIDE**

4,860,142	8/1989	Di Gresi	360/133
5,210,671	5/1993	Blackston	360/133
5,331,499	7/1994	Marcusen	360/133

[75] Inventors: **Claude E. Cybulski**, Lake Elmo;
James J. Evanoff, Roseville; **Arthur V. Lang**, Maplewood; **Vern E. Radewald**, Birchwood, all of Minn.; **Dean E. Sitz**; **Matthew J. Schaezner**, both of Wahpeton, N. Dak.

Primary Examiner—M. H. Tung
Attorney, Agent, or Firm—Charles L. Dennis, II

[73] Assignee: **Imation Corp.**, St. Paul, Minn.

[**] Term: **14 Years**

[57] **CLAIM**

The ornamental design for the write protect slide, as shown and described.

[21] Appl. No.: **31,522**

DESCRIPTION

[22] Filed: **Nov. 30, 1994**

[52] **U.S. Cl.** **D14/114**

[58] **Field of Search** D14/114; 360/60, 360/132-3, 137, 135, 97.01-99.12; 206/312, 444, 309-10, 45.23, 472; D6/626-7

FIG. 1 is a three-quarters isometric view of our new design from the front right corner of the slide;
 FIG. 2 is a top plan view;
 FIG. 3 is a rear view, on an enlarged scale;
 FIG. 4 is a left side view;
 FIG. 5 is a front view, on an enlarged scale;
 FIG. 6 is a right side view;
 FIG. 7 is a bottom plan view; and,
 FIG. 8 is a three-quarters perspective view of our new design, on a reduced scale, with a broken line drawing of a portion of a tape cartridge provided for illustrative purposes only and forming no part of the claimed design.

[56] **References Cited**

U.S. PATENT DOCUMENTS

4,649,452	3/1987	Brugman	360/133
4,796,138	1/1989	Ono	360/133
4,860,127	8/1989	Takahashi et al.	360/133 X

1 Claim, 2 Drawing Sheets

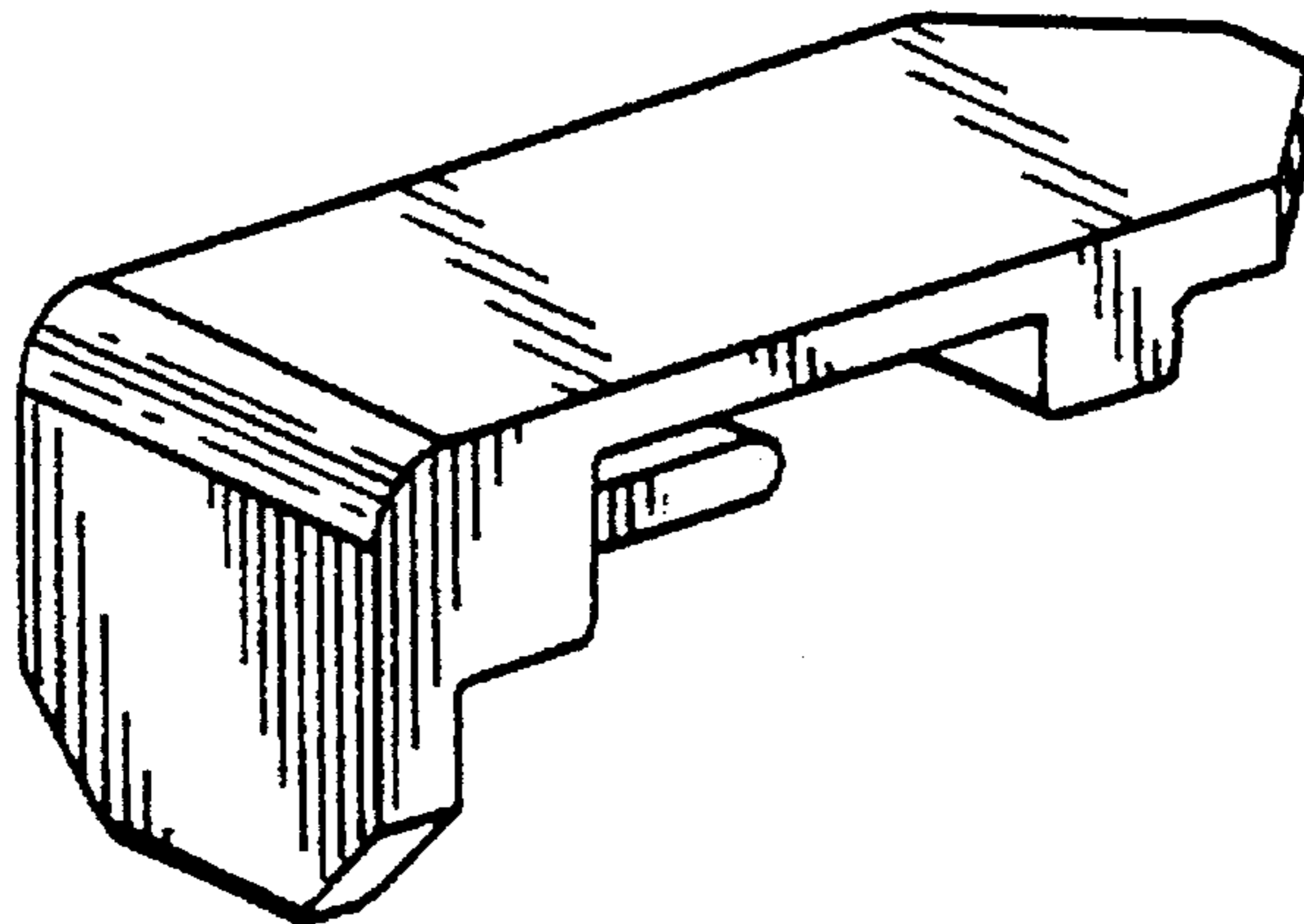


Fig.2

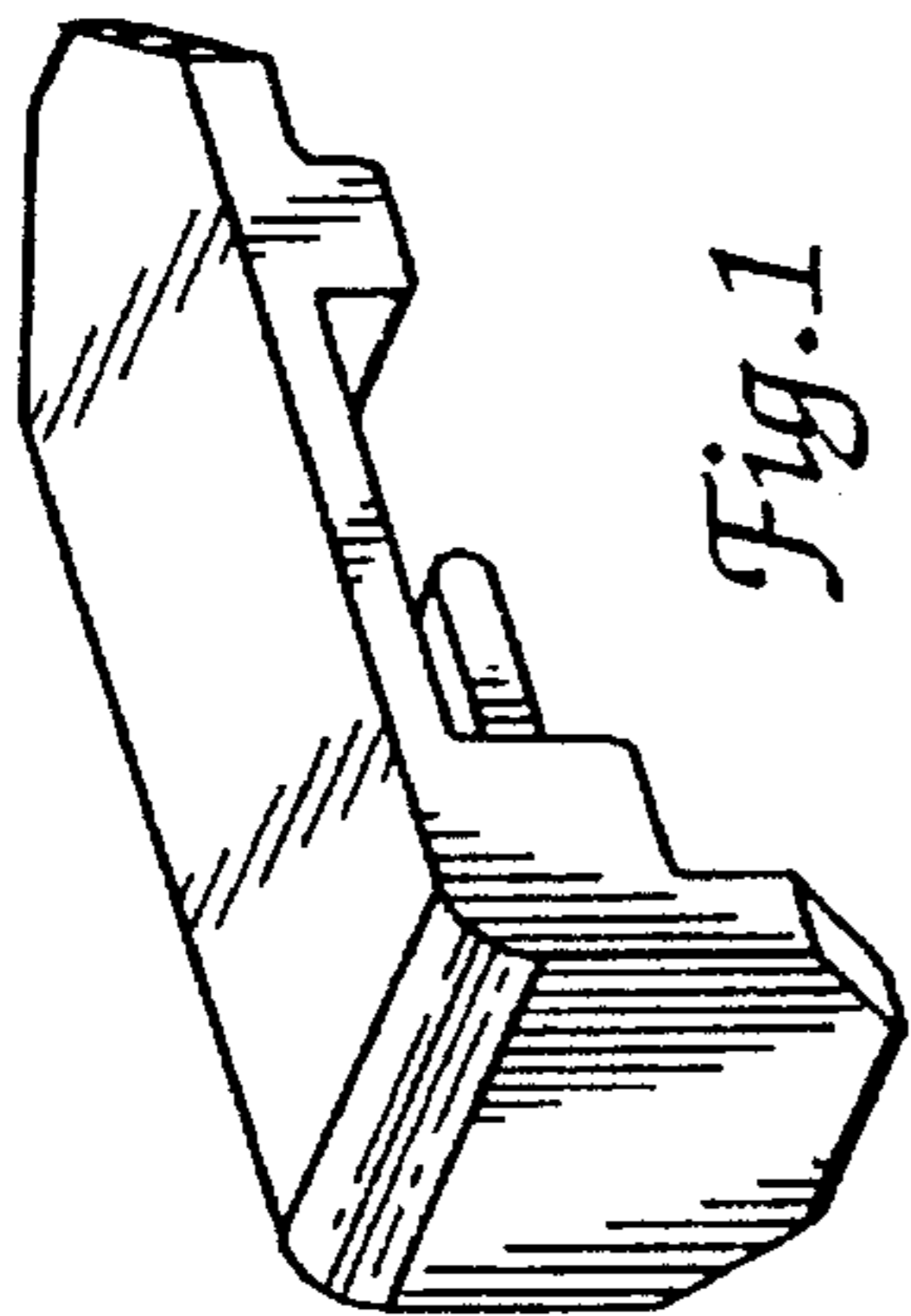
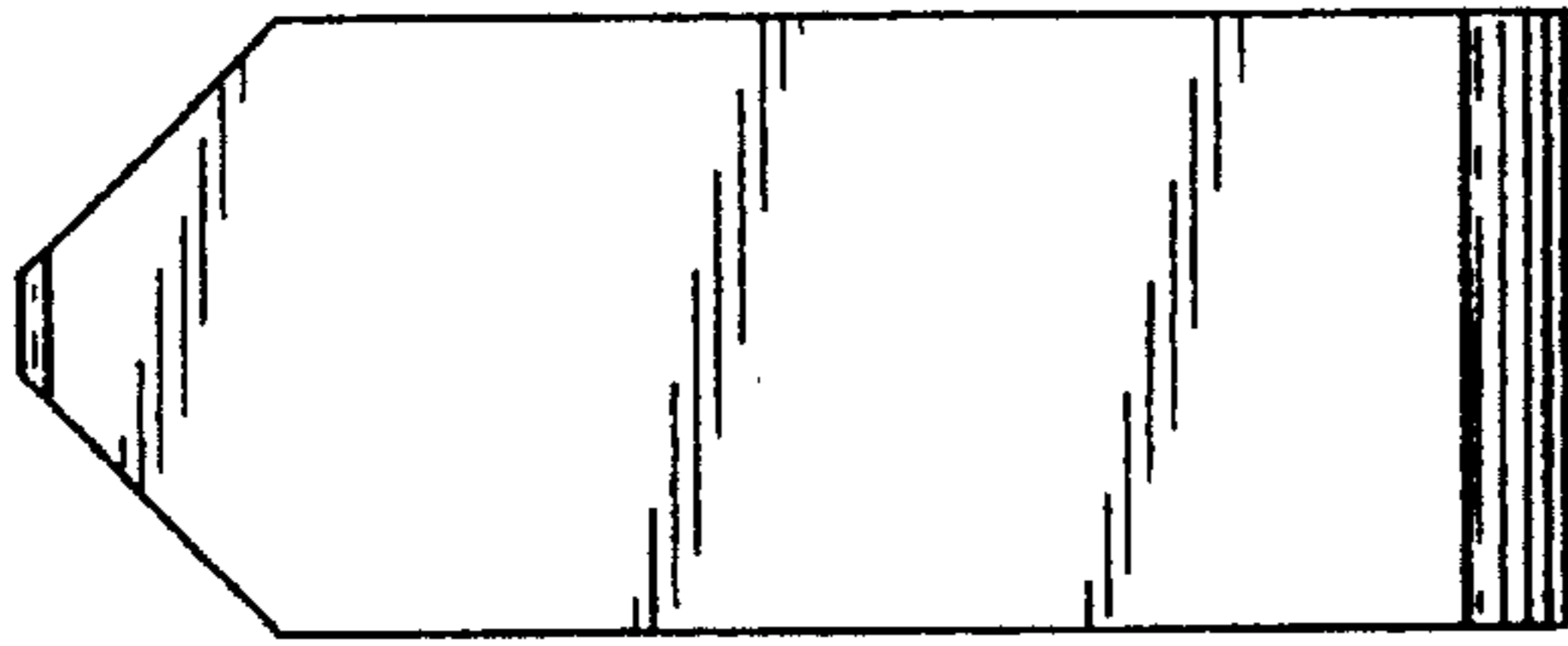


Fig.1

Fig.3

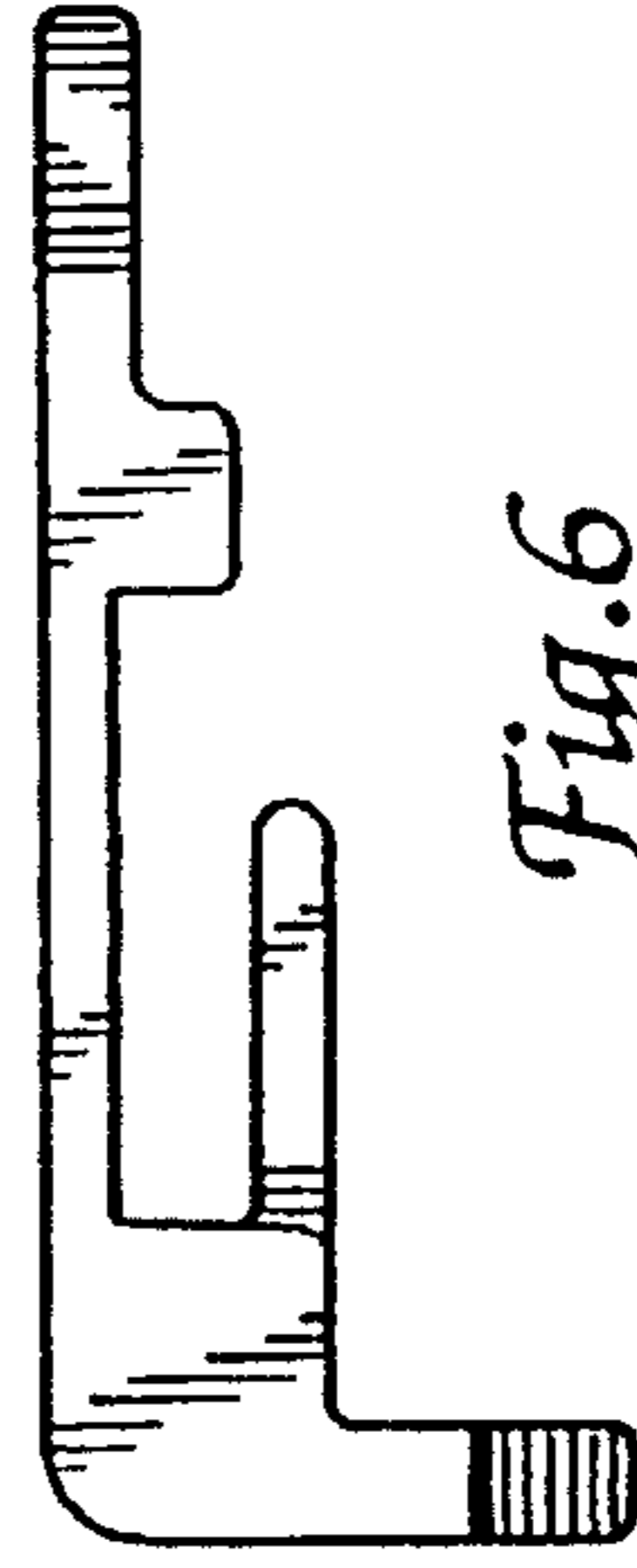
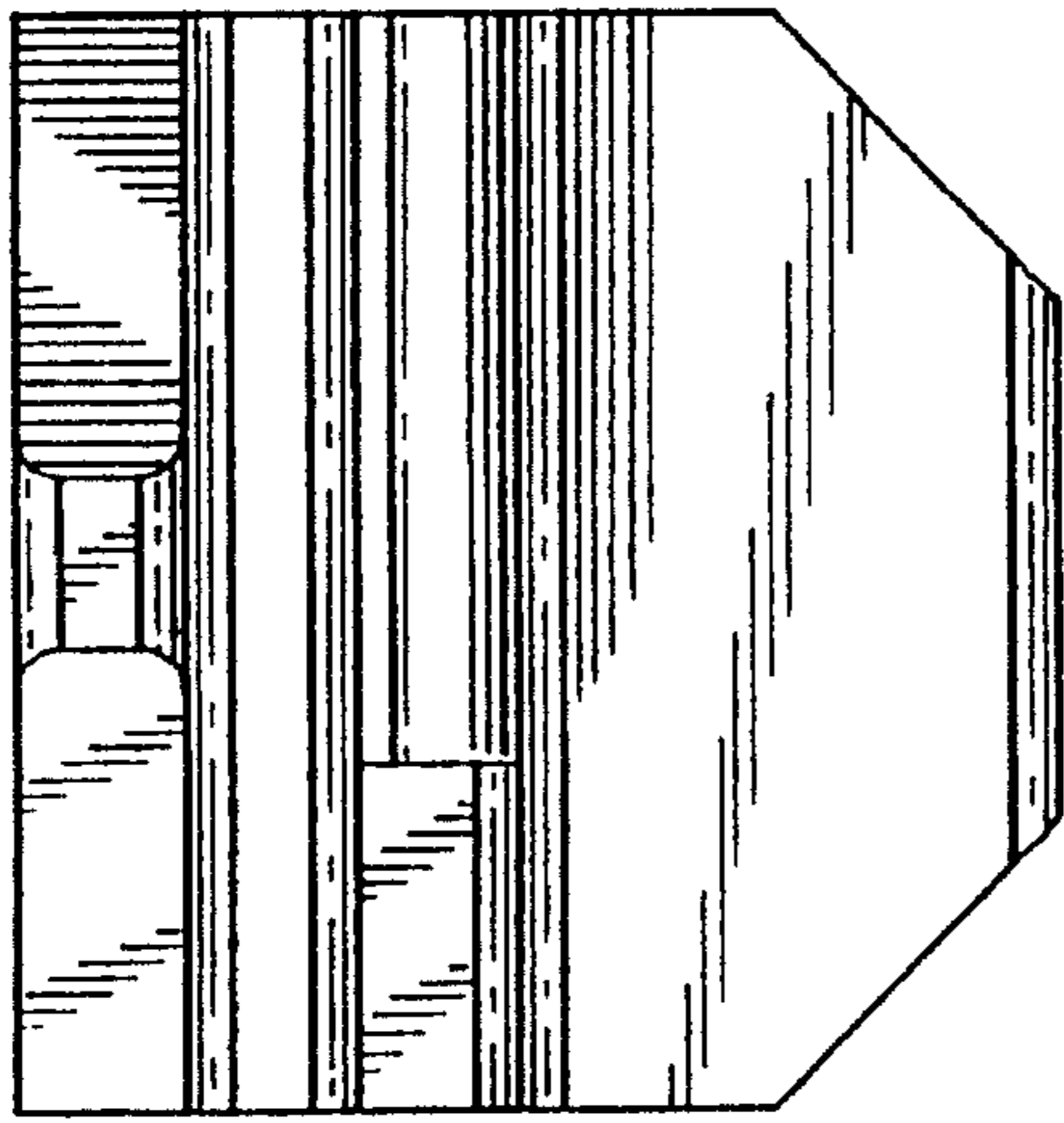


Fig.6

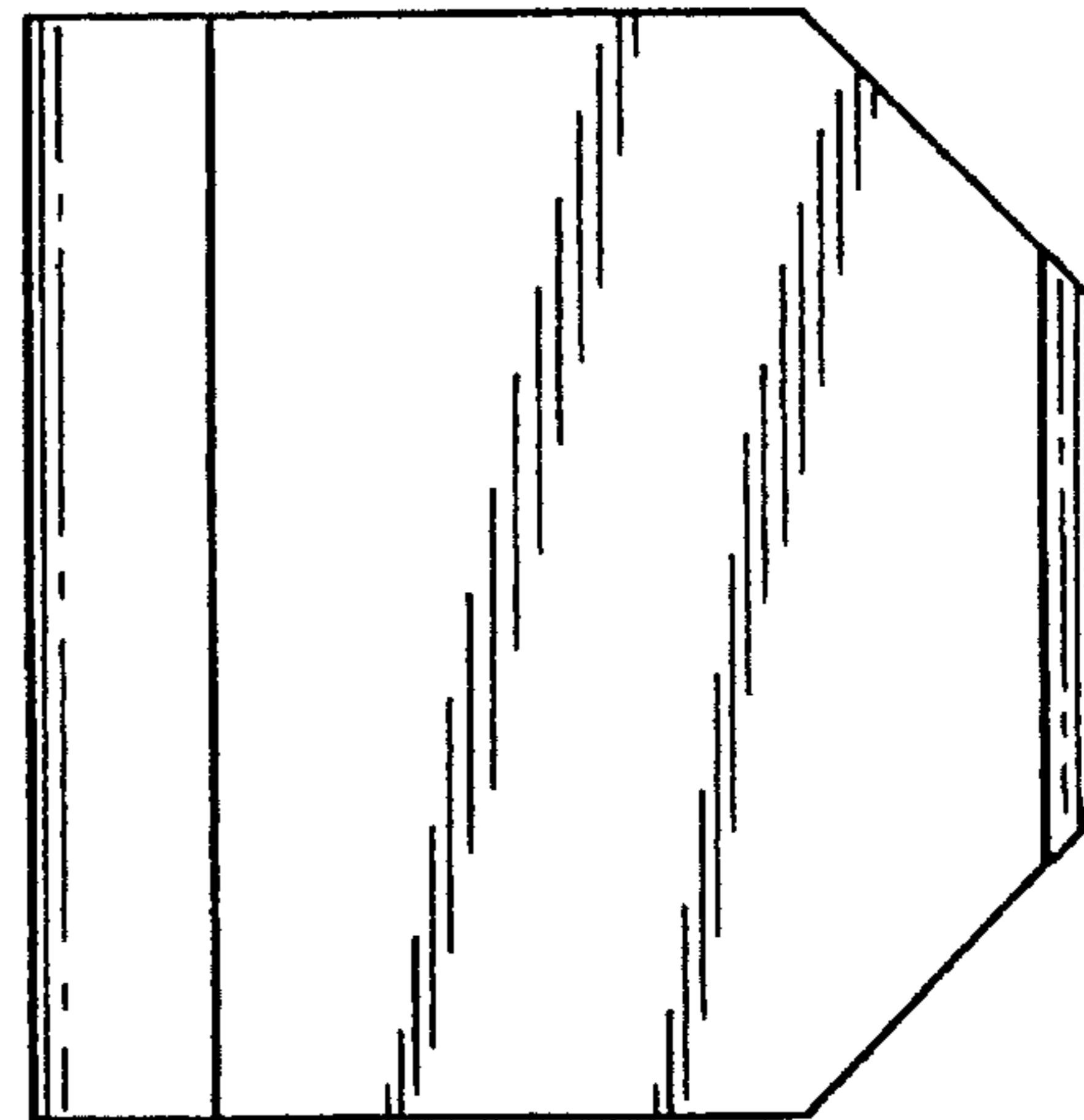


Fig.5

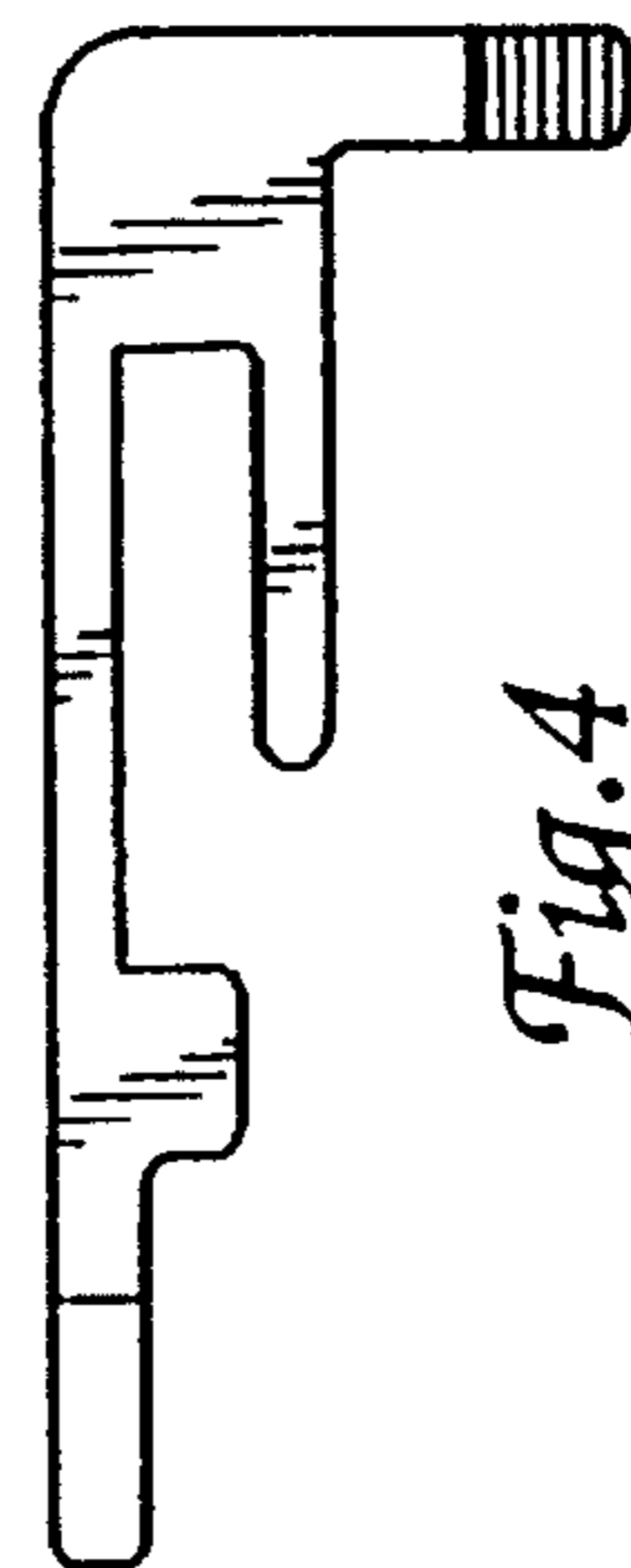


Fig.4

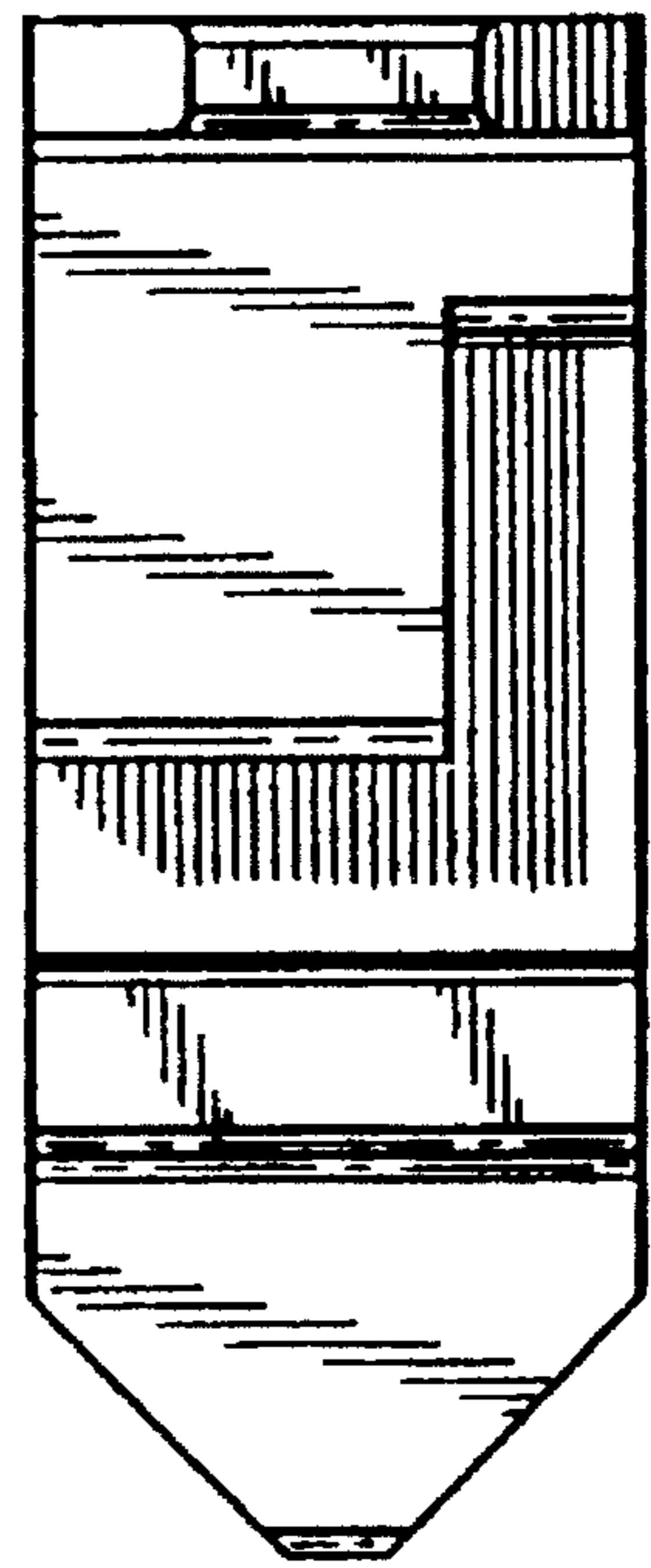


Fig. 7

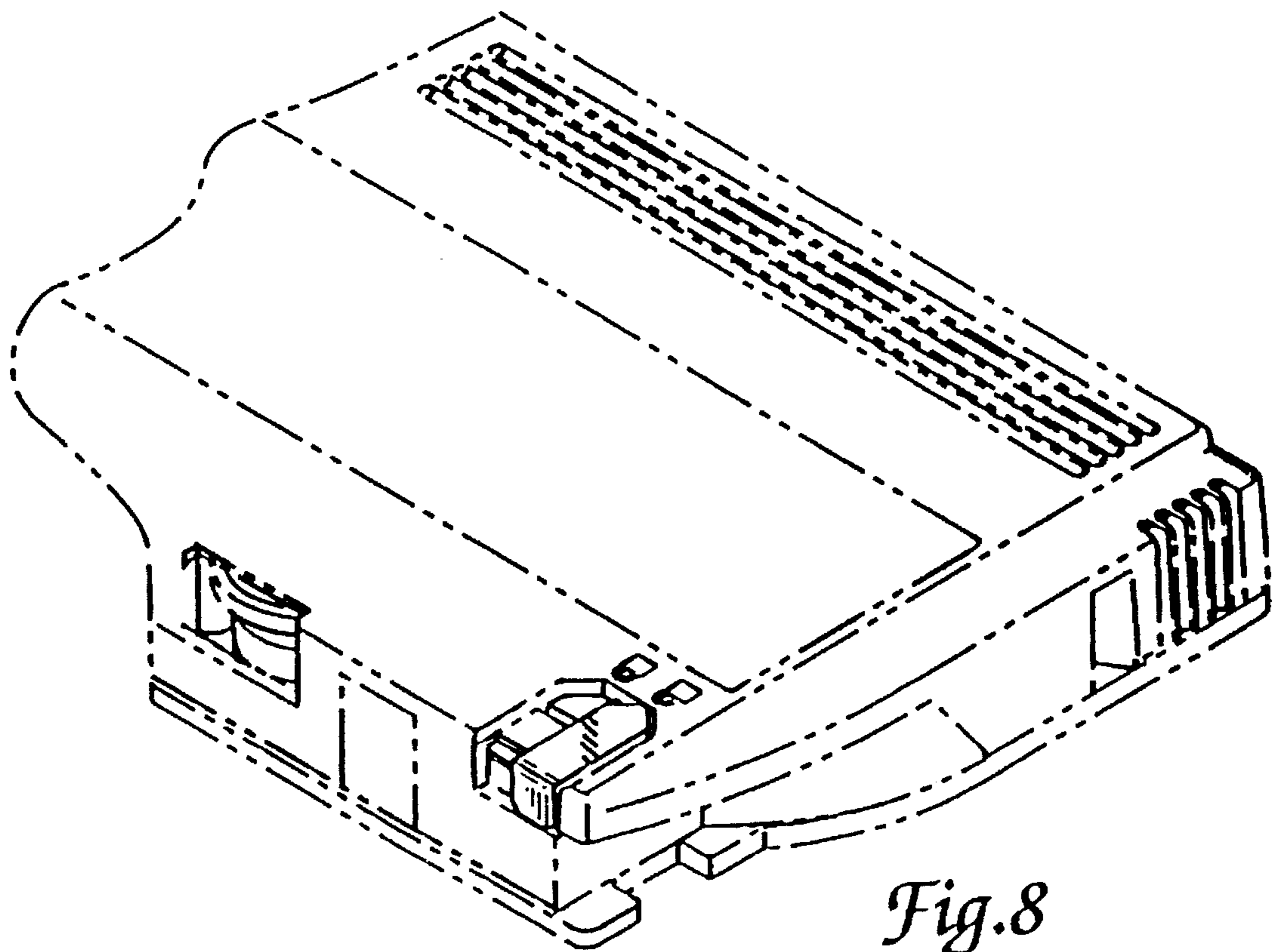


Fig. 8