



US00D376587S

United States Patent [19]

[11] Patent Number: **Des. 376,587**

Nakada

[45] Date of Patent: ****Dec. 17, 1996**

[54] **MAGNETIC DISK DRIVE UNIT FOR A COMPUTER SYSTEM**

D. 354,482 1/1995 Matsumoto D14/109

[75] Inventor: **Kazuo Nakada**, Sagamihara, Japan

Primary Examiner—Freda Nunn
Attorney, Agent, or Firm—Paik Saber

[73] Assignee: **International Business Machines Corporation**, Armonk, N.Y.

[57] **CLAIM**

[**] Term: **14 Years**

The ornamental design for a magnetic disk drive unit for a computer system, as shown and described.

[21] Appl. No.: **34,594**

DESCRIPTION

[22] Filed: **Dec. 8, 1994**

FIG. 1 is a perspective view of the magnetic disk drive unit in a lying posture, showing my new design;

[52] U.S. Cl. **D14/109**

FIG. 2 is a top plan view thereof;

[58] Field of Search D14/100, 102, D14/107-109; D13/162, 184, 199; 360/97.01, 97.04, 98.01, 99.01, 99.12; 361/694

FIG. 3 is a front elevational view thereof;

FIG. 4 is a bottom plan view thereof;

FIG. 5 is a rear elevational view thereof;

FIG. 6 is a left side elevational view thereof; and,

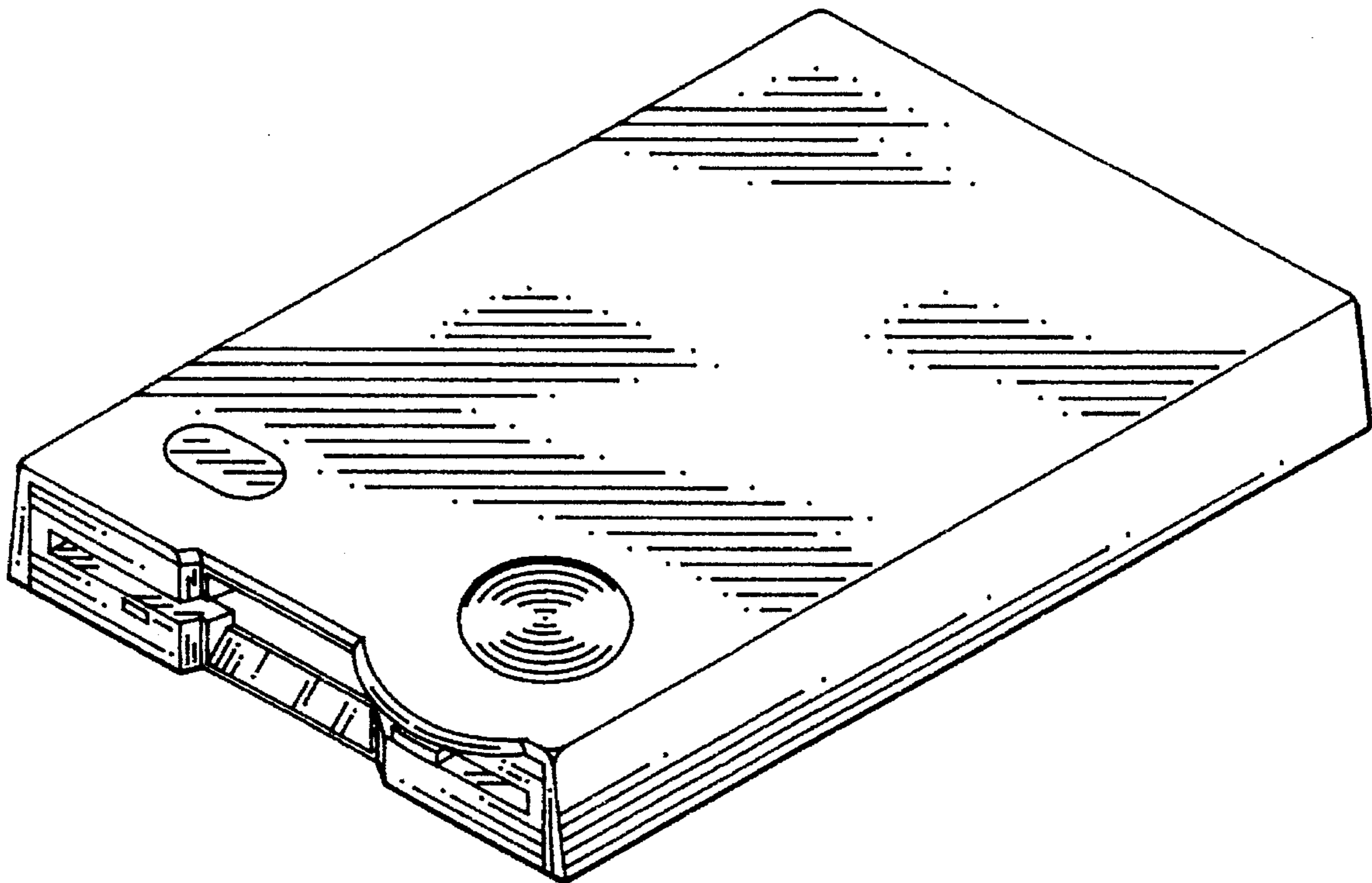
FIG. 7 is a right side elevational view thereof.

[56] **References Cited**

U.S. PATENT DOCUMENTS

D. 344,270 2/1994 Matsumoto et al. D14/109

1 Claim, 4 Drawing Sheets



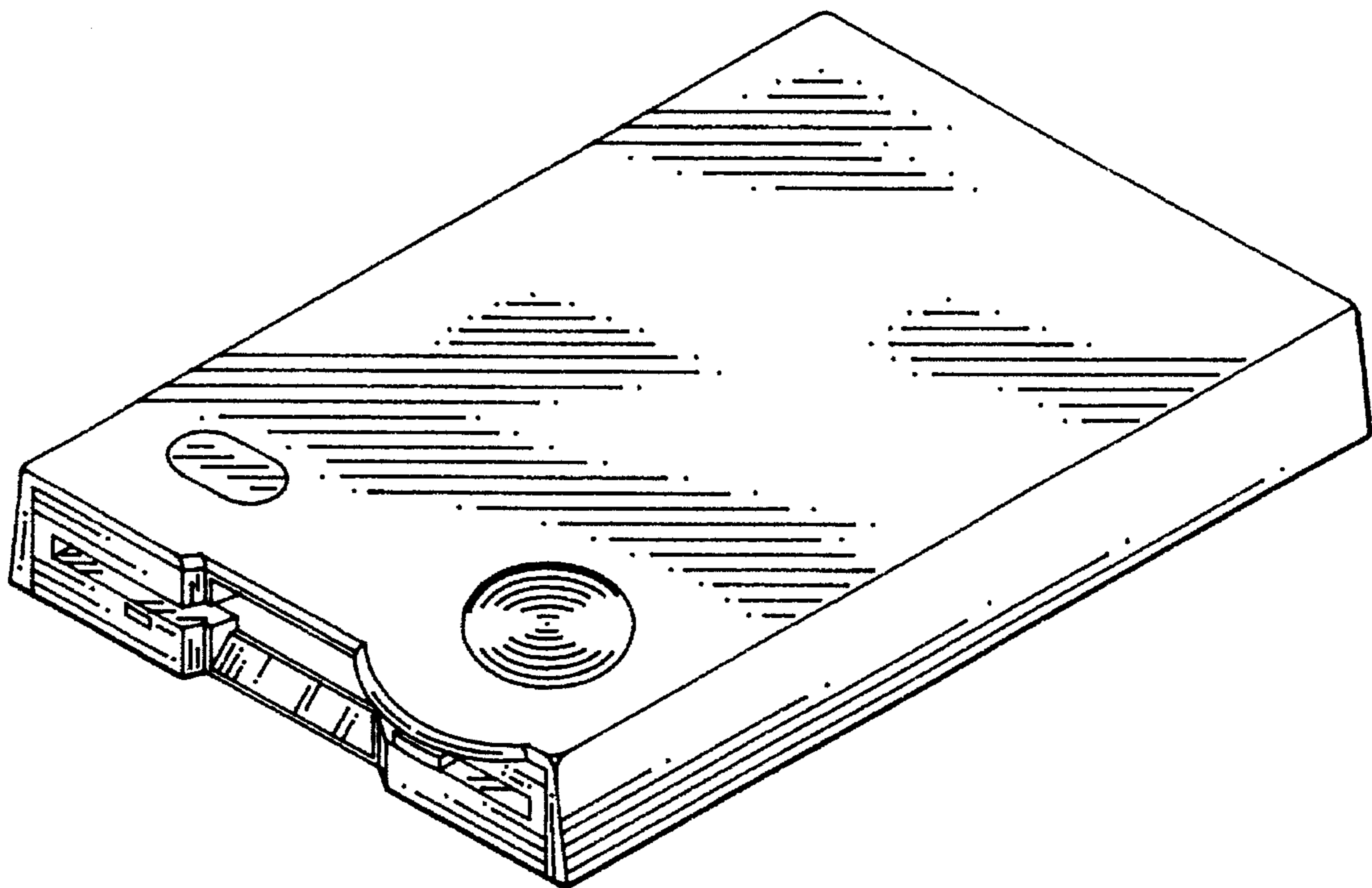


FIG. 1

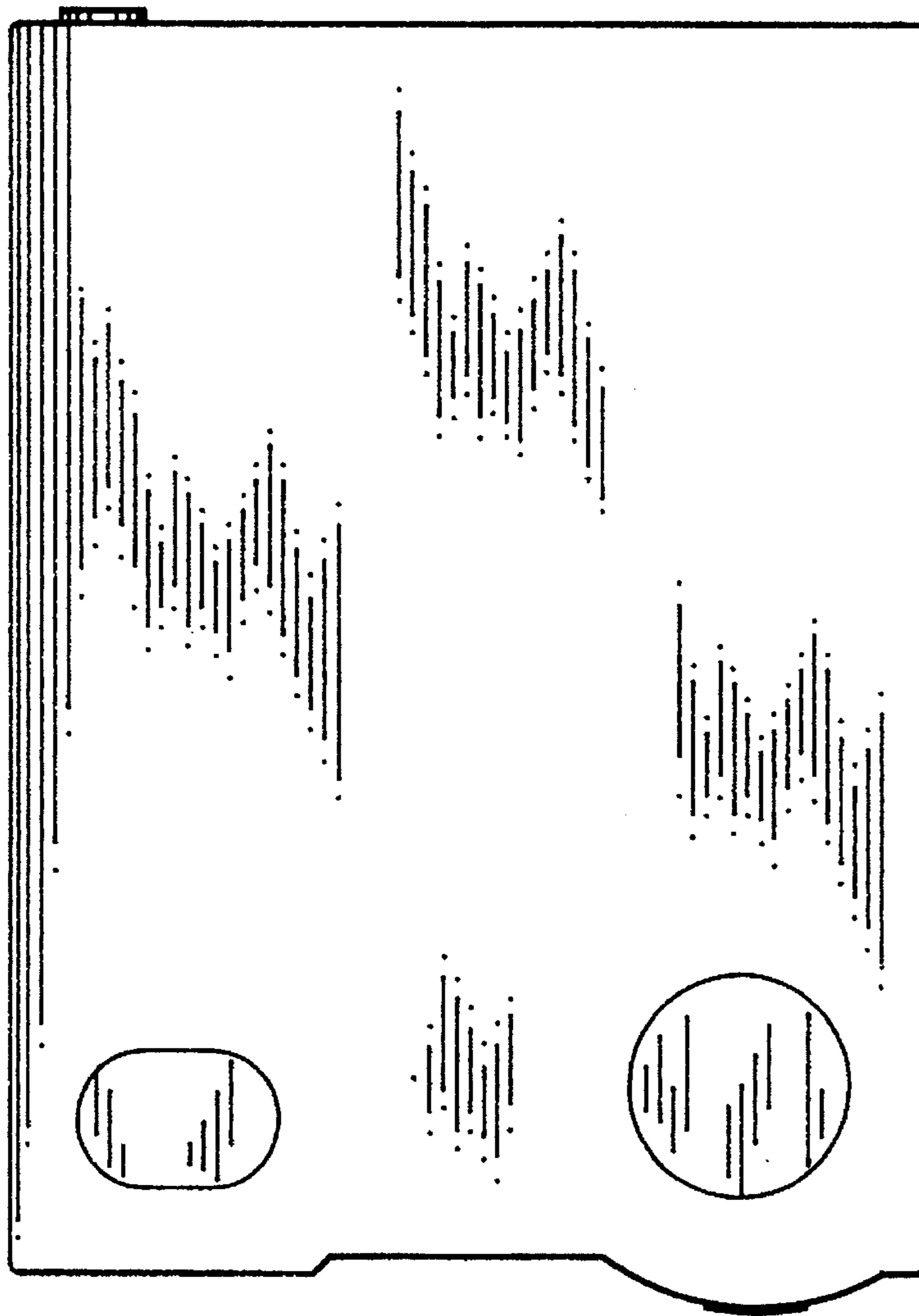


FIG. 2

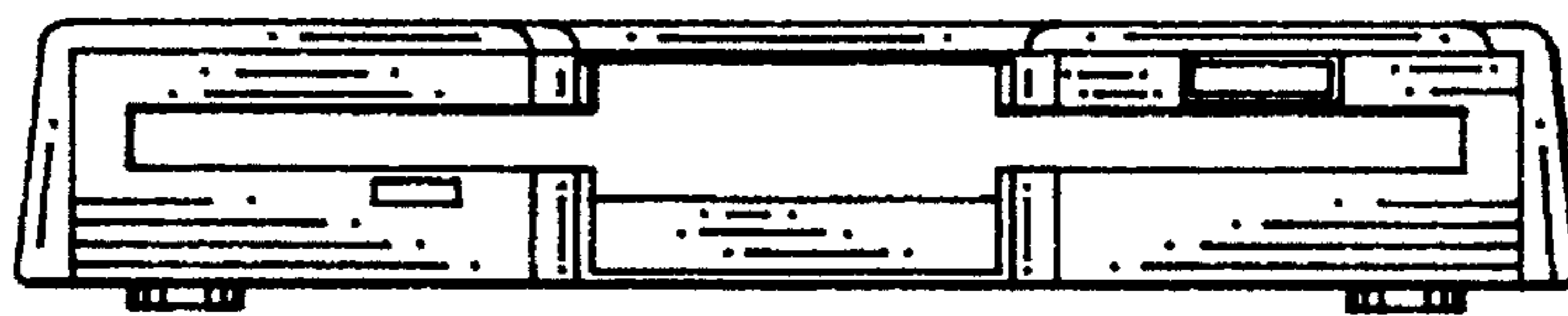


FIG. 3

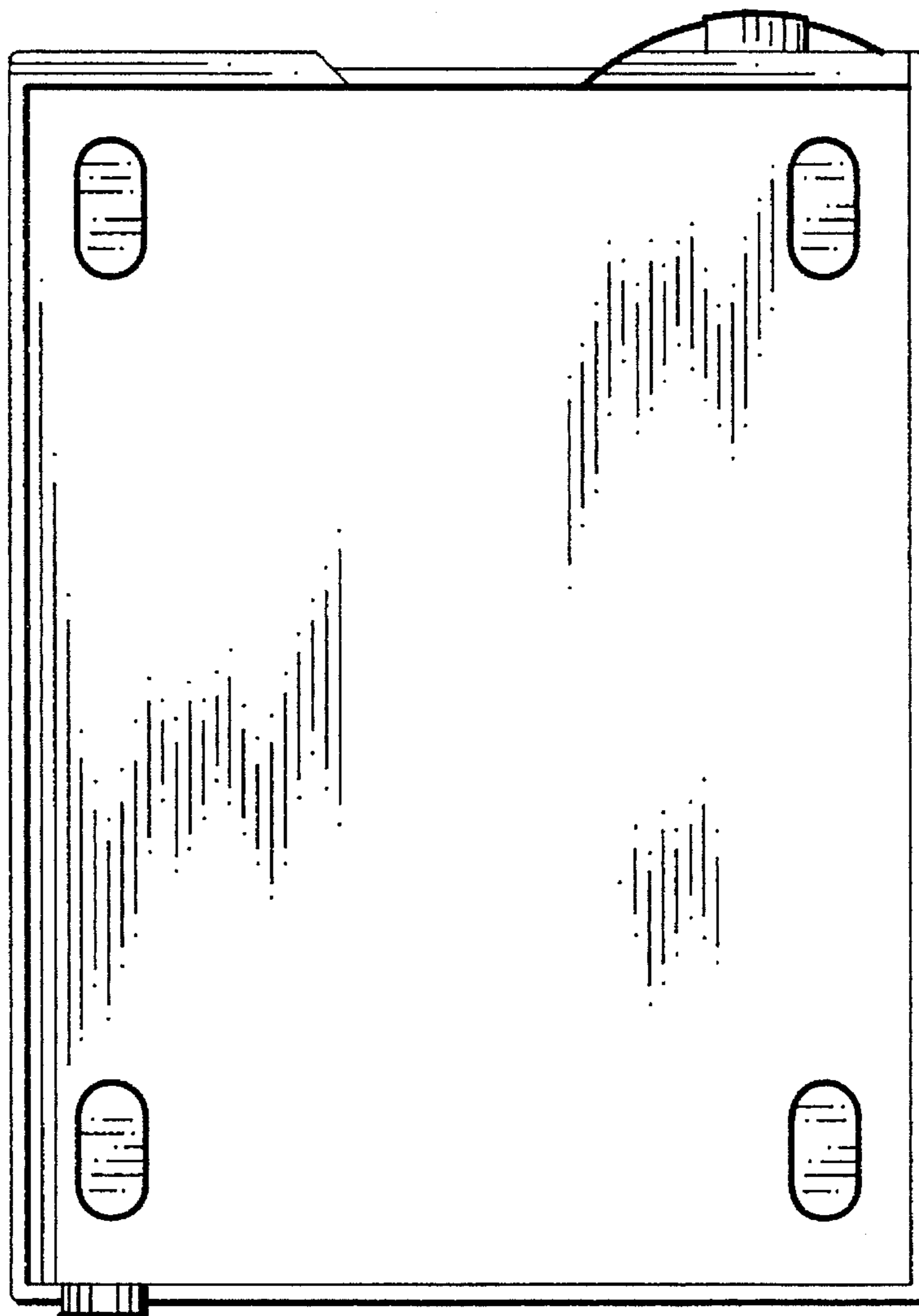


FIG. 4

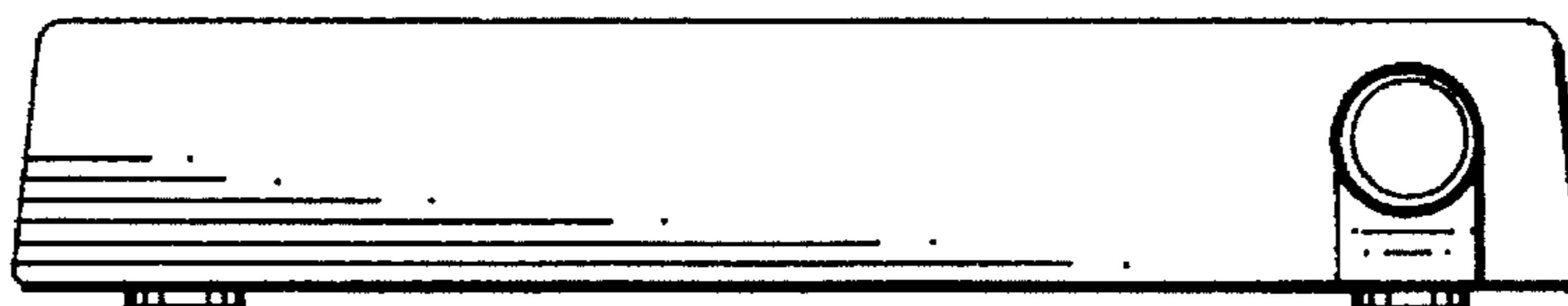


FIG. 5

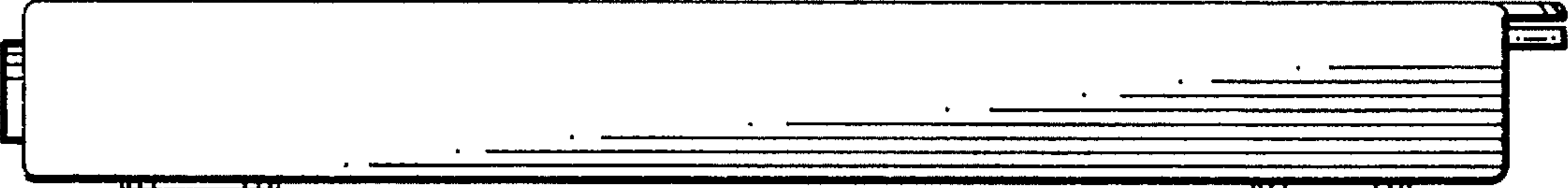


FIG. 6

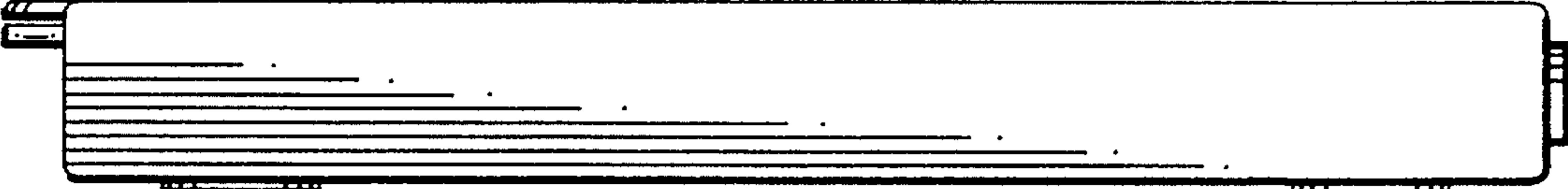


FIG. 7