



US00D376586S

United States Patent [19]

Shinano

[11] **Patent Number: Des. 376,586**

[45] **Date of Patent: **Dec. 17, 1996**

[54] **IMAGE INPUTTING DEVICE**

[75] Inventor: **Toru Shinano**, Yokohama, Japan

[73] Assignee: **Canon Kabushiki Kaisha**, Tokyo, Japan

[**] Term: **14 Years**

[21] Appl. No.: **43,253**

[22] Filed: **Aug. 30, 1995**

[30] **Foreign Application Priority Data**

Mar. 2, 1995 [JP] Japan 7-5720

[52] **U.S. Cl.** **D14/107; D14/227; D16/232**

[58] **Field of Search** D14/100, 107, D14/105, 225-229; D16/208, 214, 223, 232; D18/36, 37, 39; 250/566, 568, 569; 235/454, 462, 380, 470, 382, 382.5, 476, 482, 483, 441; 348/373-376; 358/408, 472, 474, 497, 228, 254, 229, 249

[56] **References Cited**

U.S. PATENT DOCUMENTS

D. 305,228 12/1989 Allgeier D14/107

D. 306,435 3/1990 Krichever et al. D14/107
D. 364,388 11/1995 Miyahara D14/107

Primary Examiner—Freda Nunn
Attorney, Agent, or Firm—Fitzpatrick, Cella, Harper & Scinto

[57] **CLAIM**

The ornamental design for an image inputting device, as shown and described.

DESCRIPTION

FIG. 1 is a front elevational view of an image inputting device showing my new design;
FIG. 2 is a rear elevational view thereof;
FIG. 3 is a top plan view thereof;
FIG. 4 is a bottom plan view thereof;
FIG. 5 is a left side elevational view thereof;
FIG. 6 is a right side elevational view thereof; and,
FIG. 7 is a perspective view thereof.

1 Claim, 5 Drawing Sheets

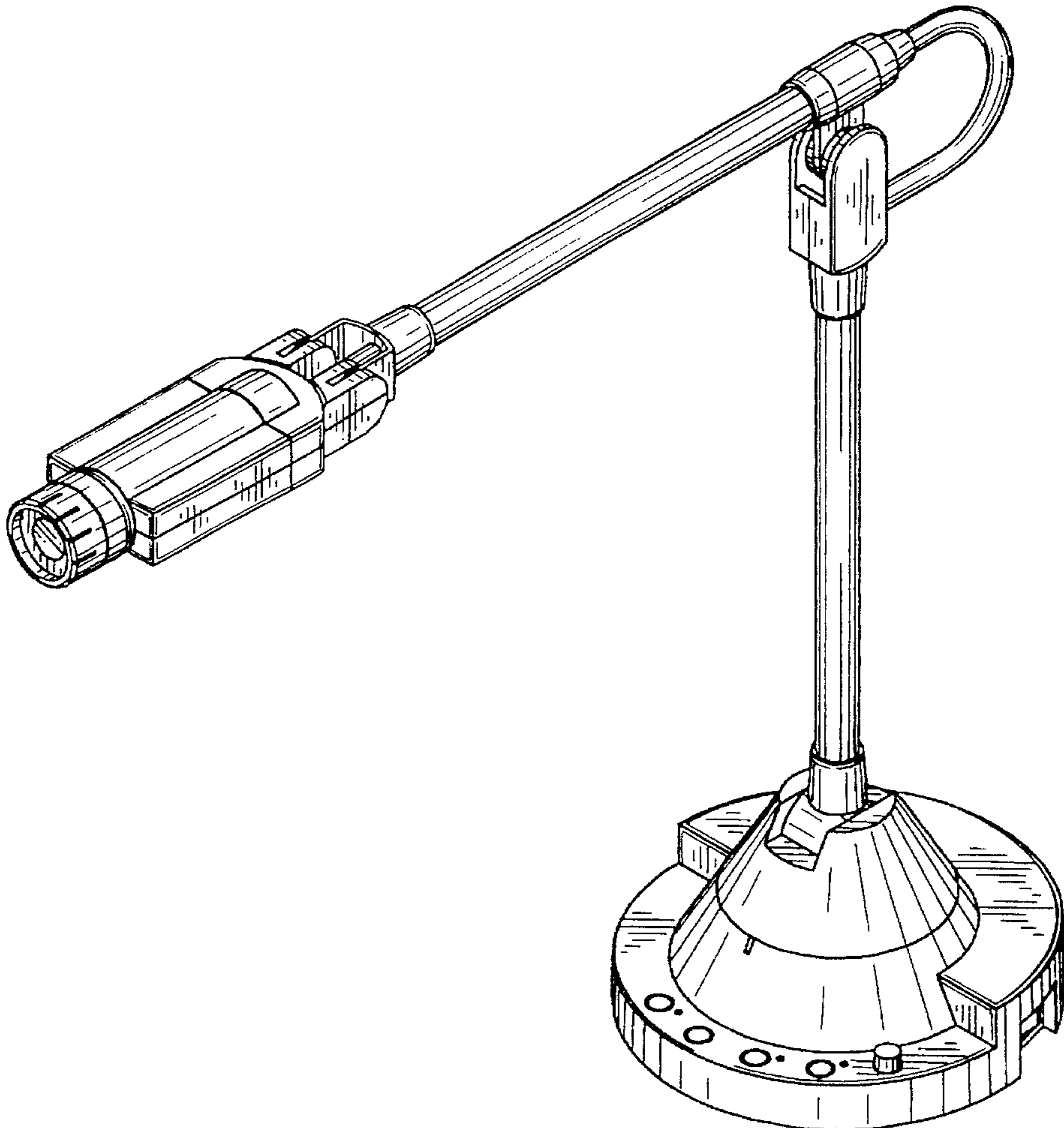


FIG. 1

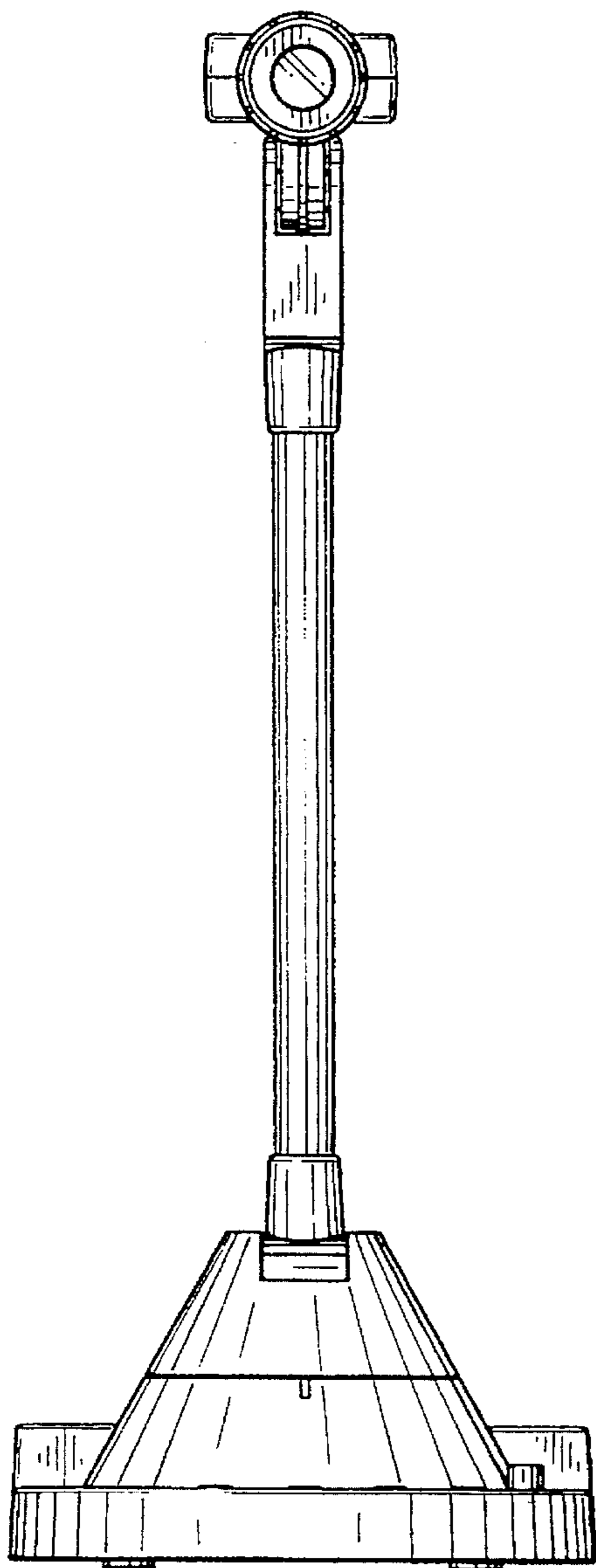


FIG. 2

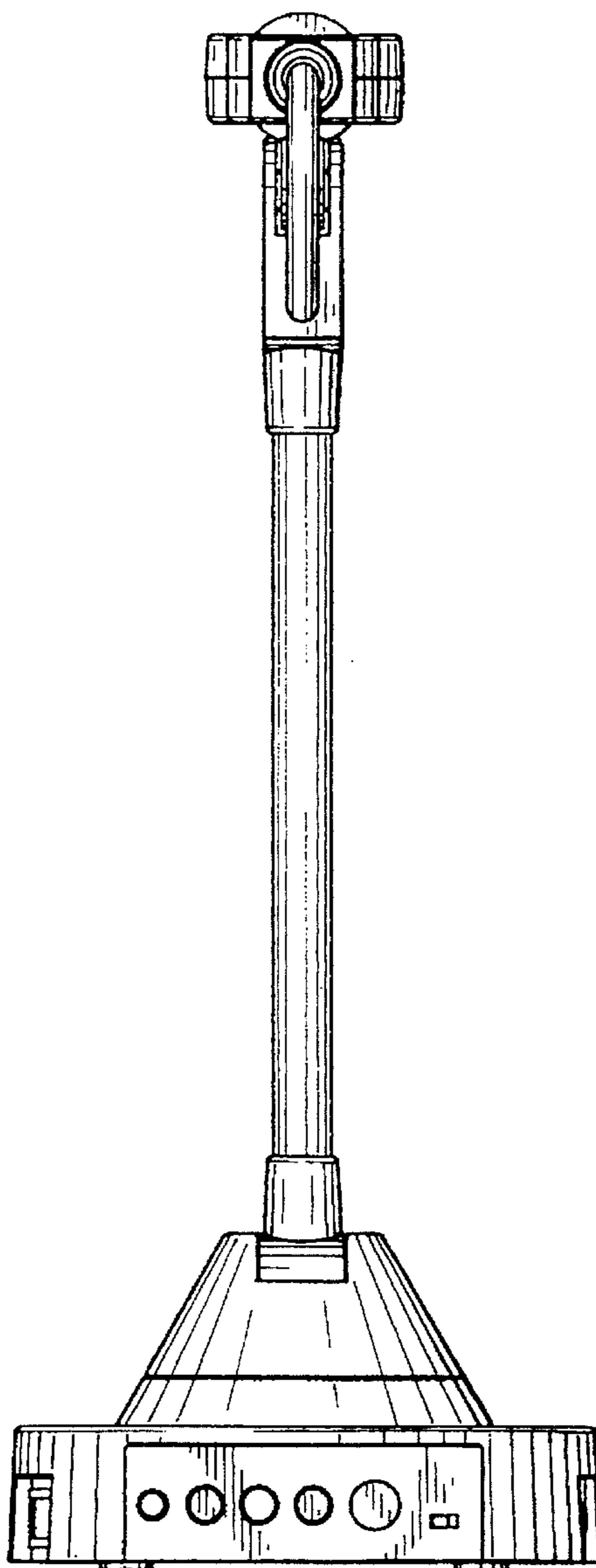


FIG. 3

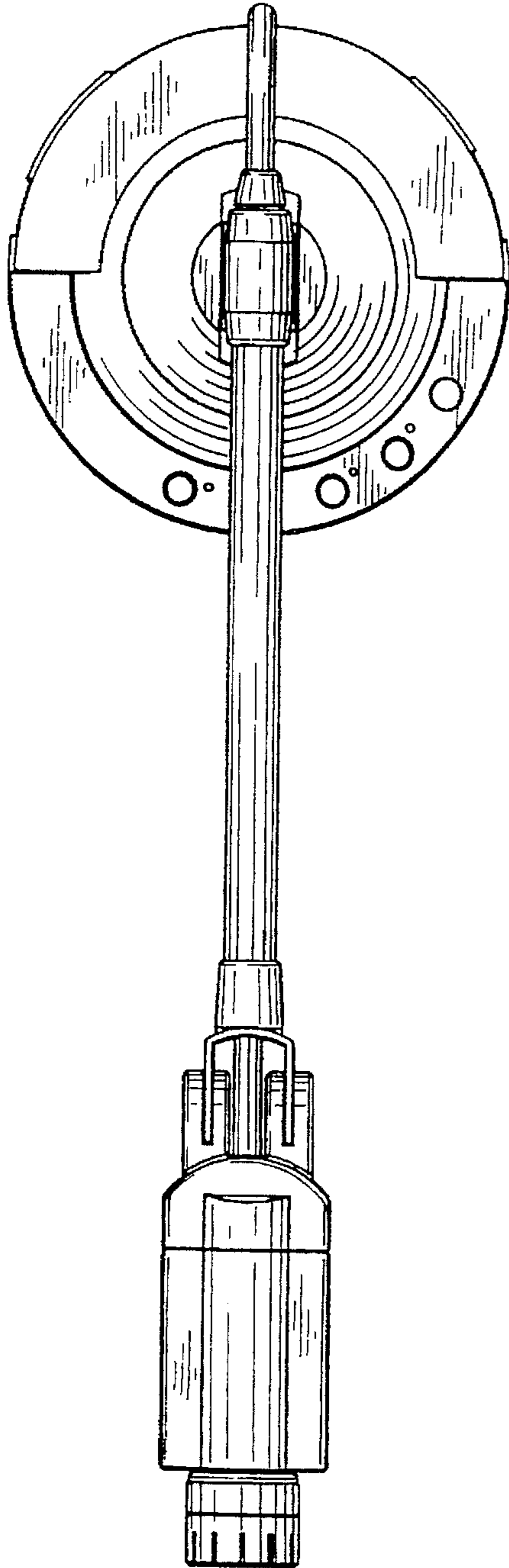


FIG. 4

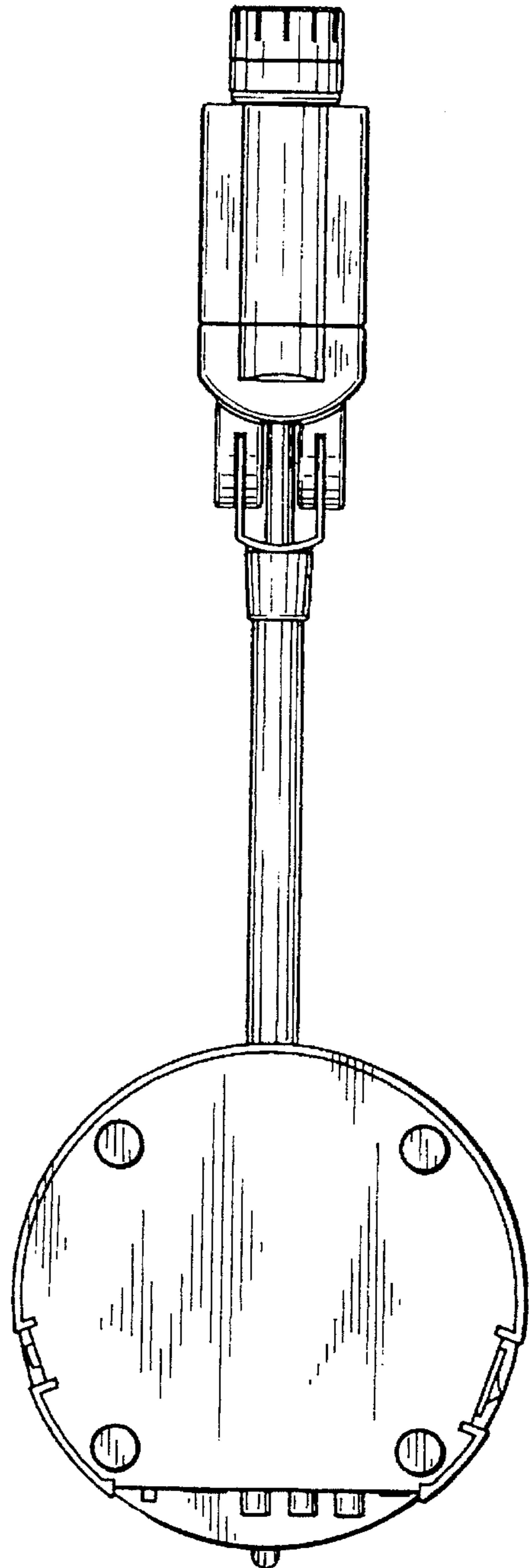


FIG. 5

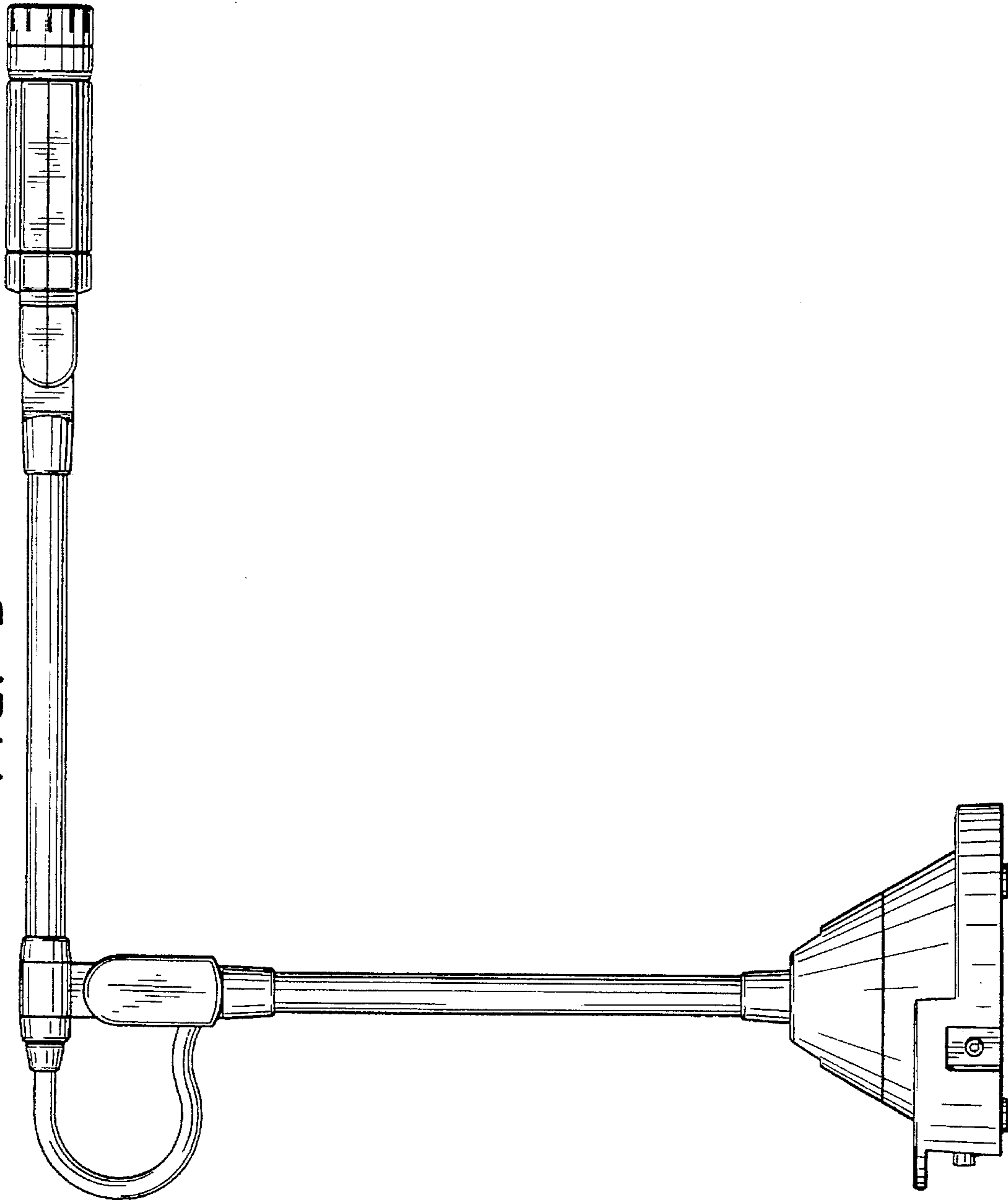


FIG. 6

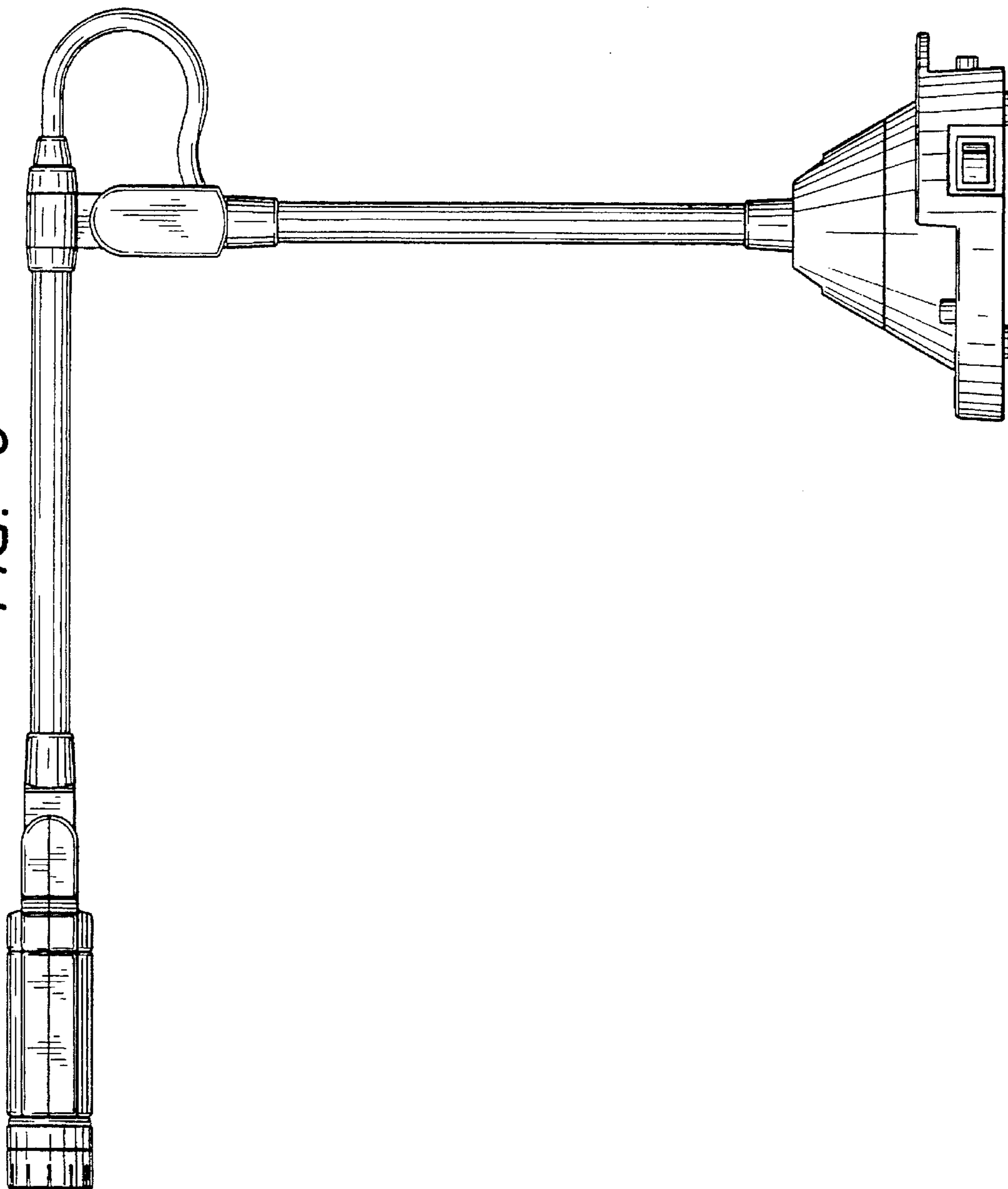


FIG. 7

