



US00D376585S

United States Patent [19]

[11] Patent Number: **Des. 376,585**

Wathen et al.

[45] Date of Patent: ****Dec. 17, 1996**

[54] **PORTABLE COMPUTER DOCKING STATION**

D. 361,324 8/1995 Rogers D14/107
D. 361,758 8/1995 Youens et al. D14/107
5,052,943 10/1991 Davis D14/114 X

[75] Inventors: **David T. Wathen**, Woodland Hills;
Gregory J. Pettit; **Robert F. Swet**,
both of Camarillo, all of Calif.

Primary Examiner—Freda Nunn
Attorney, Agent, or Firm—Harry M. Fleck

[73] Assignee: **Harris Corporation**, Melbourne, Fla.

[57] **CLAIM**

[**] Term: **14 Years**

The ornamental design for a portable computer docking station, as shown.

[21] Appl. No.: **36,450**

DESCRIPTION

[22] Filed: **Mar. 20, 1995**

FIG. 1 is a front end and right side perspective view of the portable computer showing our new design;
FIG. 2 is a rear end and left side perspective view;
FIG. 3 is a top plan view;
FIG. 4 is a bottom plan view;
FIG. 5 is an elevational view of the left side;
FIG. 6 is an elevational view of the front end; and,
FIG. 7 is an elevational view of the rear end.

[52] **U.S. Cl.** **D14/107**

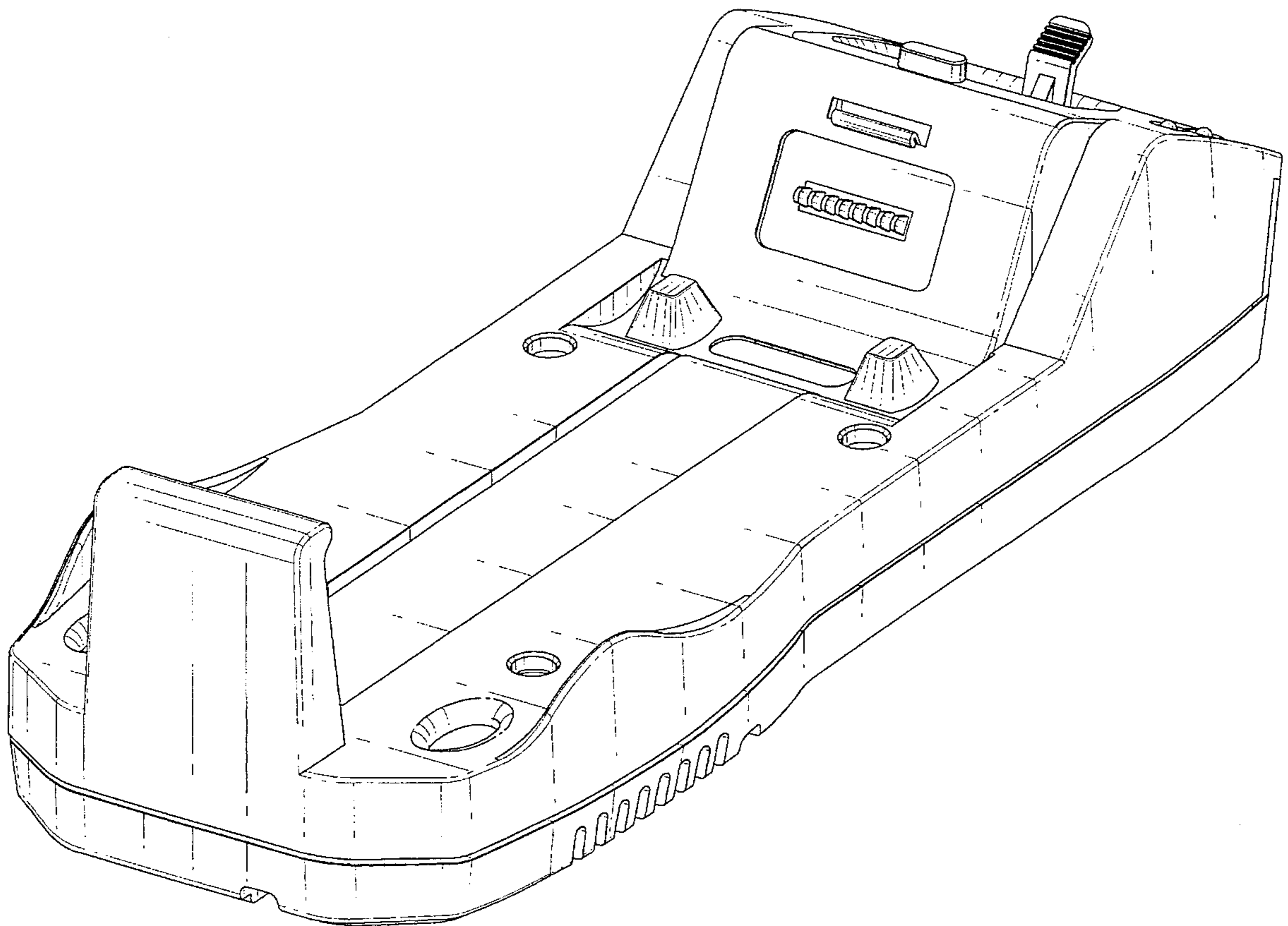
[58] **Field of Search** D14/100, 107,
D14/114; D13/184, 199; 361/683-686;
364/708.1

[56] **References Cited**

U.S. PATENT DOCUMENTS

D. 354,951 1/1995 Fenton et al. D14/107

1 Claim, 7 Drawing Sheets



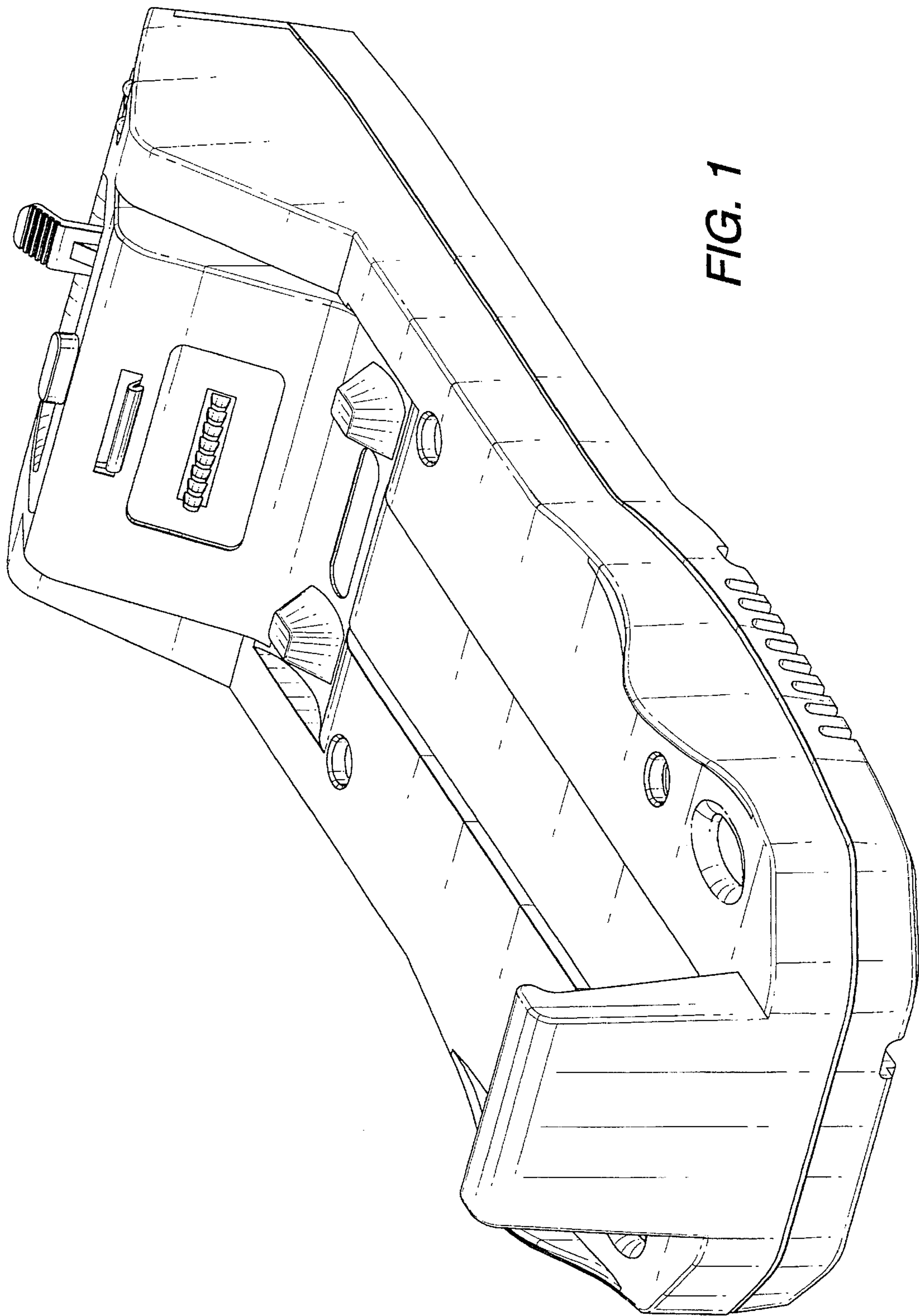


FIG. 1

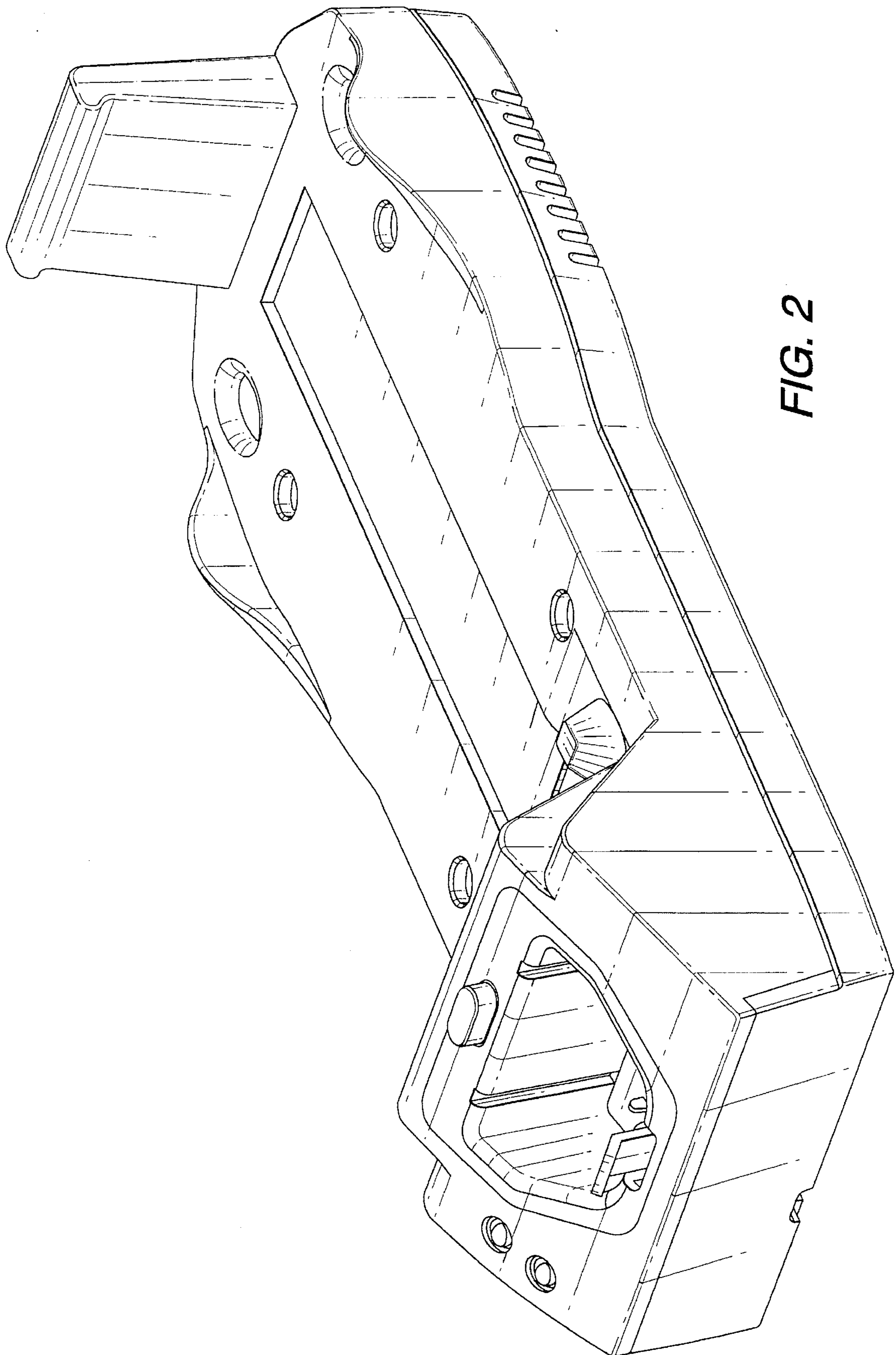


FIG. 2

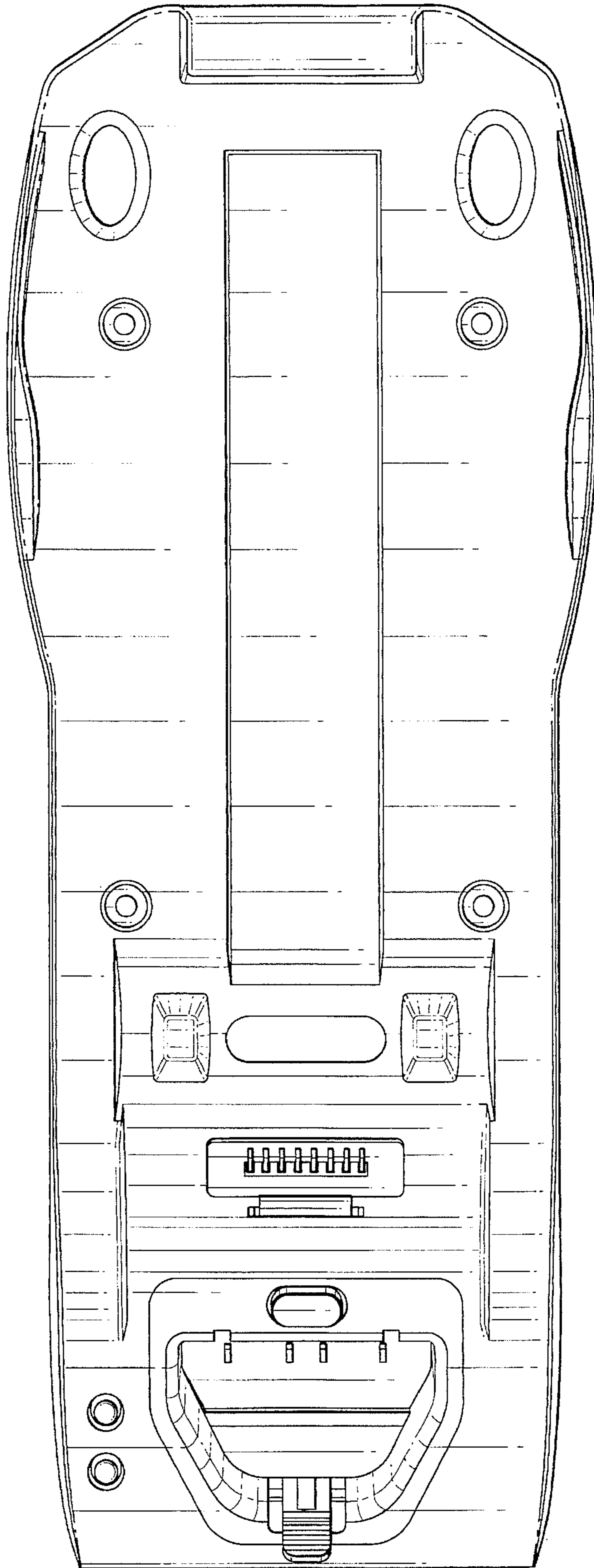


FIG. 3

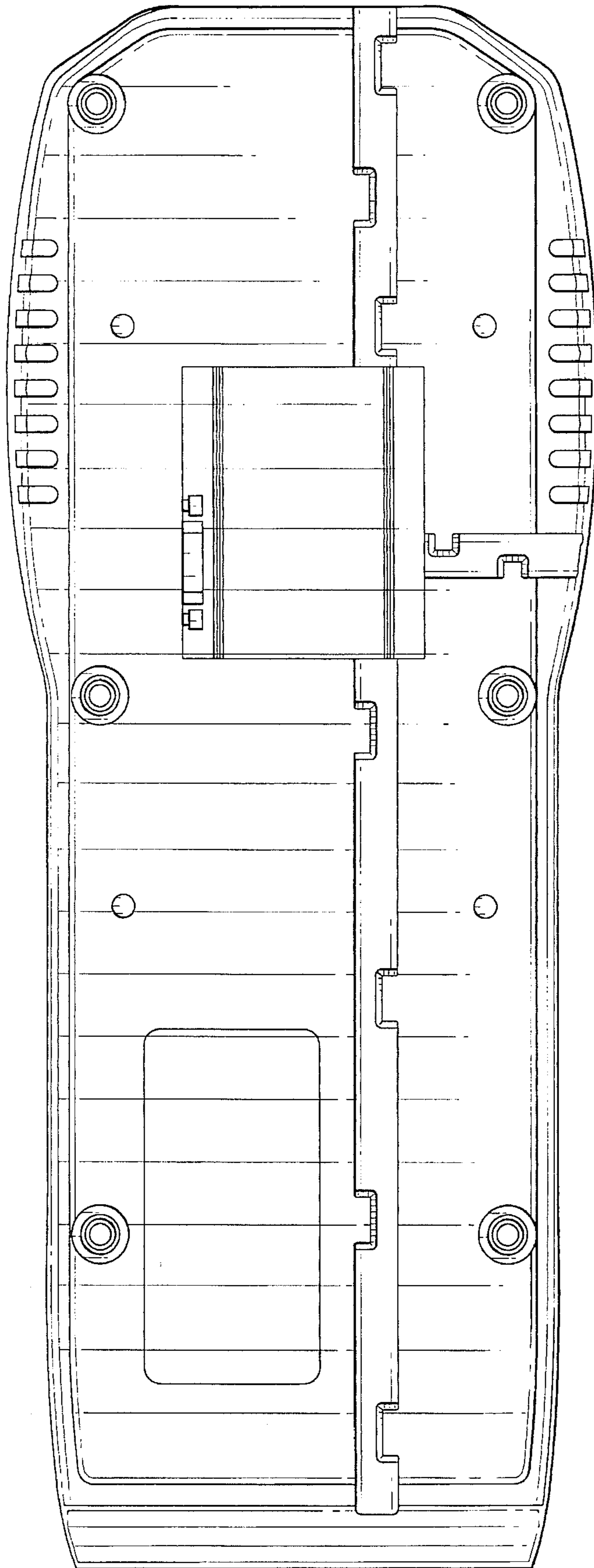


FIG. 4

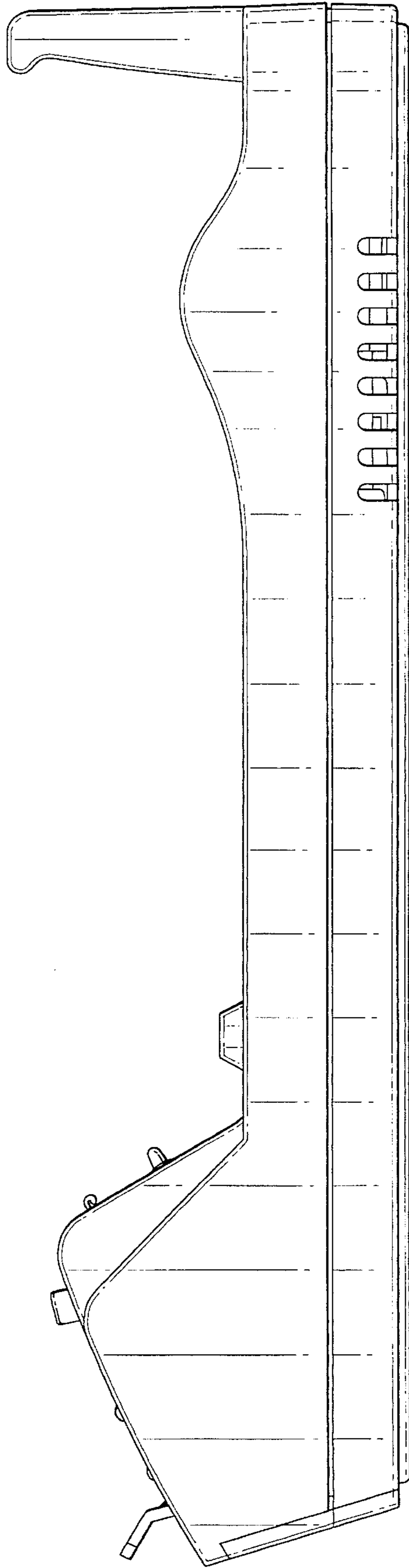


FIG. 5

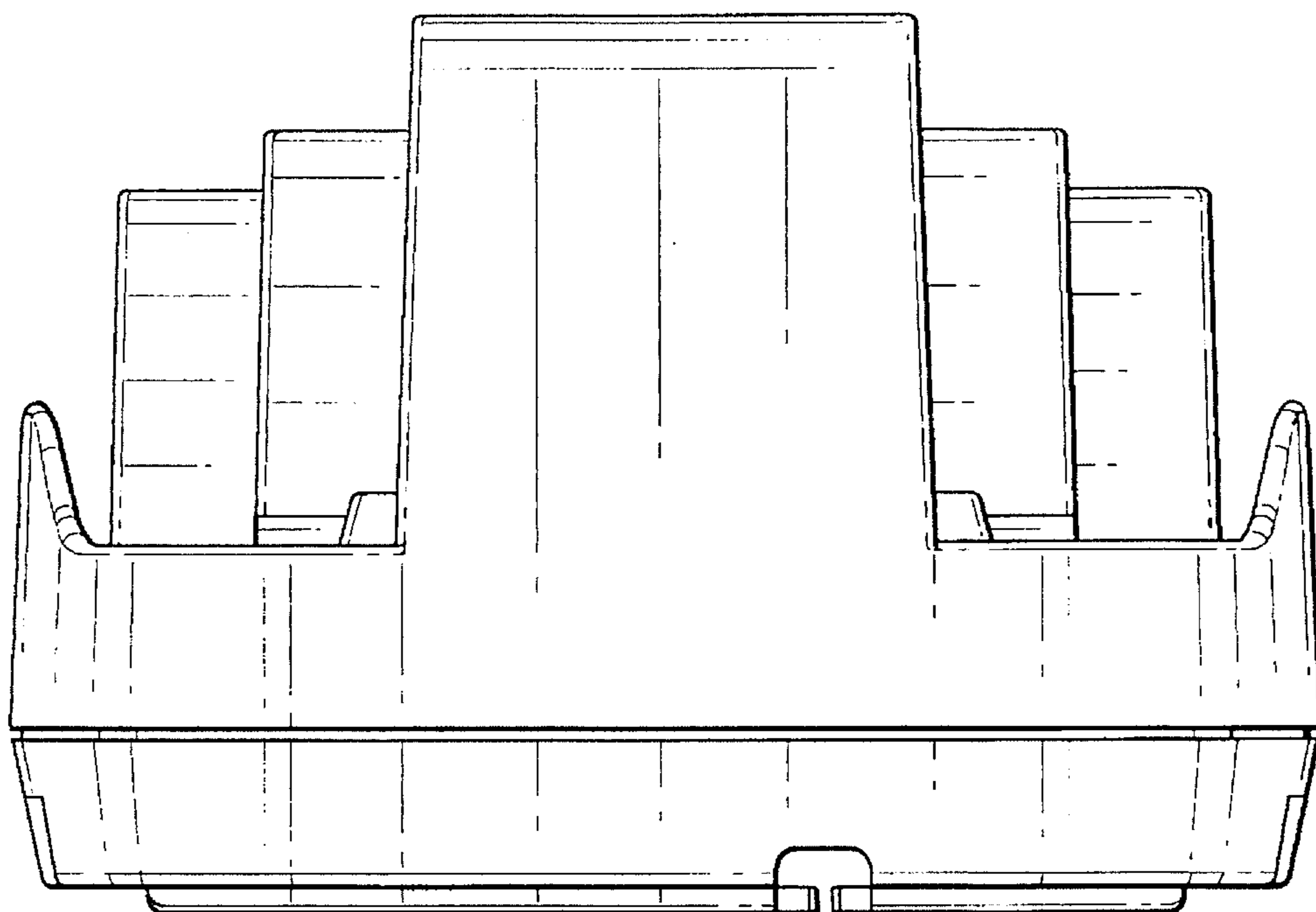


FIG. 6

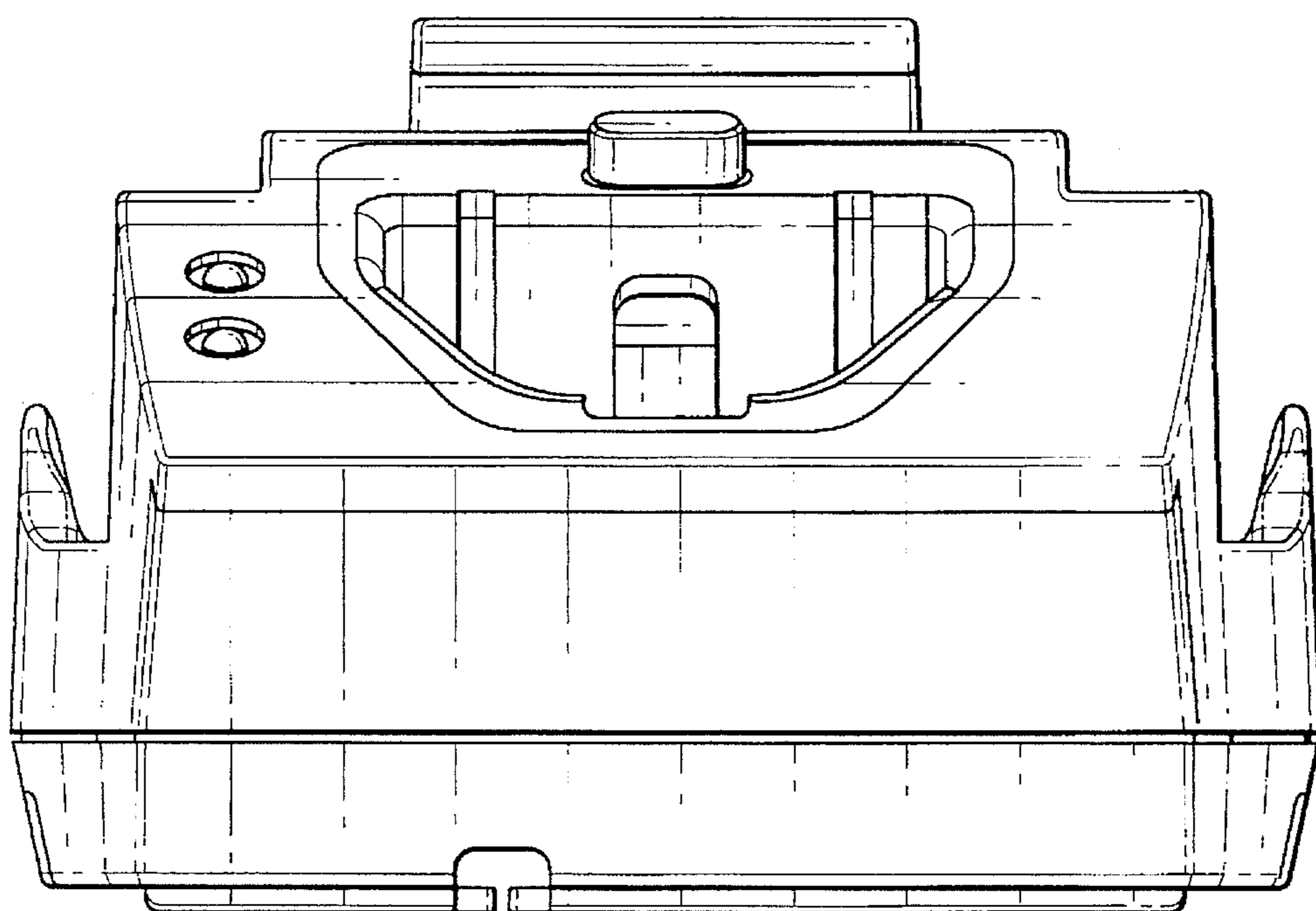


FIG. 7