



US00D376584S

United States Patent [19]

[11] Patent Number: **Des. 376,584**

Inoue

[45] Date of Patent: ****Dec. 17, 1996**

[54] **ELECTRONIC COMPUTER**

D. 353,584 12/1994 Sato et al. D14/106

[75] Inventor: **Manabu Inoue**, Yokohama, Japan

Primary Examiner—Freda Nunn

[73] Assignee: **Canon Kabushiki Kaisha**, Tokyo, Japan

Attorney, Agent, or Firm—Fitzpatrick, Cella, Harper & Scinto

[**] Term: **14 Years**

[57] CLAIM

[21] Appl. No.: **42,772**

The ornamental design for an electronic computer, as shown and described.

[22] Filed: **Aug. 17, 1995**

DESCRIPTION

[30] Foreign Application Priority Data

FIG. 1 is a front elevational view of an electronic computer showing my new design;

Feb. 21, 1995 [JP] Japan 7-4404

[52] U.S. Cl. **D14/106**

FIG. 2 is a top plan view thereof;

[58] Field of Search D14/100, 101, D14/106, 113, 115, 124-127; D18/1, 7; 235/145 A, 145 R; 341/22, 23; 345/104, 156, 168, 160; 361/679-686; 364/708.1, 709.04; 400/486, 489

FIG. 3 is a left side elevational view thereof;

FIG. 4 is a right side elevational view thereof;

FIG. 5 is a rear elevational view thereof;

FIG. 6 is a bottom plan view thereof; and,

FIG. 7 is a perspective view thereof.

[56] References Cited

U.S. PATENT DOCUMENTS

D. 350,732 9/1994 Inukai D14/106

1 Claim, 4 Drawing Sheets

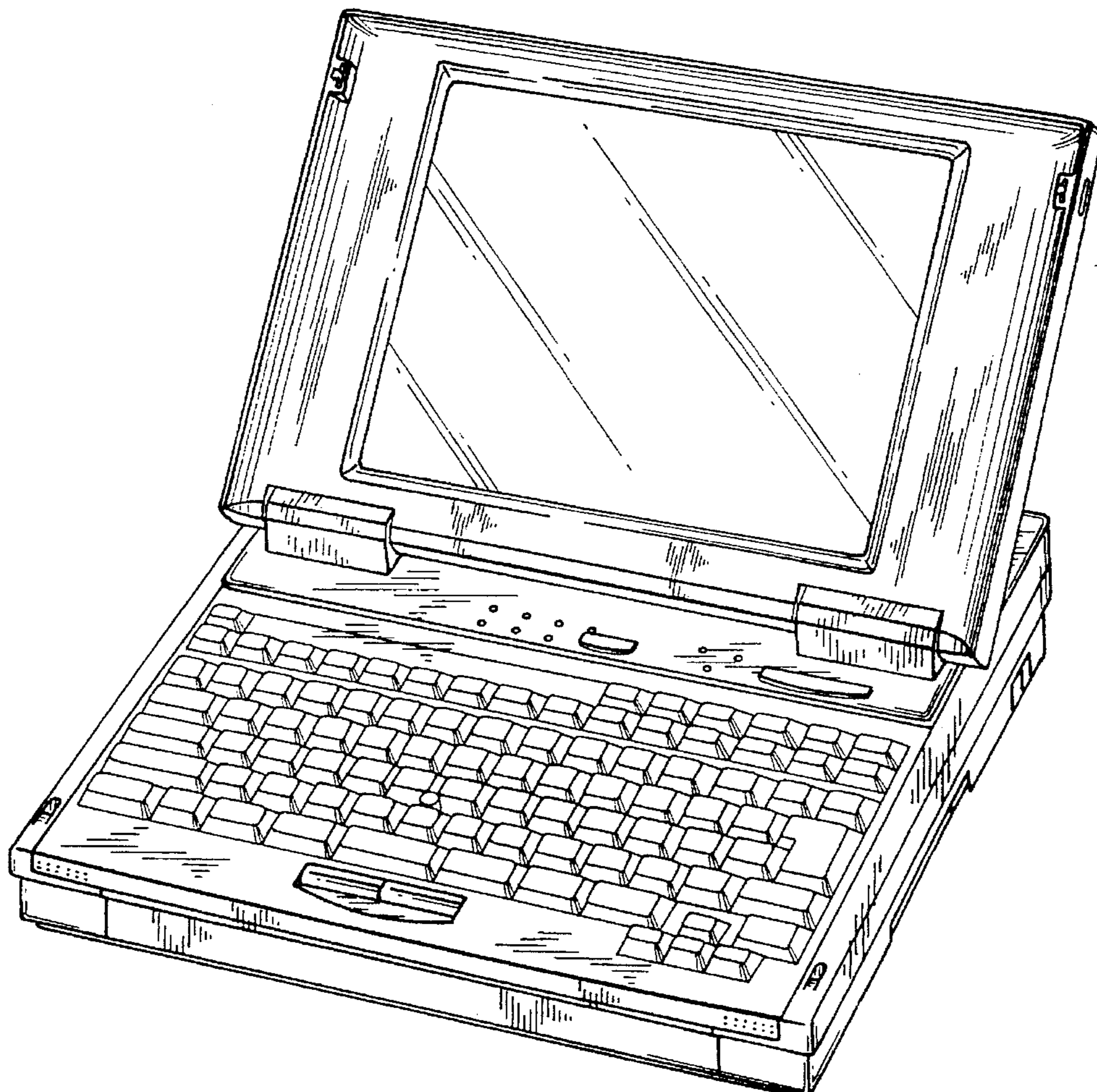


FIG. 1

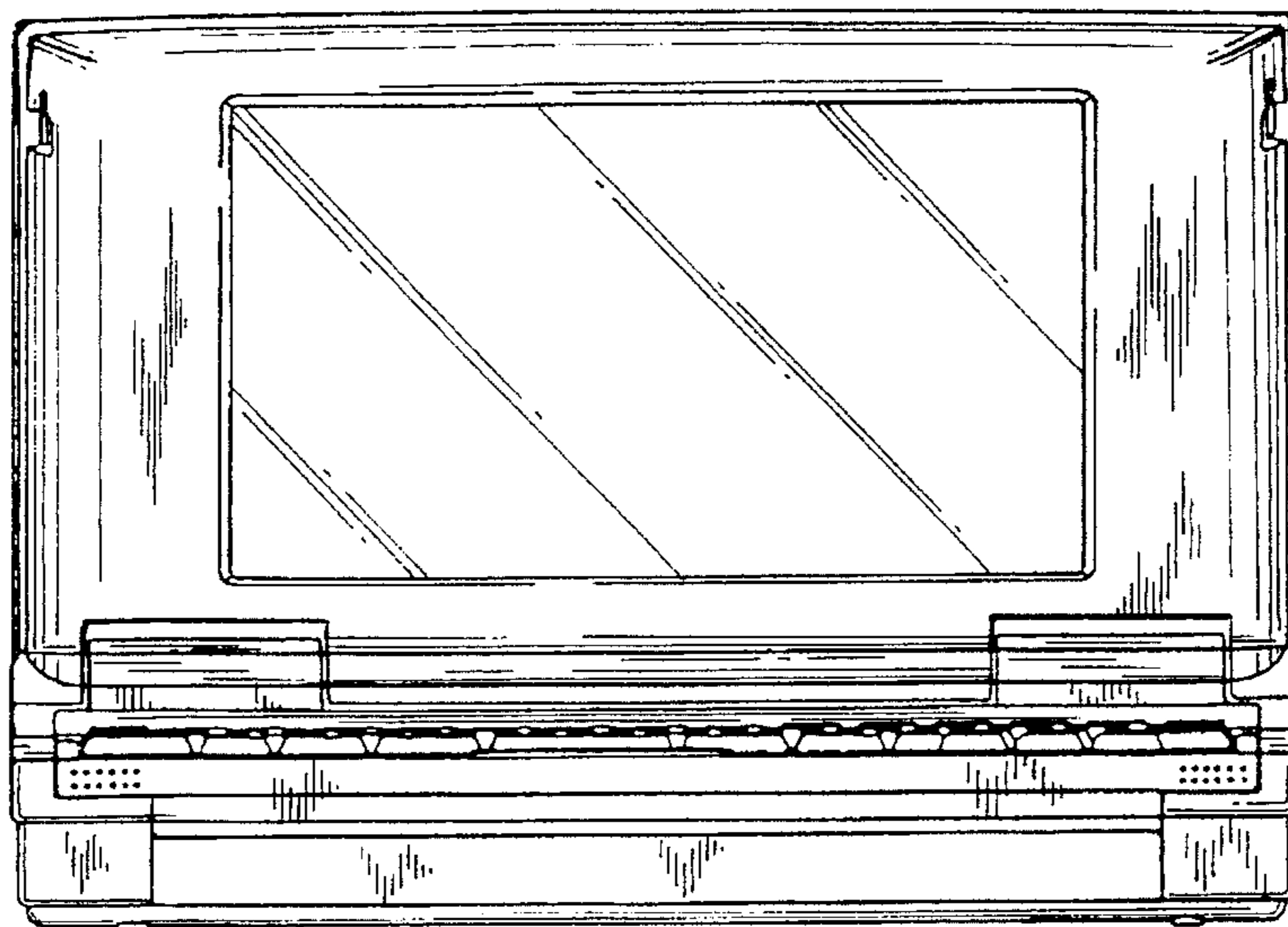


FIG. 2

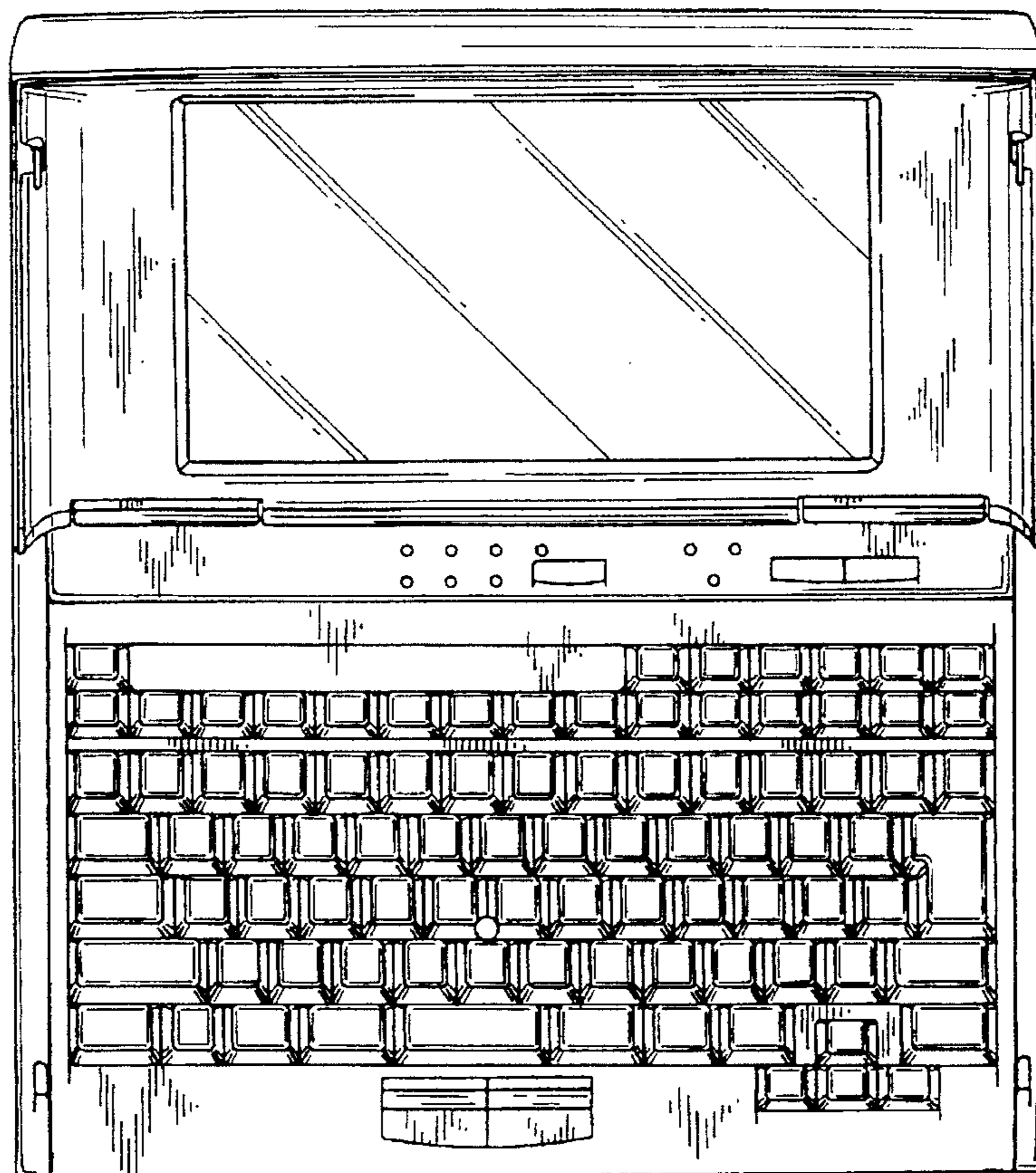


FIG. 3

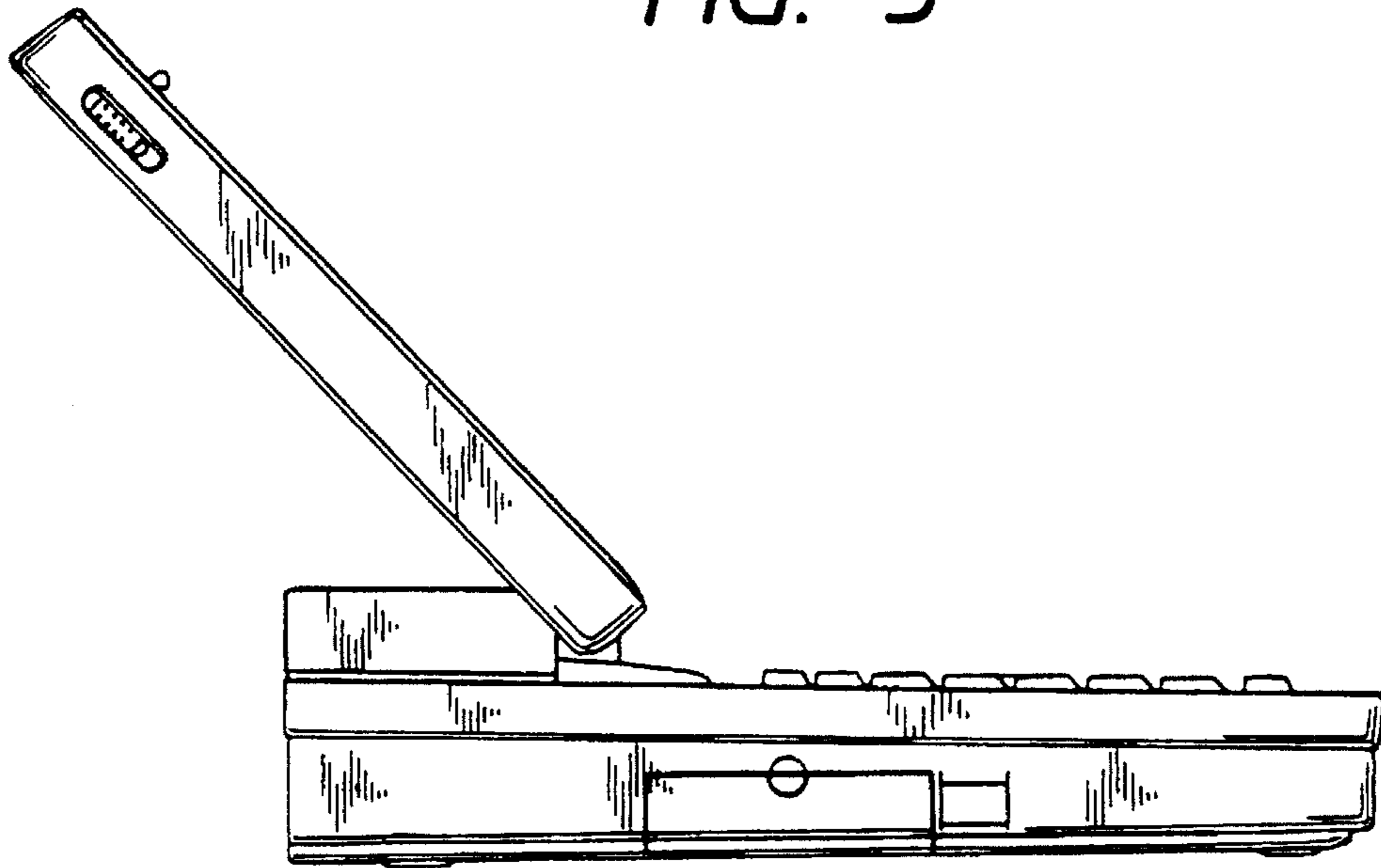


FIG. 4

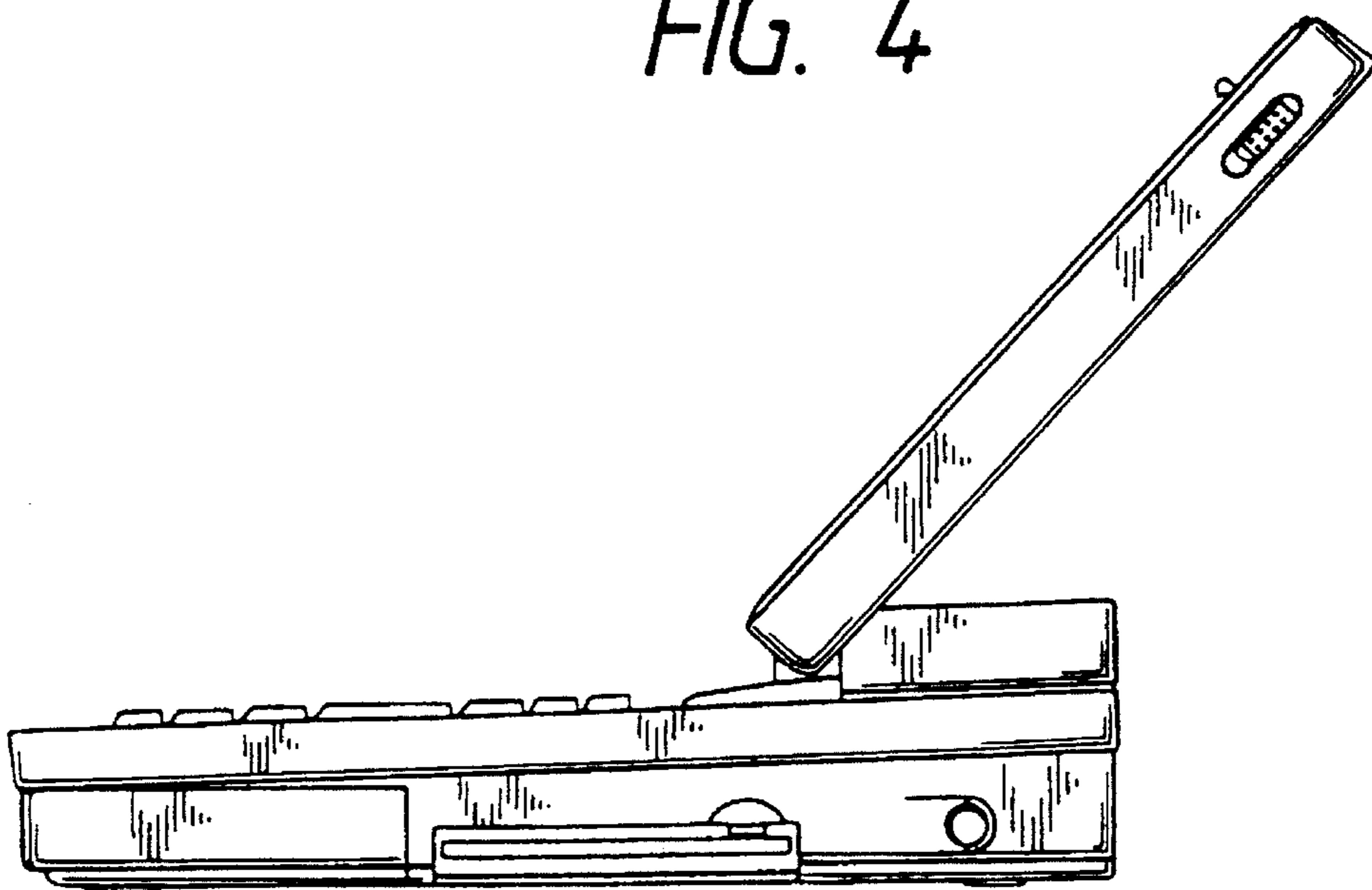


FIG. 5

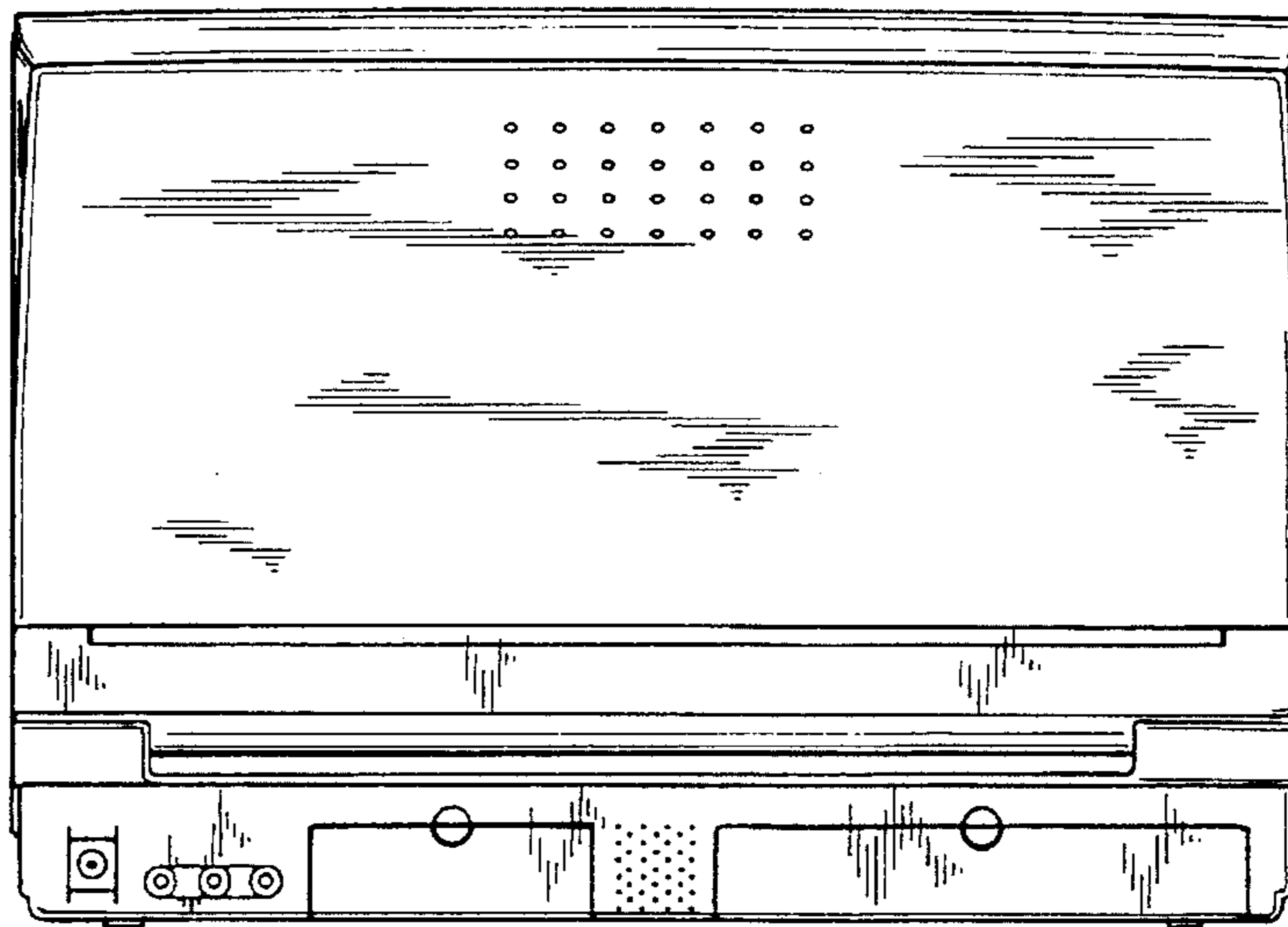


FIG. 6

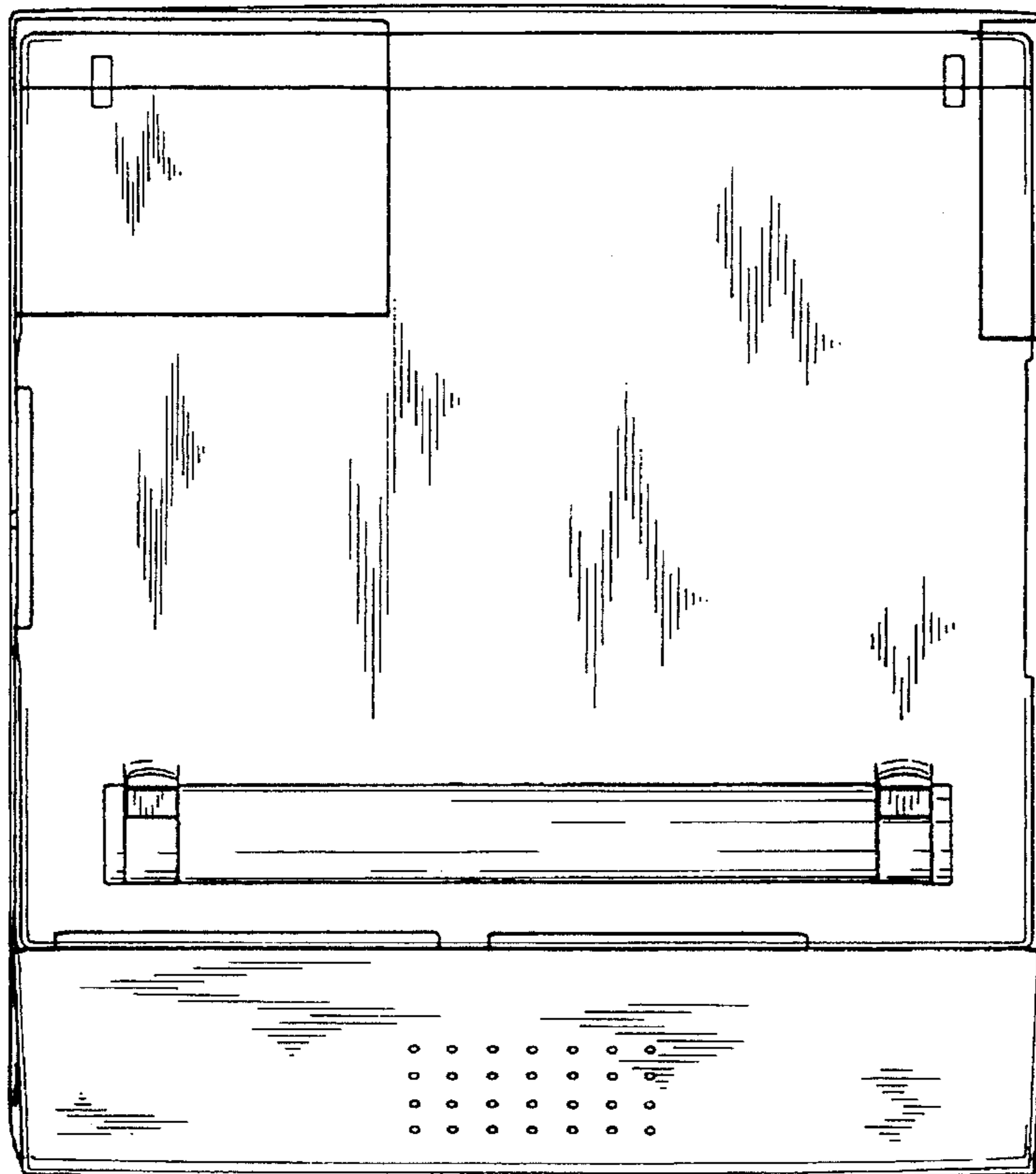


FIG. 7

