



US00D376583S

United States Patent [19]

[11] Patent Number: **Des. 376,583**

Ishiura et al.

[45] Date of Patent: ****Dec. 17, 1996**

[54] **COMBINED CONTROL UNIT FOR INPUT AND OUTPUT OF INFORMATION AND WORD PROCESSOR**

D. 356,071	3/1995	Gotoh	D14/106
D. 358,171	5/1995	Cheng	D14/100 X
D. 358,376	5/1995	Poon	D14/106
D. 359,306	6/1995	Lande et al.	D14/100 X

[75] Inventors: **Ryoichi Ishiura, Matsudo; Jun Matsumoto**, Yokohama, both of Japan

FOREIGN PATENT DOCUMENTS

850526	10/1992	Japan	.
887564	1/1994	Japan	.

[73] Assignee: **Kabushiki Kaisha Toshiba**, Kawasaki, Japan

OTHER PUBLICATIONS

[**] Term: **14 Years**

Newspaper—Denpa Shinbun, Sony, Dec. 7, 1989.
Newspaper—Denpa Shinbun, Toshiba, May 13, 1993.
Catalog—XTEND, Toshiba, May 20, 1993 (date obtained by applicant).

[21] Appl. No.: **43,589**

Primary Examiner—Freda Nunn
Attorney, Agent, or Firm—Banner & Allegretti, Ltd.

[22] Filed: **Sep. 7, 1995**

Related U.S. Application Data

[62] Division of Ser. No. 22,774, May 11, 1994.

[57] **CLAIM**

Foreign Application Priority Data

The ornamental design for a combined control unit for input and output of information and word processor, as shown and described.

Jan. 31, 1994 [JP] Japan 6-1603

[52] **U.S. Cl.** **D14/100**

[58] **Field of Search** D14/100, 101, D14/106, 113, 115, 124-129; D18/1, 7; 235/145 A, 145 R; 345/104, 156, 168, 173, 901-905, 87; 341/22, 23; 361/679-686; 364/708.1, 709.04, 709.12; 400/486, 489; 178/18, 19

DESCRIPTION

FIG. 1 is a top, front and right side perspective view of a combined control unit for input and output of information and word processor according to our new design;
FIG. 2 is a front elevational view thereof;
FIG. 3 is a rear elevational view thereof;
FIG. 4 is a top plan view thereof;
FIG. 5 is an enlarged sectional view thereof taken at line 5-5 in FIG. 4;
FIG. 6 is a right side elevational view thereof;
FIG. 7 is a left side elevational view thereof;
FIG. 8 is a bottom plan view thereof;
FIG. 9 is a front elevational view thereof in closed position;
FIG. 10 is a right side elevational view thereof in closed position; and,
FIG. 11 is a top plan view thereof in closed position.

References Cited

U.S. PATENT DOCUMENTS

D. 315,549	3/1991	Clough et al.	D14/100
D. 317,151	5/1991	Daly	D14/100
D. 319,433	8/1991	Pearce	D14/100
D. 322,246	12/1991	Izaki	D14/100
D. 324,673	3/1992	Iino	D14/106
D. 340,701	10/1993	Takeuchi	D14/100
D. 341,823	11/1993	Sakai	D14/100
D. 345,346	3/1994	Alfonso et al.	D14/100
D. 346,793	5/1994	Iino et al.	D14/100
D. 348,444	7/1994	Papademetriou et al.	D14/106

1 Claim, 4 Drawing Sheets

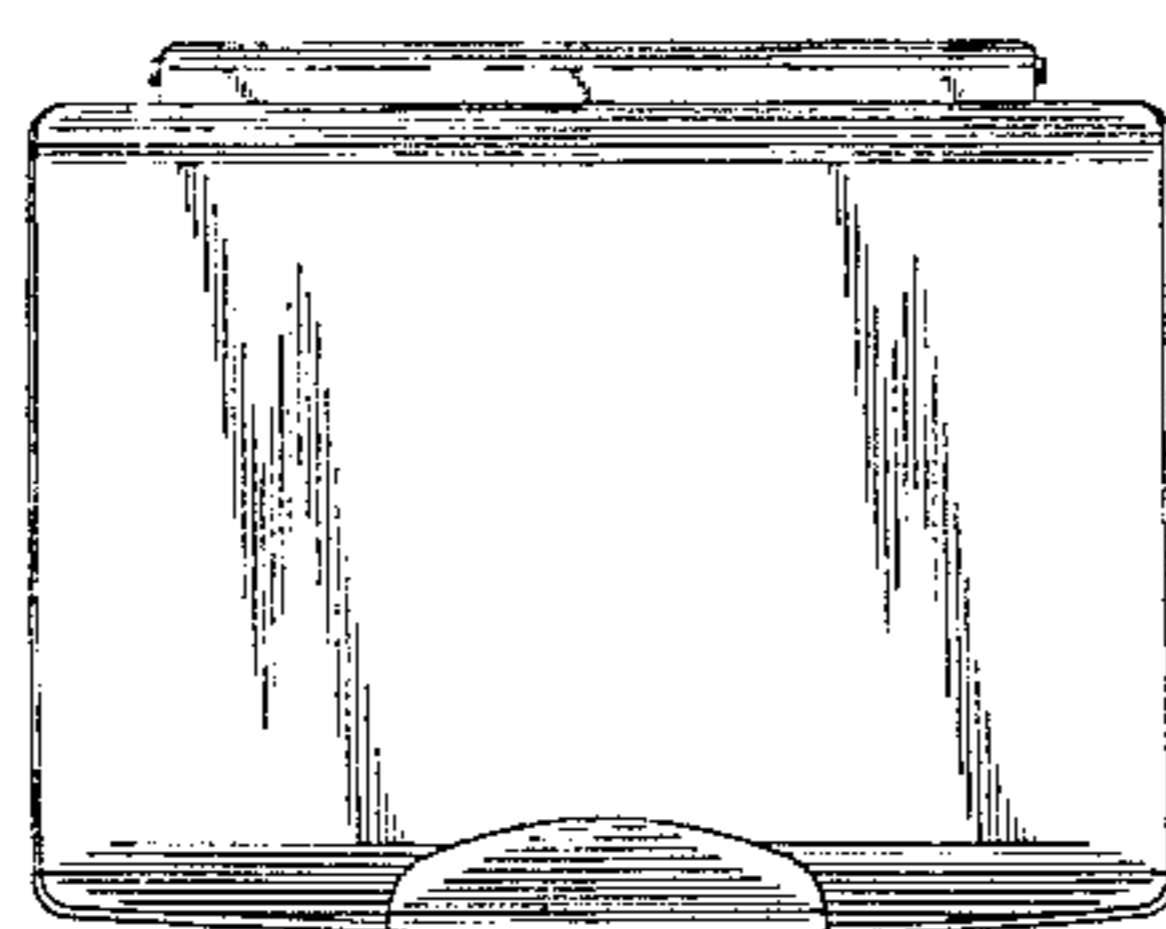
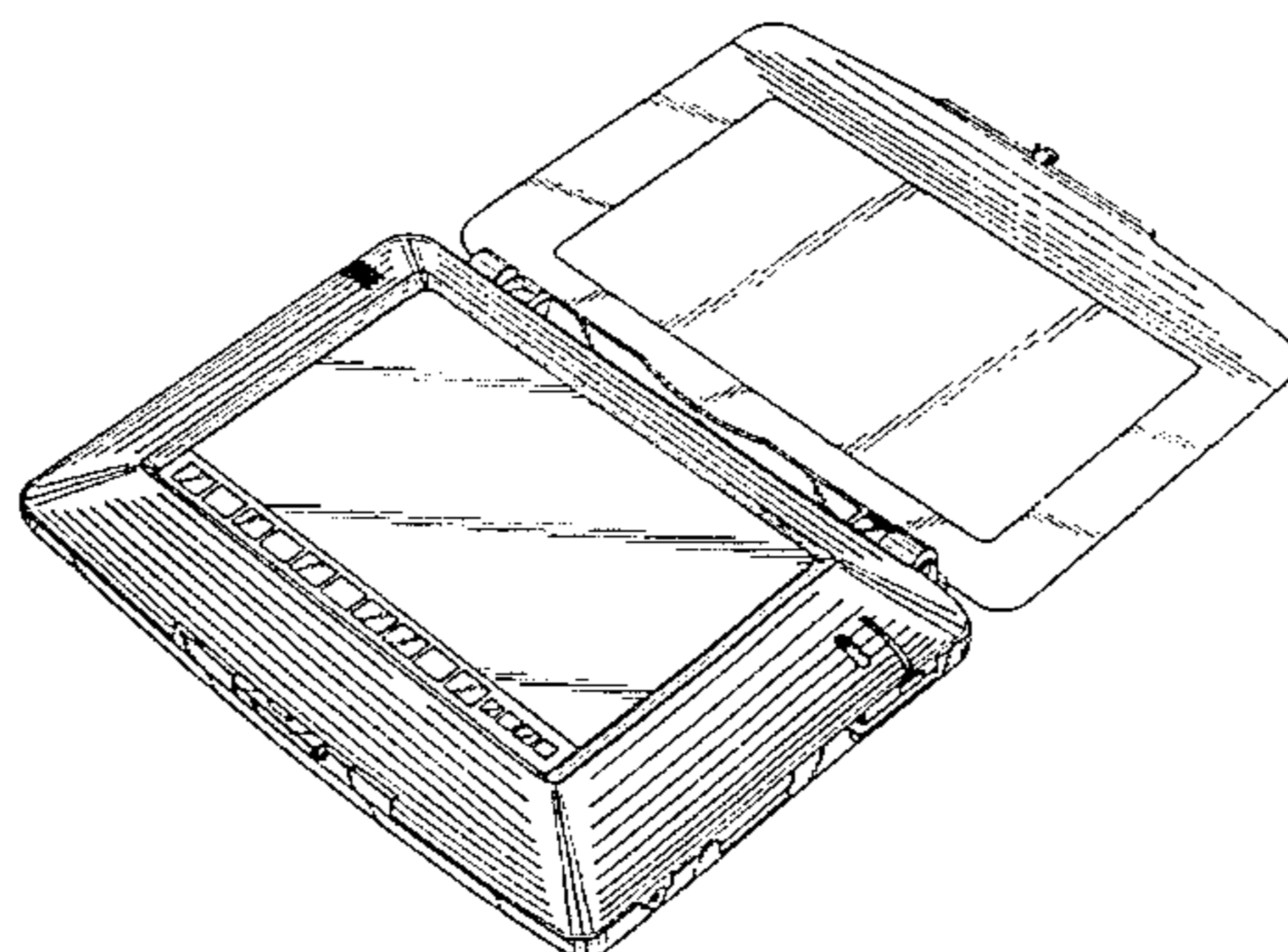


FIG. 1

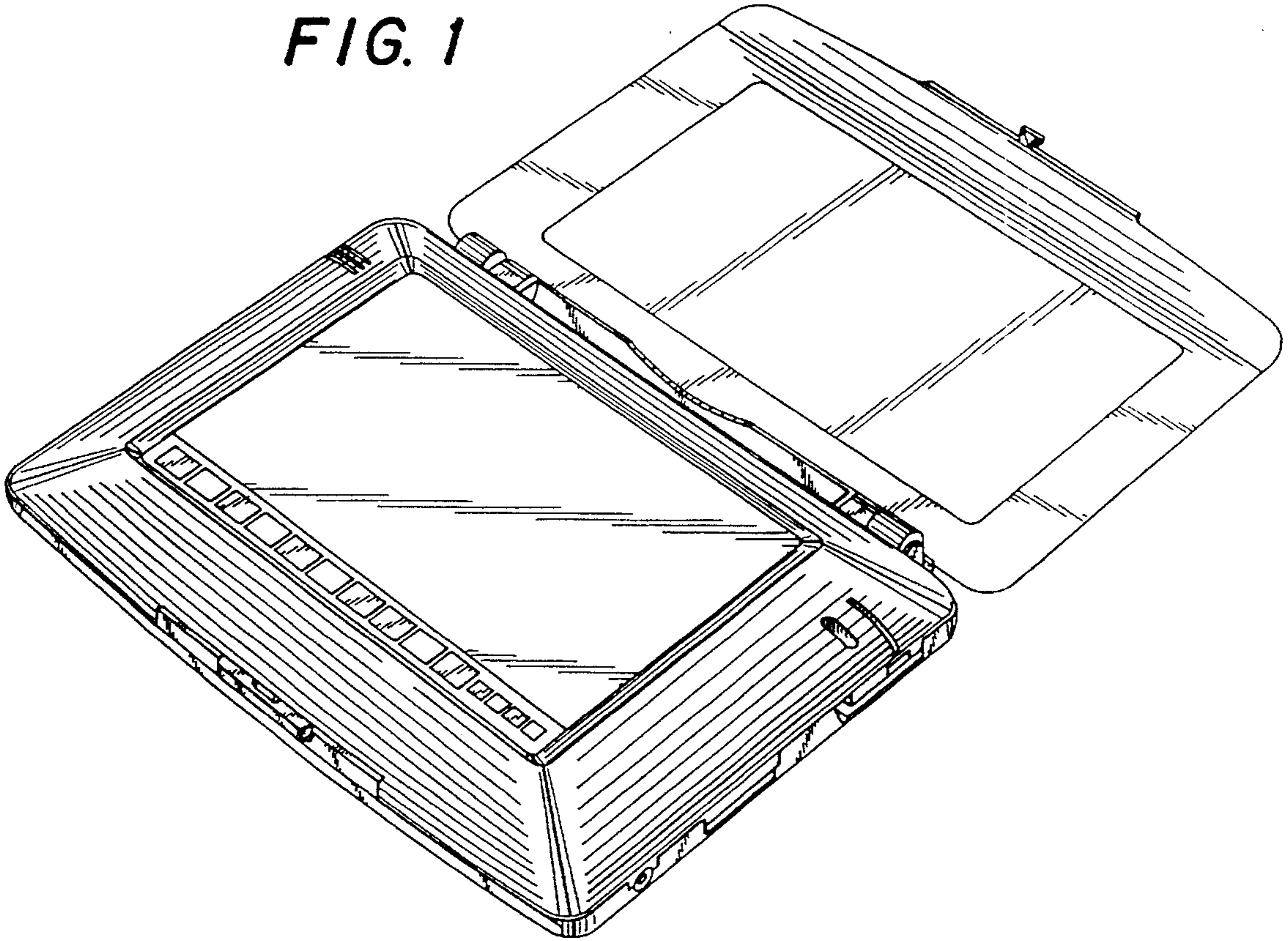


FIG. 2

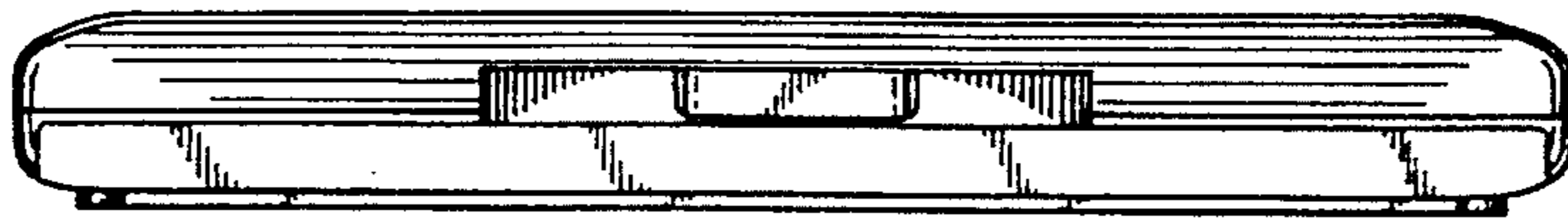


FIG. 3



FIG. 4

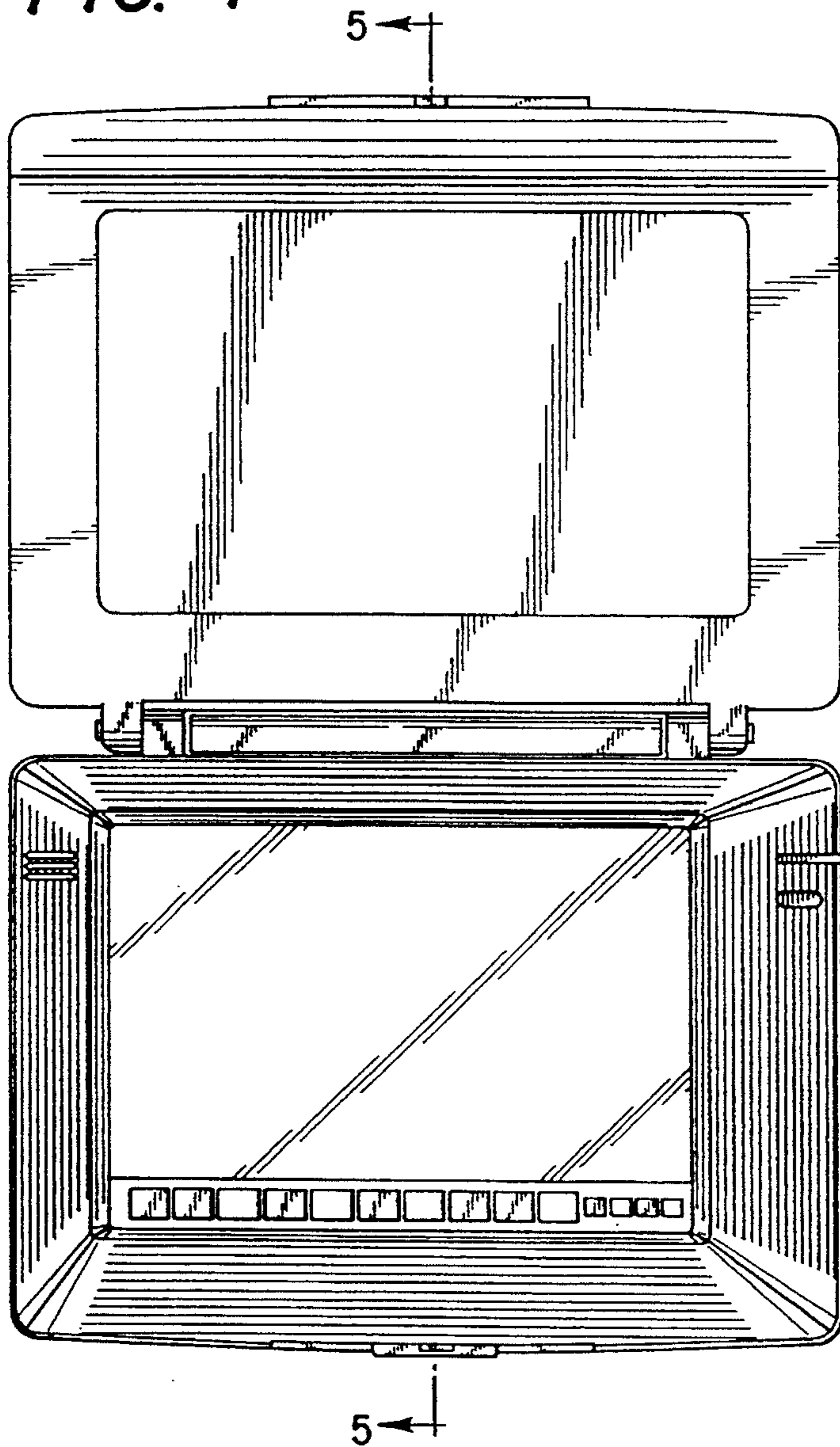


FIG. 5

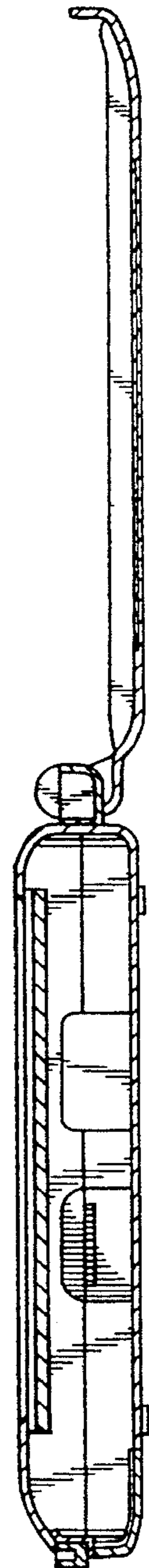


FIG. 6

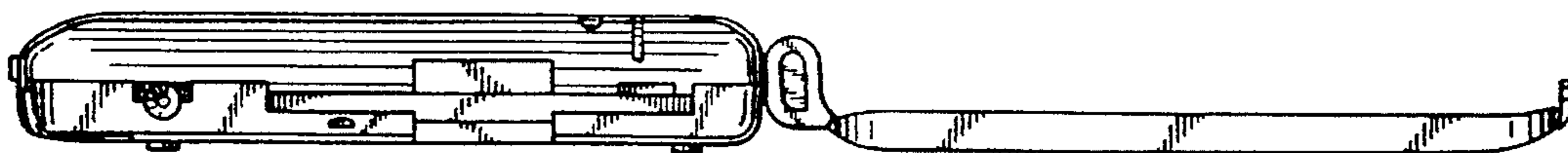


FIG. 7

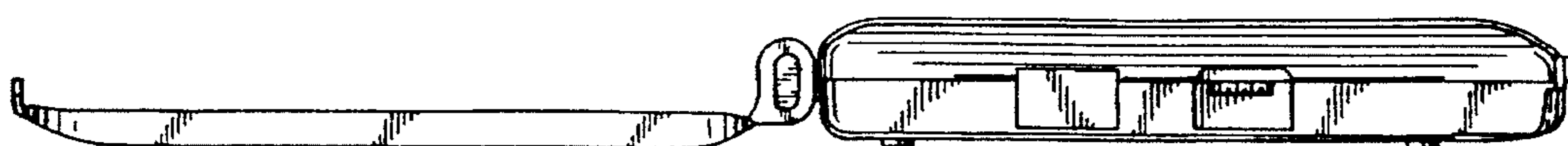


FIG. 8

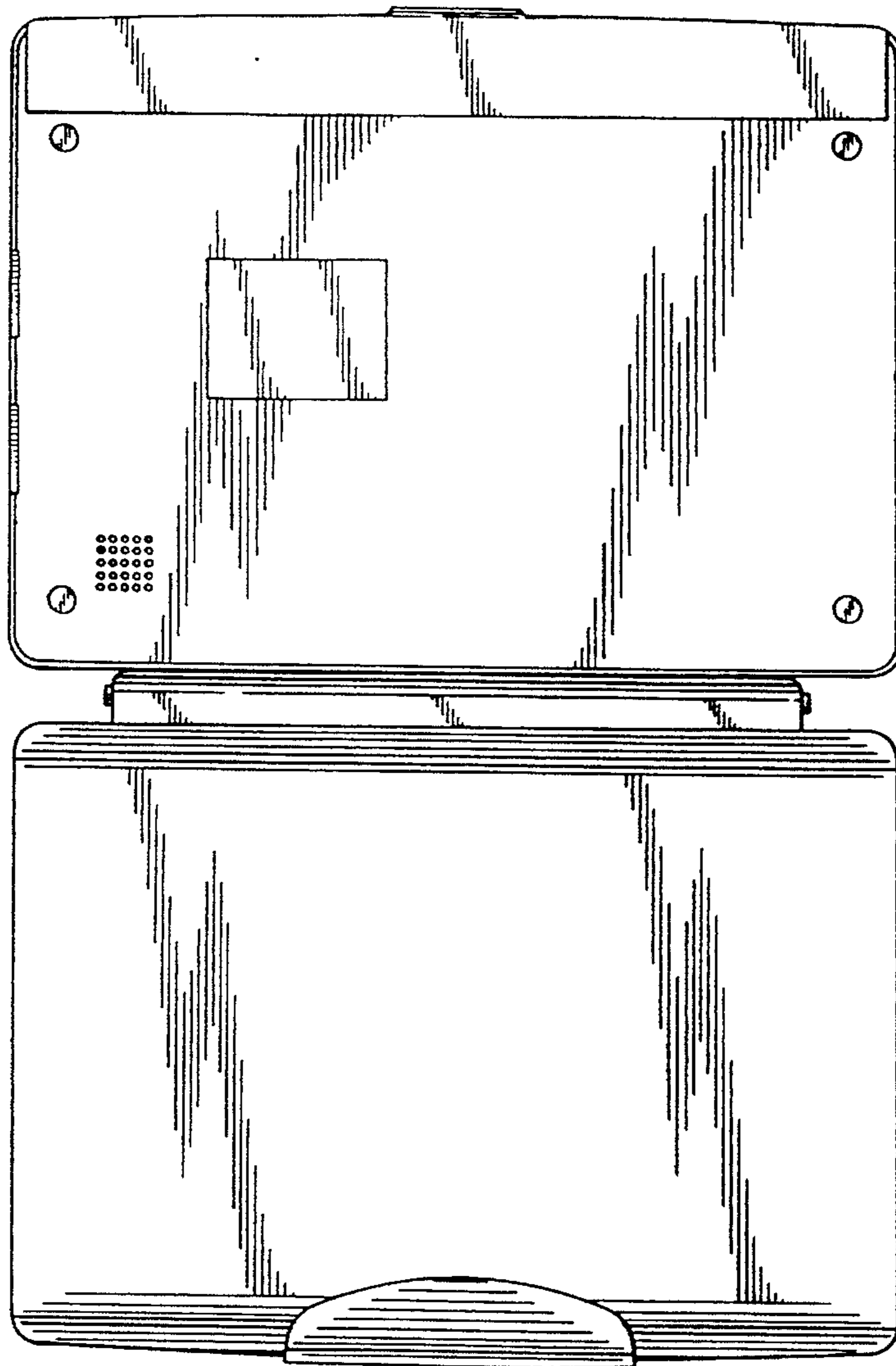


FIG. 9

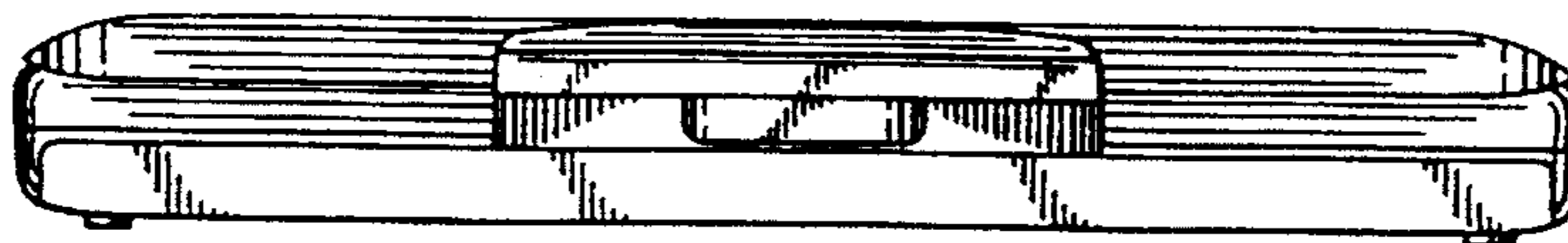


FIG. 10

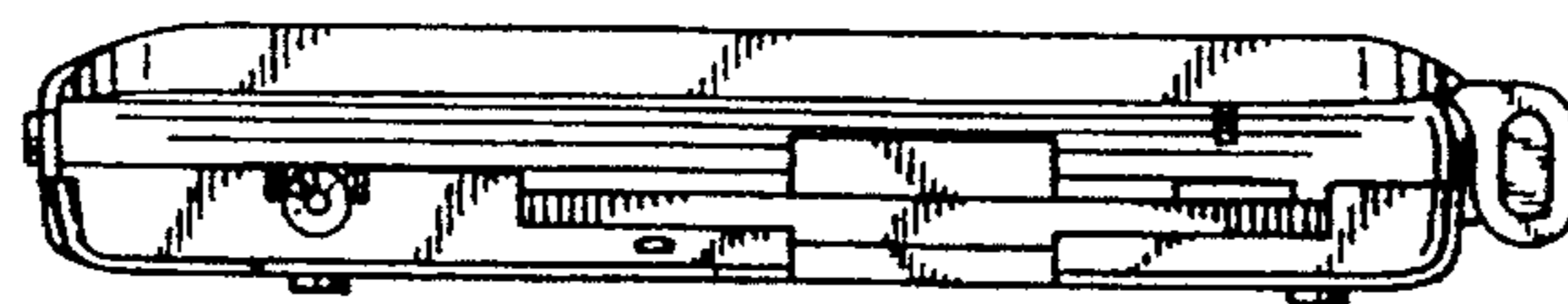


FIG. 11

