



US00D376581S

United States Patent [19]

[11] Patent Number: **Des. 376,581**

Suzuki

[45] Date of Patent: ****Dec. 17, 1996**

[54] ELECTRICAL CONNECTOR

3,737,833	6/1973	Jerominek	339/17 F
4,822,303	4/1989	Nakamura et al.	439/607
5,011,424	4/1991	Simmons	439/352

[75] Inventor: **Akio Suzuki**, Tokyo, Japan

[73] Assignee: **Hirose Electric Co., Ltd.**, Tokyo, Japan

Primary Examiner—Joel Sincavage
Attorney, Agent, or Firm—Kanesaka & Takeuchi

[**] Term: **14 Years**

[57] **CLAIM**

[21] Appl. No.: **42,059**

The ornamental design for an electrical connector, as shown and described.

[22] Filed: **Jul. 31, 1995**

[30] **Foreign Application Priority Data**

DESCRIPTION

Feb. 16, 1995 [JP] Japan 7-3717

FIG. 1 is a top plan view of an electrical connector showing an embodiment of my new design;

[52] U.S. Cl. **D13/147**

FIG. 2 is a bottom plan view thereof;

[58] Field of Search D13/146, 147;
439/350, 353, 358, 465, 493, 620

FIG. 3 is a front elevational view thereof;

FIG. 4 is a rear elevational view thereof;

FIG. 5 is a side elevational view thereof; and,

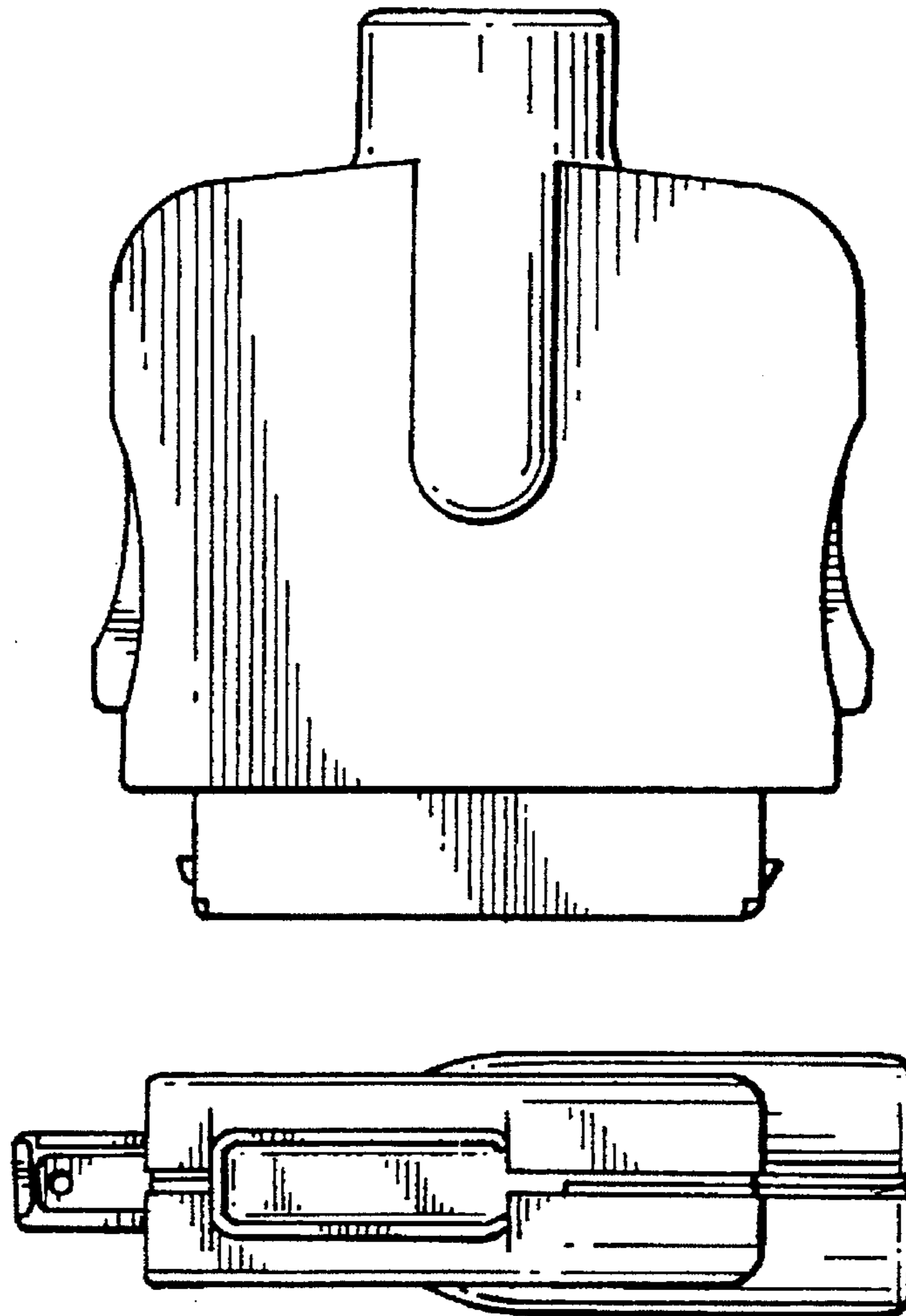
FIG. 6 is a sectional view taken along line 6—6 of FIG. 3.

[56] **References Cited**

U.S. PATENT DOCUMENTS

D. 254,847 4/1980 Healey D13/147

1 Claim, 2 Drawing Sheets



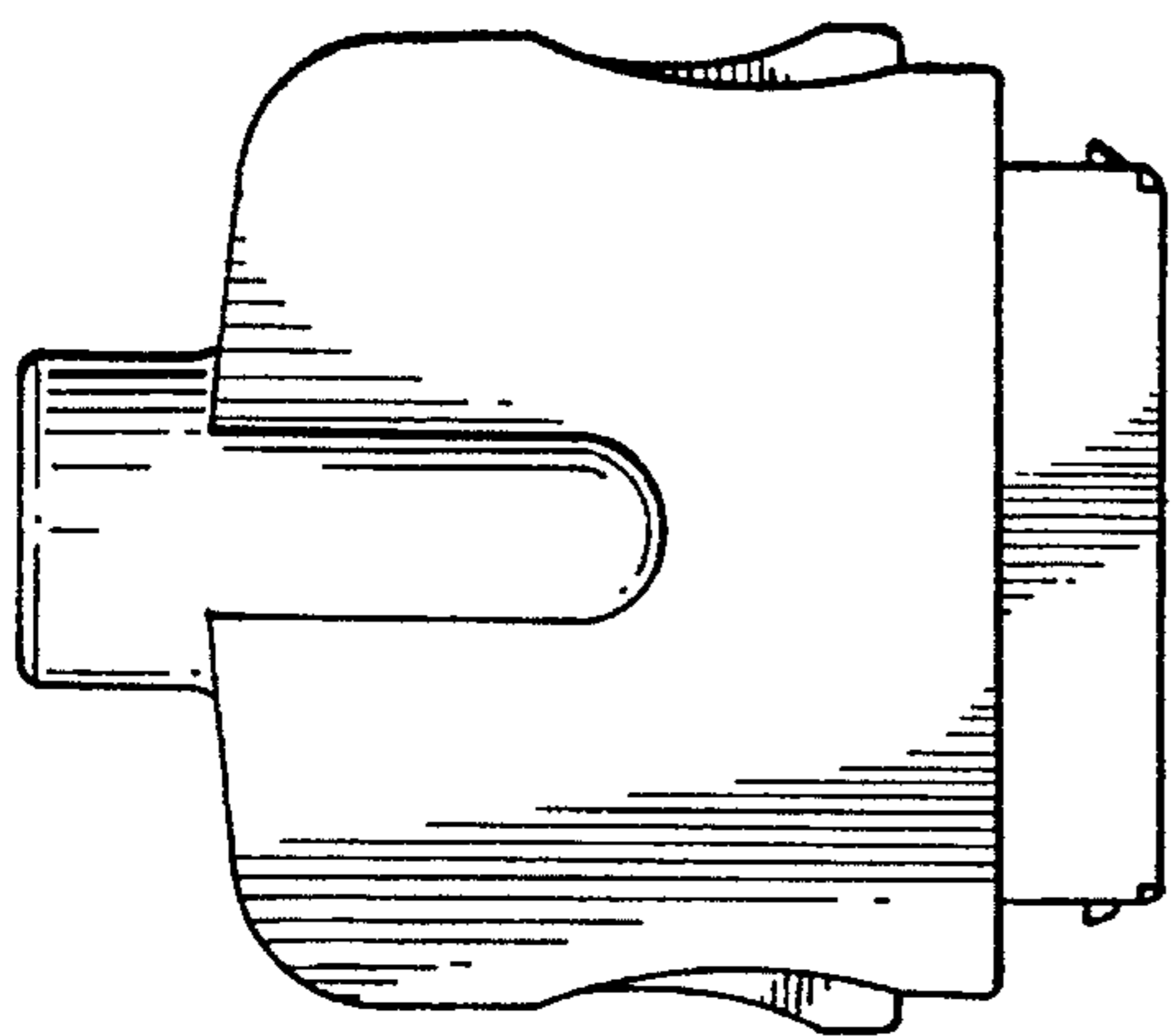


FIG. 1

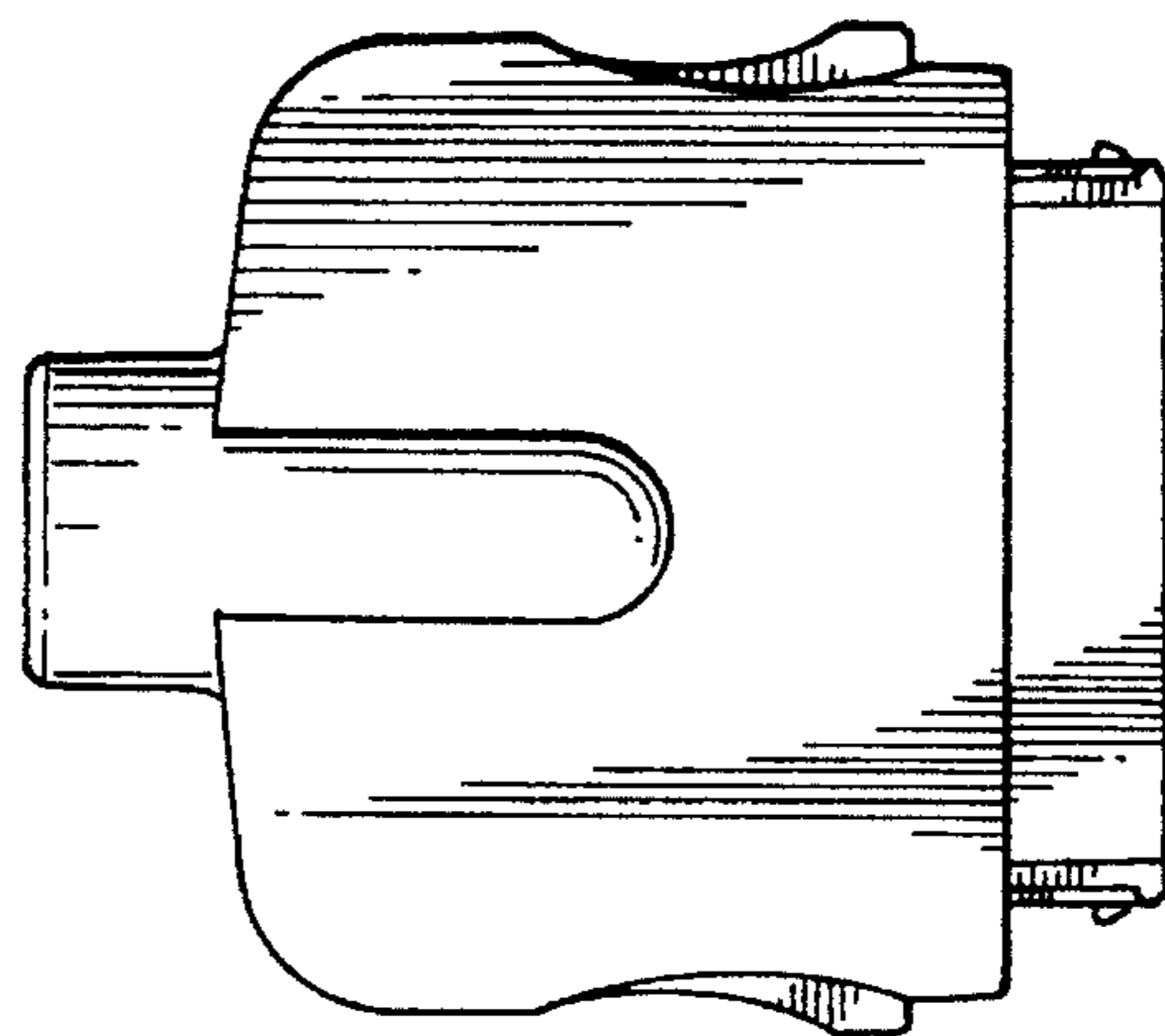


FIG. 2

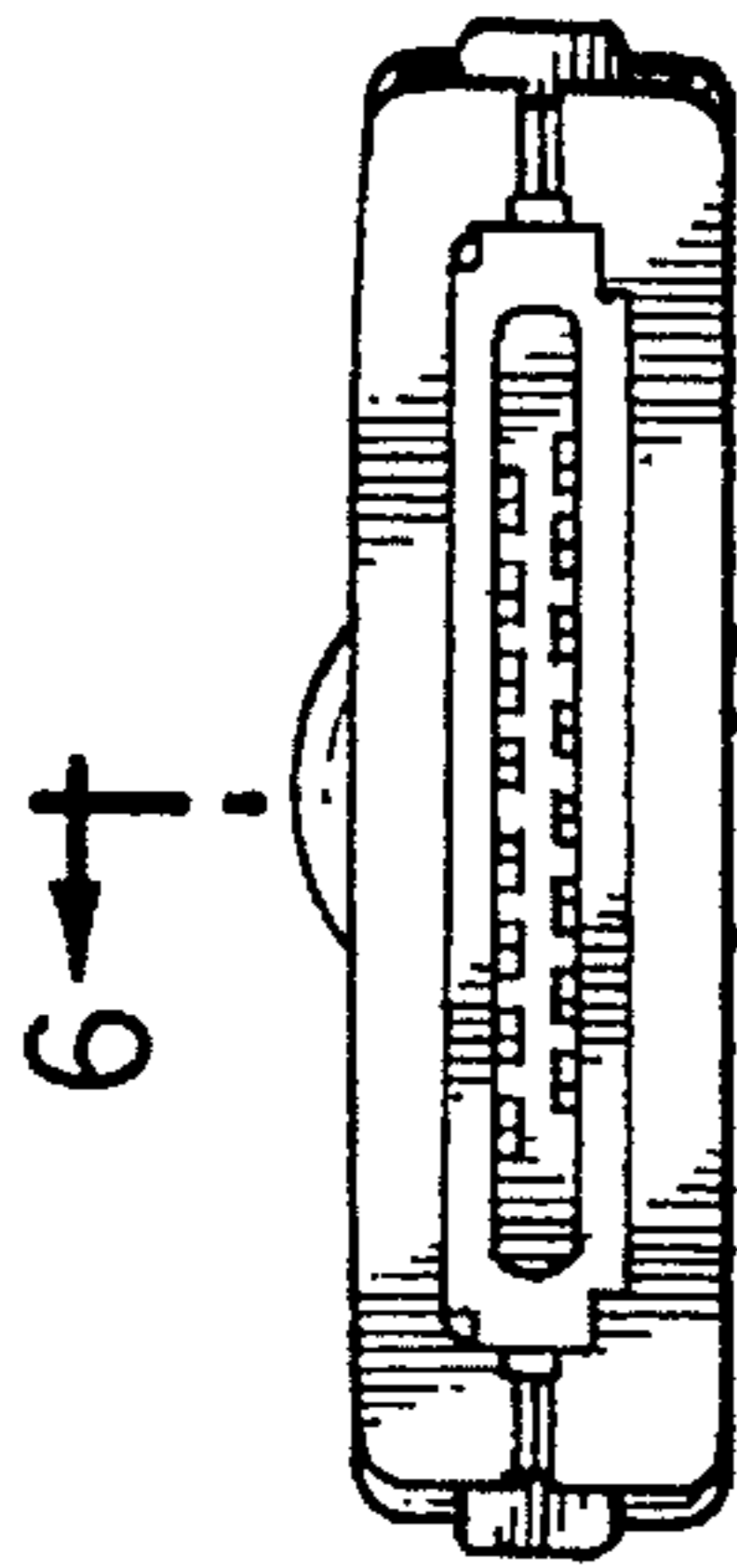


FIG. 3

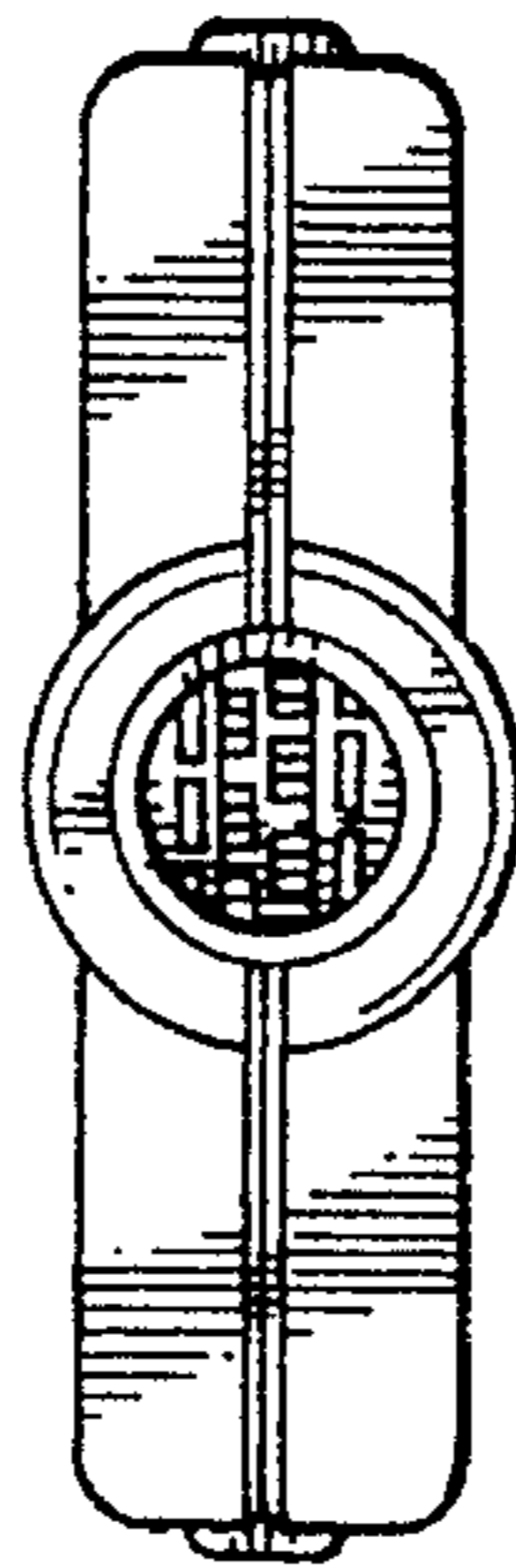


FIG. 4

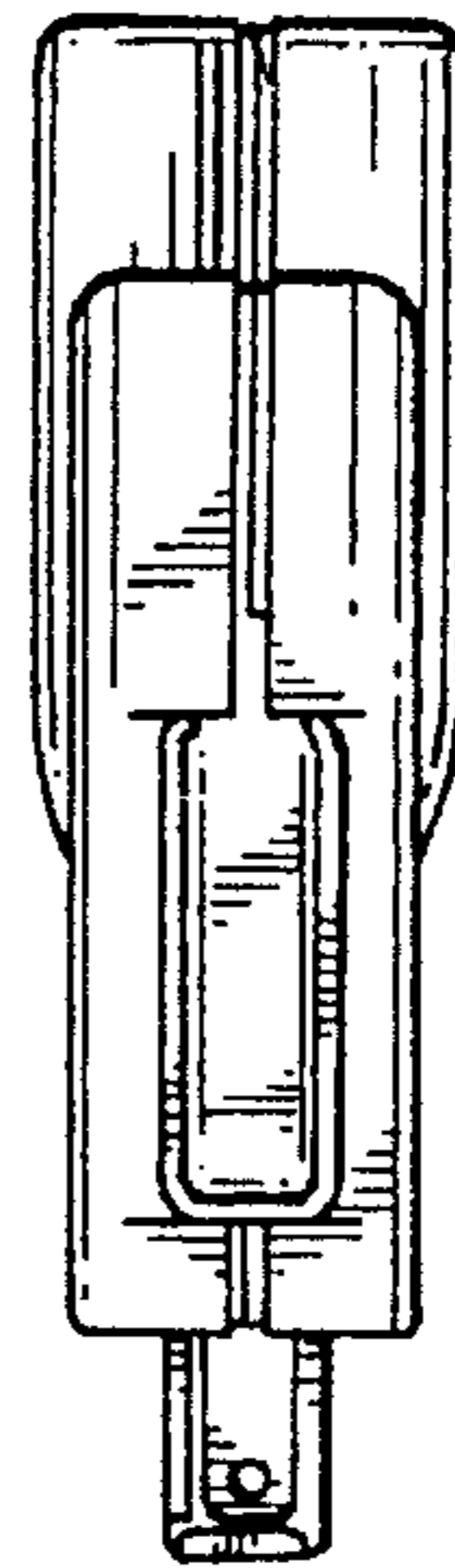


FIG. 5

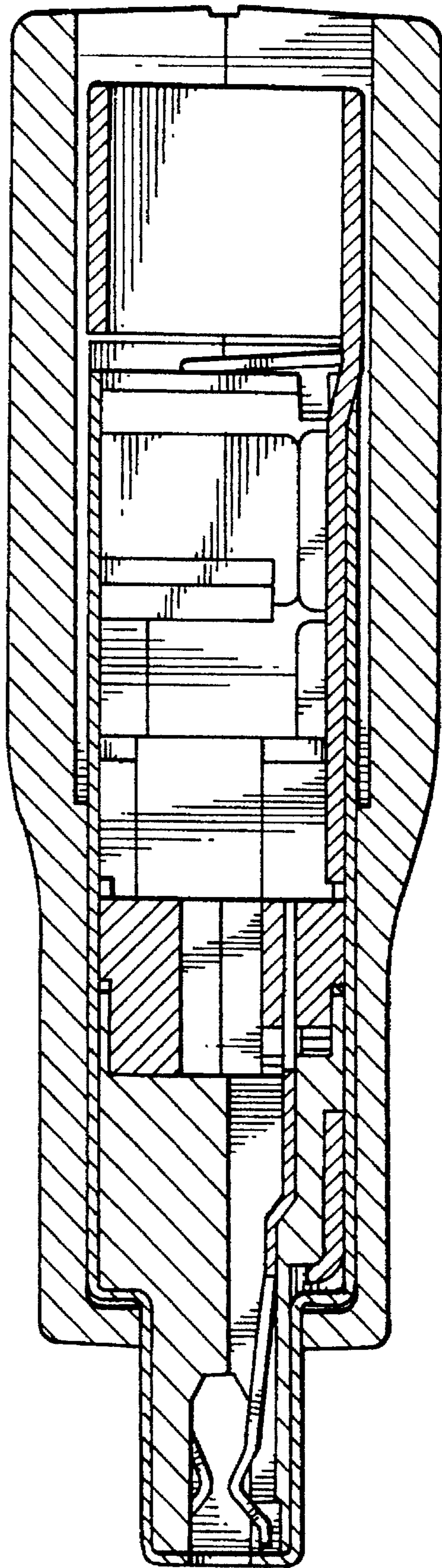


FIG. 6