



US00D376580S

United States Patent [19]

[11] Patent Number: **Des. 376,580**

Lee

[45] Date of Patent: ****Dec. 17, 1996**

[54] **CABLE CONNECTOR**

[75] Inventor: **Noel Lee**, Daly City, Calif.

[73] Assignee: **Monster Cable International, Ltd.**,
Hamilton, Bermuda

D. 325,023	3/1992	Lee et al. .	
D. 328,280	7/1992	Lee .	
D. 329,223	9/1992	Lee .	
4,270,832	6/1981	Tanabe	439/578 X
4,932,897	6/1990	Lee et al. .	
4,995,836	2/1991	Toramoto	439/578 X

[*] Notice: The portion of the term of this patent subsequent to Feb. 6, 2010, has been disclaimed.

Primary Examiner—Joel Sincavage
Attorney, Agent, or Firm—Haynes and Boone, L.L.P.

[**] Term: **14 Years**

[57] **CLAIM**

The ornamental design for the cable connector, as shown and described.

[21] Appl. No.: **32,660**

[22] Filed: **Dec. 22, 1994**

[52] U.S. Cl. **D13/133**

[58] Field of Search D13/133; 439/578,
439/668, 669, 675, 751, 825, 583, 584

DESCRIPTION

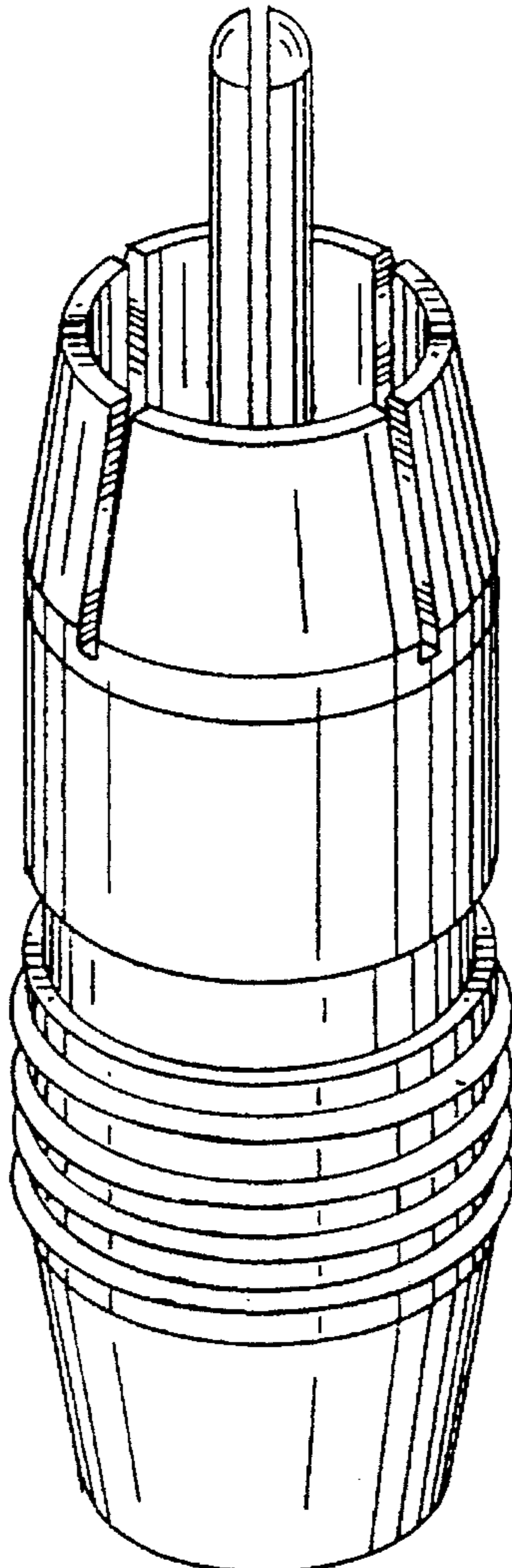
FIG. 1 is a perspective view of the cable connector showing my new design;
FIG. 2 is a front elevational view thereof;
FIG. 3 is a top plan view thereof; and,
FIG. 4 is a bottom plan view thereof.

[56] **References Cited**

U.S. PATENT DOCUMENTS

D. 323,643 2/1992 Lee .

1 Claim, 1 Drawing Sheet



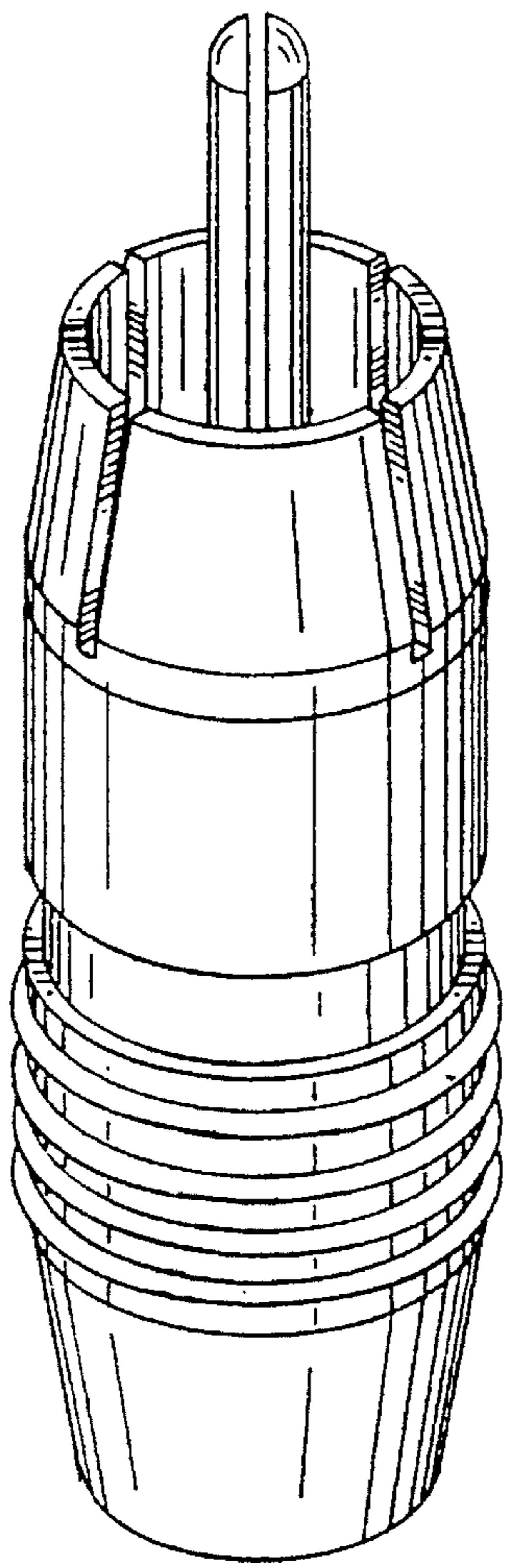


FIG. 1

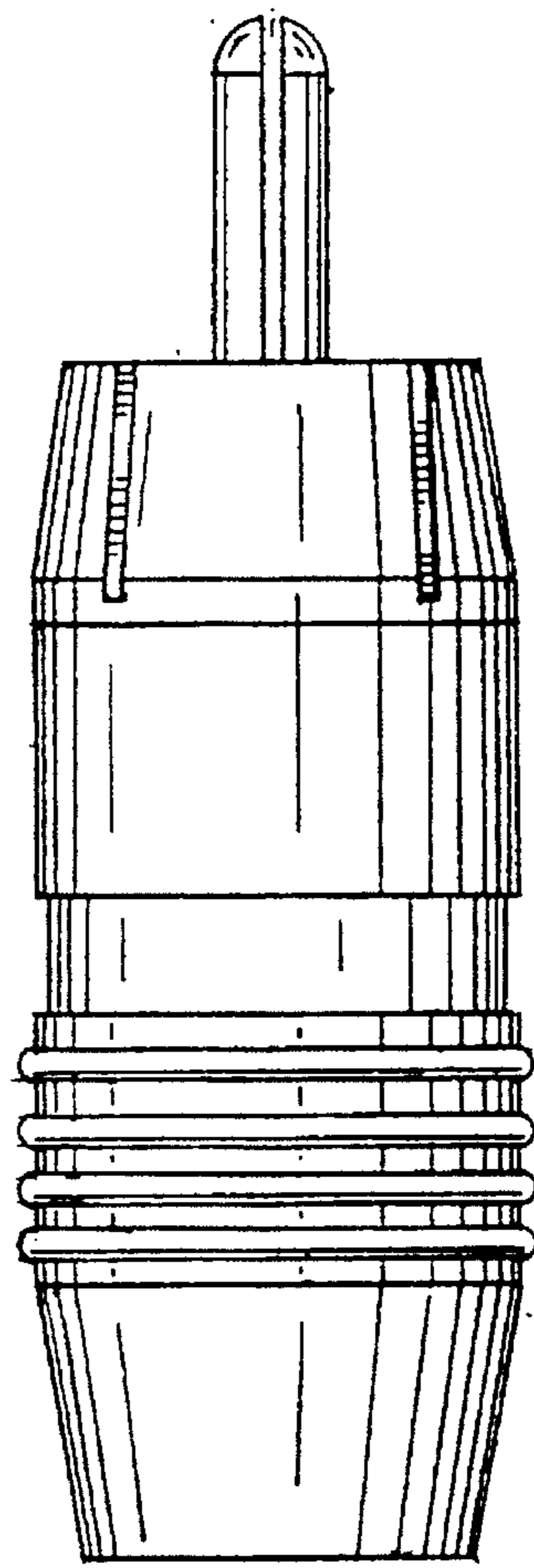


FIG. 2

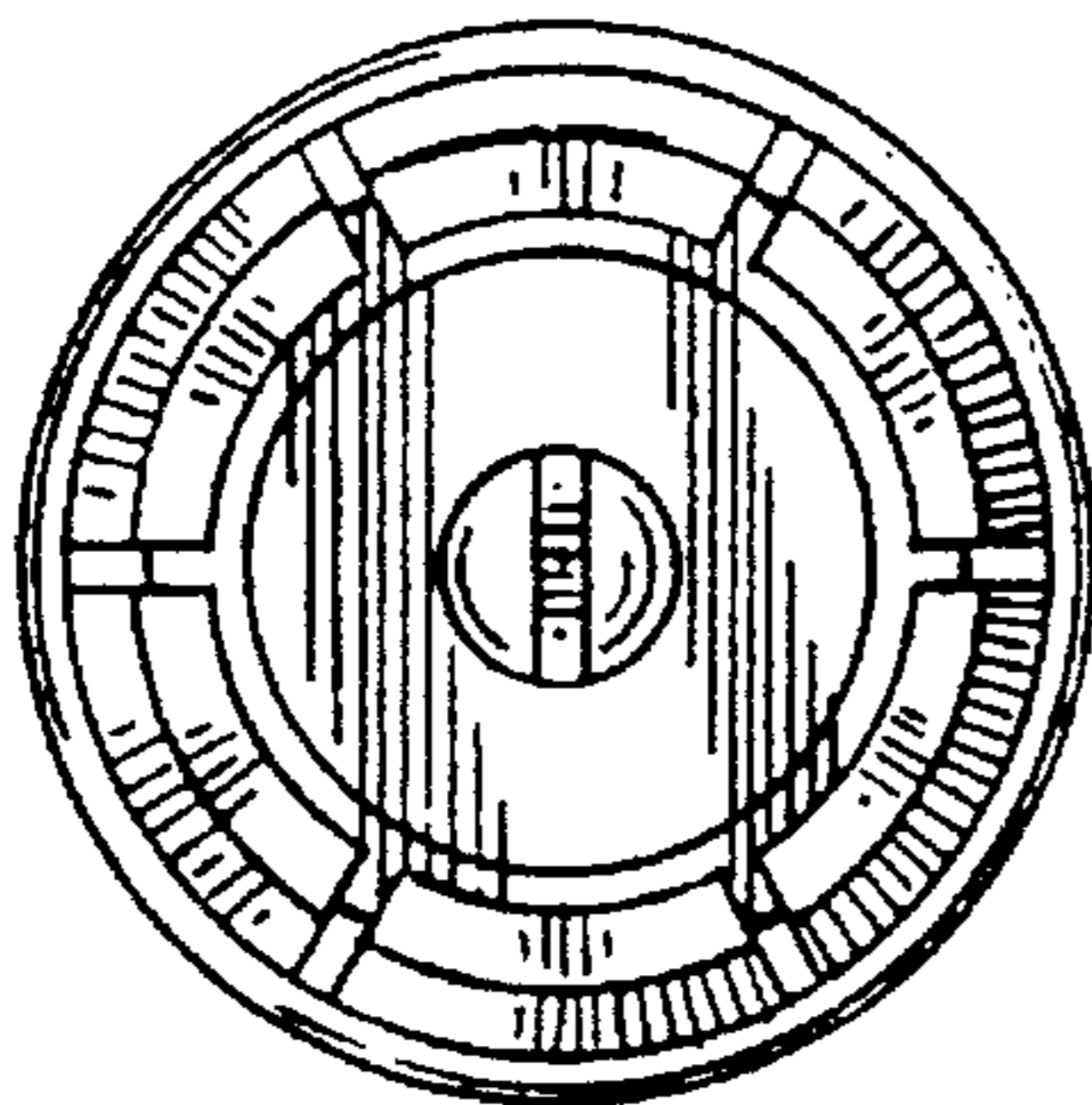


FIG. 3

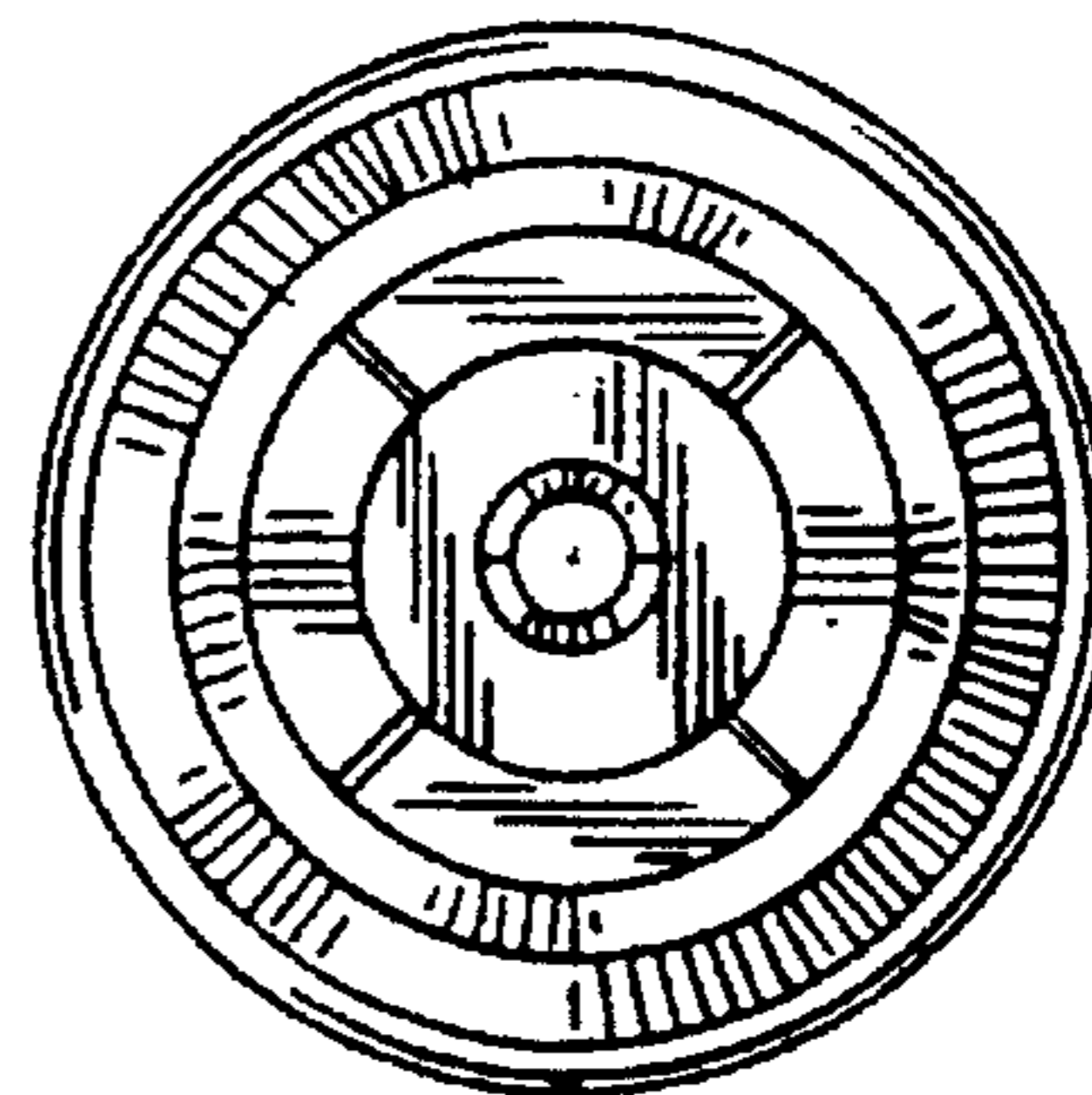


FIG. 4