



US00D376577S

# United States Patent [19]

[11] Patent Number: **Des. 376,577**

Avery

[45] Date of Patent: **\*\*Dec. 17, 1996**

[54] **SPORTS EQUIPMENT RACK FOR THE BED OF A PICKUP TRUCK**

5,498,015 3/1996 Trout et al. .... 280/293

[76] Inventor: **John R. Avery**, 13727 Esprit Ave., San Diego, Calif. 92128

[\*\*] Term: **14 Years**

[21] Appl. No.: **46,766**

[22] Filed: **Nov. 13, 1995**

[52] U.S. Cl. .... **D12/408**

[58] Field of Search ..... D12/408, 115; D6/552, 513; 224/403, 507, 541, 550, 555, 500, 534-537; 211/17-22; 280/293, 301

[56] **References Cited**

**U.S. PATENT DOCUMENTS**

D. 232,627	9/1974	Rossi	.....	D12/115
D. 341,348	11/1993	Williams	.....	D12/408
D. 353,353	12/1994	Katsaros	.....	D12/115
4,371,082	2/1983	Hostert et al.	.....	211/22
5,385,246	1/1995	Grossnickle	.....	211/22
5,458,389	10/1995	Young	.....	224/500
5,469,997	11/1995	Carlson	.....	224/507

**OTHER PUBLICATIONS**

J C Whitney & Co Catalog, No. 575C, ©1995, p. 88, the Receiver-Mount Bike Carrier.

*Primary Examiner*—Melody N. Brown  
*Attorney, Agent, or Firm*—Charles C. Logan, II

[57] **CLAIM**

The ornamental design for a sports equipment rack for the bed of a pickup truck, as shown and described.

**DESCRIPTION**

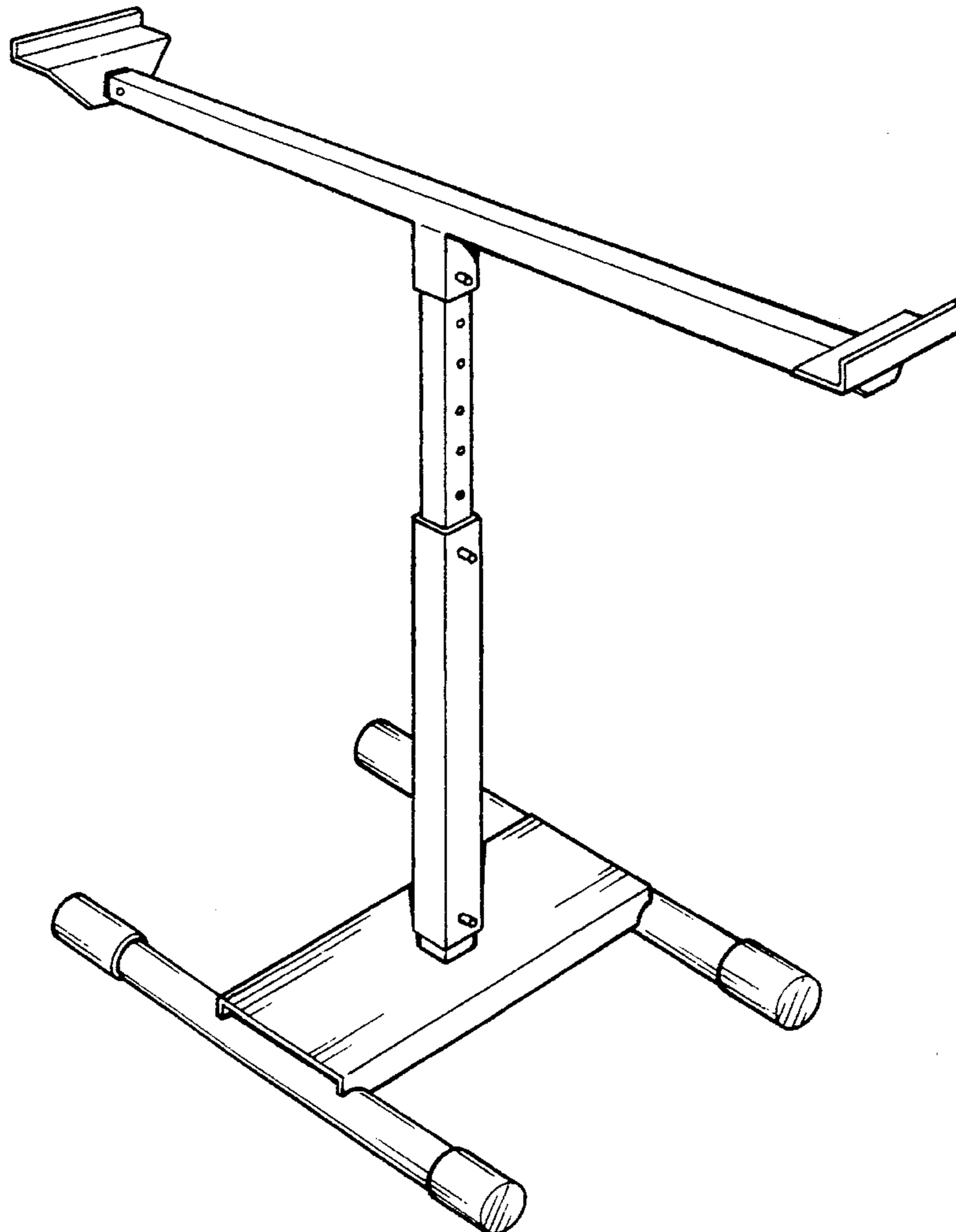
FIG. 1 is a front perspective view of the novel sports equipment rack for the bed of a pickup truck showing my new design;

FIG. 2 is a left side elevation view thereof and the right side elevation view is identical;

FIG. 3 is a front elevation view thereof and the rear elevation view is identical; and,

FIG. 4 is a bottom plan view thereof.

**1 Claim, 1 Drawing Sheet**



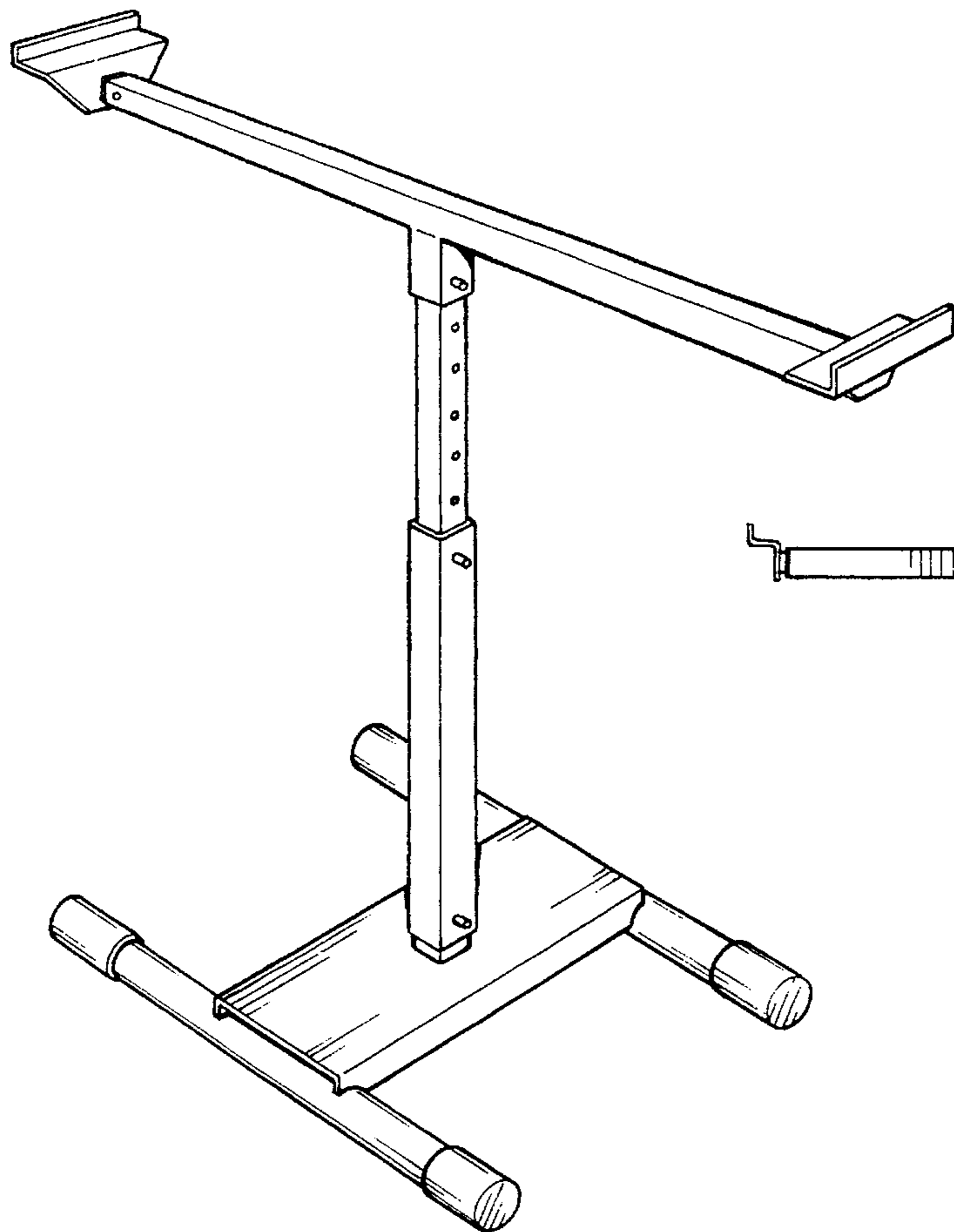


FIGURE 1

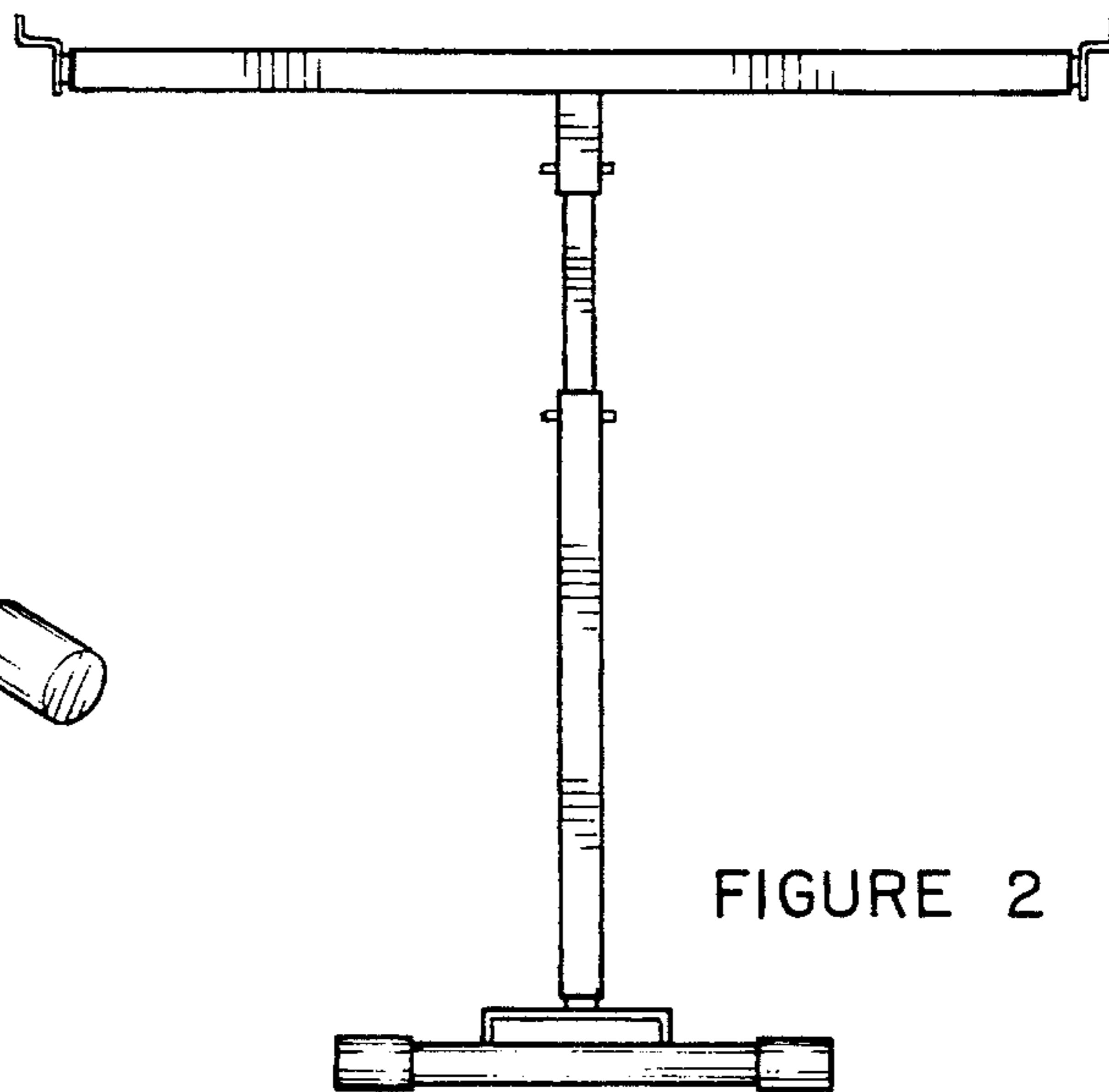


FIGURE 2

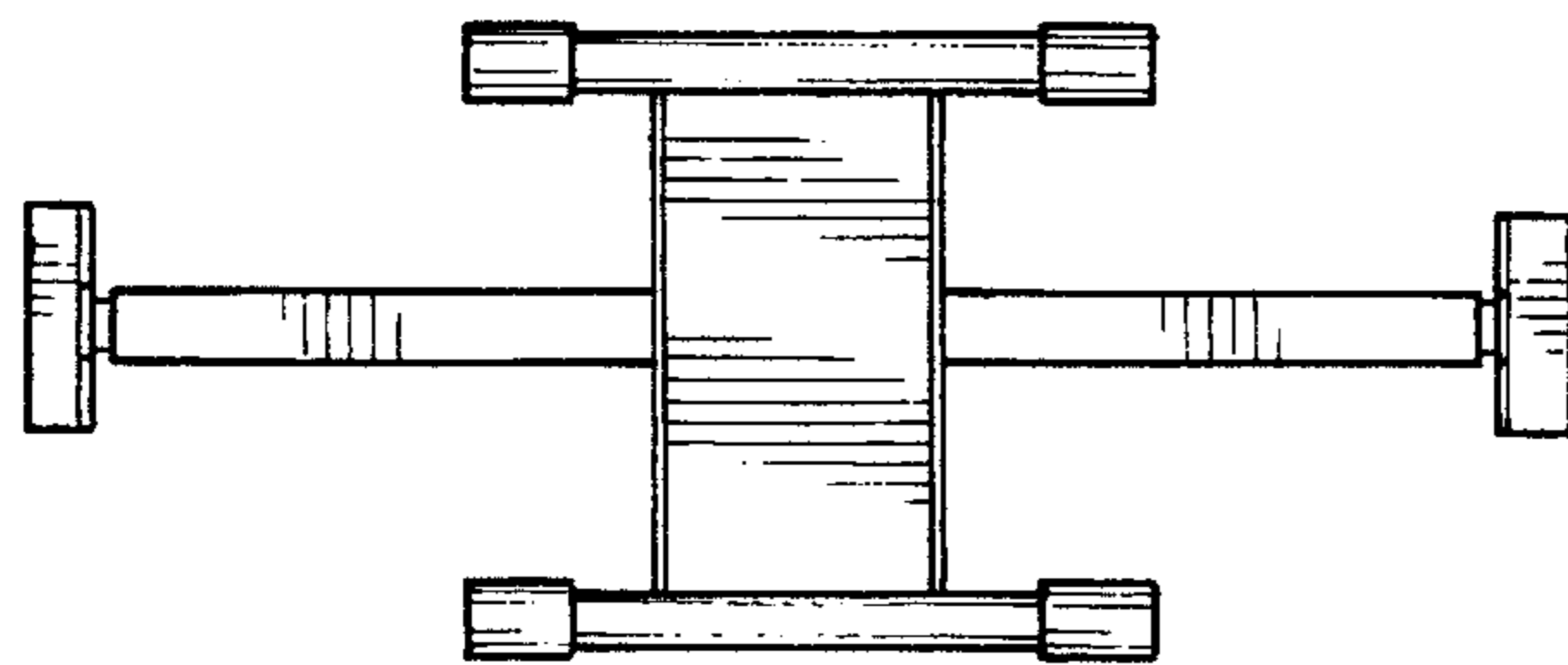


FIGURE 4

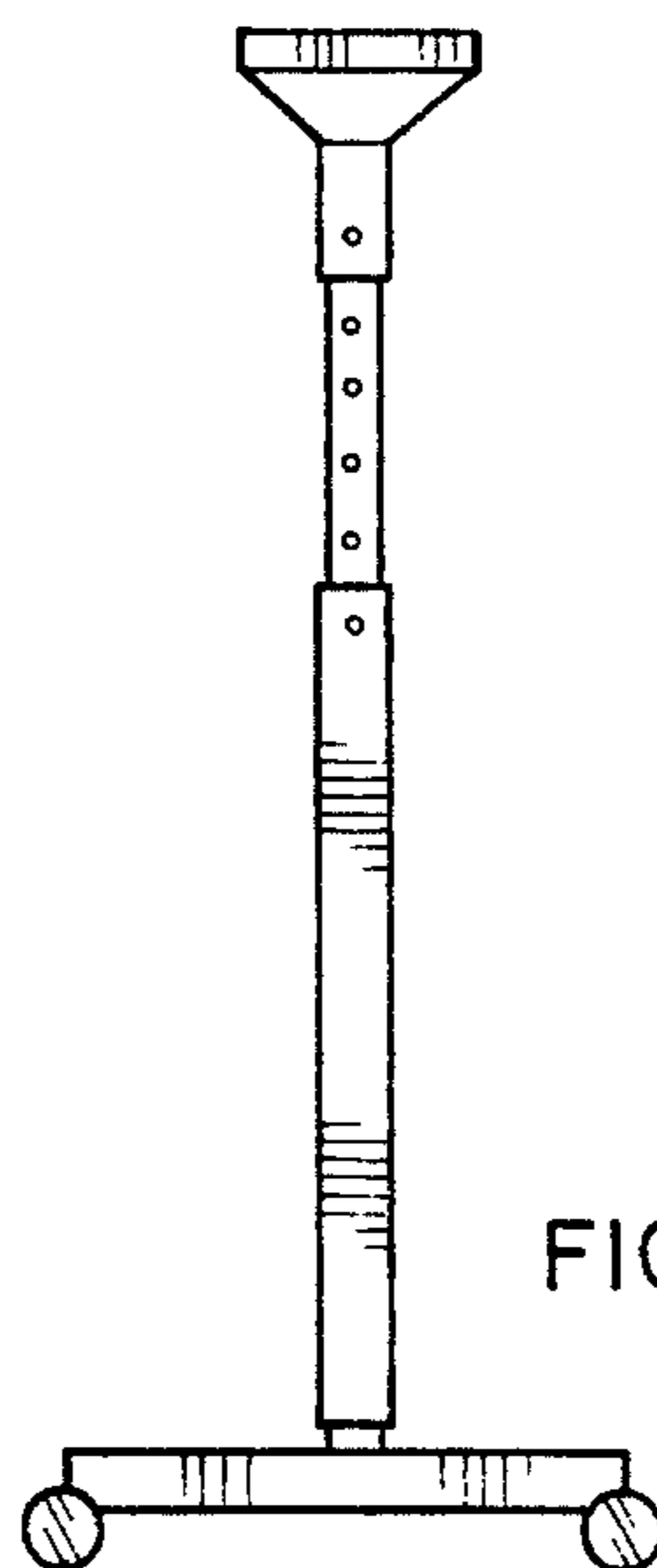


FIGURE 3