



US00D376576S

# United States Patent [19]

[11] Patent Number: **Des. 376,576**

Pratt

[45] Date of Patent: **\*\*Dec. 17, 1996**

[54] **CONTROL PANEL MODULE**

D. 300,020 2/1989 Petrilli ..... D12/317

[76] Inventor: **Bruce E. Pratt**, P.O. Box 100-278,  
North Shore Mail Centre, Auckland  
1310, New Zealand

*Primary Examiner*—Kay H. Chin  
*Attorney, Agent, or Firm*—Young & Thompson

[\*\*] Term: **14 Years**

[57] **CLAIM**

The ornamental design for a control panel module, as shown and described.

[21] Appl. No.: **36,299**

[22] Filed: **Mar. 17, 1995**

**DESCRIPTION**

[30] **Foreign Application Priority Data**

FIG. 1 is a top plan view of a control panel module showing my new design;

Nov. 18, 1994 [NZ] New Zealand ..... 26326

[52] U.S. Cl. .... **D12/317; D12/192**

FIG. 2 is a view thereof taken from the bottom of FIG. 1;

[58] Field of Search ..... D12/317, 318,  
D12/192; 114/343; 296/37.12, 70

FIG. 3 is a bottom plan view thereof; and,

FIG. 4 is a perspective view thereof.

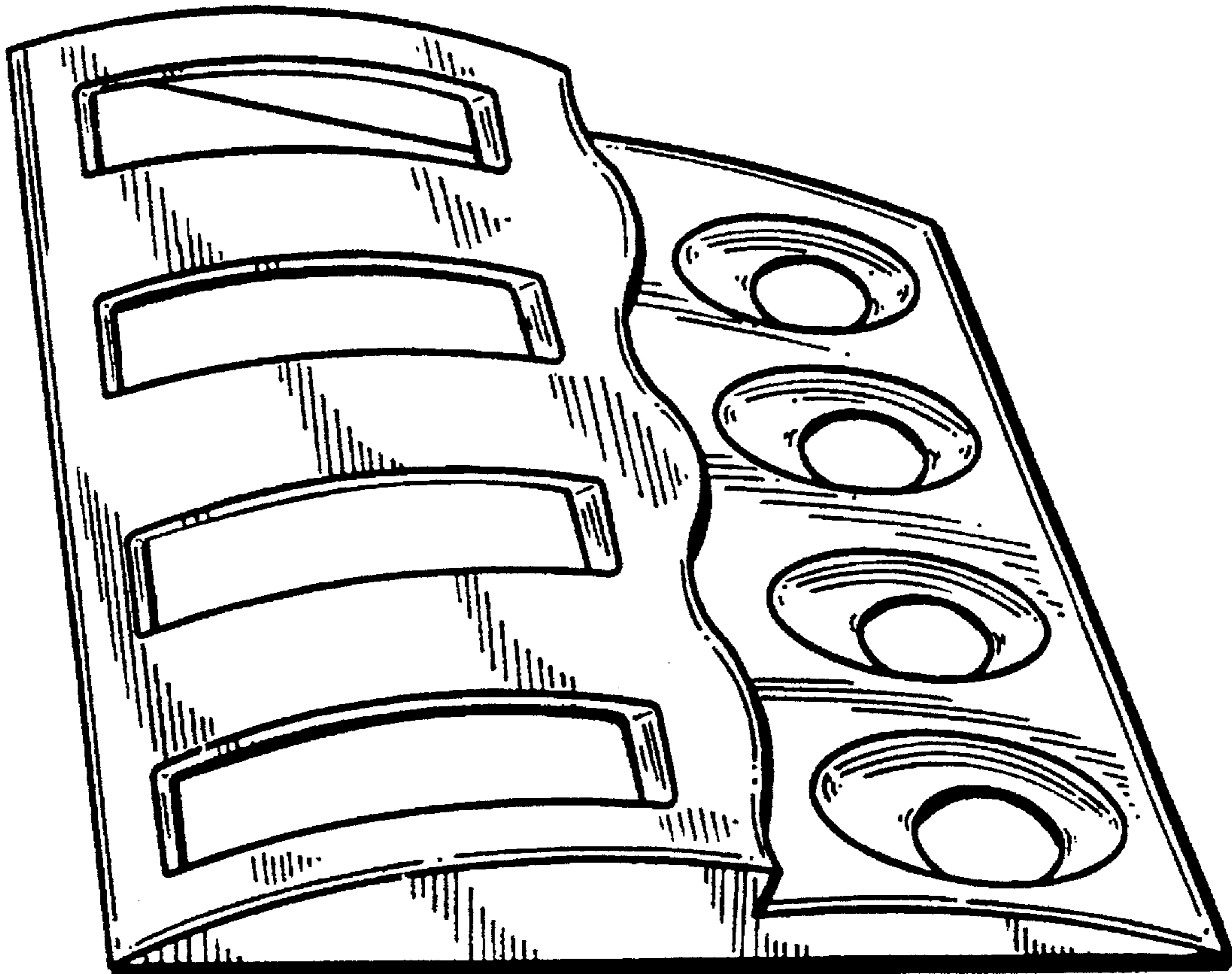
The side opposite that shown in FIG. 2 is the mirror image thereof.

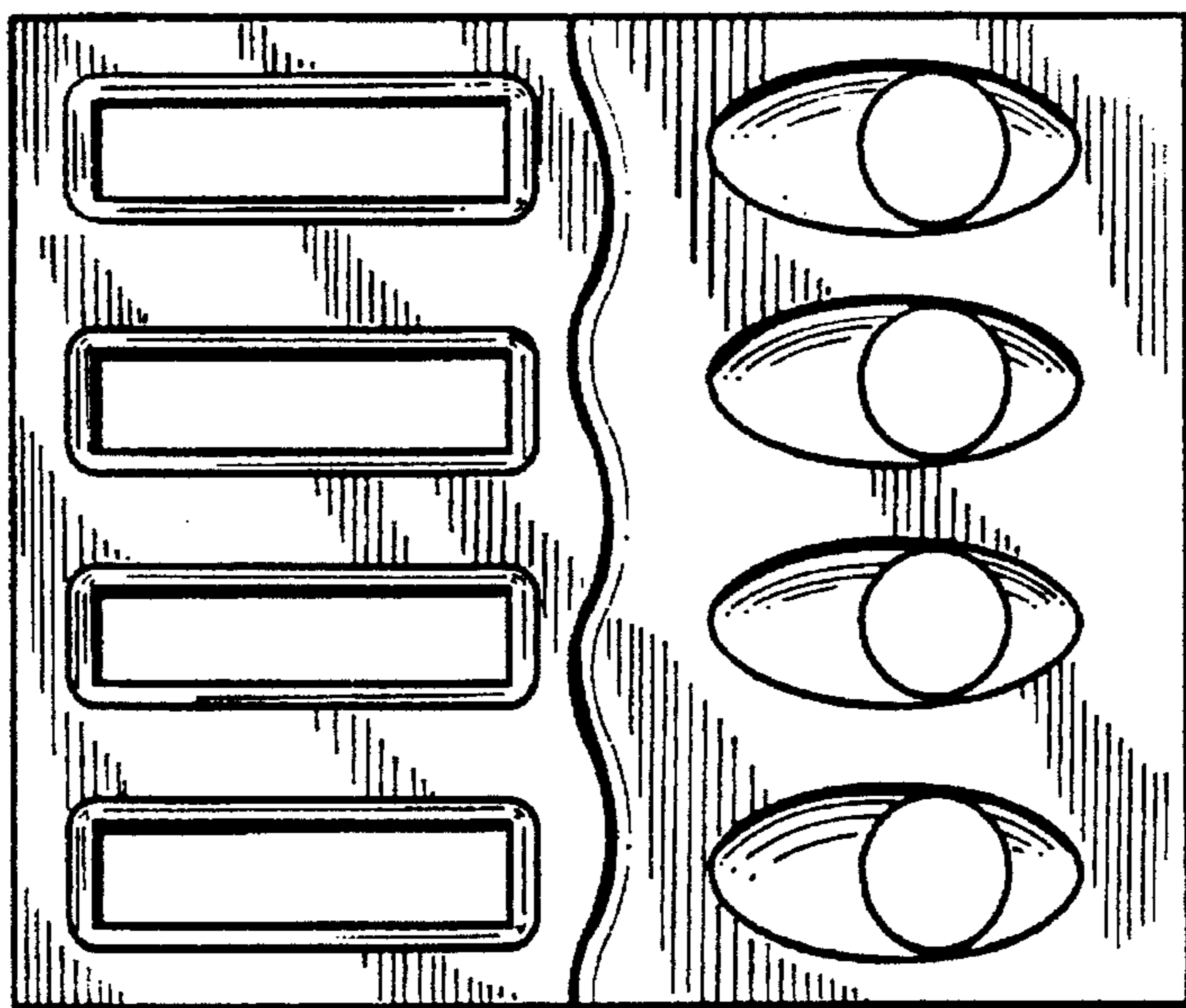
[56] **References Cited**

**U.S. PATENT DOCUMENTS**

D. 260,755 9/1981 Shirley ..... D12/317

**1 Claim, 2 Drawing Sheets**

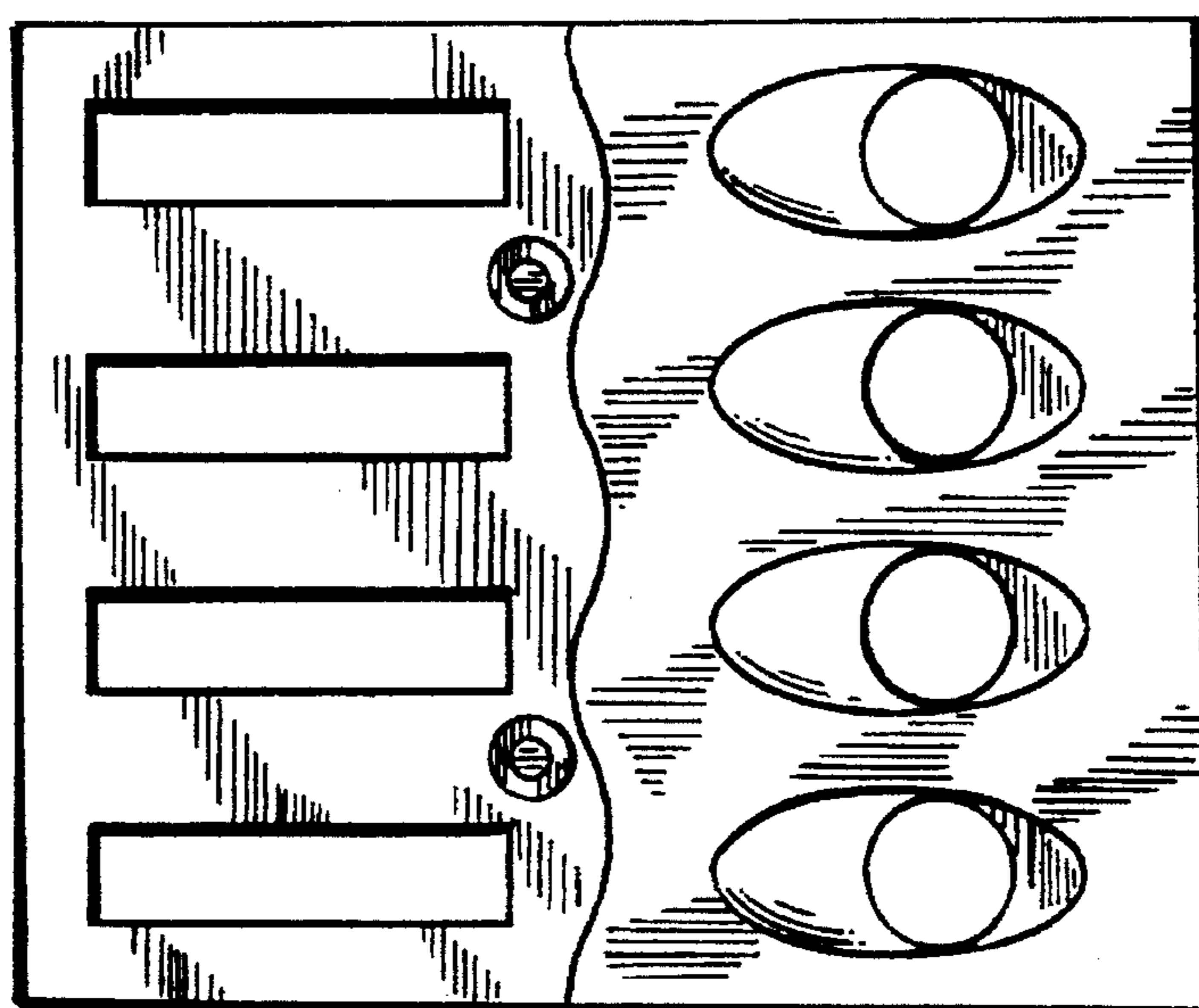




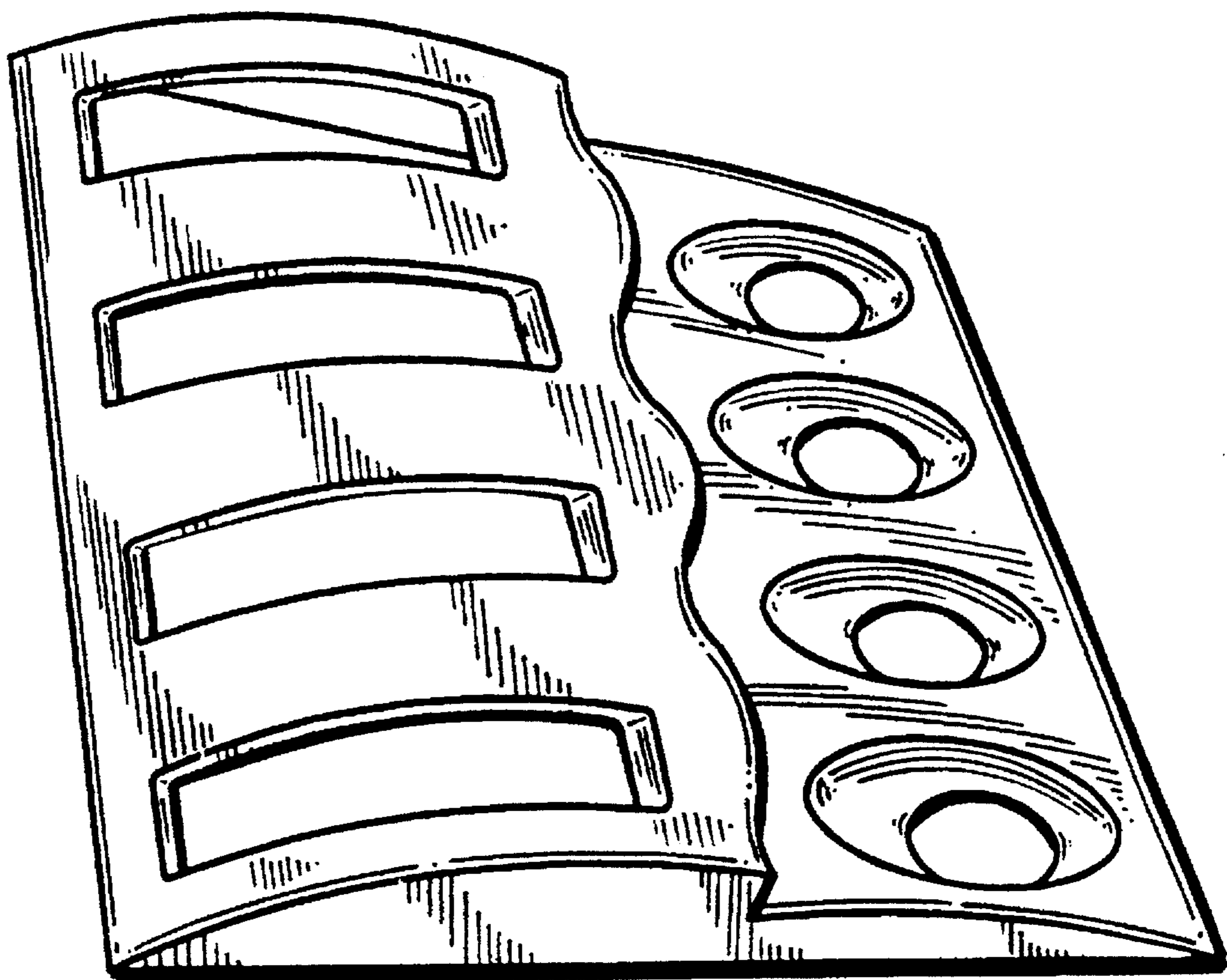
**FIG. 1**



**FIG. 2**



**FIG. 3**



**FIG. 4**