



US00D376575S

United States Patent [19]

Chen

[11] Patent Number: **Des. 376,575**

[45] Date of Patent: ****Dec. 17, 1996**

[54] **WIPER**

[76] Inventor: **Liang-Yuan Chen**, No. 180, Hsinmin St., Tamshui, Taipei Hsien, Taiwan

[**] Term: **14 Years**

[21] Appl. No.: **42,829**

[22] Filed: **Aug. 18, 1995**

[52] U.S. Cl. **D12/219**

[58] Field of Search D12/219, 220; 15/250.07, 250.32-250.36, 250.4, 250.40-250.42

4,766,636 8/1988 Shinpo 15/250.42
 5,168,595 12/1992 Naylor, Jr. 15/250.41

Primary Examiner—A. Hugo Word
Assistant Examiner—Melody Brown
Attorney, Agent, or Firm—Morton J. Rosenberg; David I. Klein

[56] **References Cited**

U.S. PATENT DOCUMENTS

D. 308,660 6/1990 Fisher D12/219
 D. 332,593 1/1993 Genardiello et al. D12/219
 D. 340,437 10/1993 Yany D12/219
 D. 345,330 3/1994 Yany D12/219
 D. 354,473 1/1995 Lee D12/219
 3,056,991 10/1962 Smithers 15/250.41

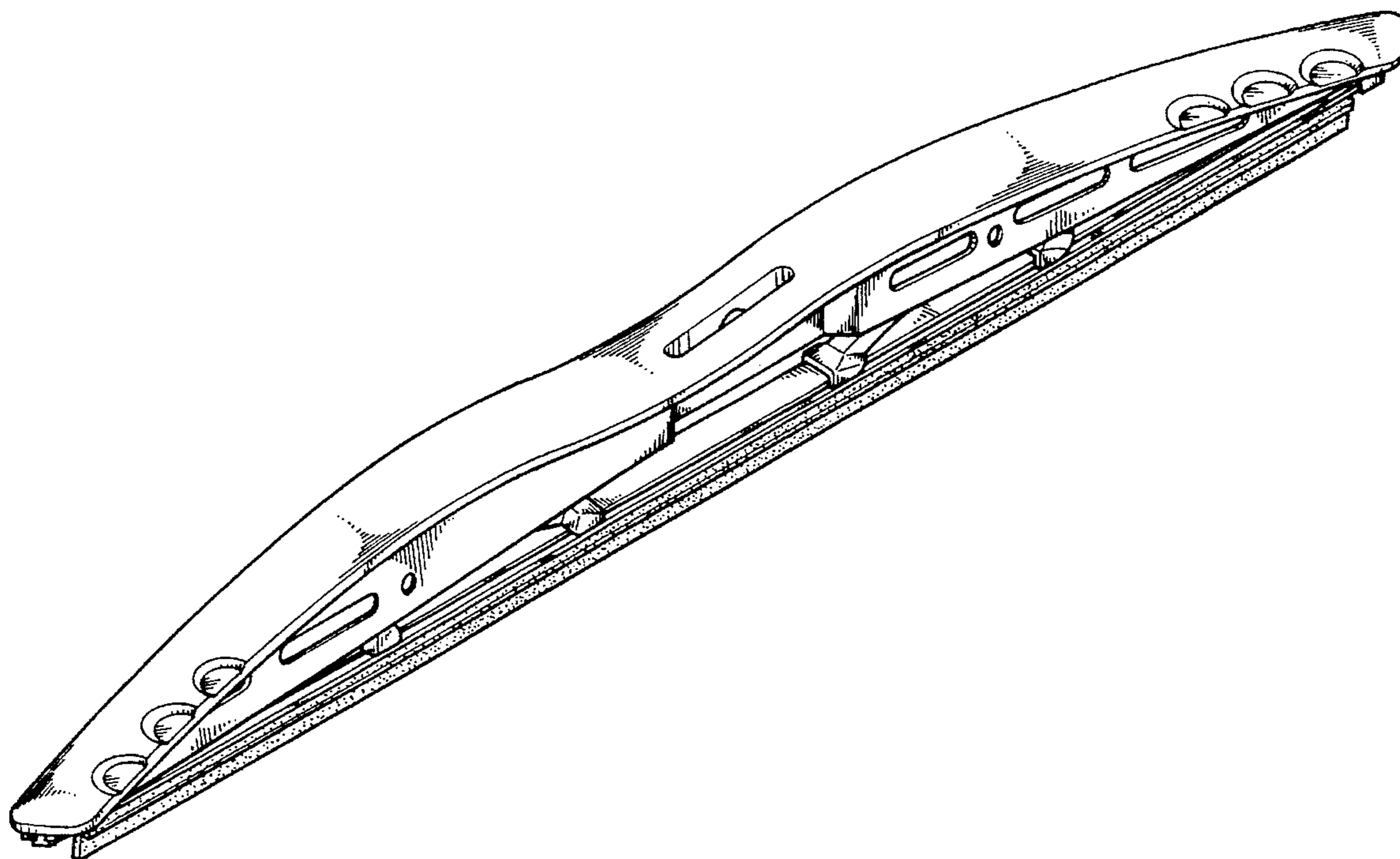
[57] **CLAIM**

The ornamental design for a wiper, as shown and described.

DESCRIPTION

FIG. 1 is a perspective view of a wiper showing my new design;
 FIG. 2 is a front side elevational view thereof;
 FIG. 3 is a rear side elevational view thereof;
 FIG. 4 is a left view thereof;
 FIG. 5 is a right view thereof;
 FIG. 6 is a top plan view thereof; and,
 FIG. 7 is a bottom plan view thereof.

1 Claim, 3 Drawing Sheets



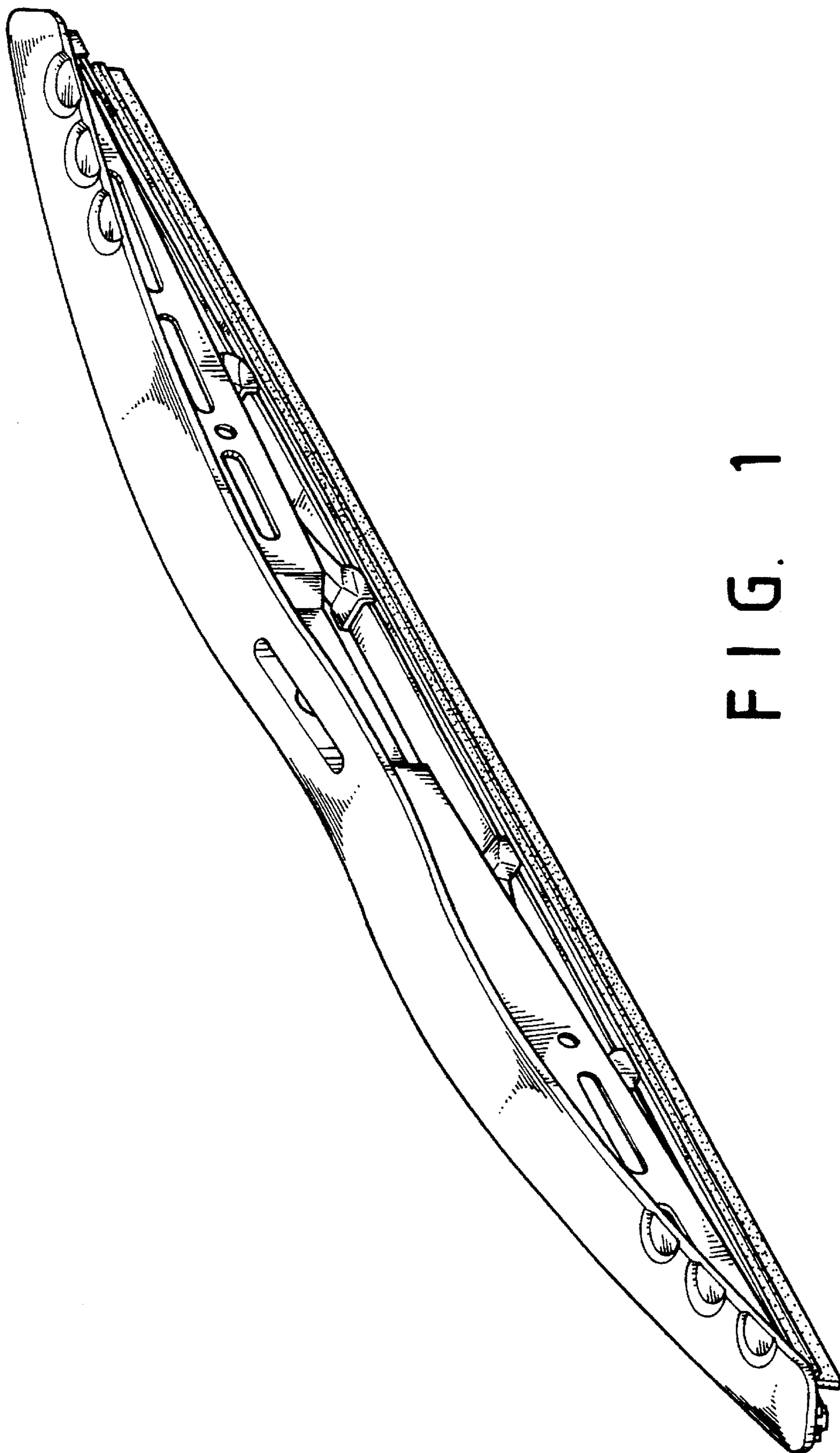


FIG. 1

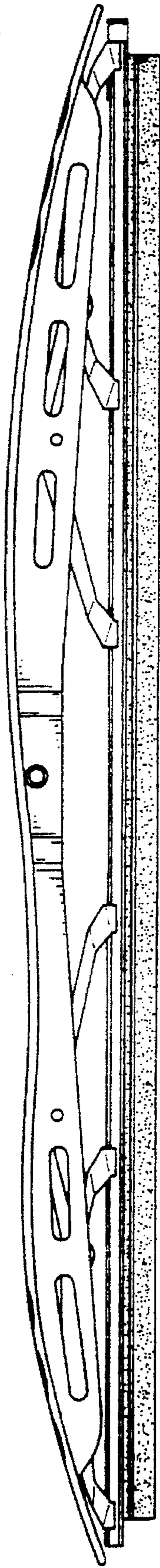


FIG. 2

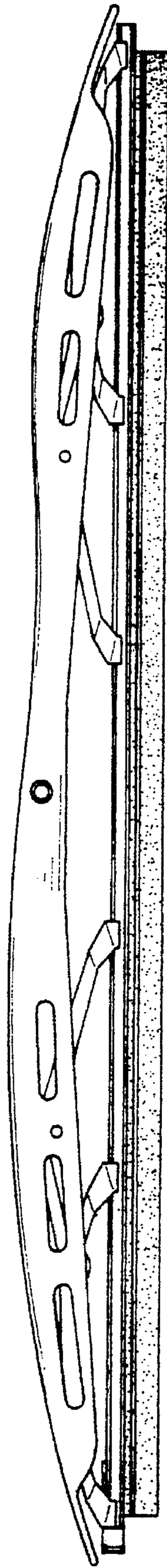


FIG. 3

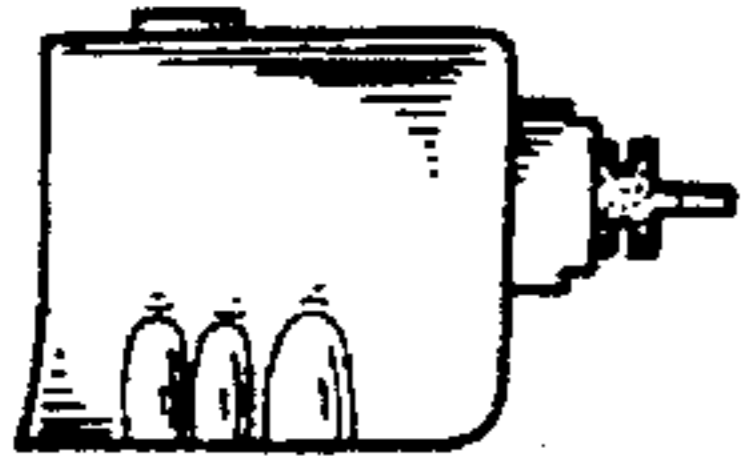
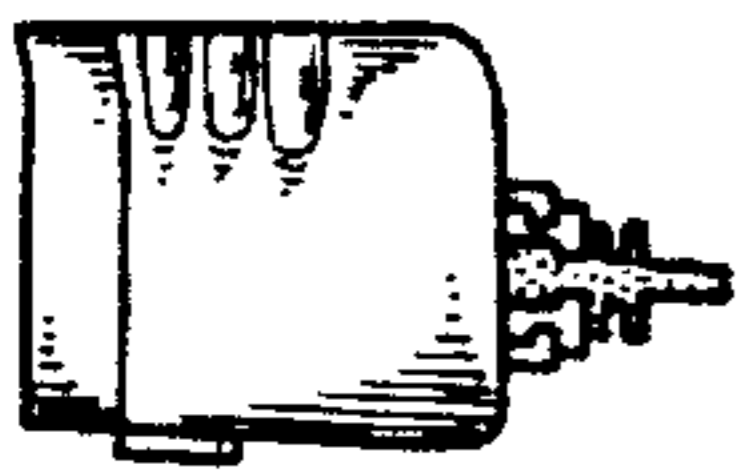


FIG. 4 FIG. 5



FIG. 6

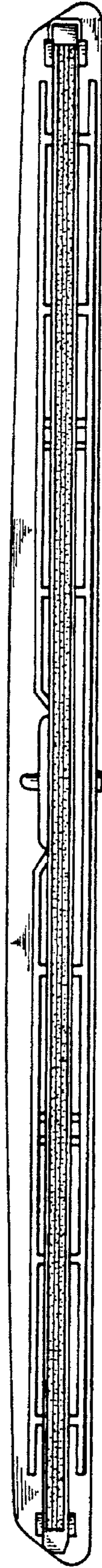


FIG. 7