



US00D376574S

United States Patent [19]

Niles

[11] Patent Number: **Des. 376,574**

[45] Date of Patent: ****Dec. 17, 1996**

[54] FRONT FACE OF A VEHICLE WHEEL

[76] Inventor: **Ellsworth Niles**, 627 Columbus Ave., Boston, Mass. 02118

[**] Term: **14 Years**

[21] Appl. No.: **40,030**

[22] Filed: **Jun. 8, 1995**

[52] U.S. Cl. **D12/211**

[58] Field of Search D12/205, 209, D12/211; 301/64.1, 64.7, 65

[56] References Cited

U.S. PATENT DOCUMENTS

- D. 285,916 9/1986 Walter D12/211
- D. 286,037 10/1986 Walter D12/211

FOREIGN PATENT DOCUMENTS

- 3620097 12/1987 Germany 301/64.7

OTHER PUBLICATIONS

European Car Sep. 1995 Fondmetal Tech Line Wheels p. 115, first three top of page.
 Autoweek Mar. 27, 1995 Antera Type 125 Wheel p. 30 second from top right.

Primary Examiner—Freda Nunn

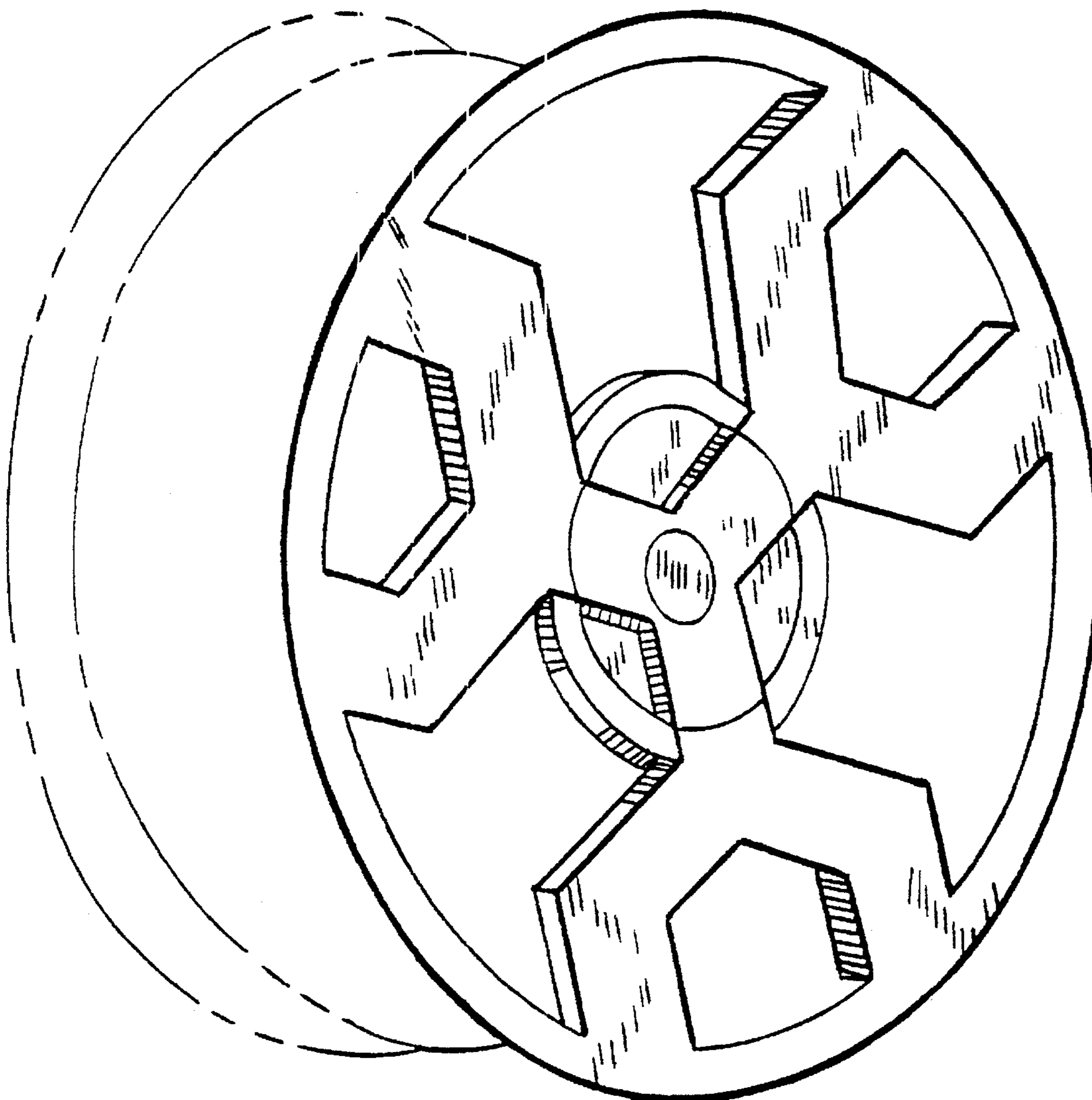
[57] CLAIM

The ornamental design for the front face of a vehicle wheel, as shown and described.

DESCRIPTION

FIG. 1 is a front elevation view of the front face of a vehicle wheel showing my new design; and, FIG. 2 is a front perspective view thereof, it being understood that the broken line showing of the outer surface of the rim is for illustrative purposes only and forms no part of the claimed design.

1 Claim, 2 Drawing Sheets



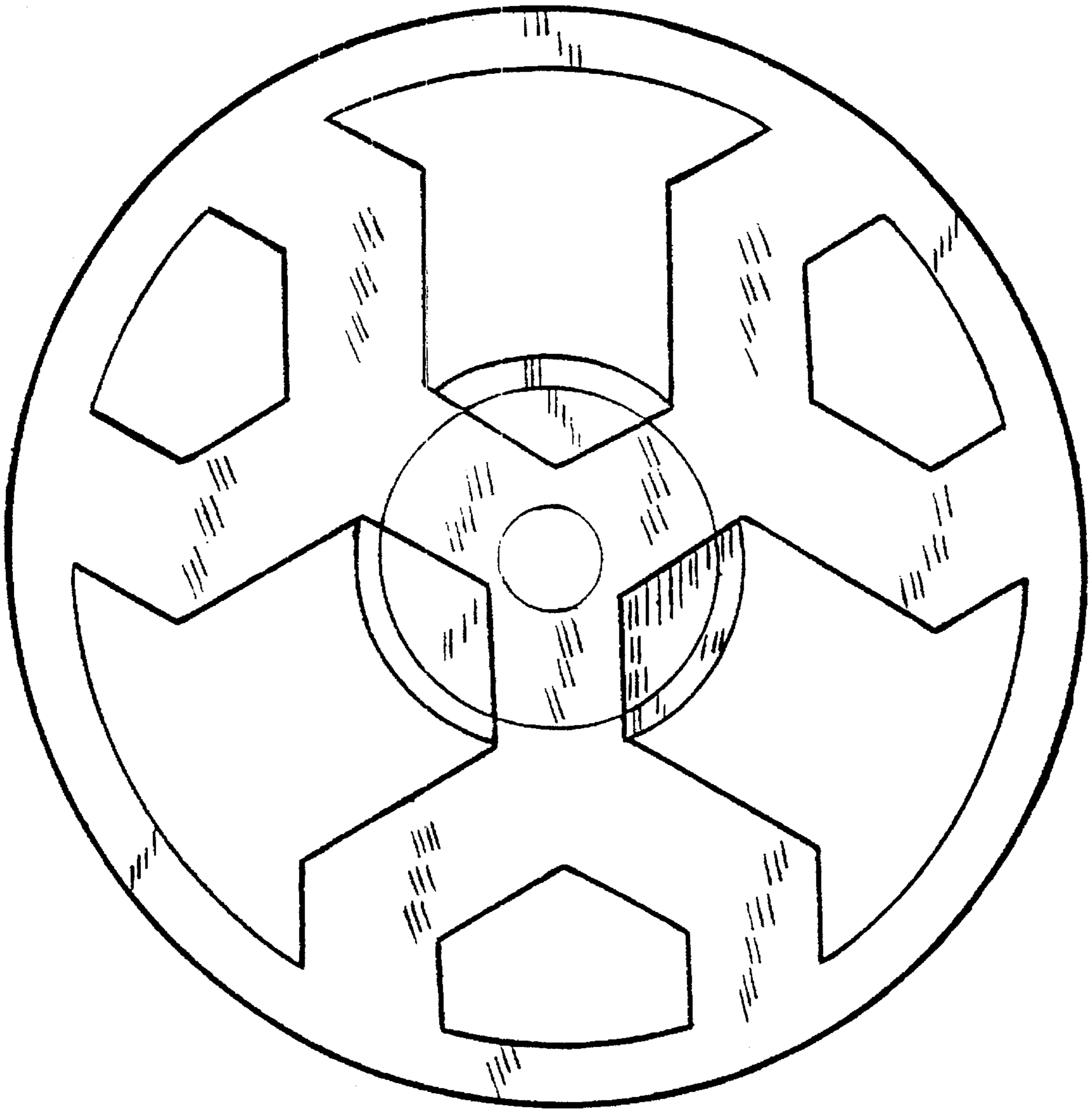


FIG. 1

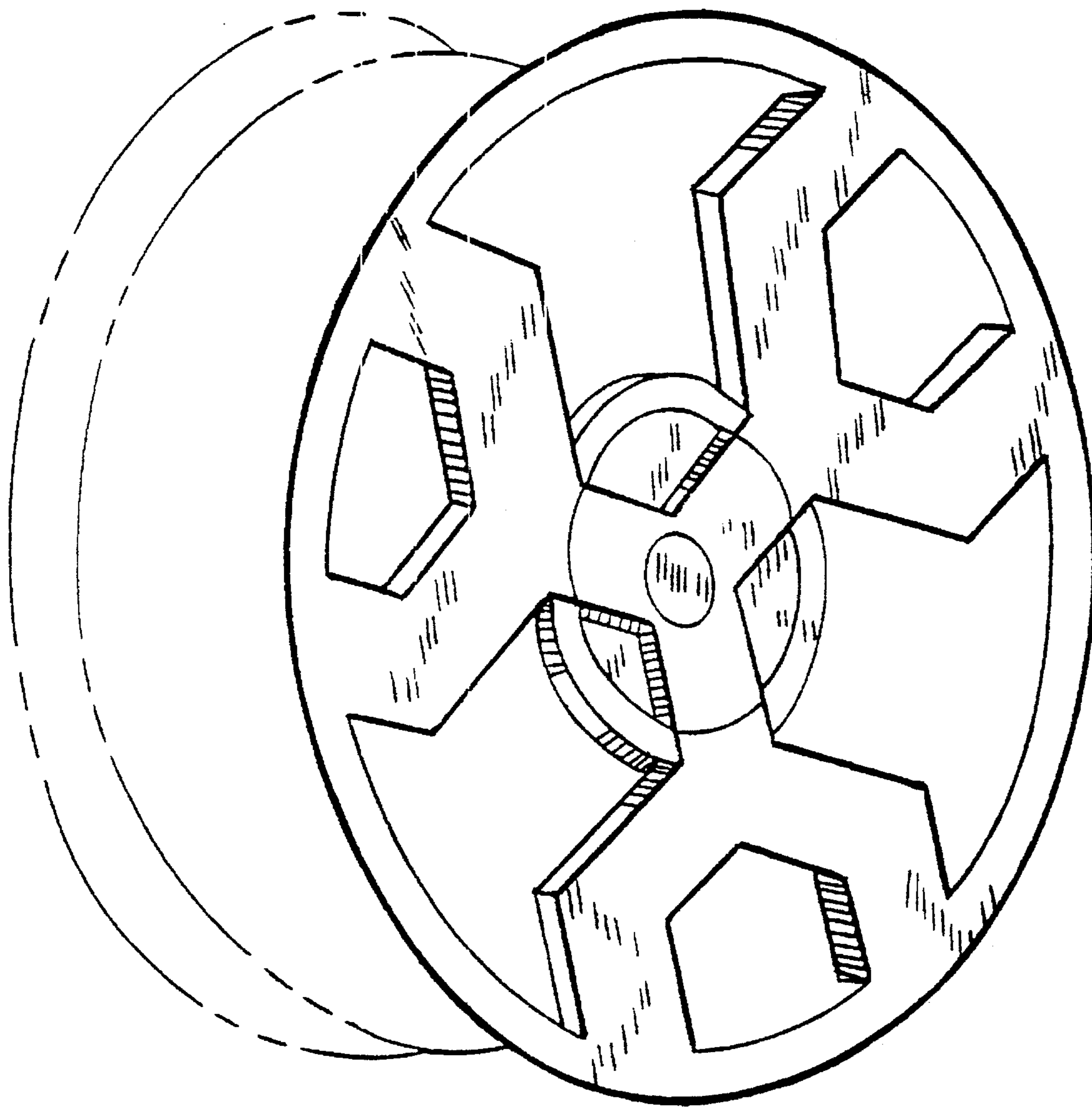


FIG. 2