



US00D376573S

United States Patent [19]

[11] Patent Number: **Des. 376,573**

Niles

[45] Date of Patent: ****Dec. 17, 1996**

[54] FRONT FACE OF A VEHICLE WHEEL

328,555	10/1885	Wing	301/65
361,914	4/1887	Wing	D12/205
1,521,834	1/1925	Raymond	301/65

[76] Inventor: **Ellsworth Niles**, 627 Columbus Ave., Boston, Mass. 02118

Primary Examiner—Freda Nunn

[**] Term: **14 Years**

[57] **CLAIM**

[21] Appl. No.: **40,029**

The ornamental design for the front face of a vehicle wheel, as shown and described.

[22] Filed: **Jun. 8, 1995**

[52] U.S. Cl. **D12/211**

DESCRIPTION

[58] Field of Search D12/205, 209, D12/211; 301/64.1, 64.7, 65

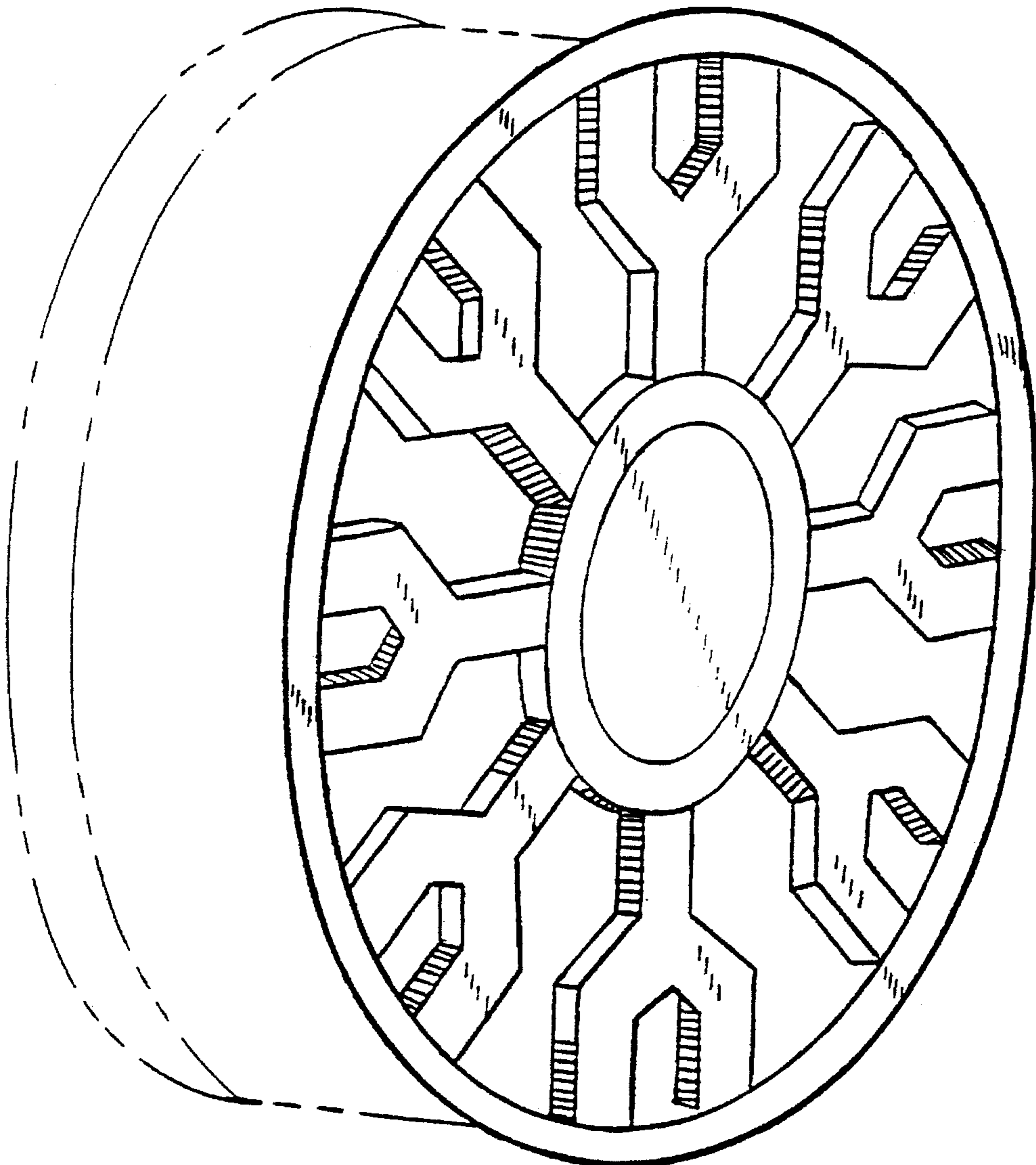
FIG. 1 is a front elevation view of the front face of a vehicle wheel showing my new design; and, FIG. 2 is a front perspective view thereof, it being understood that the broken line showing of the outer surface of the rim is for illustrative purposes only and forms no part of the claimed design.

[56] References Cited

U.S. PATENT DOCUMENTS

D. 46,710	11/1914	West	D12/205
D. 268,260	3/1983	Kershbaum et al.	D12/209
D. 284,073	6/1986	Flodman	D12/211

1 Claim, 2 Drawing Sheets



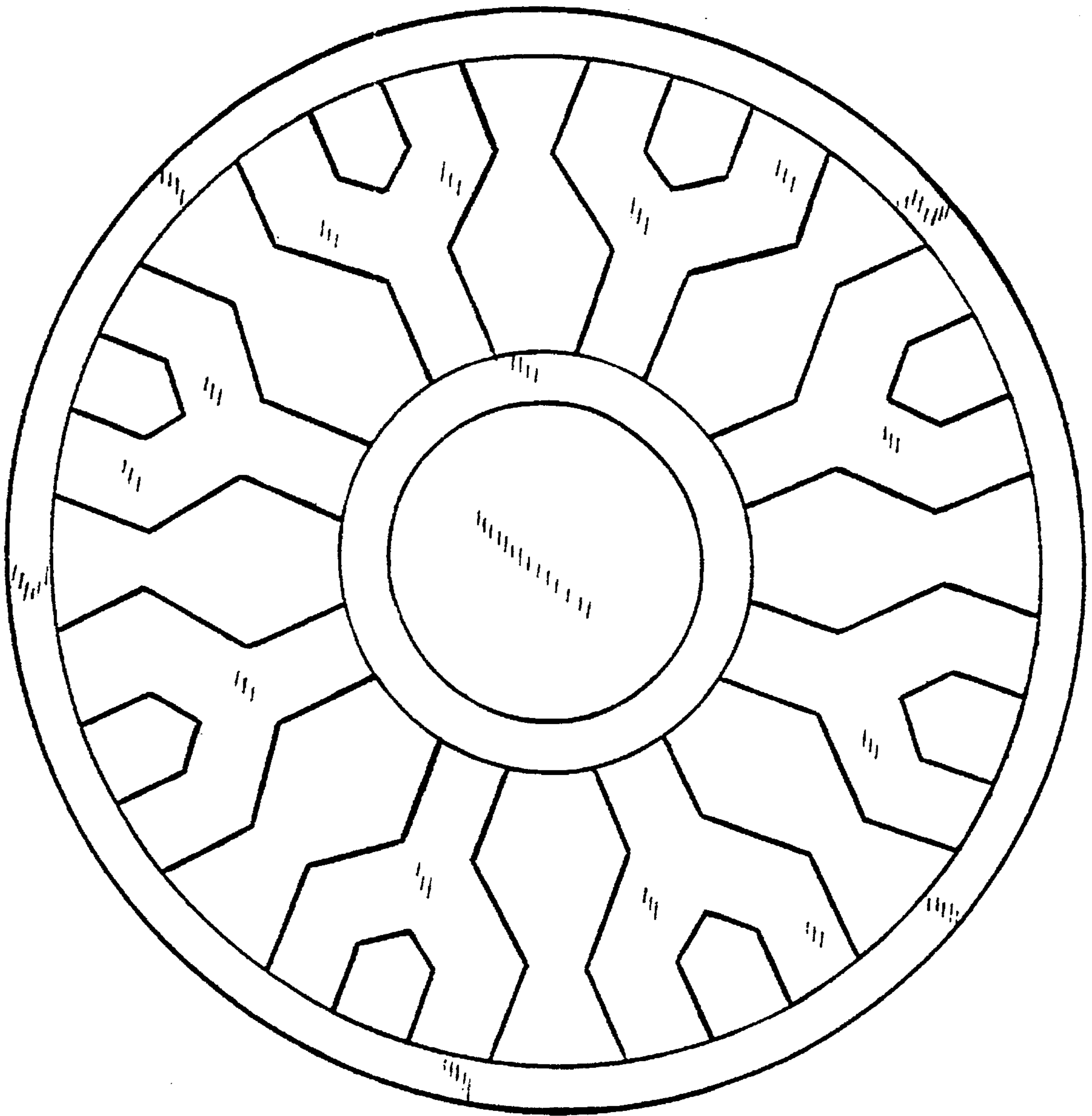


FIG. 1

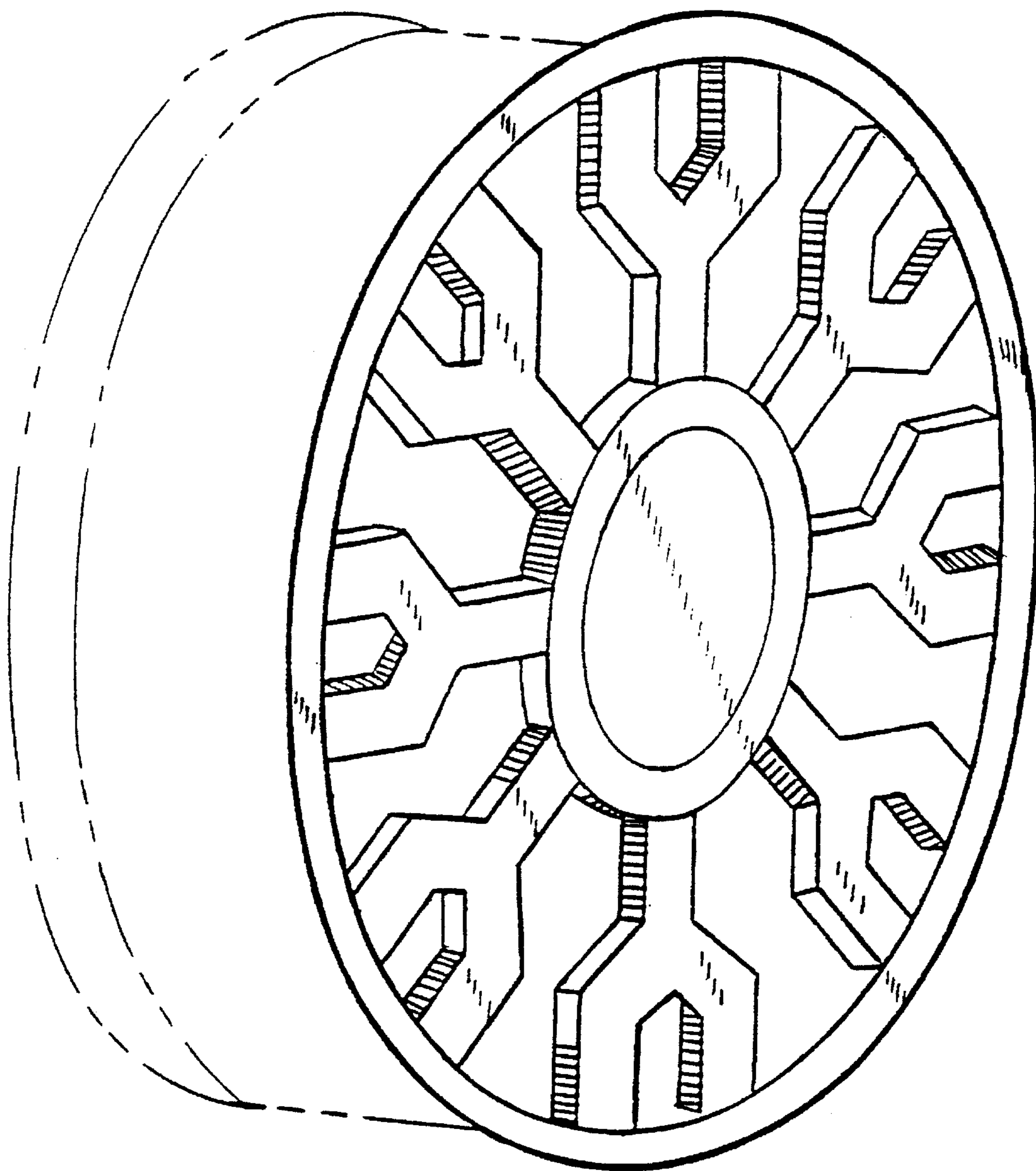


FIG. 2