



US00D376572S

# United States Patent [19]

Pfeiffer

[11] Patent Number: **Des. 376,572**

[45] Date of Patent: **\*\*Dec. 17, 1996**

[54] **FRONT FACE OF A VEHICLE WHEEL**

D. 361,546 8/1995 Weld ..... D12/209

[75] Inventor: **Peter Pfeiffer**, Boeblingen, Germany

[73] Assignee: **Mercedes-Benz AG**, Stuttgart, Germany

[\*\*] Term: **14 Years**

[21] Appl. No.: **26,212**

[22] Filed: **Jul. 21, 1994**

### [30] Foreign Application Priority Data

Jan. 21, 1994 [DE] Germany ..... M 94 00 462.5

Jun. 8, 1994 [DE] Germany ..... M 94 04 456.2

[52] U.S. Cl. .... **D12/209**

[58] Field of Search ..... D12/209, 211;  
301/37.1, 64.1, 65

### [56] References Cited

#### U.S. PATENT DOCUMENTS

D. 302,264 7/1989 Soederberg ..... D12/209

### OTHER PUBLICATIONS

Custom Wheel & Tire Guide p. 13 May 1994 (Freeway).

*Primary Examiner*—Marcus A. Jackson  
*Attorney, Agent, or Firm*—Evenson, McKeown, Edwards and Lenahan, P.L.L.C.

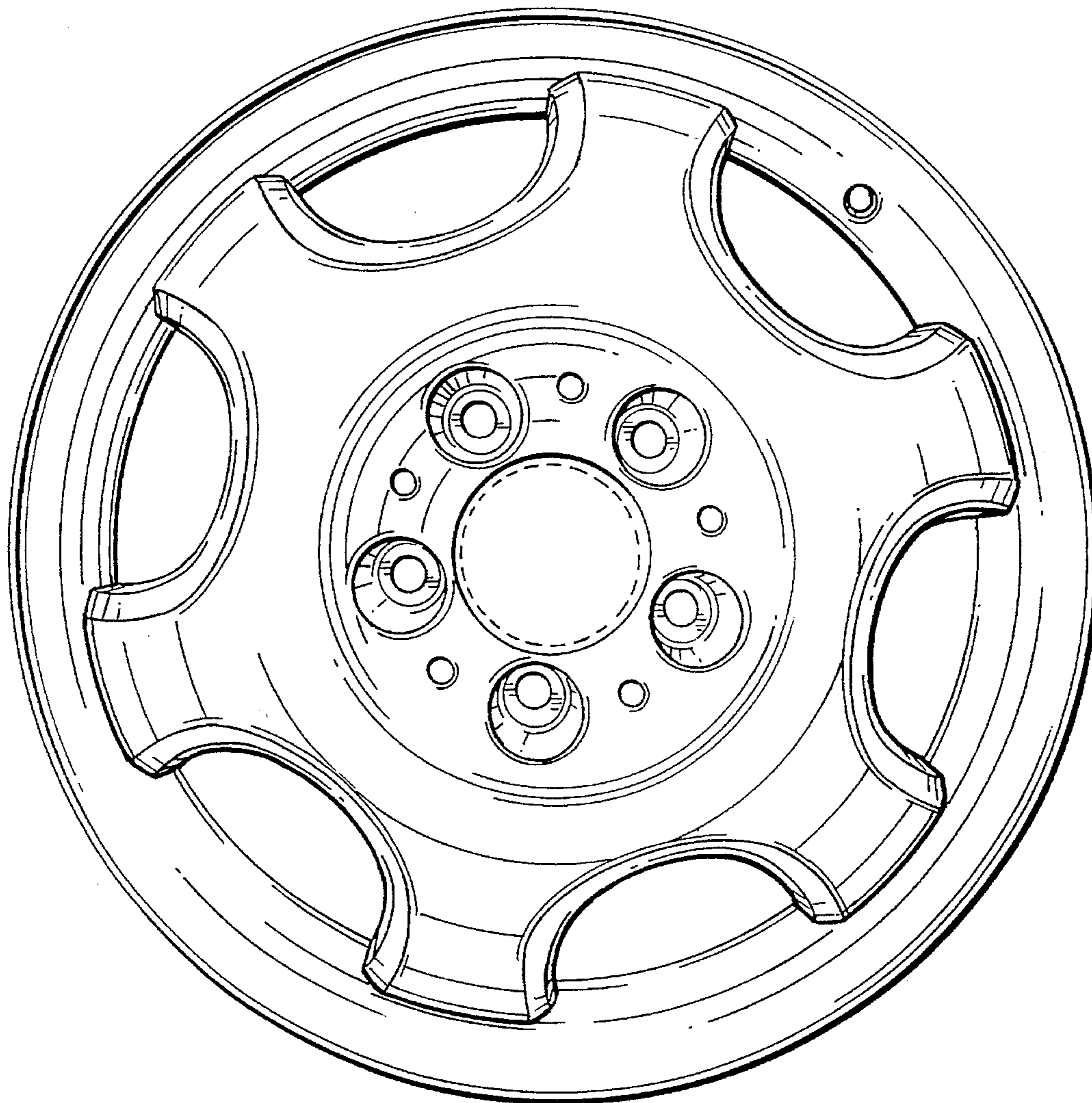
### [57] CLAIM

The ornamental design for a front face of a vehicle wheel, as shown and described.

### DESCRIPTION

FIG. 1 is a frontal view of the front face of a vehicle wheel according to my novel design; and, FIG. 2 is a perspective view of the front face of a vehicle wheel according to my novel design, with the broken line showing for illustrative purpose only and forming no part of the claimed design.

**1 Claim, 2 Drawing Sheets**



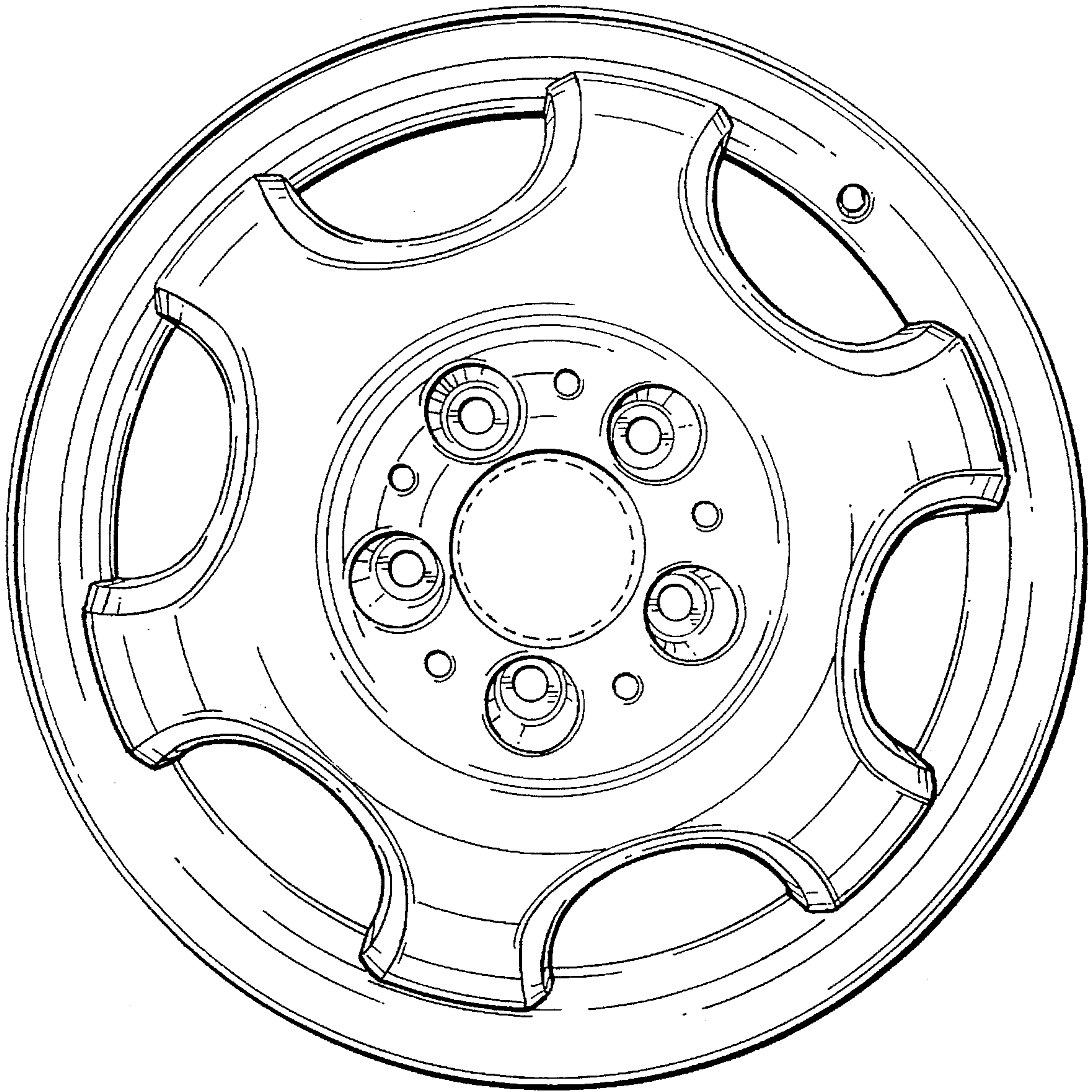


FIG. 1

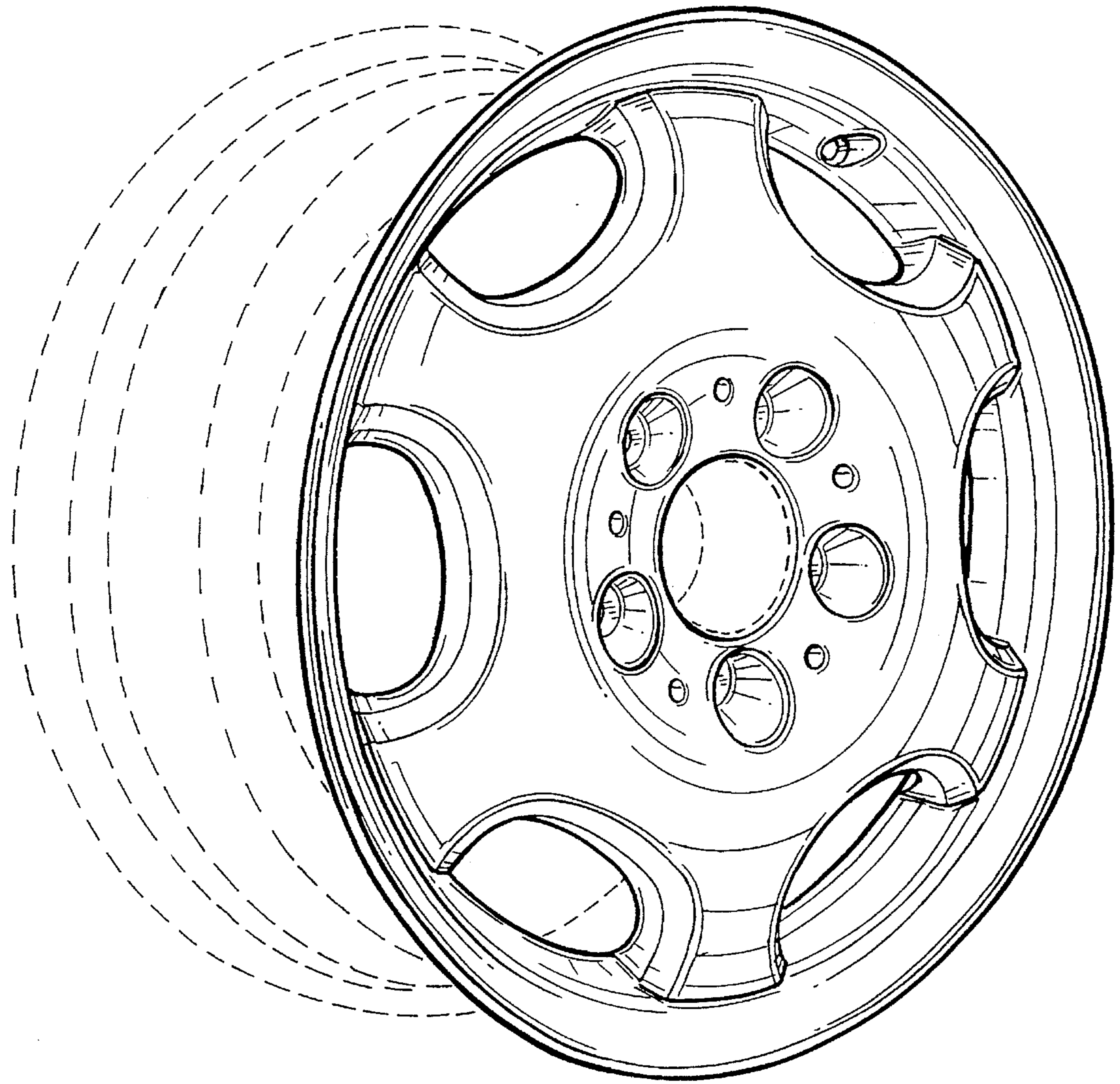


FIG. 2