



US00D376570S

# United States Patent [19]

[11] Patent Number: **Des. 376,570**

Grisel

[45] Date of Patent: **\*\*Dec. 17, 1996**

[54] **SPOILER ACCESSORY FOR A VEHICLE**

[57] **CLAIM**

[76] Inventor: **J. Paul Grisel**, 6801 Glenhurst, North Richland Hills, Tex. 76180

The ornamental design for a spoiler accessory for a vehicle, as shown and described.

[\*\*] Term: **14 Years**

**DESCRIPTION**

[21] Appl. No.: **38,621**

FIG. 1 is a perspective view of a spoiler accessory for a vehicle showing my new design in position of use, it being understood that the broken lines are for illustrative purposes only and form no part of the claimed design;

[22] Filed: **Apr. 25, 1995**

[52] U.S. Cl. .... **D12/181**

[58] Field of Search ..... D12/181; 296/180.1

FIG. 2 is a rear view of the spoiler accessory;

[56] **References Cited**

**U.S. PATENT DOCUMENTS**

D. 250,888 1/1979 Bruno ..... D12/181  
4,688,840 8/1987 Kretschmer ..... 296/180.1

FIG. 3 is a top view of the spoiler accessory;

FIG. 4 is a side view of the spoiler accessory;

**OTHER PUBLICATIONS**

J. C. Whitney Catalog No. 567K, p. 125, Aerodynamic Bed Spoiler, top left side of page.

FIG. 5 is a bottom view of the spoiler accessory; and,

FIG. 6 is a front view of the spoiler accessory.

*Primary Examiner*—James M. Gandy

*Attorney, Agent, or Firm*—Vorys, Sater, Seymour & Pease

**1 Claim, 3 Drawing Sheets**

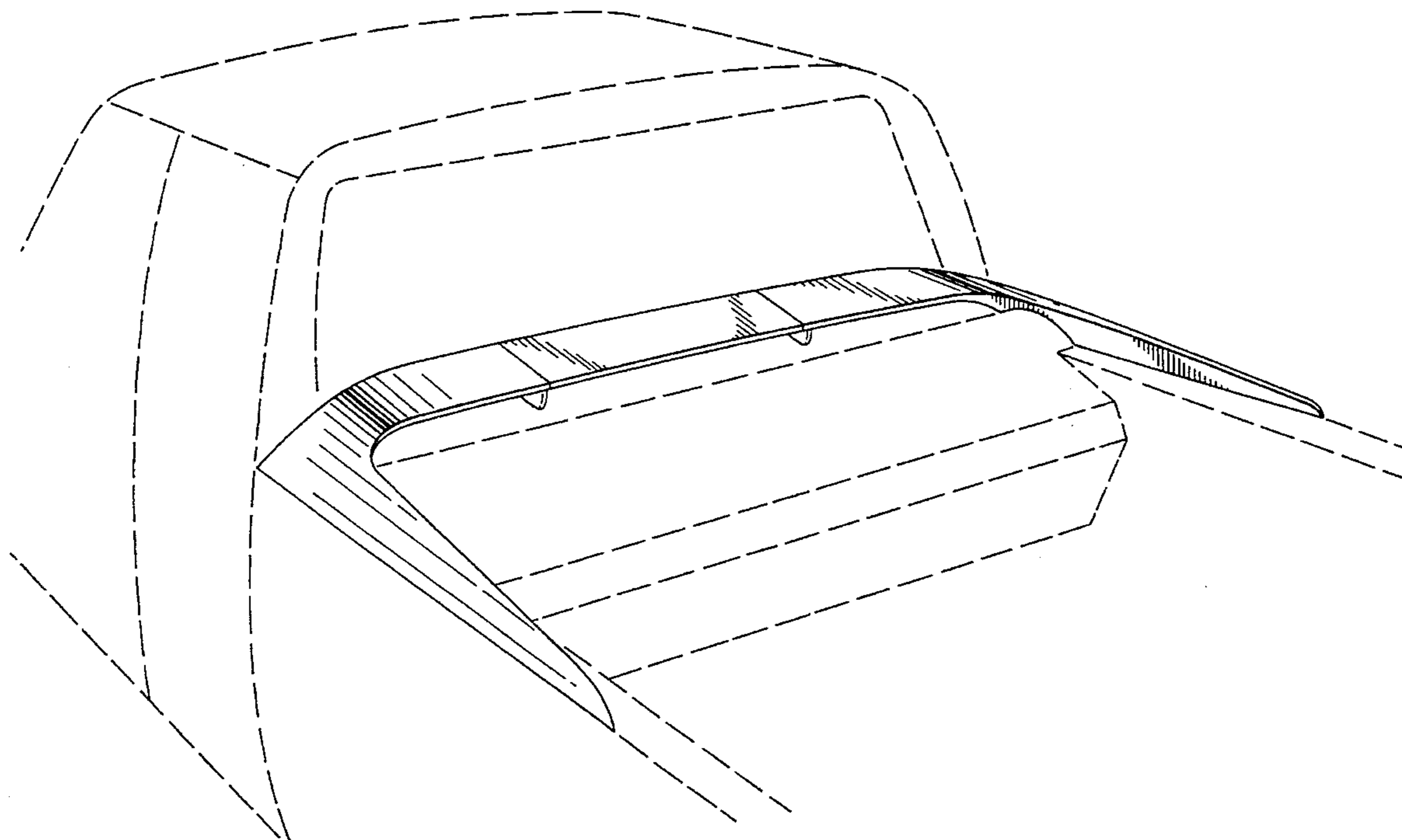
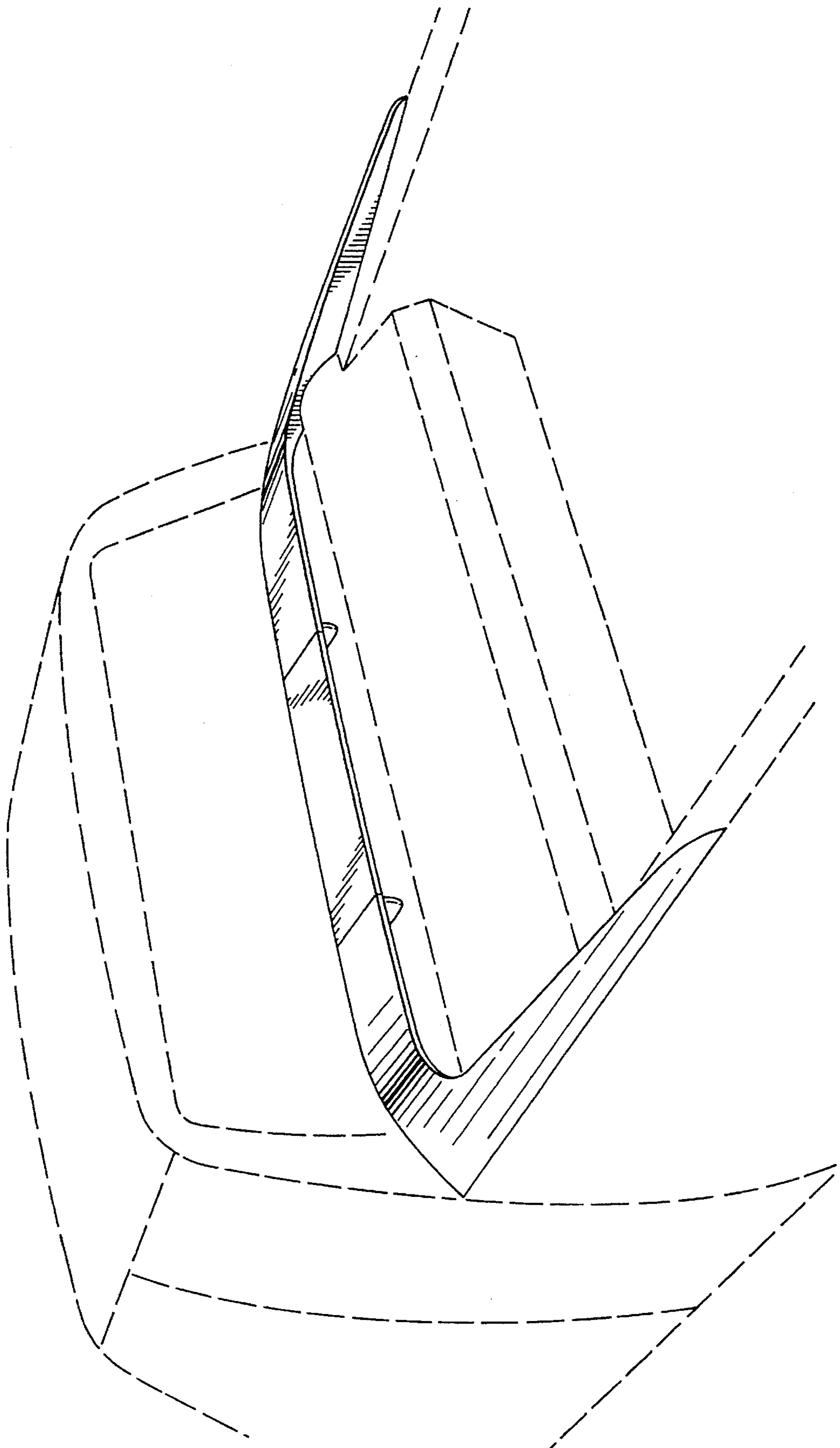


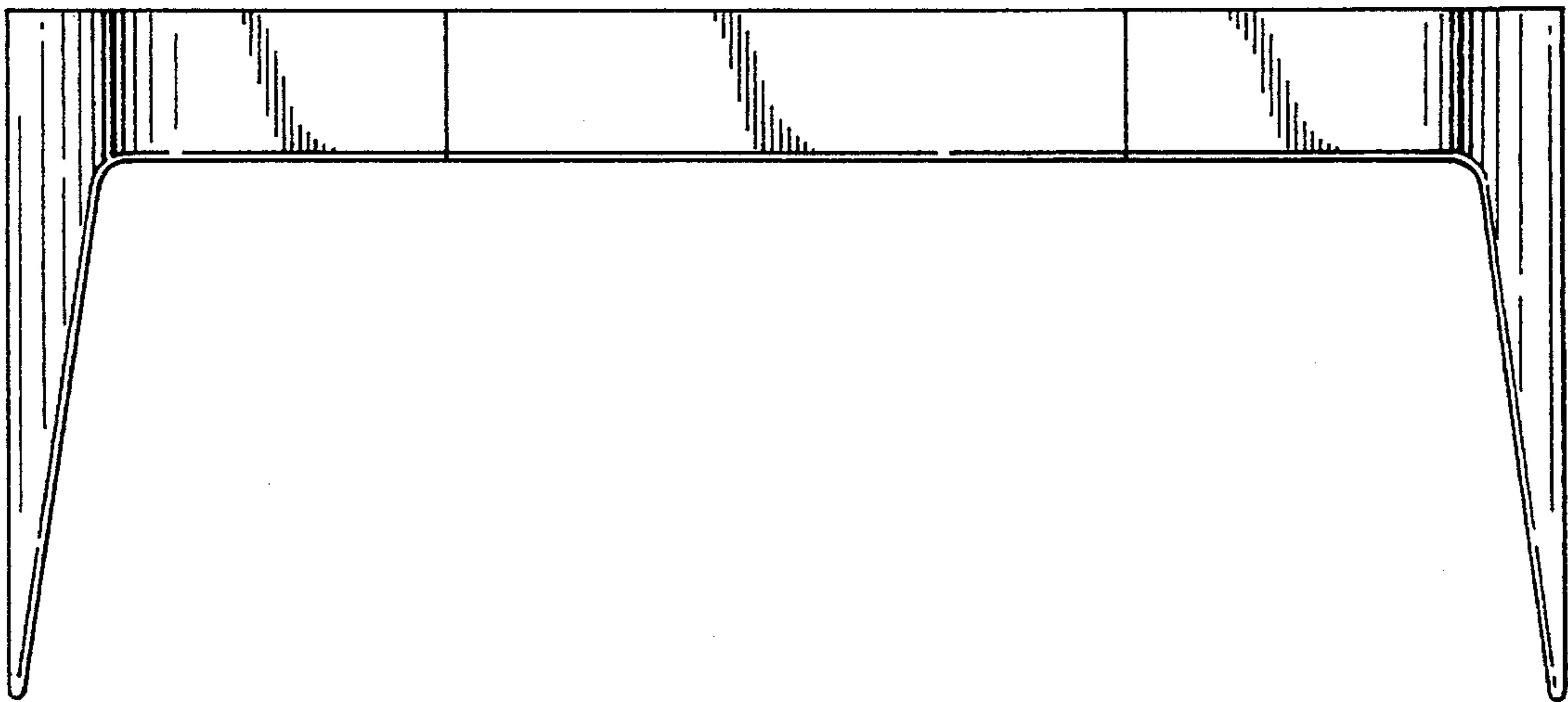
FIG. 1



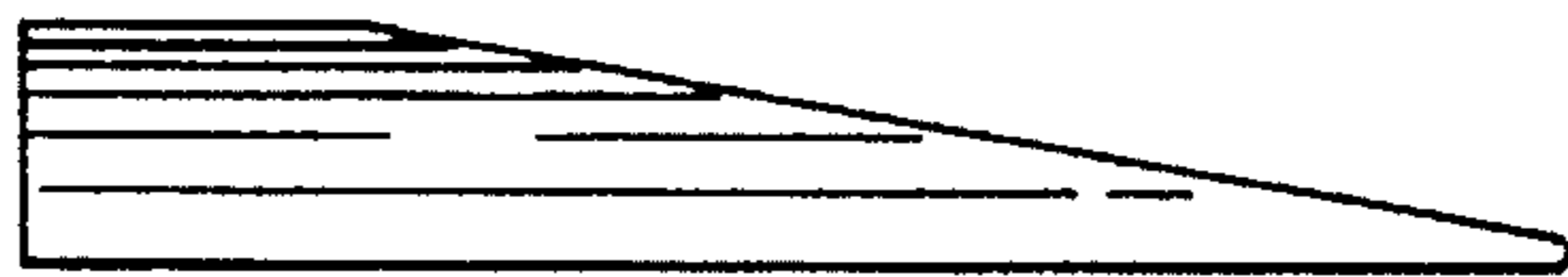
*FIG. 2*



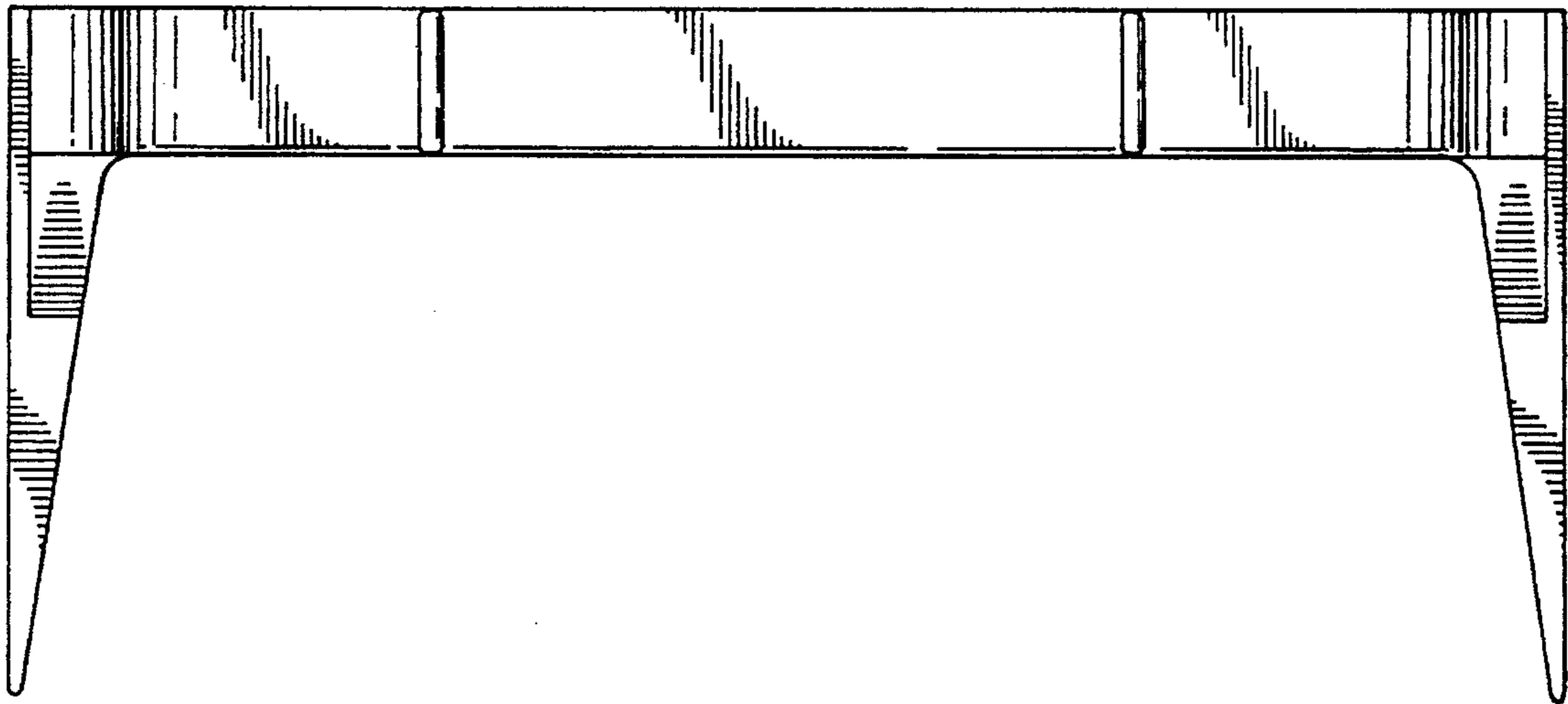
*FIG. 3*



*FIG. 4*



*FIG. 5*



*FIG. 6*

