



US00D376566S

# United States Patent [19]

[11] Patent Number: **Des. 376,566**

Davidson et al.

[45] Date of Patent: **\*\*Dec. 17, 1996**

[54] **MOTORCYCLE TRANSMISSION COVER EMBLEM**

[75] Inventors: **William G. Davidson**, Delafield; **Louis Netz**, Grafton, both of Wis.

[73] Assignee: **Harley-Davidson Motor Company**, Milwaukee, Wis.

[\*\*] Term: **14 Years**

[21] Appl. No.: **42,151**

[22] Filed: **Aug. 2, 1995**

[52] U.S. Cl. .... **D12/126**

[58] Field of Search ..... D12/126, 114; 280/288.4; 180/219

[56] **References Cited**

**U.S. PATENT DOCUMENTS**

D. 327,216 4/1995 Davidson et al. .... D12/126

**OTHER PUBLICATIONS**

Custom Chrome 1994 Catalog, pp. 397, 719 and 722.  
V-Twin 1993 Catalog, p. 108

*Primary Examiner*—Melody N. Brown  
*Attorney, Agent, or Firm*—Michael, Best & Friedrich

[57] **CLAIM**

The ornamental design for a motorcycle transmission cover emblem, as shown and described.

**DESCRIPTION**

FIG. 1 is a perspective view of an ornamental design of a motorcycle transmission cover emblem according to our invention;

FIG. 2 is a top view thereof;

FIG. 3 is a front view thereof;

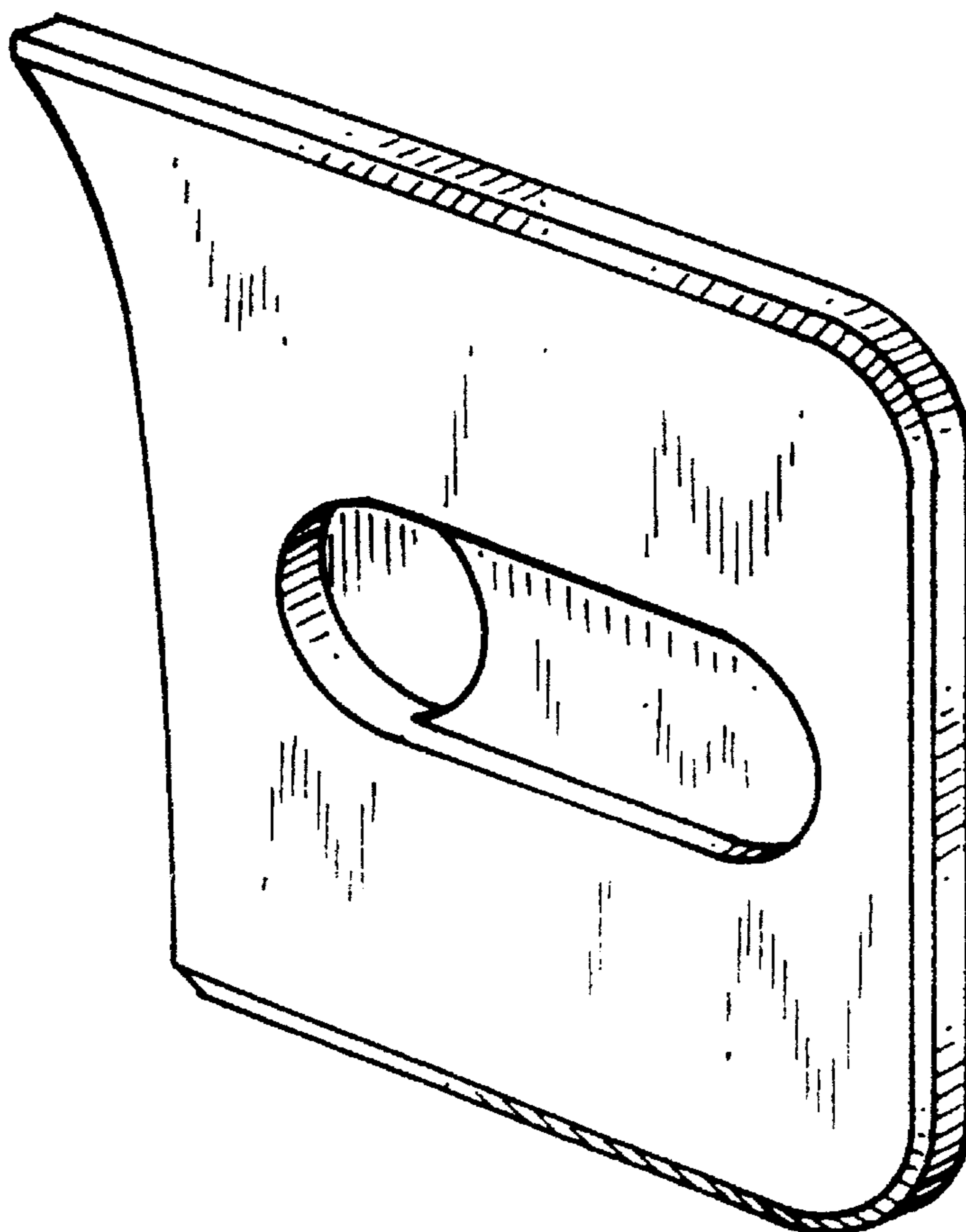
FIG. 4 is a rear view thereof; and

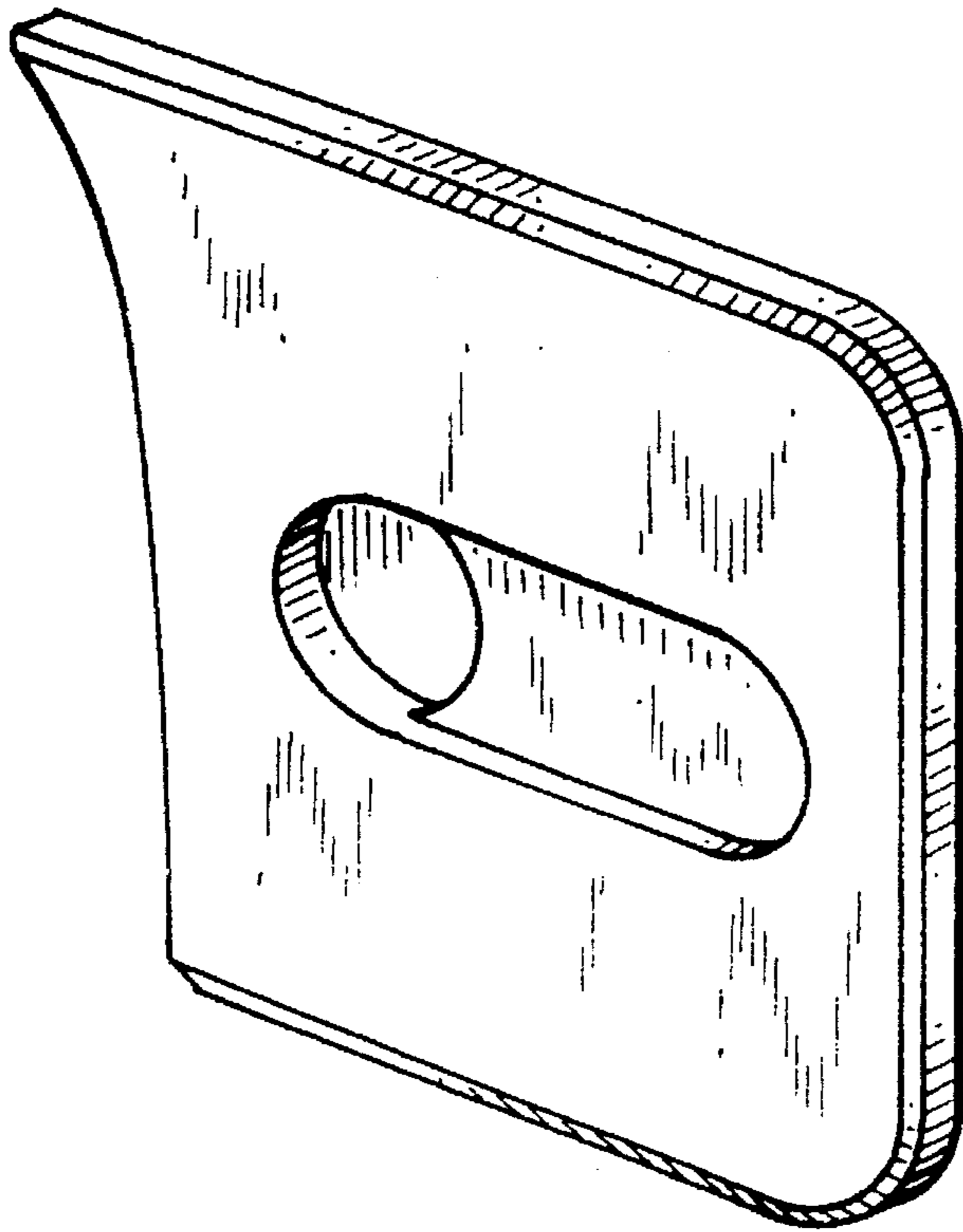
FIG. 5 is a right side view thereof;

FIG. 6 is a left side view thereof; and,

FIG. 7 is a bottom view thereof.

**1 Claim, 2 Drawing Sheets**

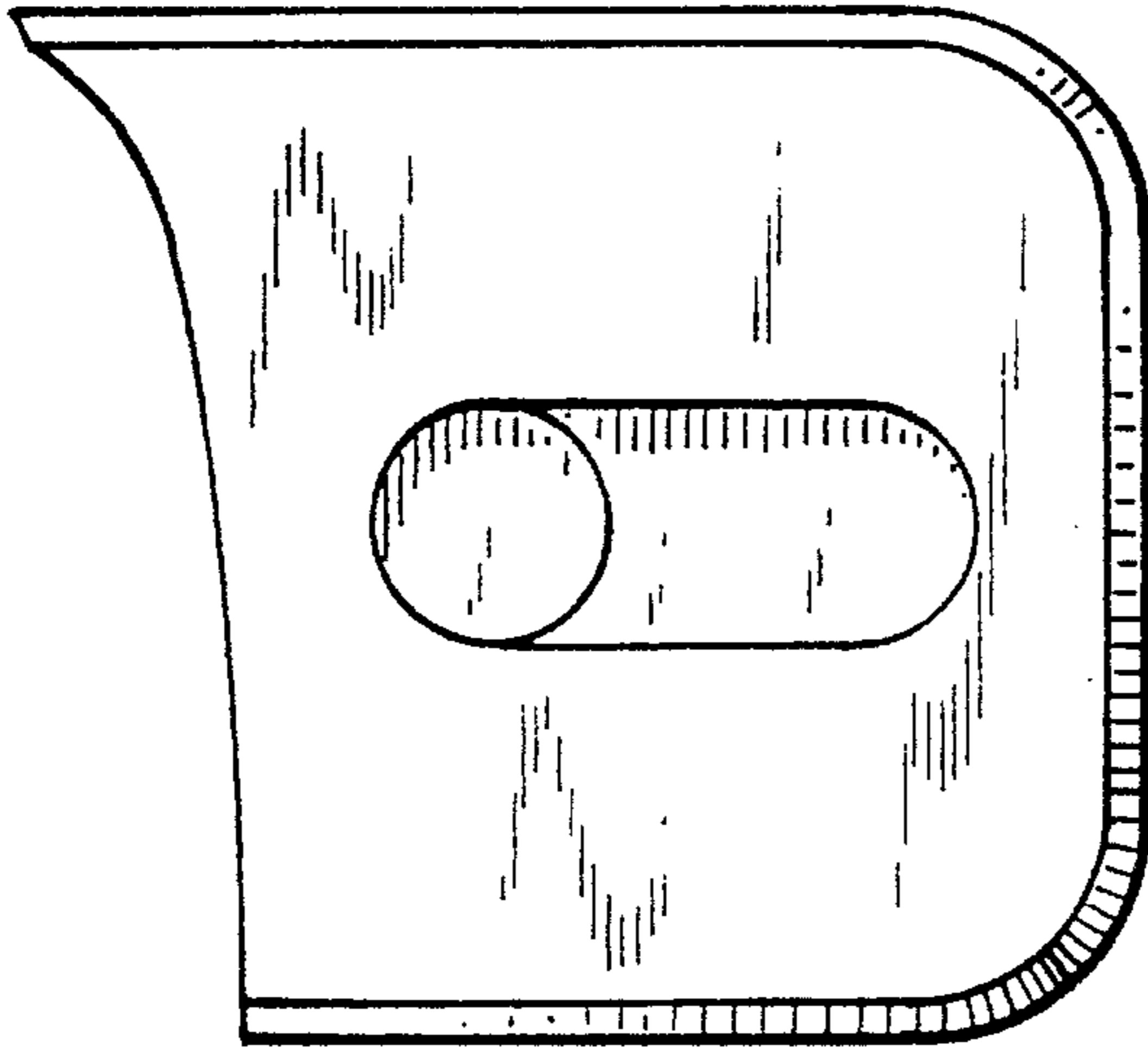




*Fig. 1*



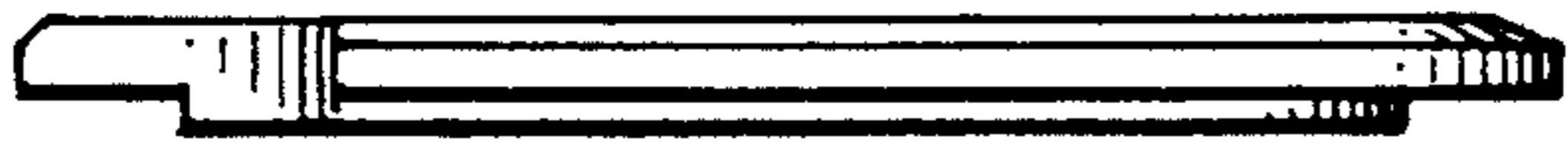
*Fig. 6*



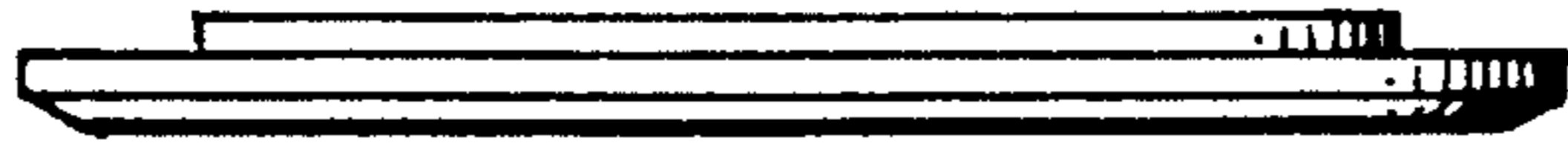
*Fig. 2.*



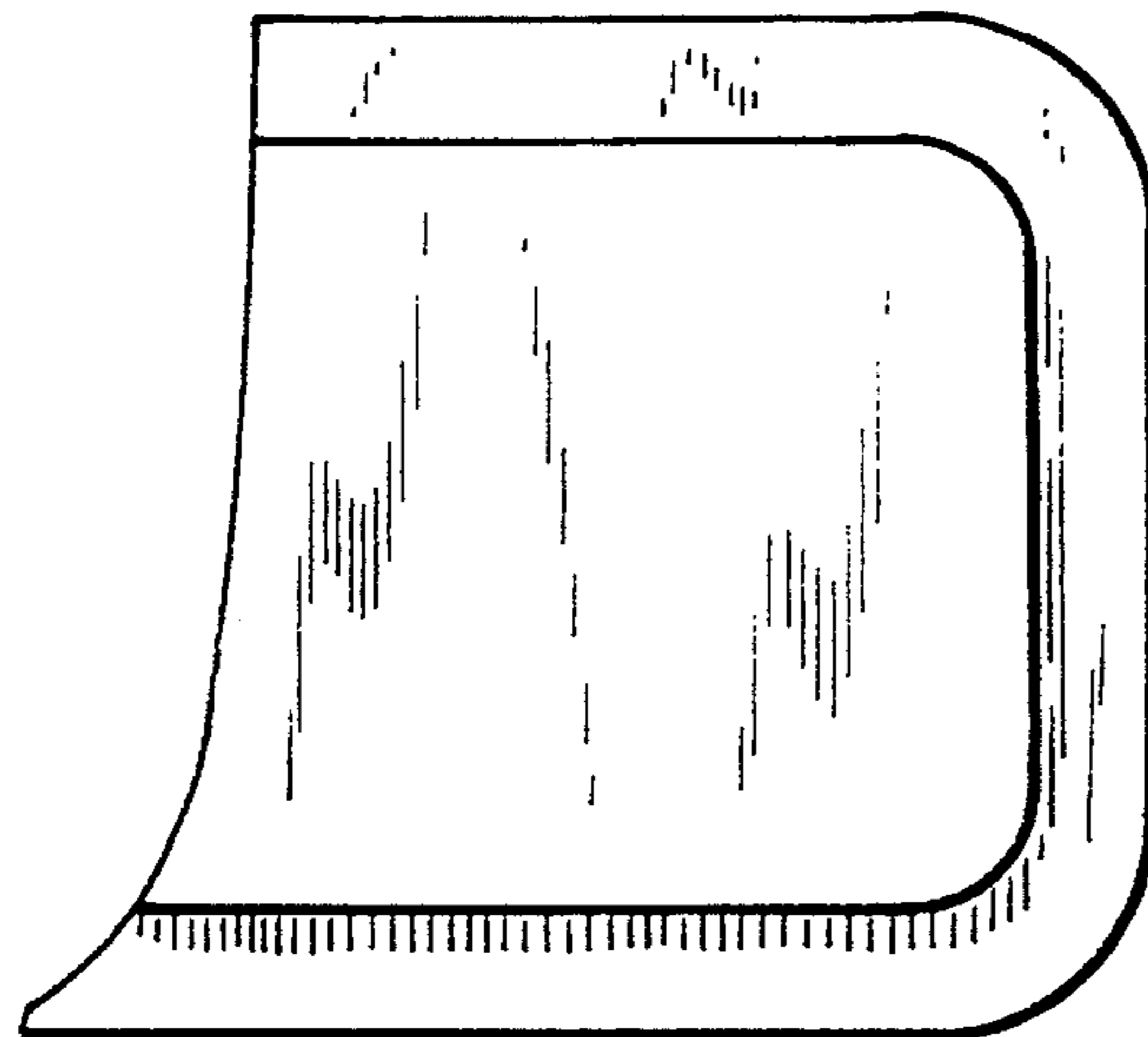
*Fig. 5.*



*Fig. 3.*



*Fig. 4.*



*Fig. 7.*