



US00D376559S

United States Patent [19]

[11] Patent Number: **Des. 376,559**

Elsa

[45] Date of Patent: ****Dec. 17, 1996**

[54] **BOUQUET CARRIER**

Attorney, Agent, or Firm—Paul M. Denk

[75] Inventor: **Marilyn J. Elsa, Belleville, Ill.**

[57] **CLAIM**

[73] Assignee: **W.E. Design Group, Inc., Belleville, Ill.**

The ornamental design for the bouquet carrier, as shown and described.

[**] Term: **14 Years**

DESCRIPTION

[21] Appl. No.: **19,728**

FIG. 1 is an isometric view of the bouquet carrier of this invention;

[22] Filed: **Mar. 9, 1994**

FIG. 2 is a front view, the rear view being a mirror image thereof;

[52] U.S. Cl. **D11/147**

FIG. 3 is a top plan view;

[58] Field of Search **D11/147, 164; D7/543, 545, 698; D26/13, 15; D6/462; 248/27.8**

FIG. 4 is a right side view, the left side view being a mirror image thereof;

FIG. 5 is a bottom plan view;

[56] **References Cited**

FIG. 6 is an isometric view of the bouquet carrier with the tubes in a stored position;

U.S. PATENT DOCUMENTS

FIG. 7 is a top plan view of the carrier of FIG. 6;

D. 197,855	3/1964	Bieger	D26/15
D. 276,511	11/1984	Kole et al.	D11/164
D. 290,254	6/1987	Arevalo	D6/462 X
D. 348,809	7/1994	Ladwig	D7/698

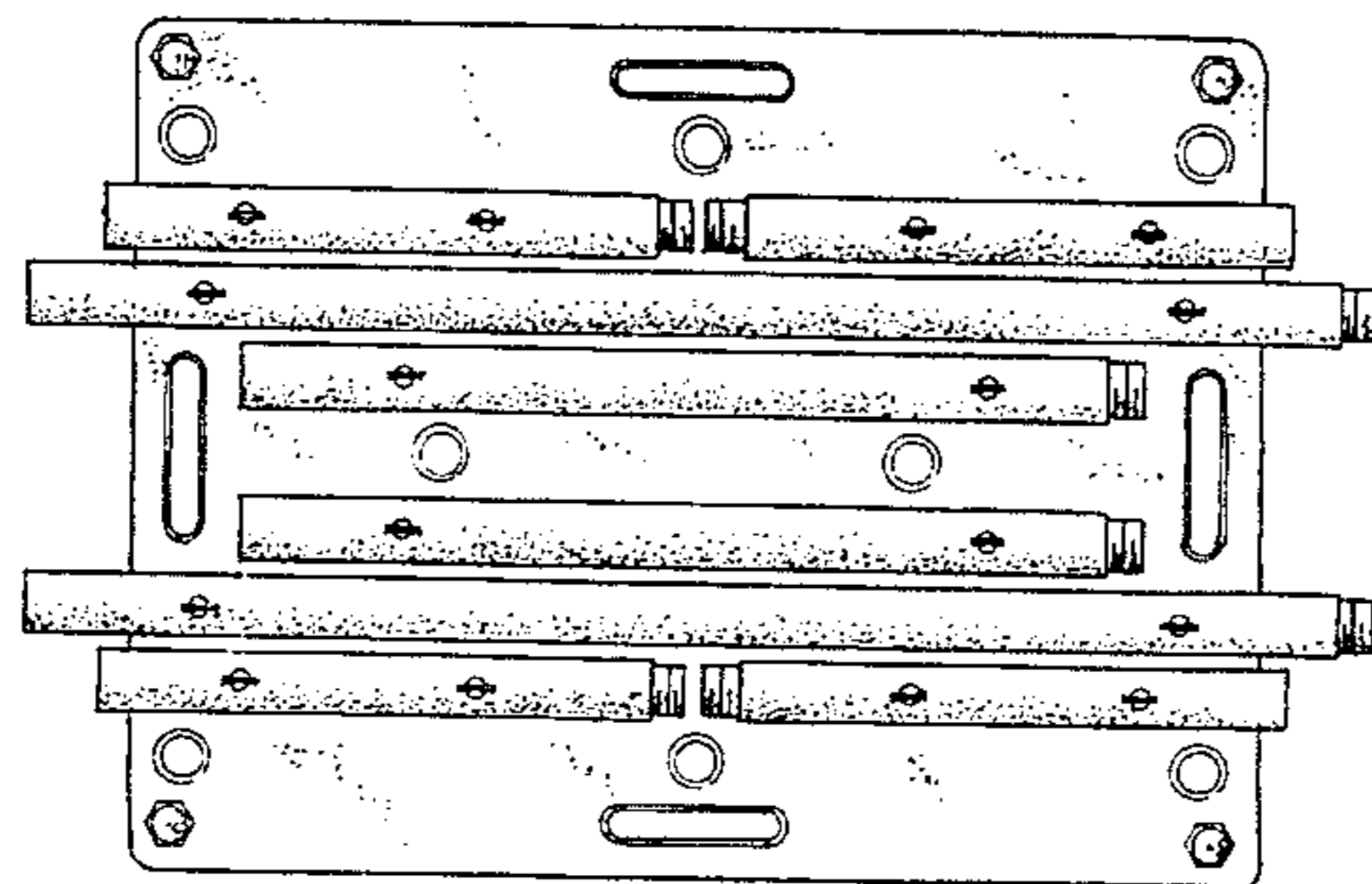
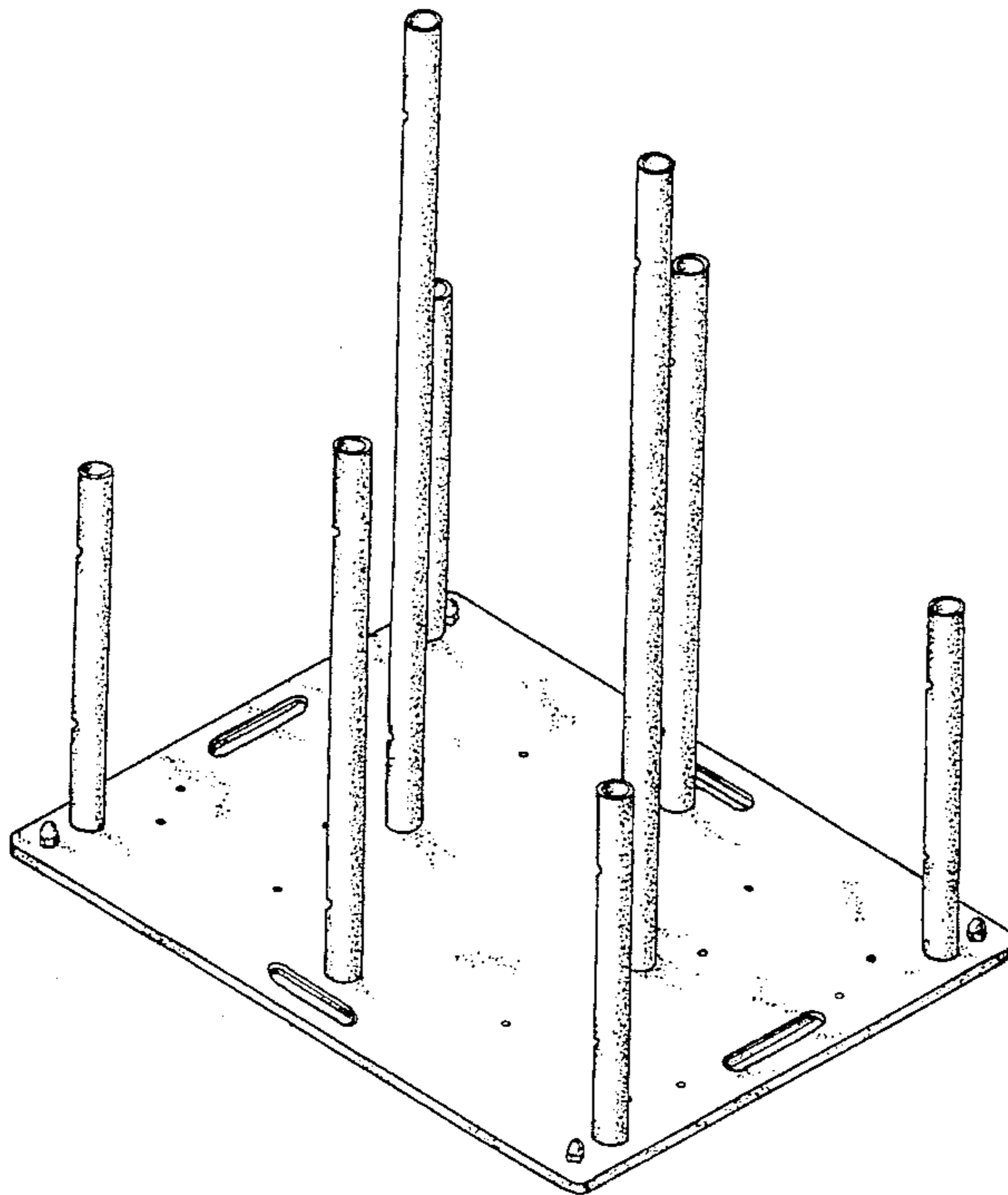
FIG. 8 is a front view, the rear view being a mirror image thereof; and,

FIG. 9 is a right side view, the left side view being a mirror image thereof.

Primary Examiner—Alan P. Douglas

Assistant Examiner—S. Snapp

1 Claim, 4 Drawing Sheets



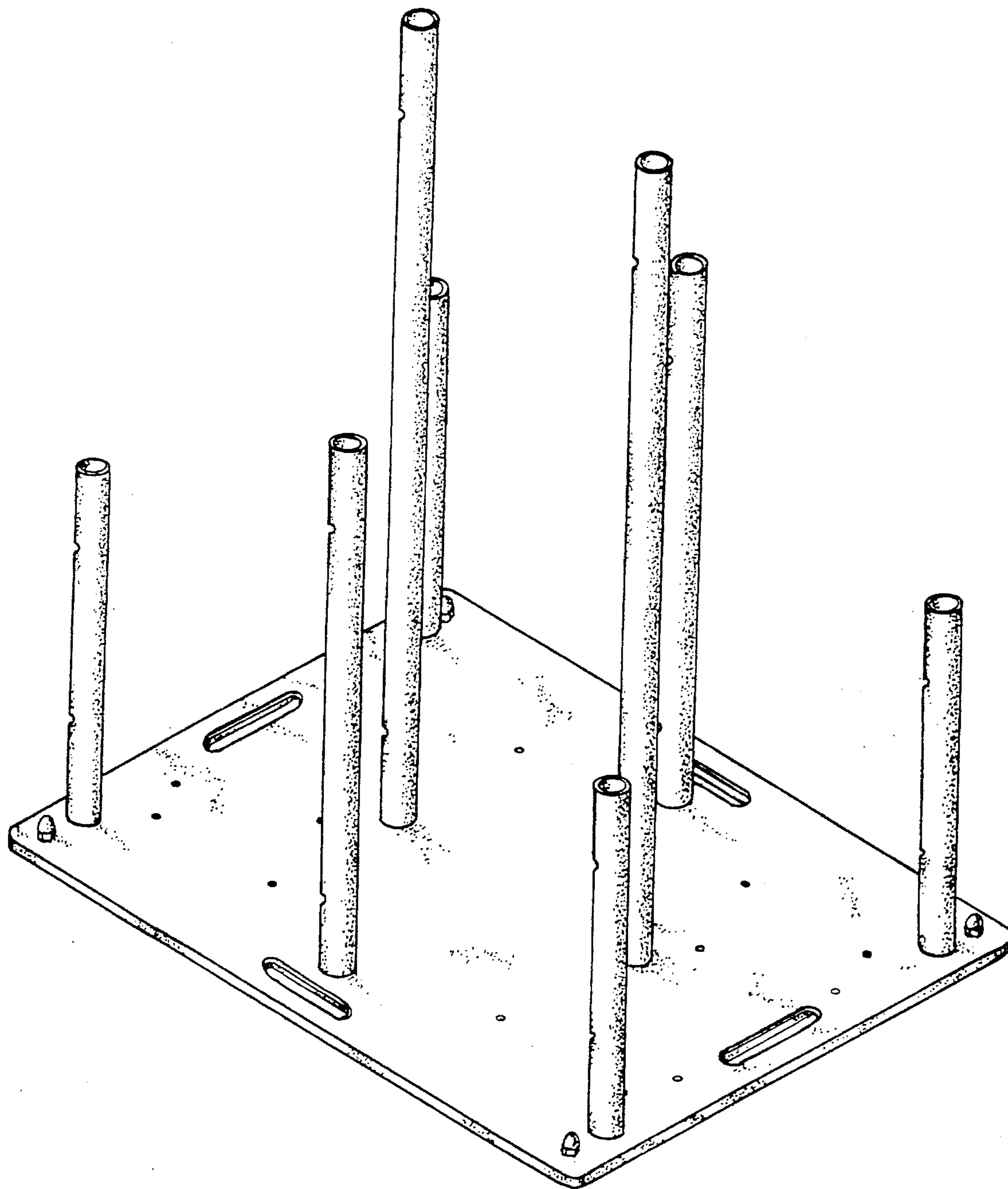


FIG. 1

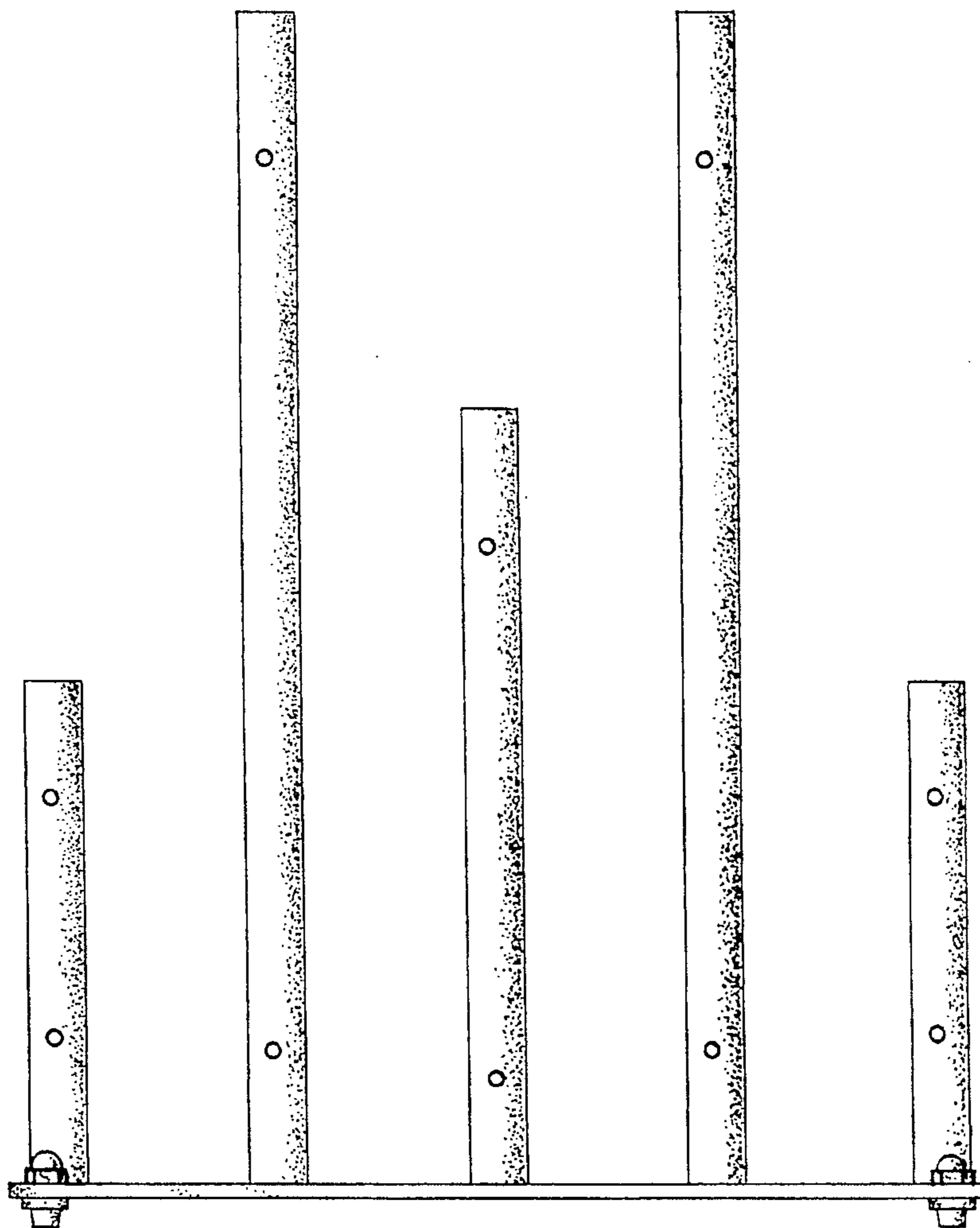


FIG. 2

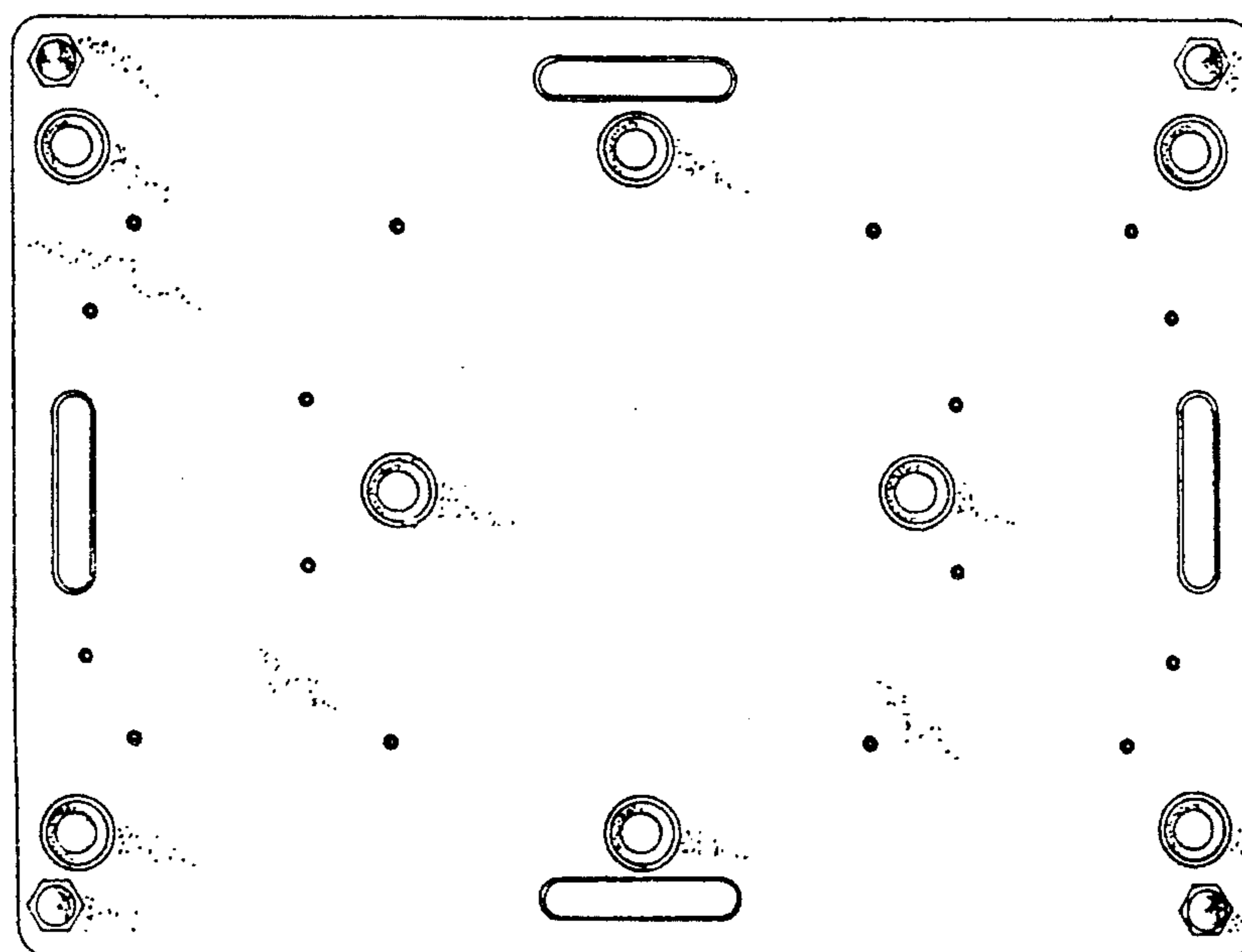


FIG. 3

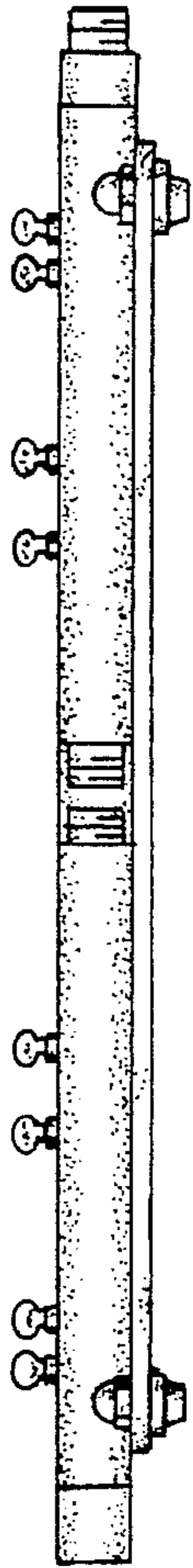


FIG. 8

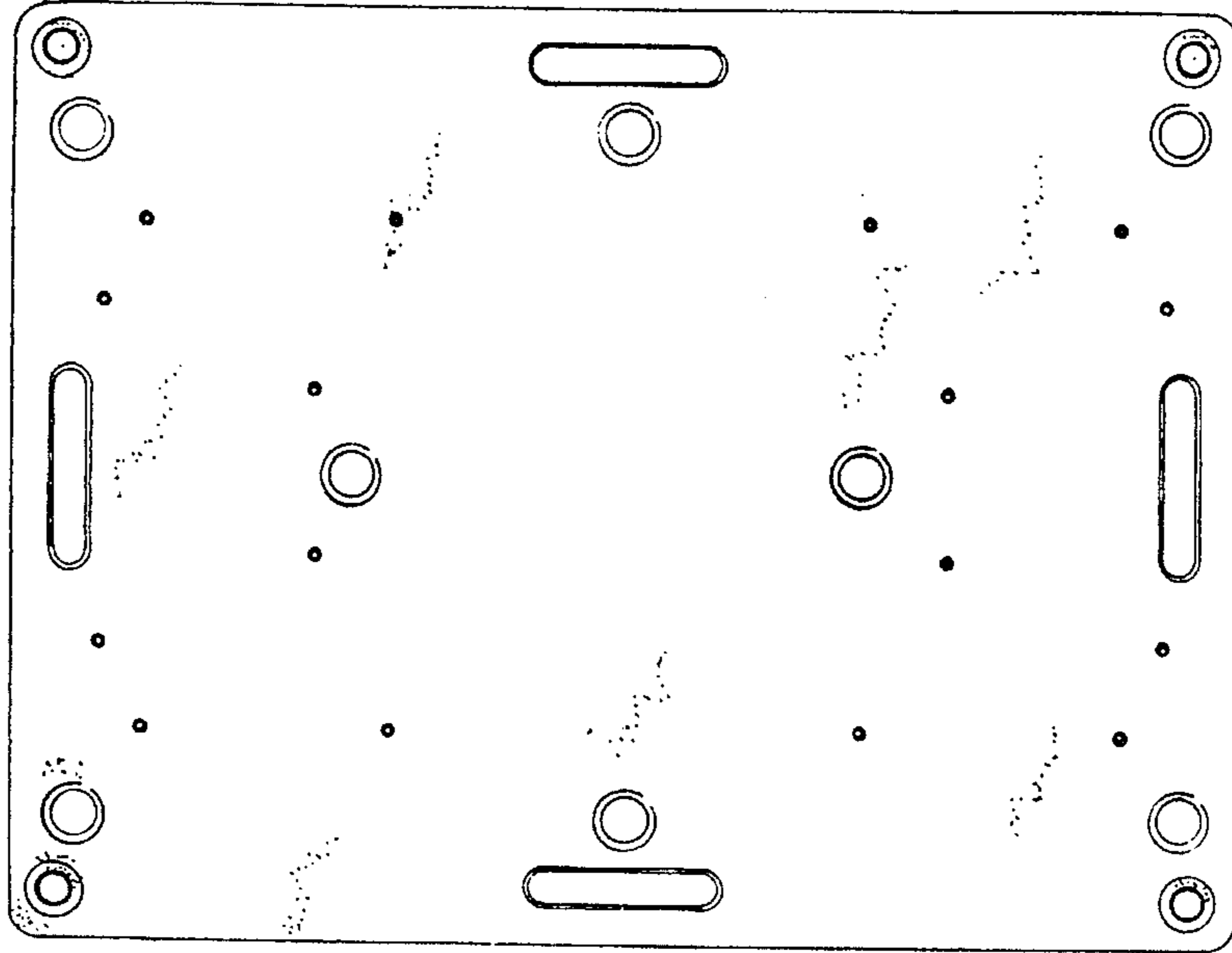


FIG. 5

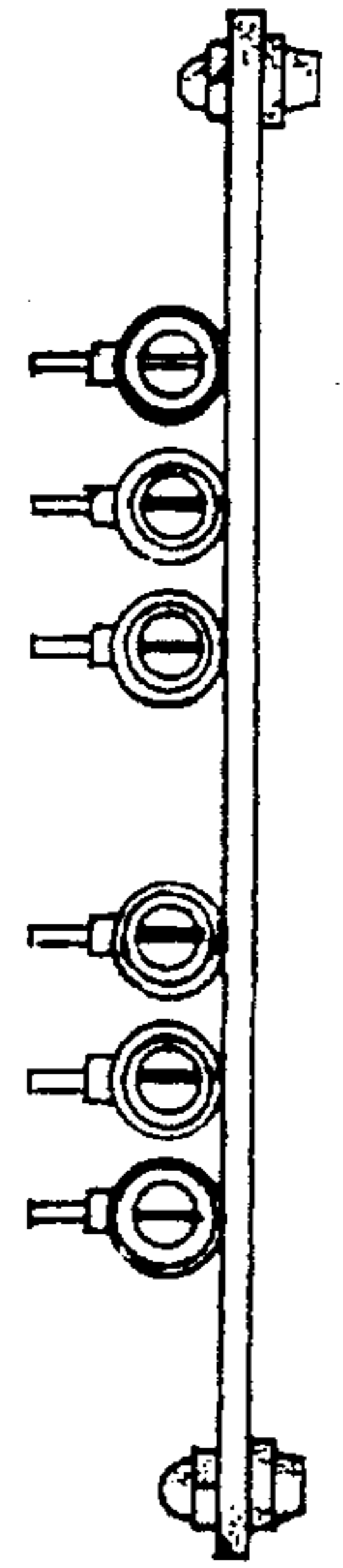


FIG. 9

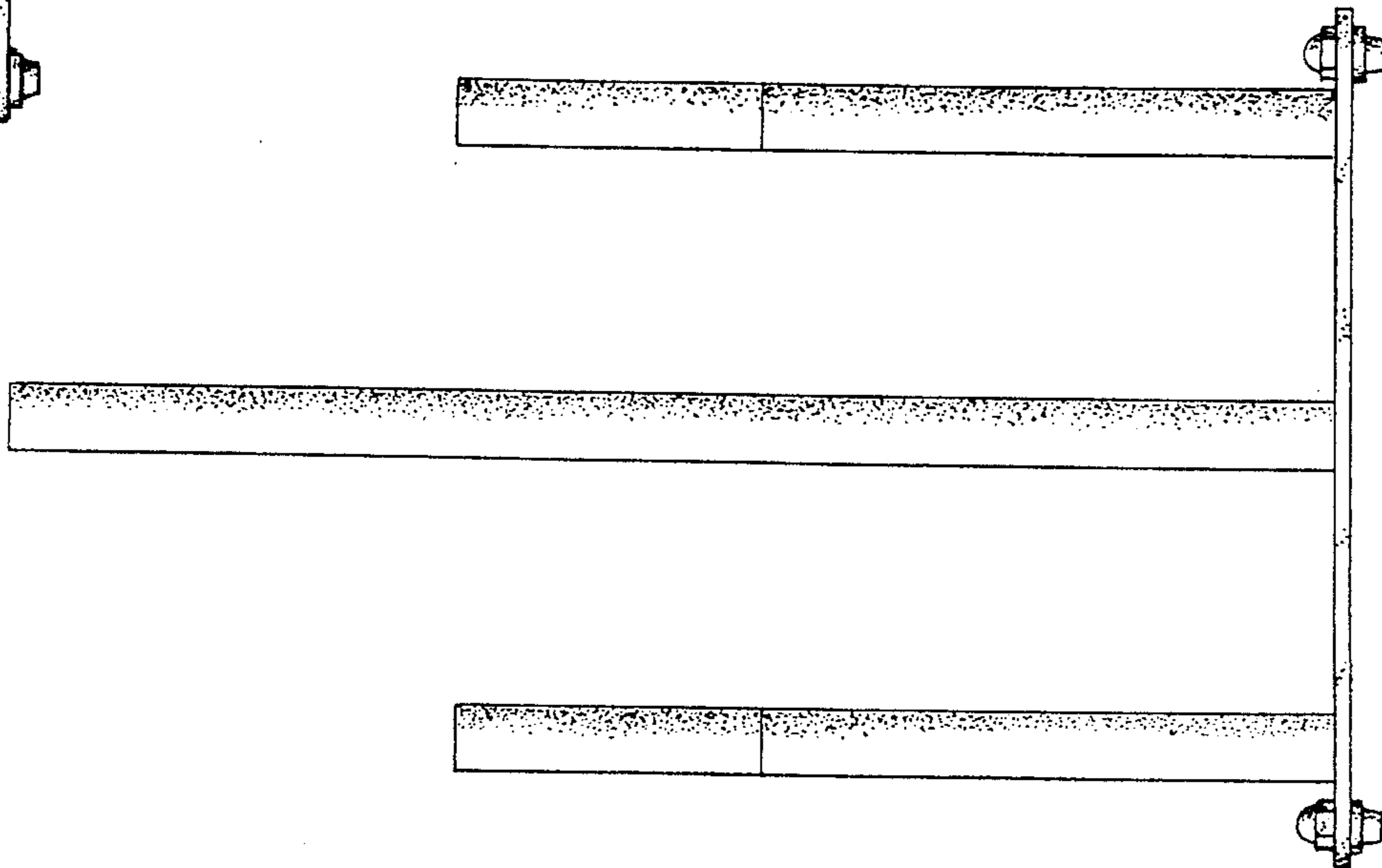


FIG. 4

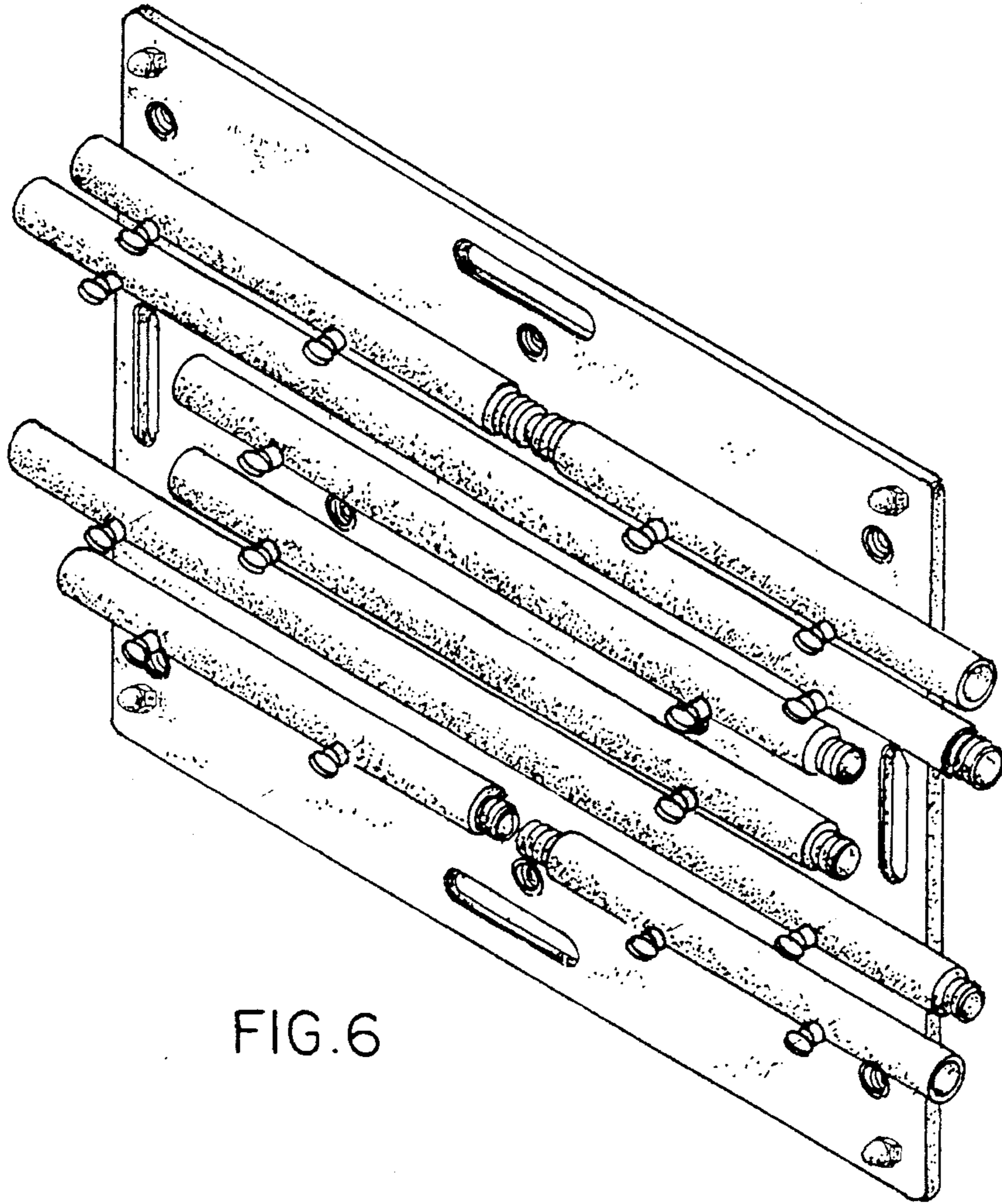


FIG. 6

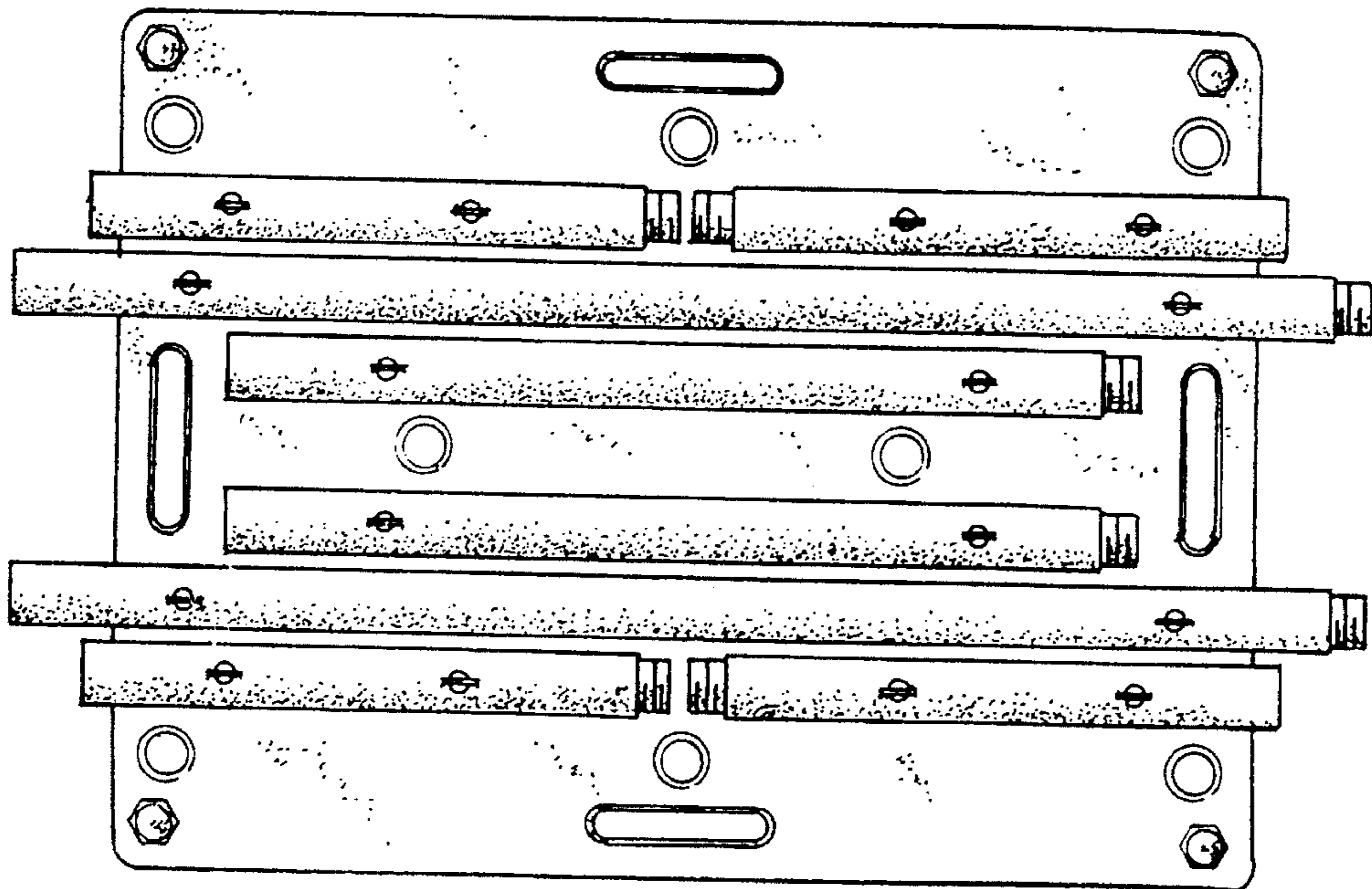


FIG. 7