



US00D376558S

# United States Patent [19]

Elsa

[11] Patent Number: **Des. 376,558**

[45] Date of Patent: **\*\*Dec. 17, 1996**

[54] **FLORAL BOUQUET HOLDER**

[75] Inventor: **Marilyn J. Elsa**, St. Clair County, Ill.

[73] Assignee: **W. E. Design Group, Inc.**, Belleville, Ill.

[\*\*] Term: **14 Years**

[21] Appl. No.: **5,793**

[22] Filed: **Mar. 10, 1993**

[52] U.S. Cl. .... **D11/143; D11/164**

[58] Field of Search ..... **D11/152, 148, D11/143; D6/403; 248/228, 214, 215, 225.31; 47/41.12; D8/71, 72, 73, 74, 373; D3/328, 260; D22/147**

[56] **References Cited**

**U.S. PATENT DOCUMENTS**

D. 305,299	1/1990	Freeman	.....	D8/373
2,432,637	12/1947	Ventura	.....	47/41.01
3,182,943	5/1965	Crossman	.....	248/311.2
4,059,248	11/1977	Kuntz	.....	248/225.31
4,387,873	6/1983	Pavlo et al.	.....	248/311.2
4,418,496	12/1983	Koistinen	.....	248/215
4,739,582	4/1988	Cullinane	.....	47/41.12
4,880,133	11/1989	Cullinane	.....	D11/148

4,903,929	2/1990	Hoffman	.....	D8/73
4,915,337	4/1990	Iwasaki	.....	248/311.2
4,919,380	4/1990	Ely, Jr.	.....	248/311.2
5,054,737	10/1991	DeLancey	.....	D22/147
5,199,678	4/1993	Luebke	.....	248/311.2

*Primary Examiner*—B. J. Bullock  
*Assistant Examiner*—Cathron B. Matta  
*Attorney, Agent, or Firm*—Paul M. Denk

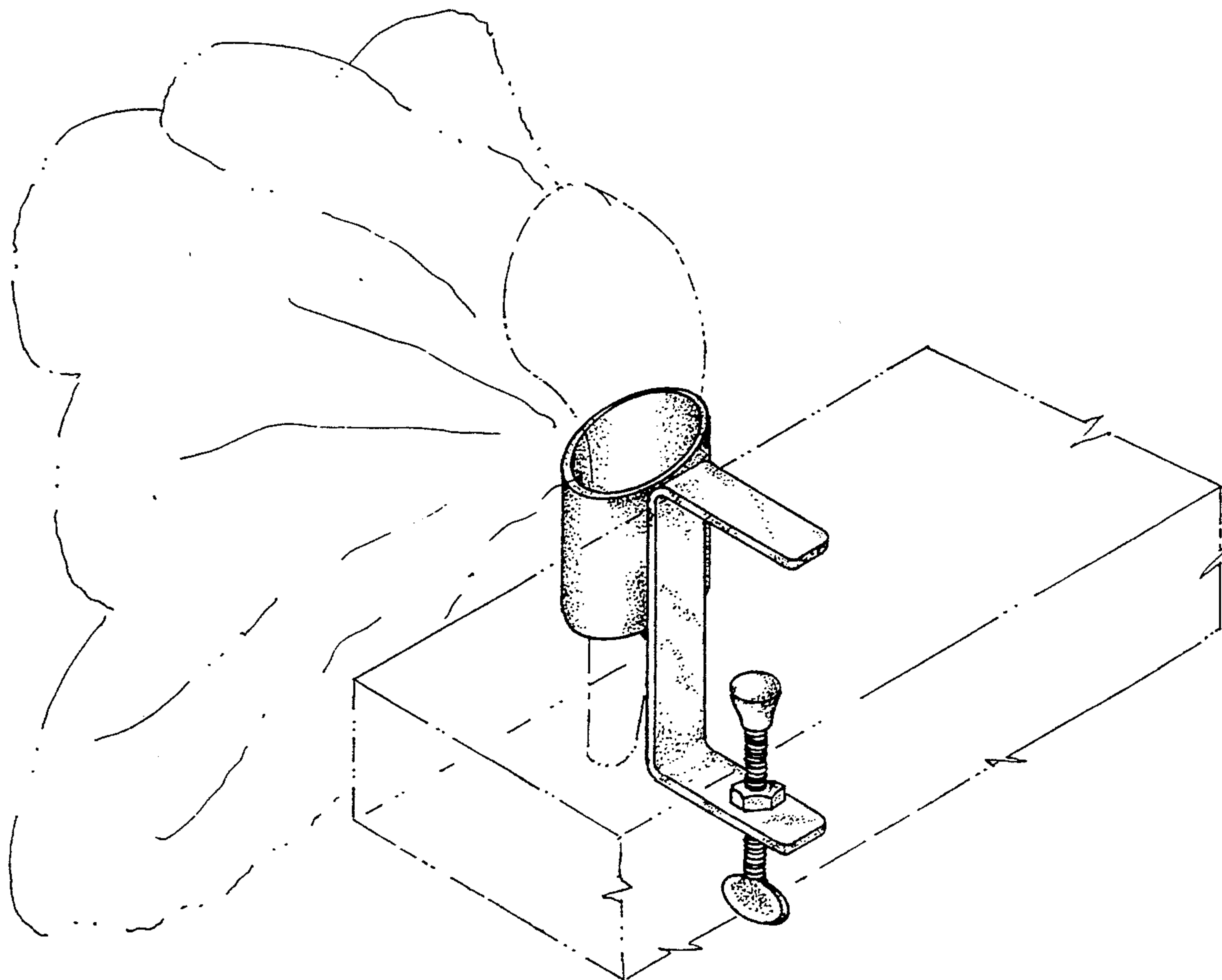
[57] **CLAIM**

The ornamental design for the floral bouquet holder, as shown and described.

**DESCRIPTION**

FIG. 1 provides an isometric view of the floral bouquet holder of this invention, showing its attachment to a table top, in phantom, and holding a floral bouquet, in phantom, both of said phantom articles being shown for illustrative purposes only and forming no part of the claimed design; FIG. 2 is a top view of the floral bouquet holder; FIG. 3 is a bottom view thereof; FIG. 4 is a right side view, the left side view being a mirror image thereof; FIG. 5 is a back view thereof; and, FIG. 6 is a front view of the floral bouquet holder.

**1 Claim, 2 Drawing Sheets**



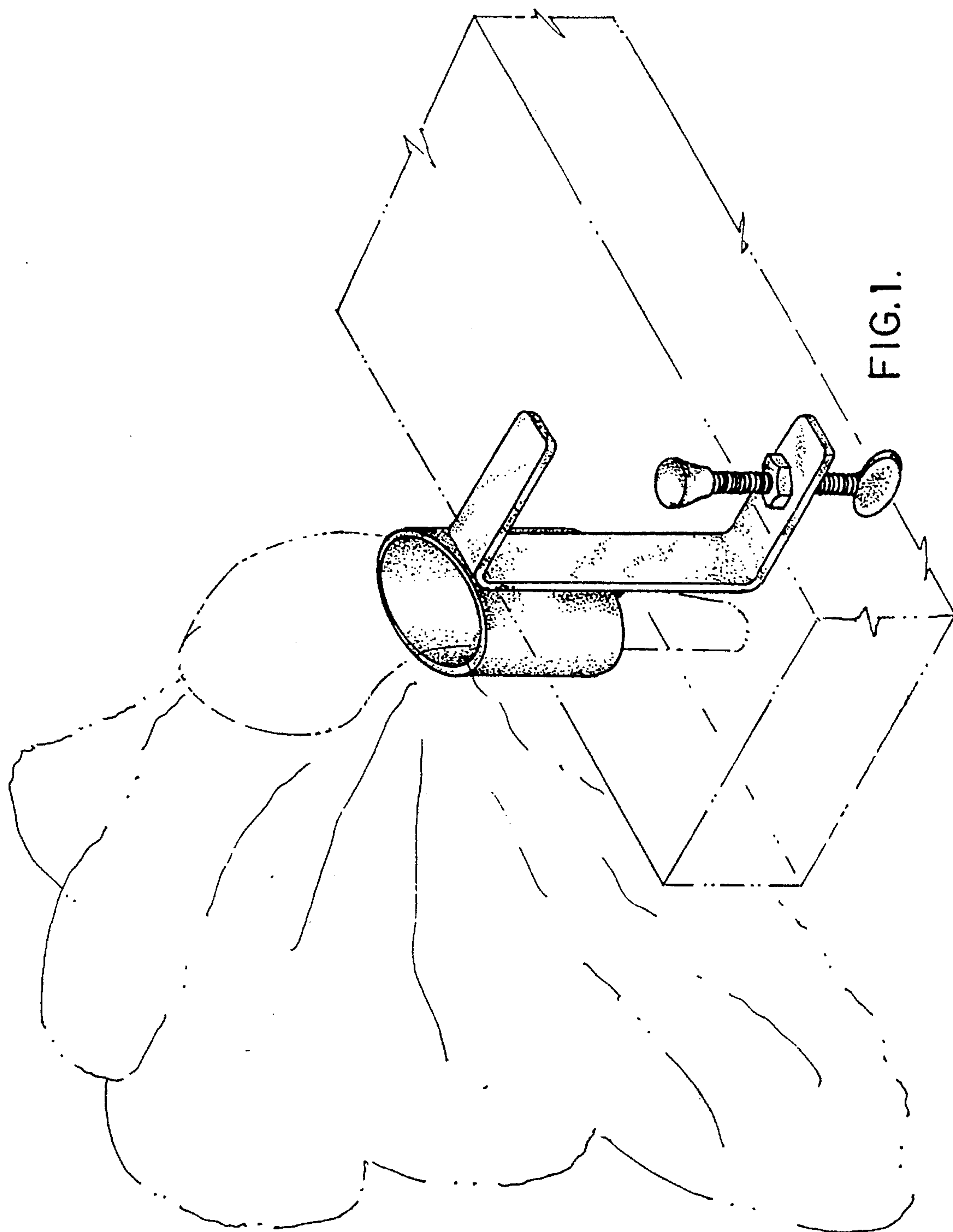


FIG. 1.

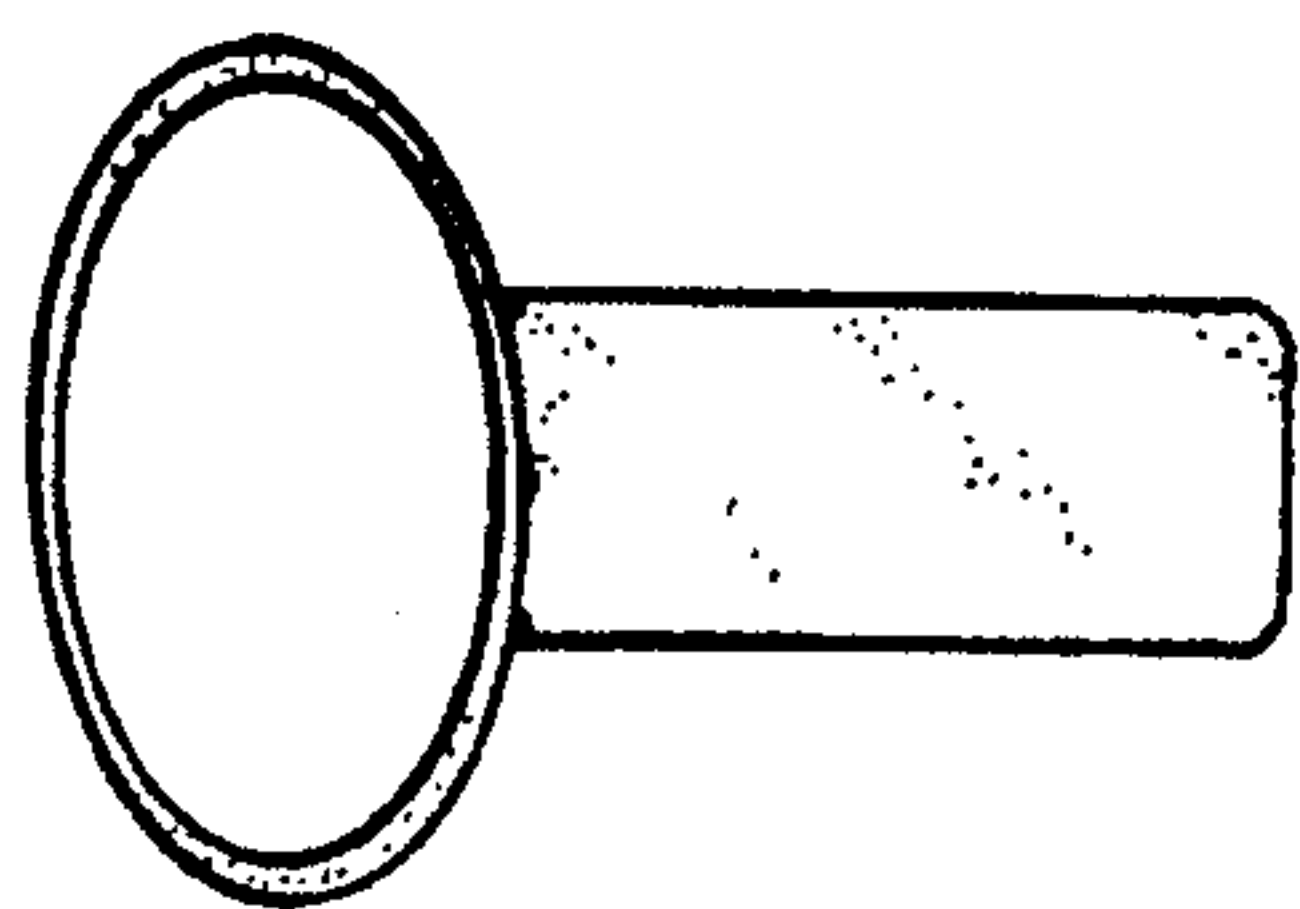


FIG. 2.

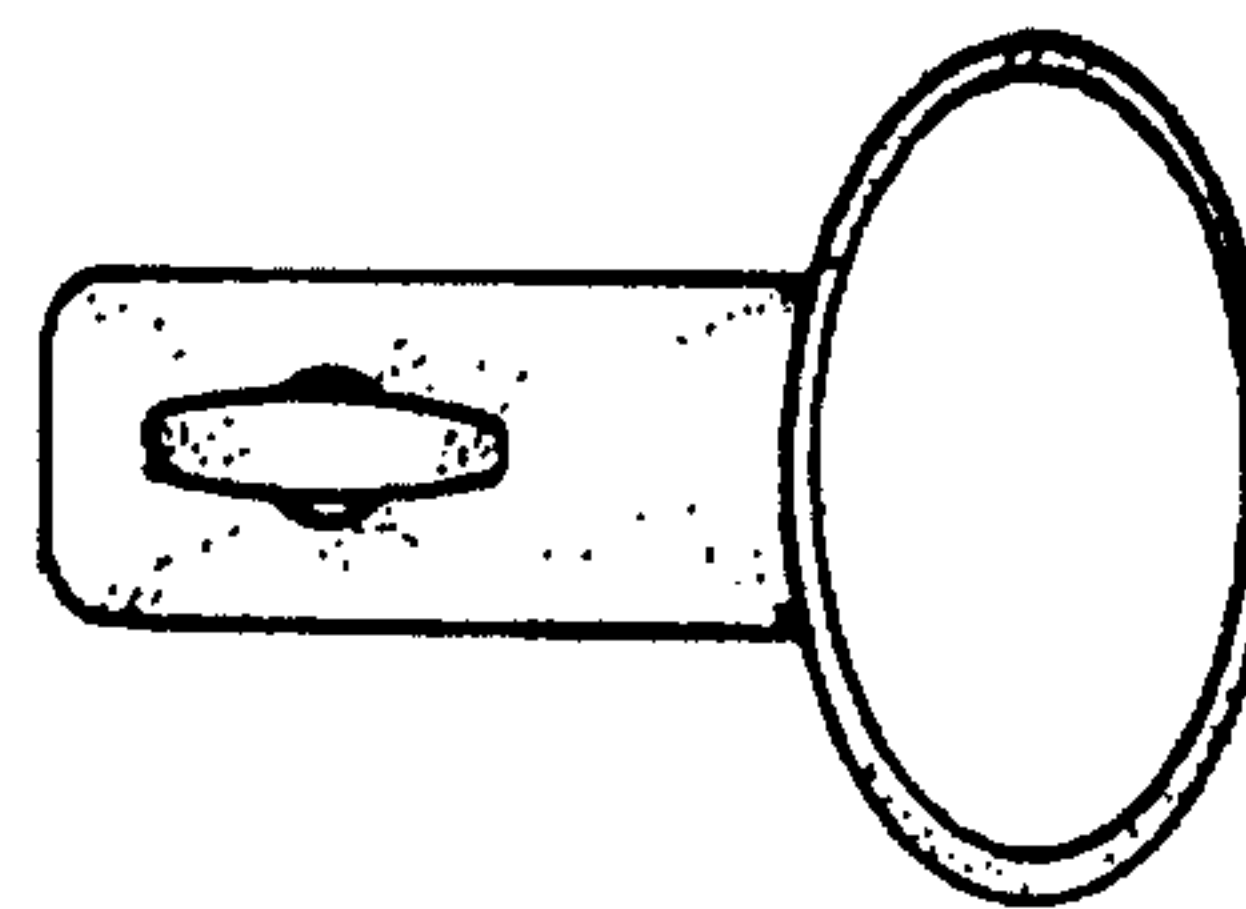


FIG. 3.

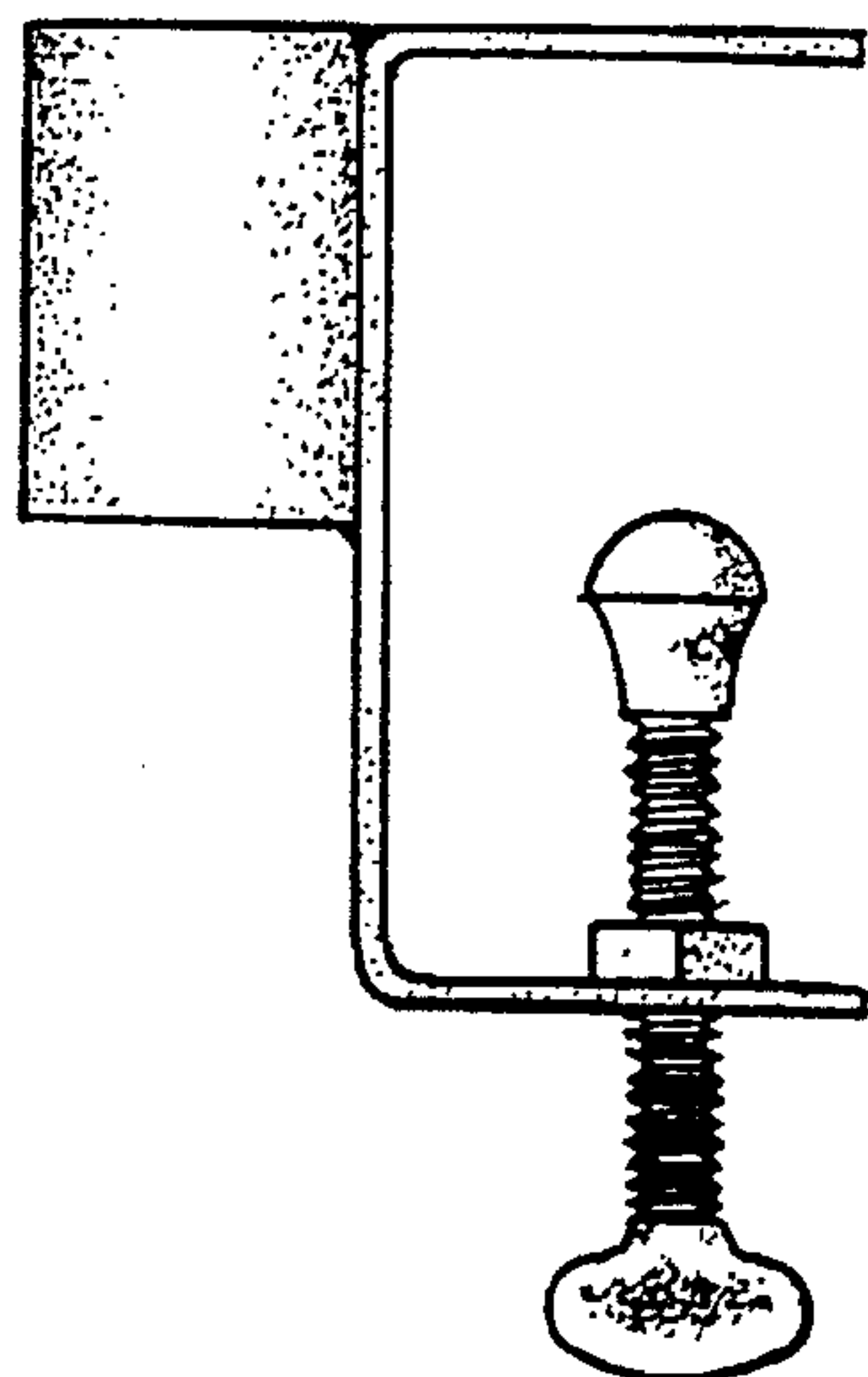


FIG. 4.

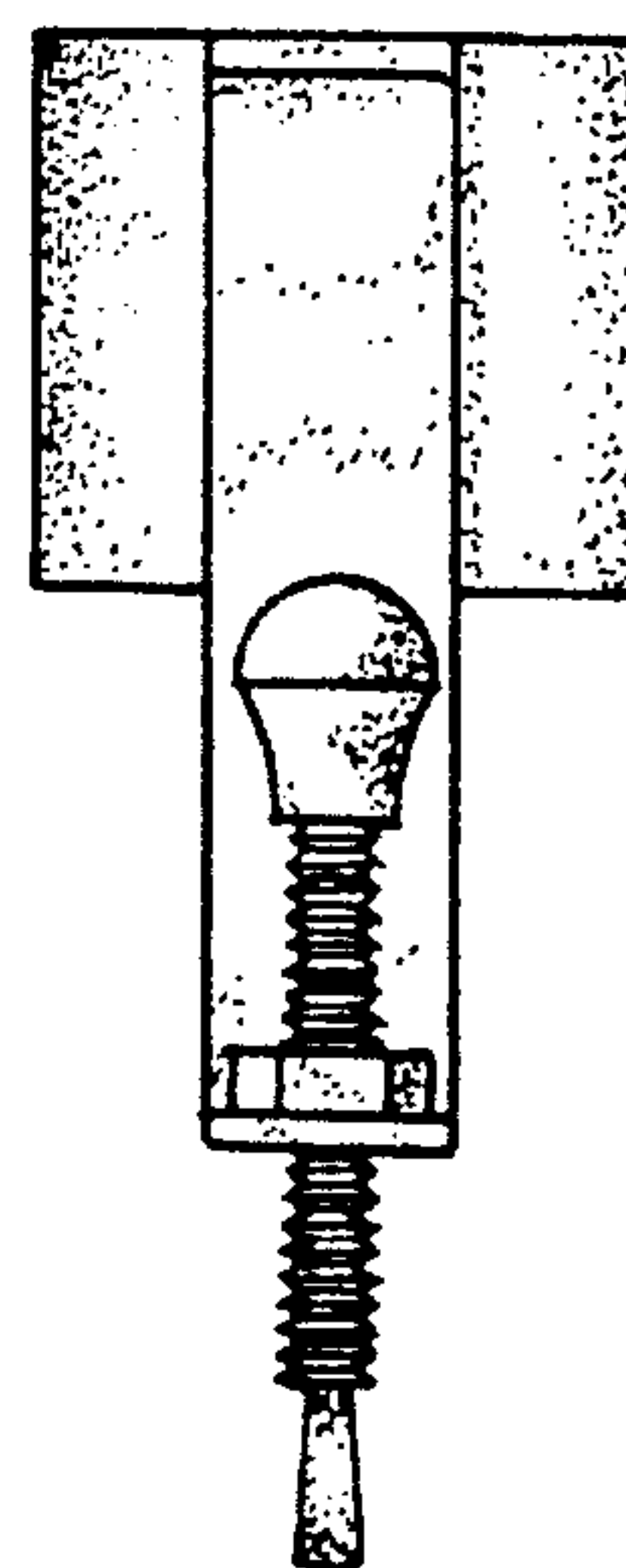


FIG. 5.

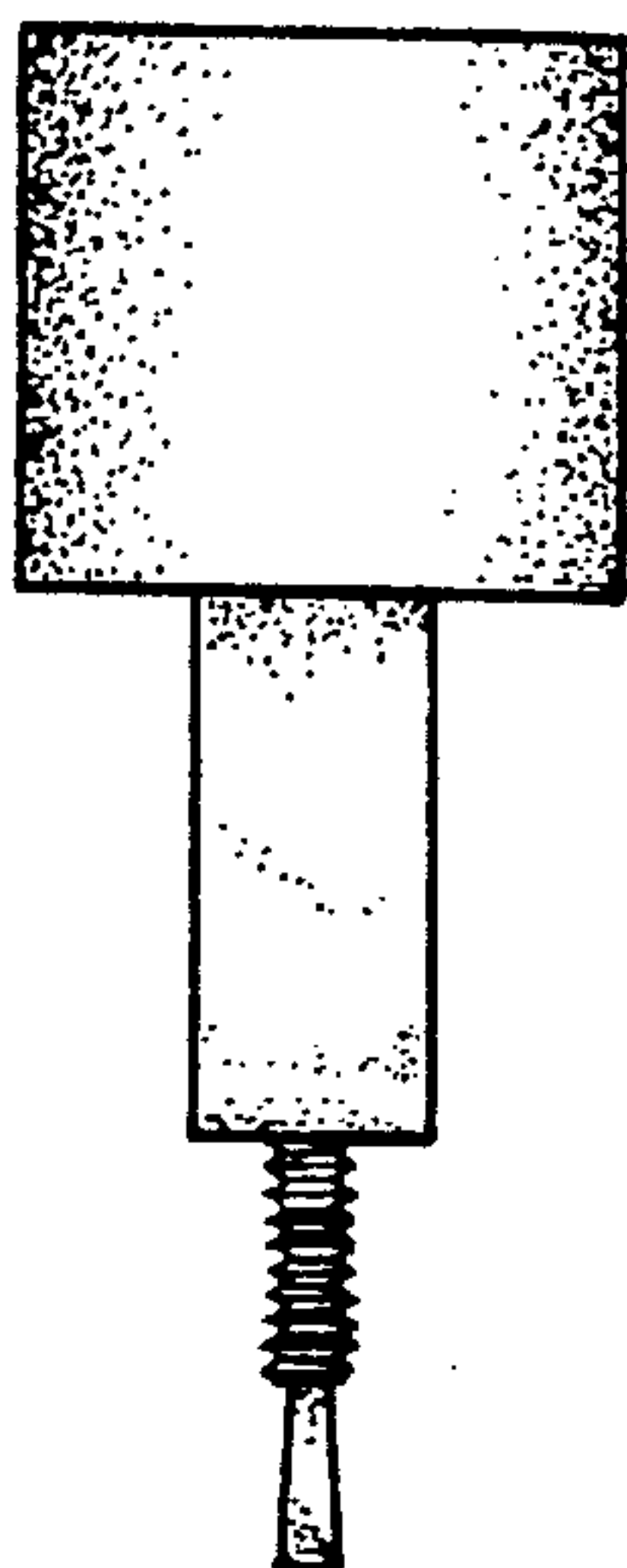


FIG. 6.