



US00D376553S

United States Patent [19]

[11] Patent Number: **Des. 376,553**

Heun

[45] Date of Patent: ****Dec. 17, 1996**

[54] **RECEIVER OF AN ELECTRONIC DOG COLLAR**

3,944,803 3/1976 Chao D30/152

[75] Inventor: **Ping H. Heun**, Kowloon, Hong Kong

Primary Examiner—Marcus A. Jackson

Attorney, Agent, or Firm—Fulwider Patton Lee & Utecht, LLP

[73] Assignee: **GSL Rechargeable Products, Ltd.**, Kowloon, Hong Kong

[57] CLAIM

[**] Term: **14 Years**

The ornamental design for a receiver of an electronic dog collar, as shown and described.

[21] Appl. No.: **37,259**

DESCRIPTION

[22] Filed: **Apr. 7, 1995**

FIG. 1 is a front elevational view of a receiver of an electronic dog collar showing my new design;

[52] U.S. Cl. **D10/104**; D30/152

FIG. 2 is a back elevational view of the receiver of an electronic dog collar shown in FIG. 1;

[58] Field of Search D30/199, 151, D30/152, 156; 54/71; 119/29, 106, 108; 340/541, 548, 551-556, 561, 571, 572, 573; D10/104, 106, 121

FIG. 3 is a top view of the receiver of an electronic dog collar shown in FIG. 1;

FIG. 4 is a bottom view of the receiver of an electronic dog collar shown in FIG. 1;

FIG. 5 is a left-side elevational view of the receiver of an electronic dog collar shown in FIG. 1; and,

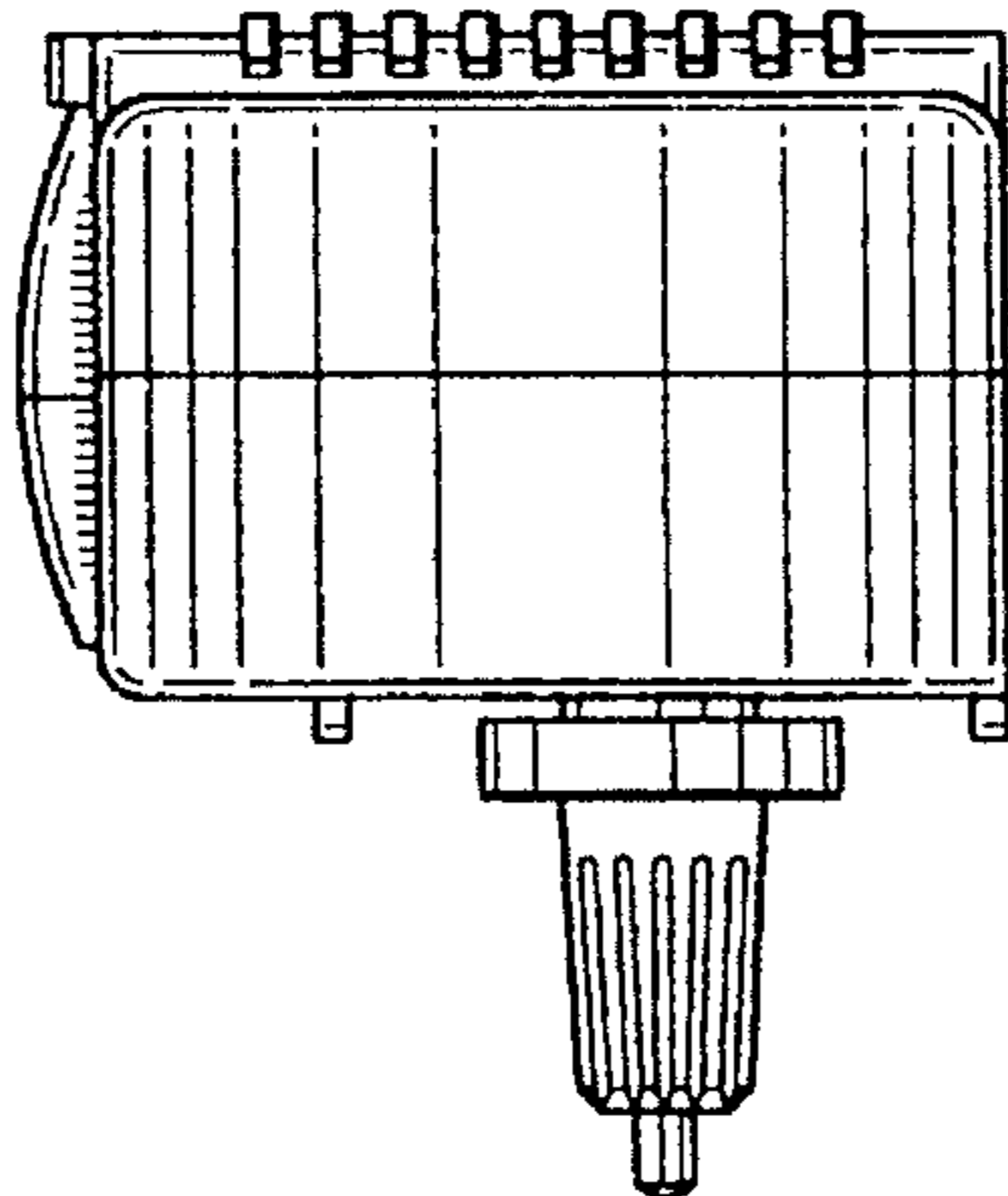
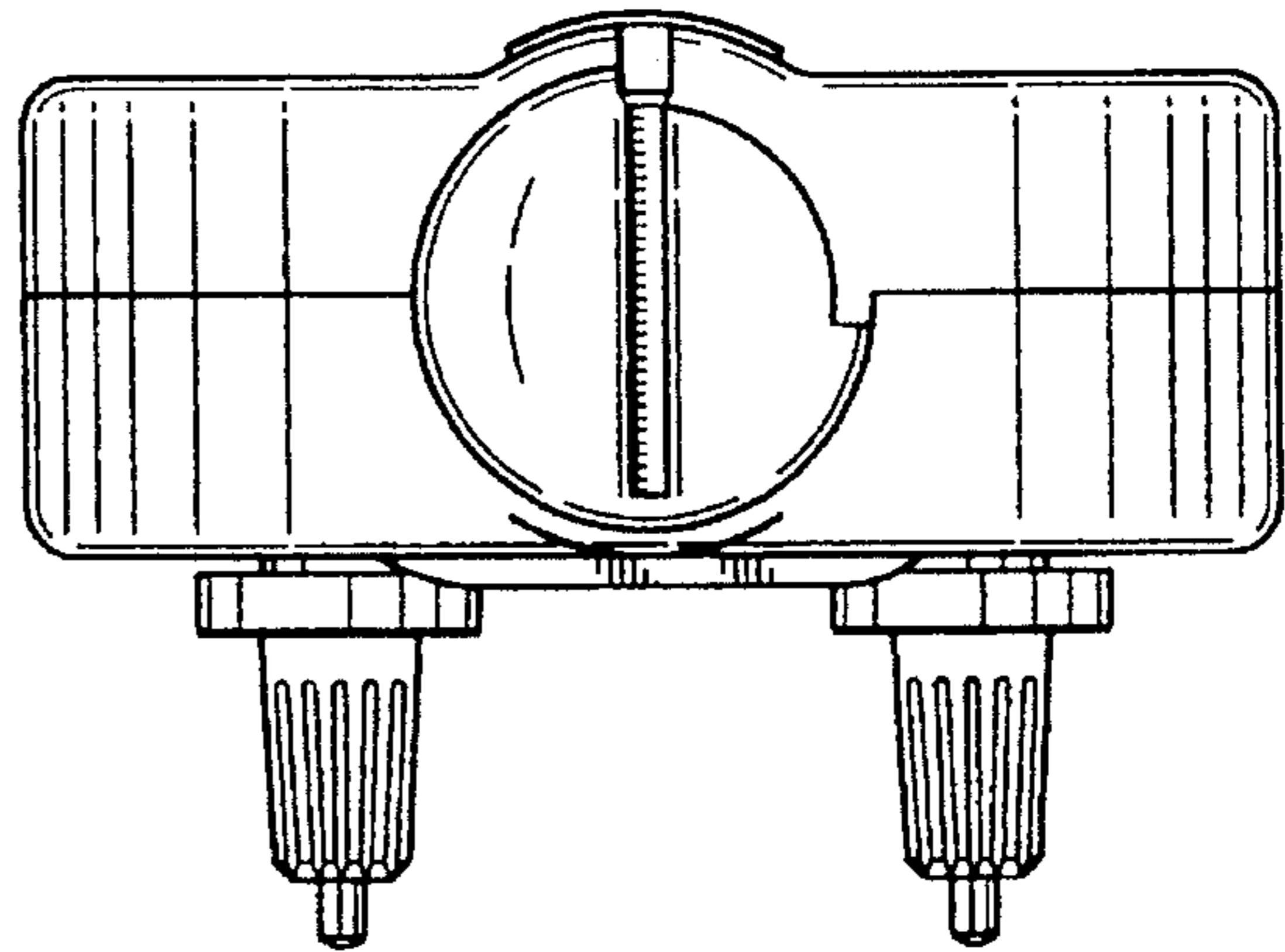
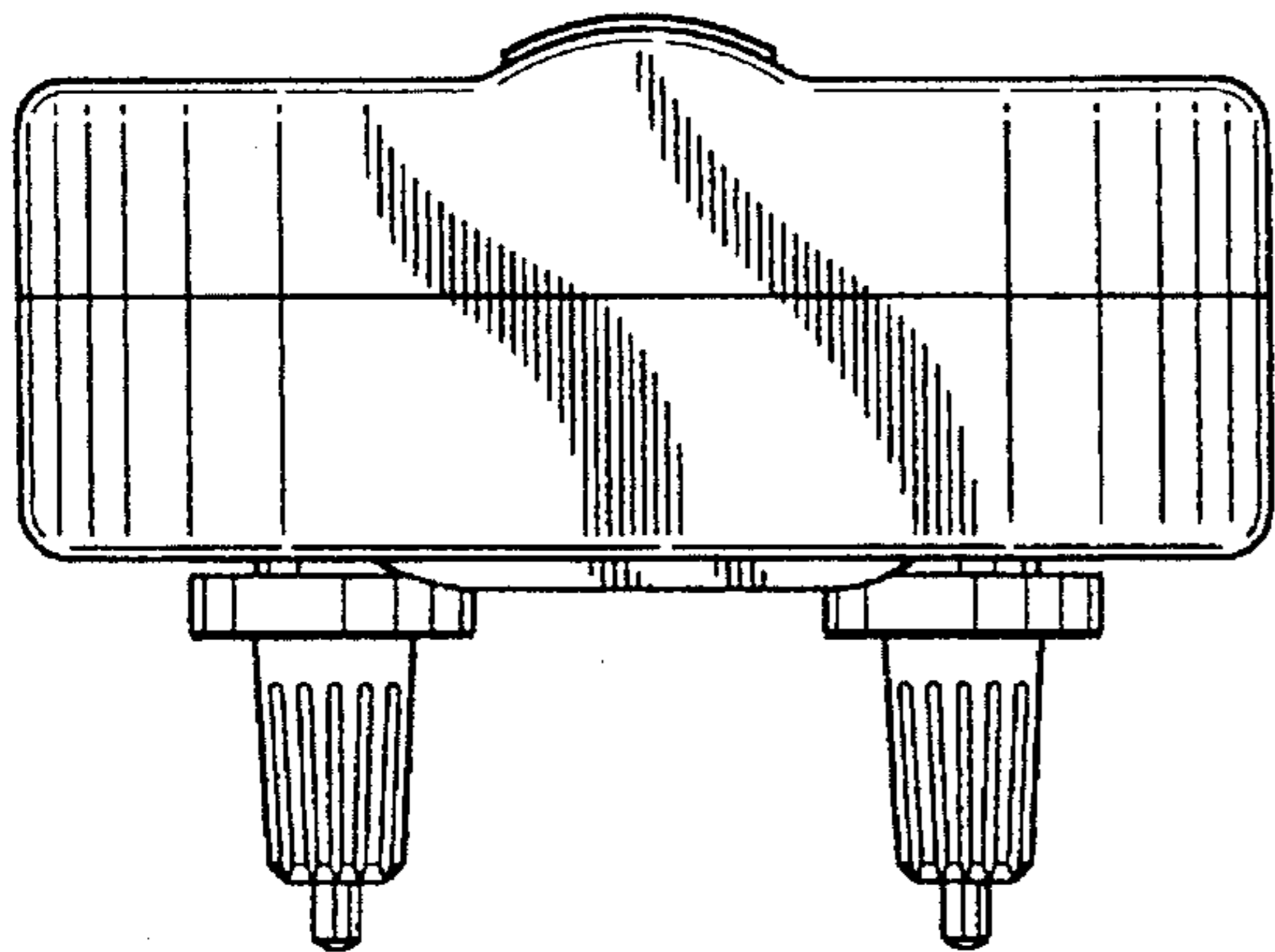
FIG. 6 is a right-side elevational view of the receiver of an electronic dog collar shown in FIG. 1.

[56] References Cited

U.S. PATENT DOCUMENTS

D. 298,872	12/1988	Cassel et al.	D30/152
D. 306,504	3/1990	Young	D30/152
D. 330,173	10/1992	Juliana et al.	D10/106
2,455,843	5/1948	Jacob	D30/152

1 Claim, 1 Drawing Sheet



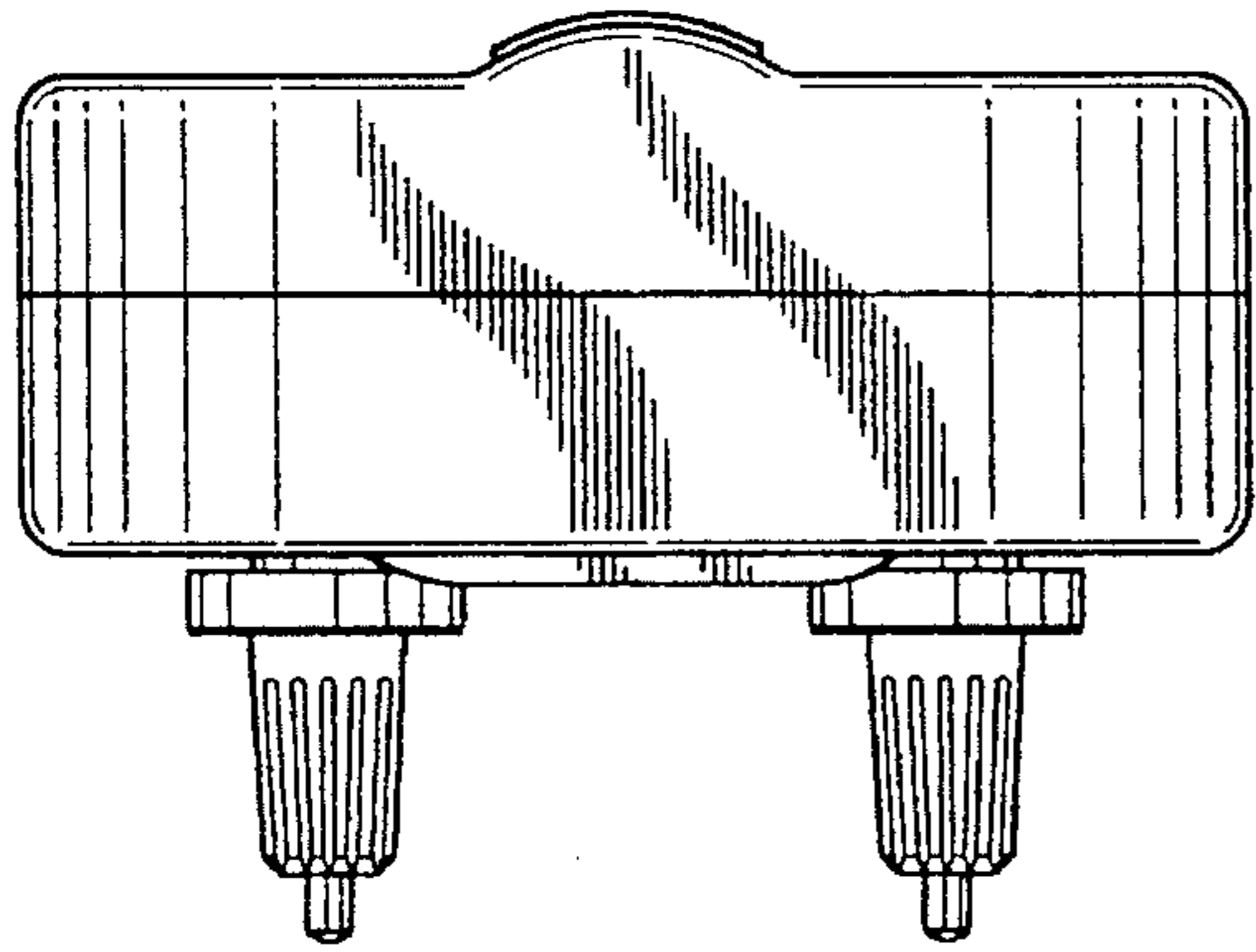


FIG. 1

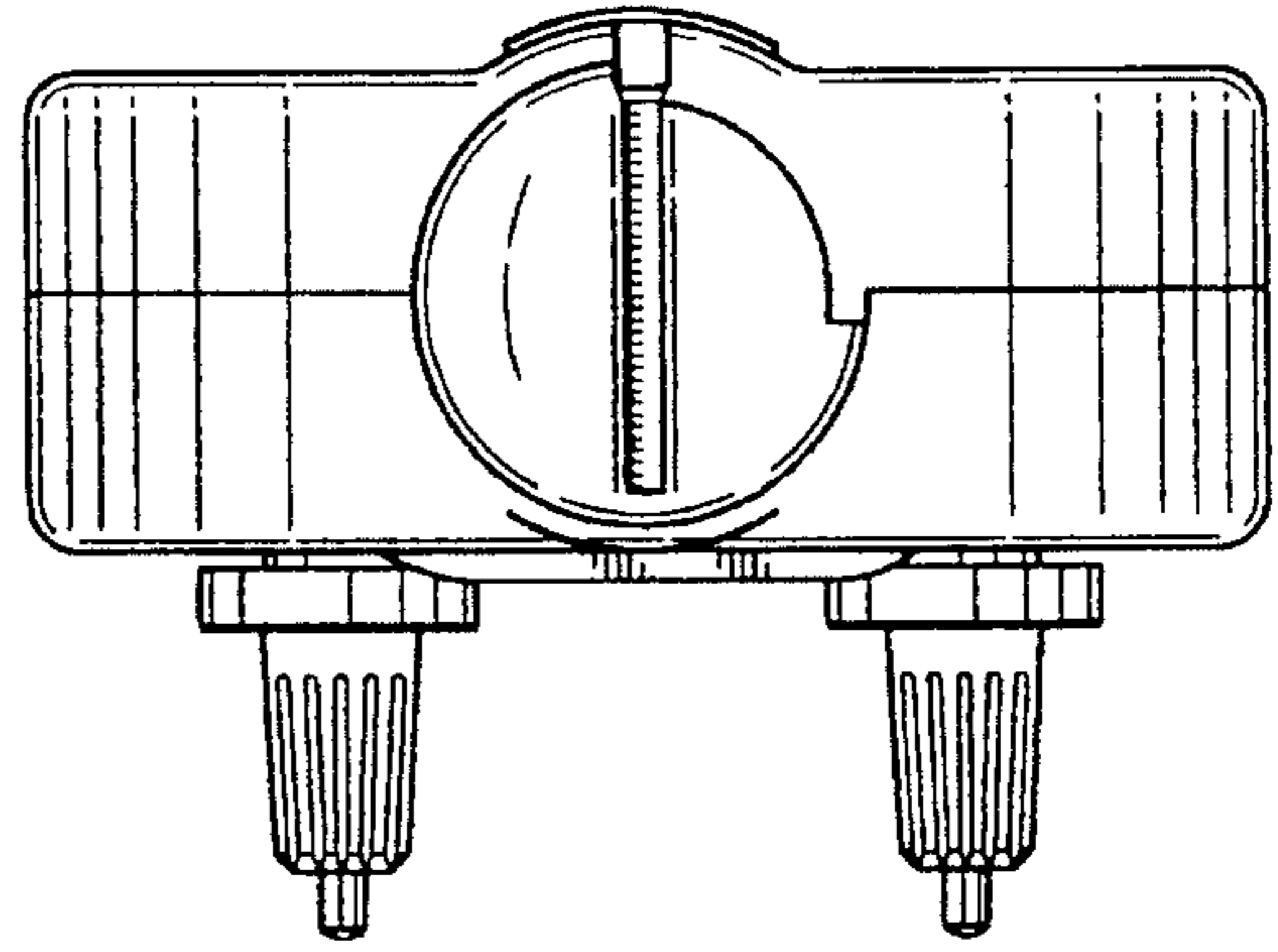


FIG. 2

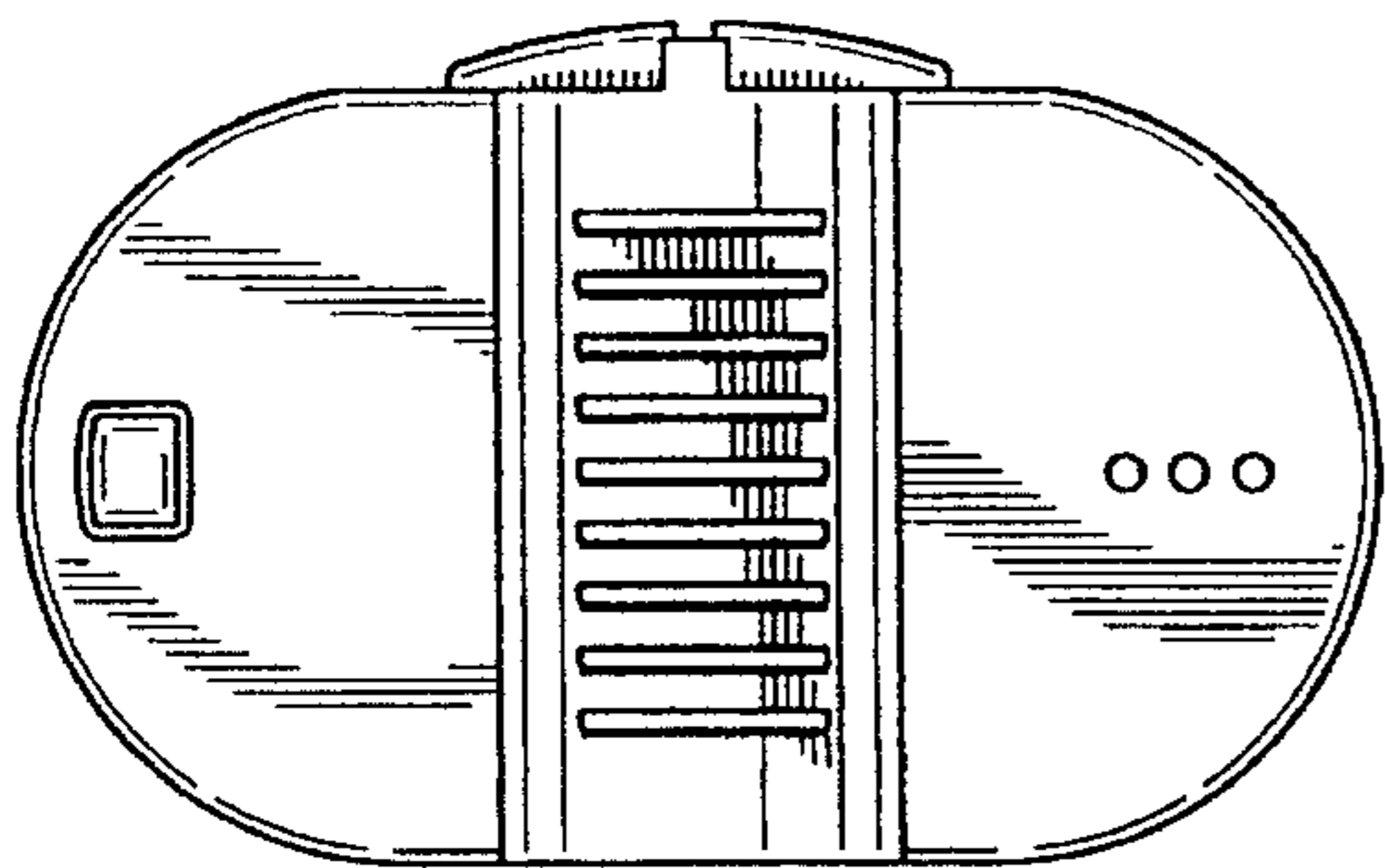


FIG. 3

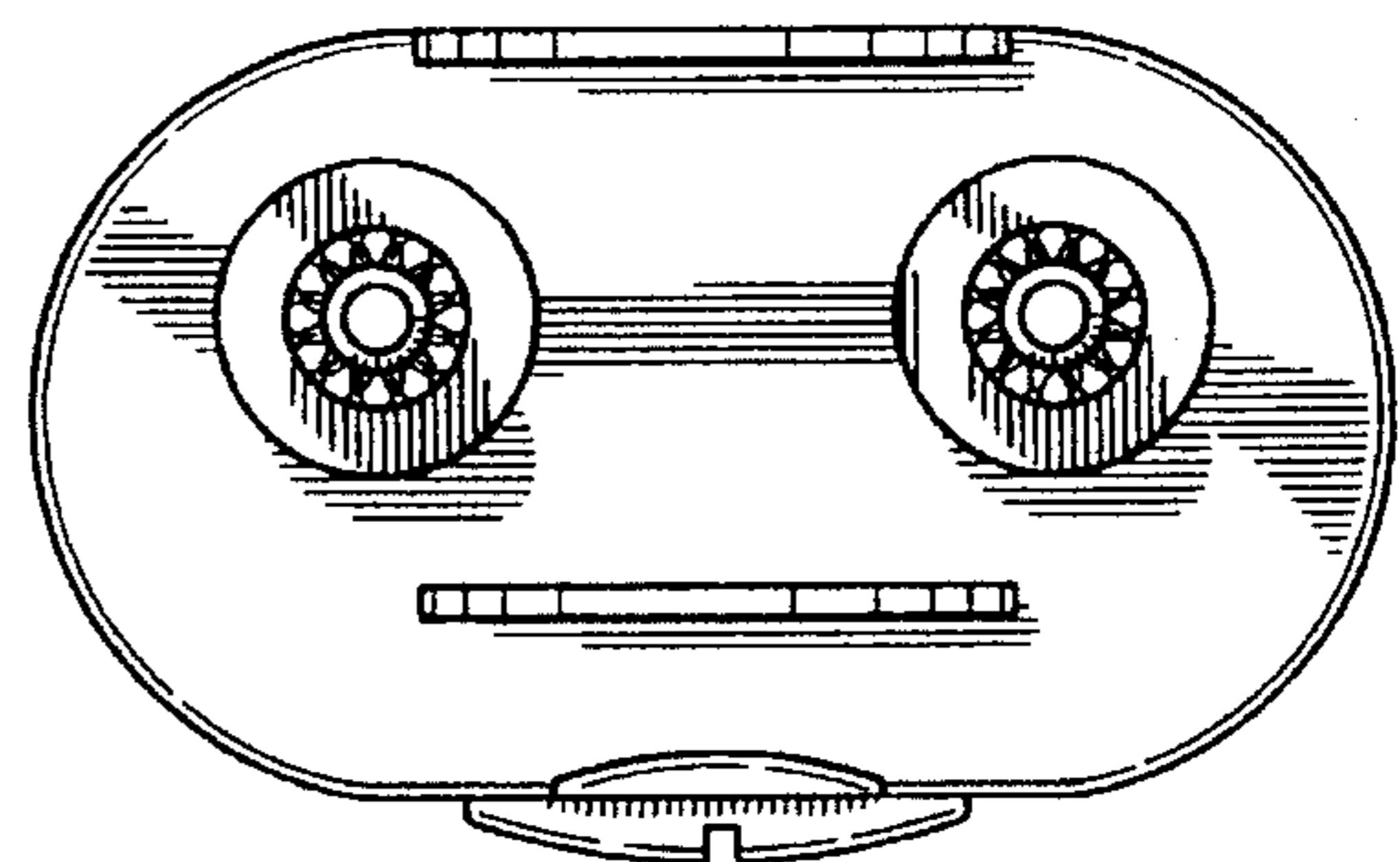


FIG. 4

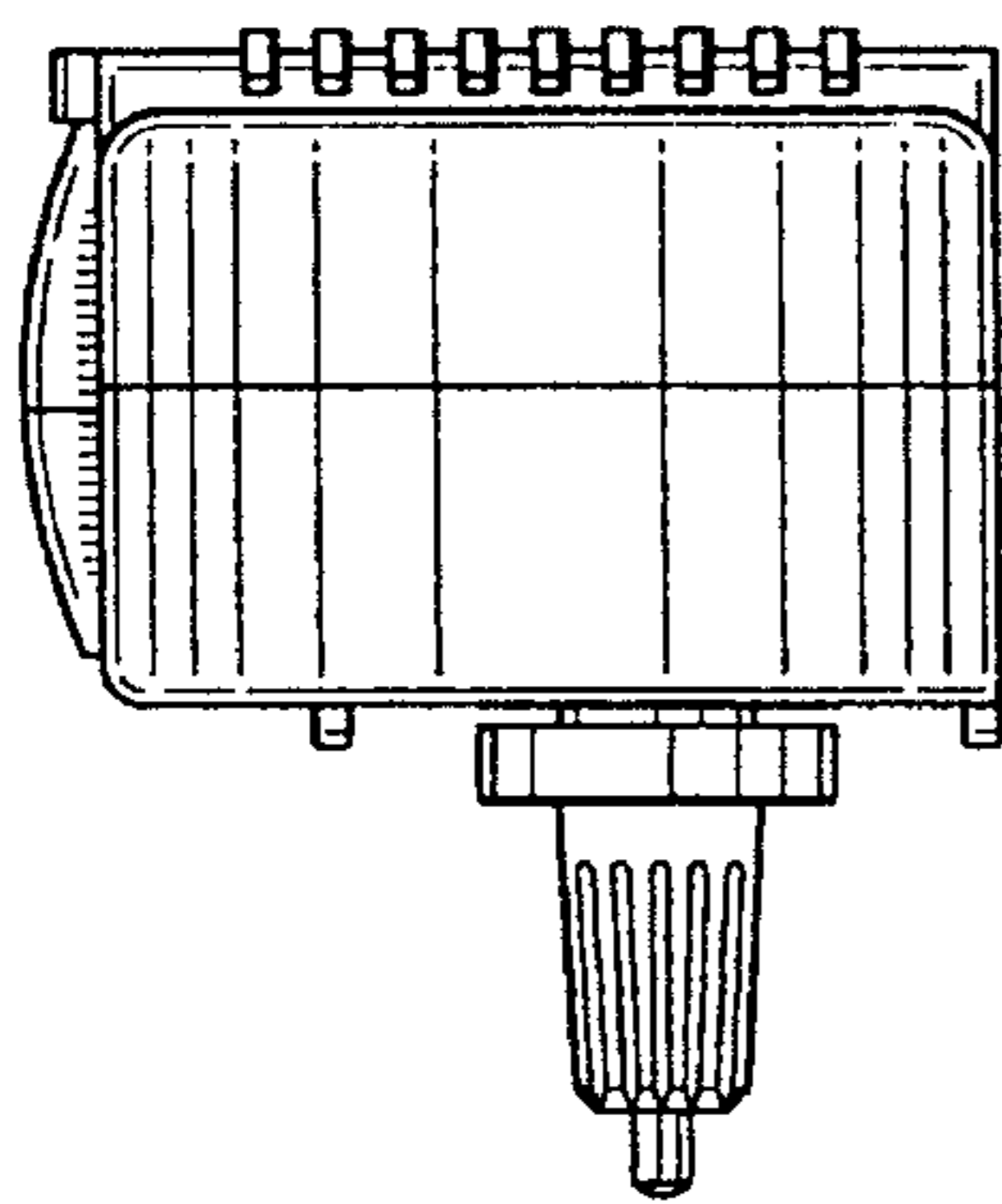


FIG. 5

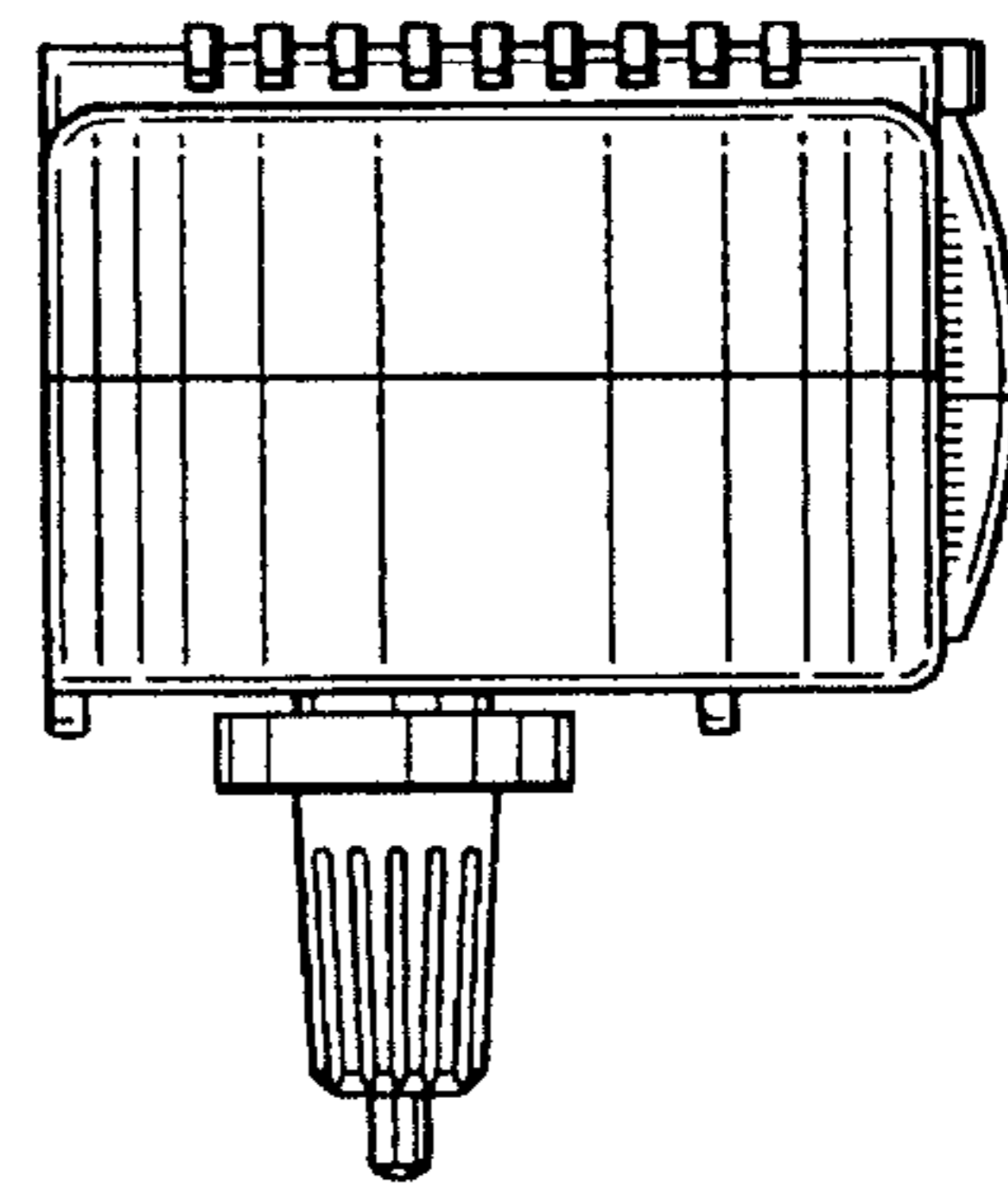


FIG. 6