



US00D376539S

United States Patent [19]

Shofner

[11] Patent Number: **Des. 376,539**

[45] Date of Patent: ****Dec. 17, 1996**

[54] **SEALANT CARTRIDGE**

[75] Inventor: **Stan Shofner**, Pasadena, Calif.

[73] Assignee: **Courtaulds Aerospace, Inc.**, Burbank, Calif.

[**] Term: **14 Years**

[21] Appl. No.: **47,909**

[22] Filed: **Dec. 14, 1995**

[52] U.S. Cl. **D9/417**

[58] Field of Search D9/417, 428, 414, D9/302, 500, 503, 504; D8/14, 14.1; 206/303, 443, 446; 220/466, 415, 4.21, 4.24, 4.25; 229/93, 4.5

D. 351,337	10/1994	Bonnema et al.	D9/500 X
D. 356,495	3/1995	Nilsson et al.	D9/417
2,756,105	7/1956	Magill	206/446 X
3,147,681	9/1964	Saderson	229/93
4,373,646	2/1983	MacEwen	229/4.5 X
4,555,023	11/1985	Sykes et al.	206/446

Primary Examiner—Prabhakar G. Deshmukh
Attorney, Agent, or Firm—Gifford, Krass, Groh, Sprinkle, Patmore, Anderson & Citkowski, P.C.

[57] **CLAIM**

The ornamental design for sealant cartridge, as shown and described.

DESCRIPTION

FIG. 1 is a front elevational view of a sealant cartridge showing my new design; the rear elevational view being a mirror image thereof;

FIG. 2 is a left side elevational view thereof;

FIG. 3 is a right side elevational view thereof; and,

FIG. 4 is a perspective view thereof.

[56] **References Cited**

U.S. PATENT DOCUMENTS

D. 60,361	2/1922	Moore	D8/14.1
D. 220,308	3/1971	Cook	D8/14.1
D. 262,291	12/1981	Bopst, III	D15/144
D. 308,025	5/1990	Gregory	D9/415

1 Claim, 1 Drawing Sheet

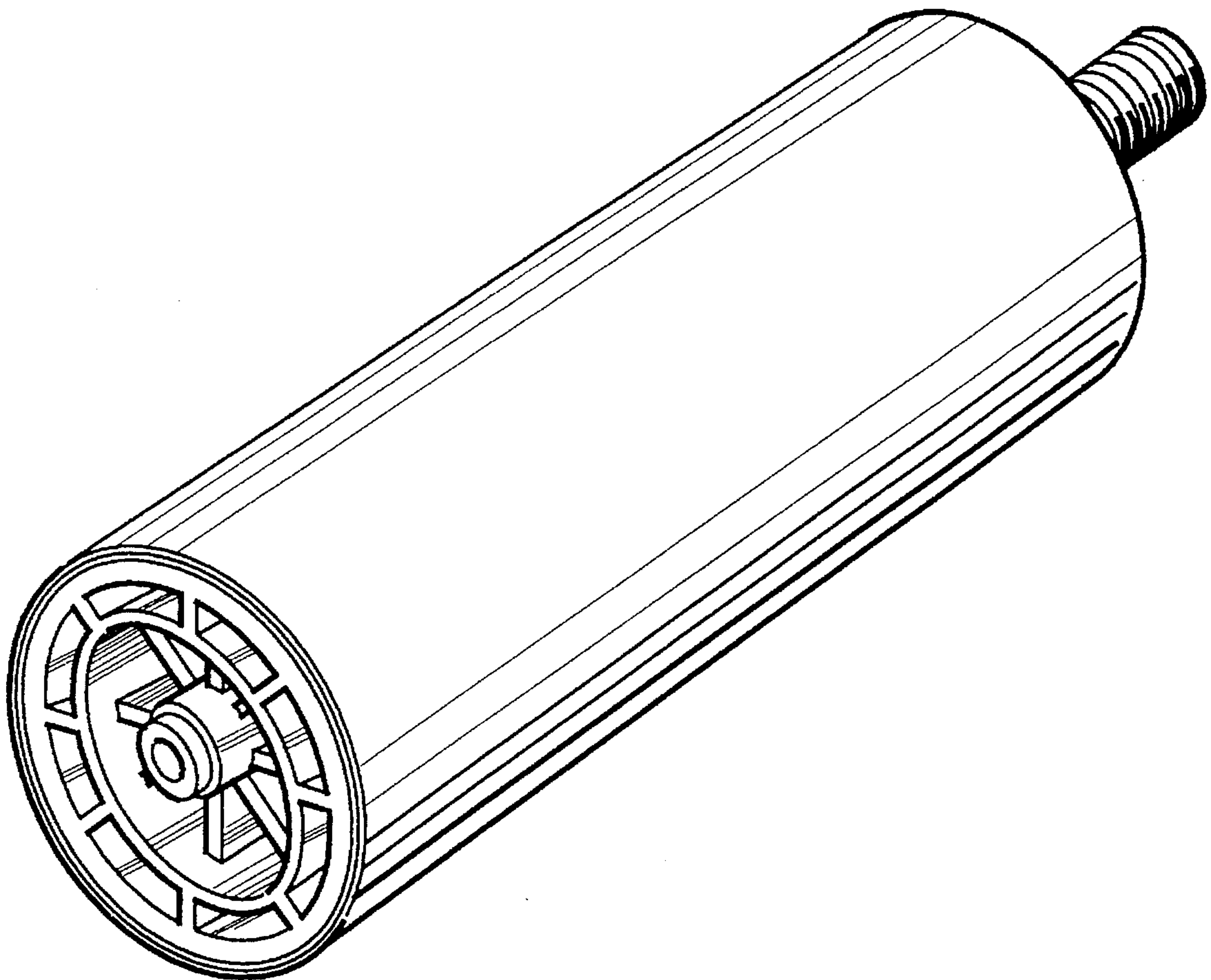


Fig-1

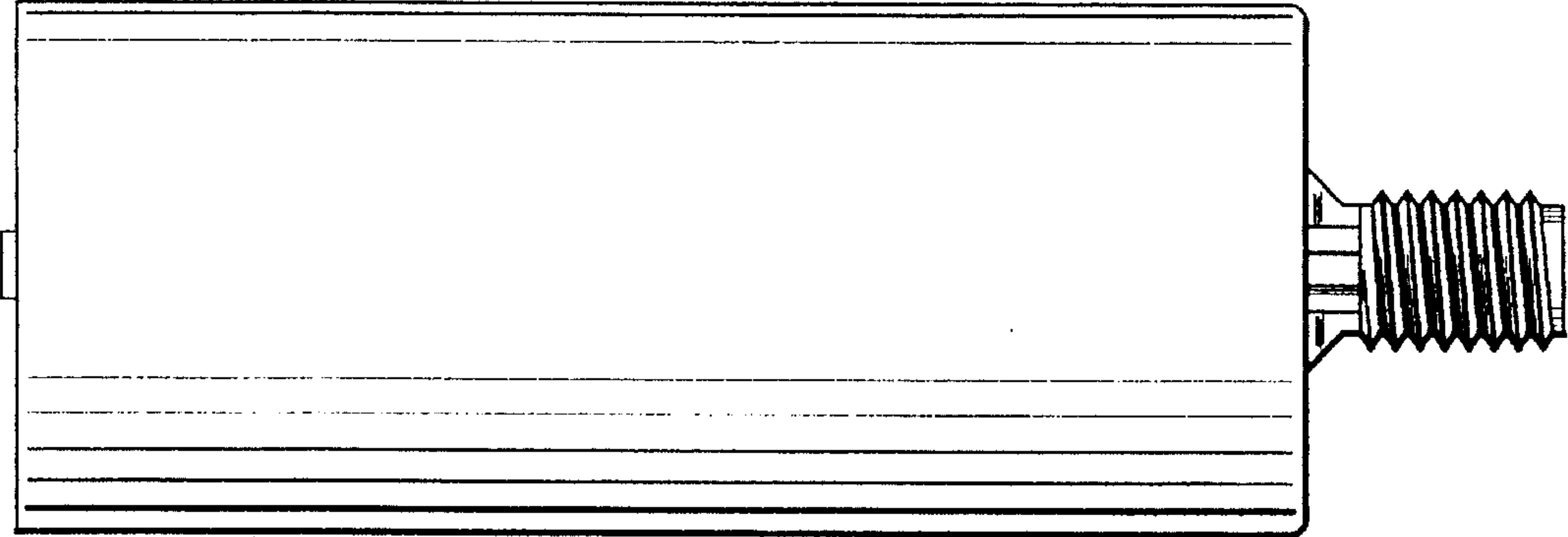


Fig-2

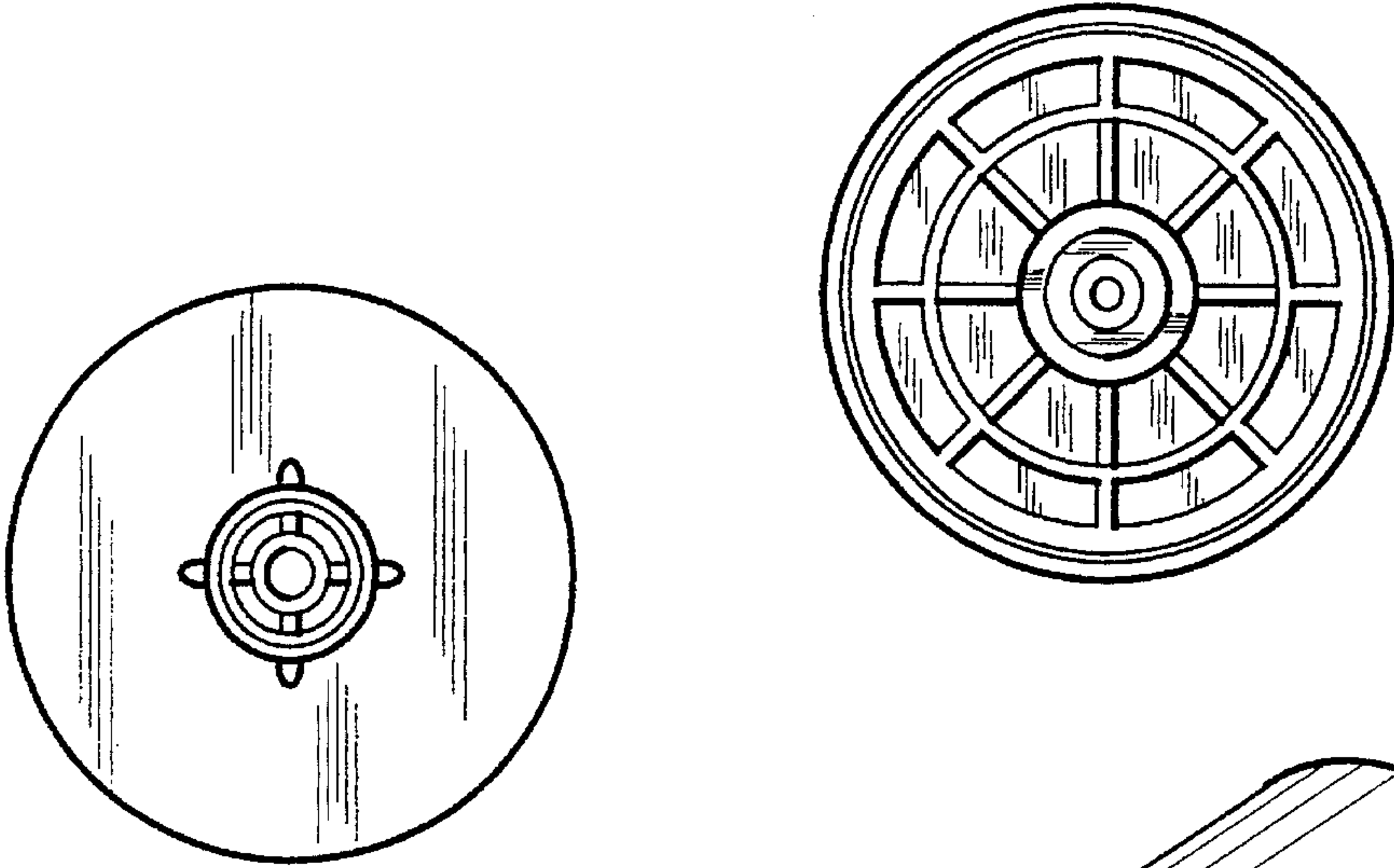


Fig-3

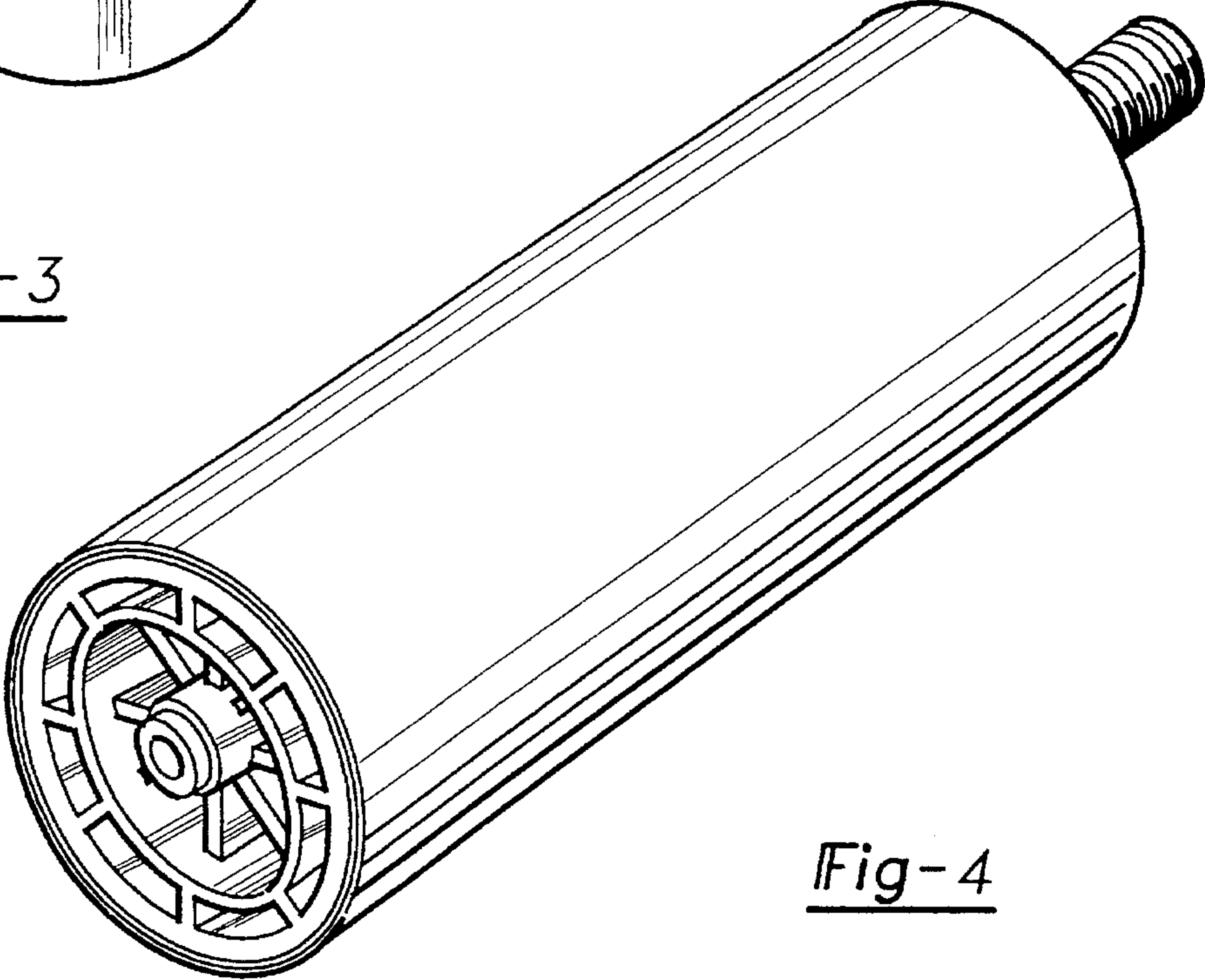


Fig-4