



US00D376537S

United States Patent [19]

Layne

[11] Patent Number: **Des. 376,537**

[45] Date of Patent: ****Dec. 17, 1996**

[54] CONTAINER

5,350,058 9/1994 Keough 220/662 X

[76] Inventor: **Frank Layne**, 4900 N. Ocean Dr., Fort Lauderdale, Fla. 33308

Primary Examiner—Prabhakar G. Deshmukh
Assistant Examiner—Cheri Cohen
Attorney, Agent, or Firm—Herbert L. Lerner; Laurence A. Greenberg

[**] Term: **14 Years**

[21] Appl. No.: **48,929**

[57] CLAIM

[22] Filed: **Jan. 16, 1996**

The ornamental design for a container, as shown and described.

[52] U.S. Cl. **D9/320; D9/428**

[58] Field of Search D9/320, 307, 418, D9/428, 414; D2/865, 872; D29/102, 106; 229/87.15; 220/376; 206/457, 458, 8; 2/195.1, 209.12, 909

DESCRIPTION

[56] References Cited

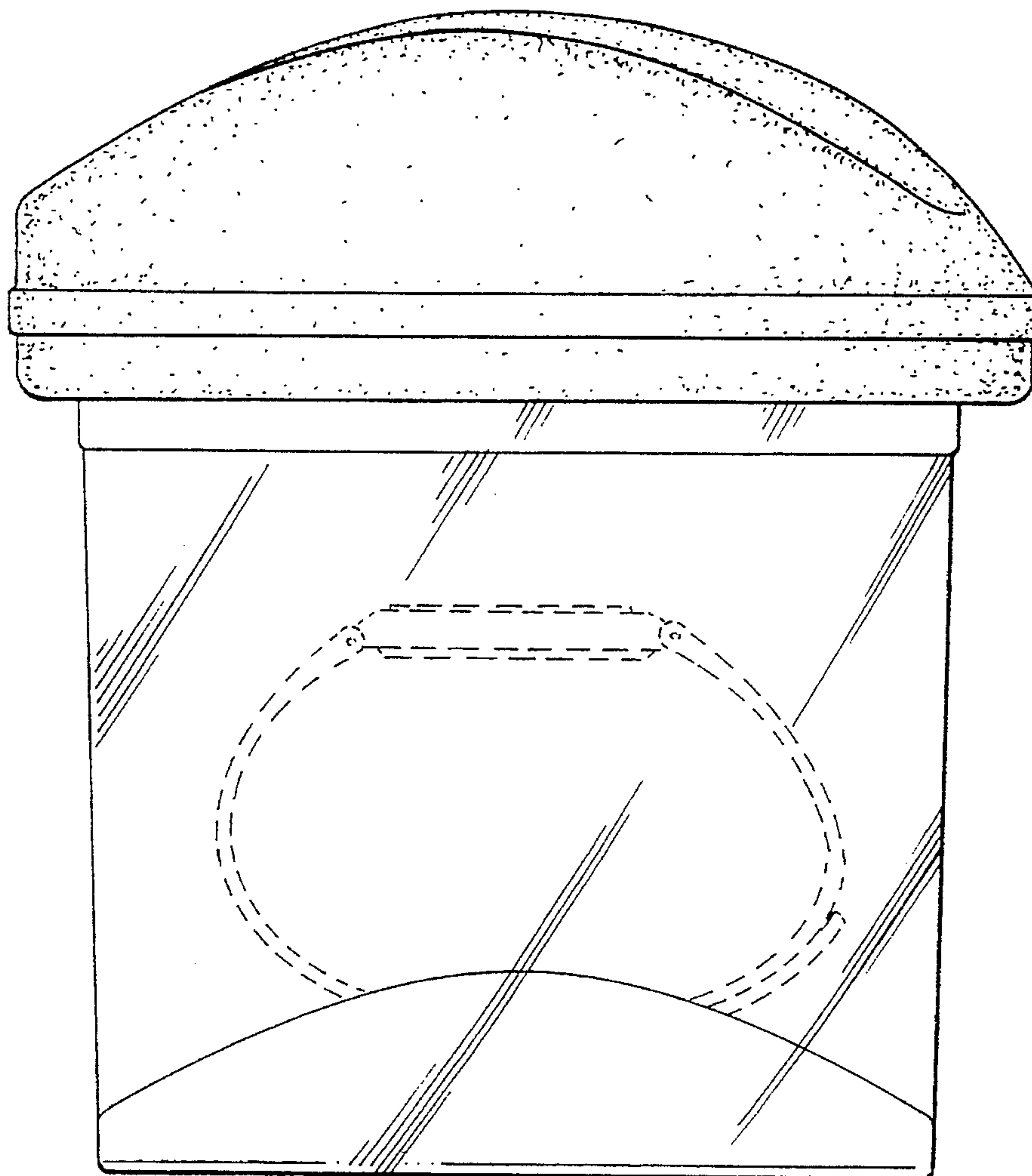
U.S. PATENT DOCUMENTS

D. 255,394	6/1980	McNabb	D29/102
D. 259,768	7/1981	Banasiak, Jr.	D9/414
D. 318,223	7/1991	Allen	D9/320
D. 322,402	12/1991	Budzbanowski	D9/428
D. 357,554	4/1995	Garneau	D29/102
D. 362,801	10/1995	Milroy	D9/428 X

FIG. 1 is a side elevation view of a container showing my new design, the opposite side being a mirror image; FIG. 2 is a front elevation view thereof; FIG. 3 is a rear elevation view thereof; FIG. 4 is a top plan view thereof; and, FIG. 5 is a bottom plan view thereof.

The broken line showing of the watch in FIG. 1 is for illustrative purposes only and forms no part of the claimed design.

1 Claim, 4 Drawing Sheets



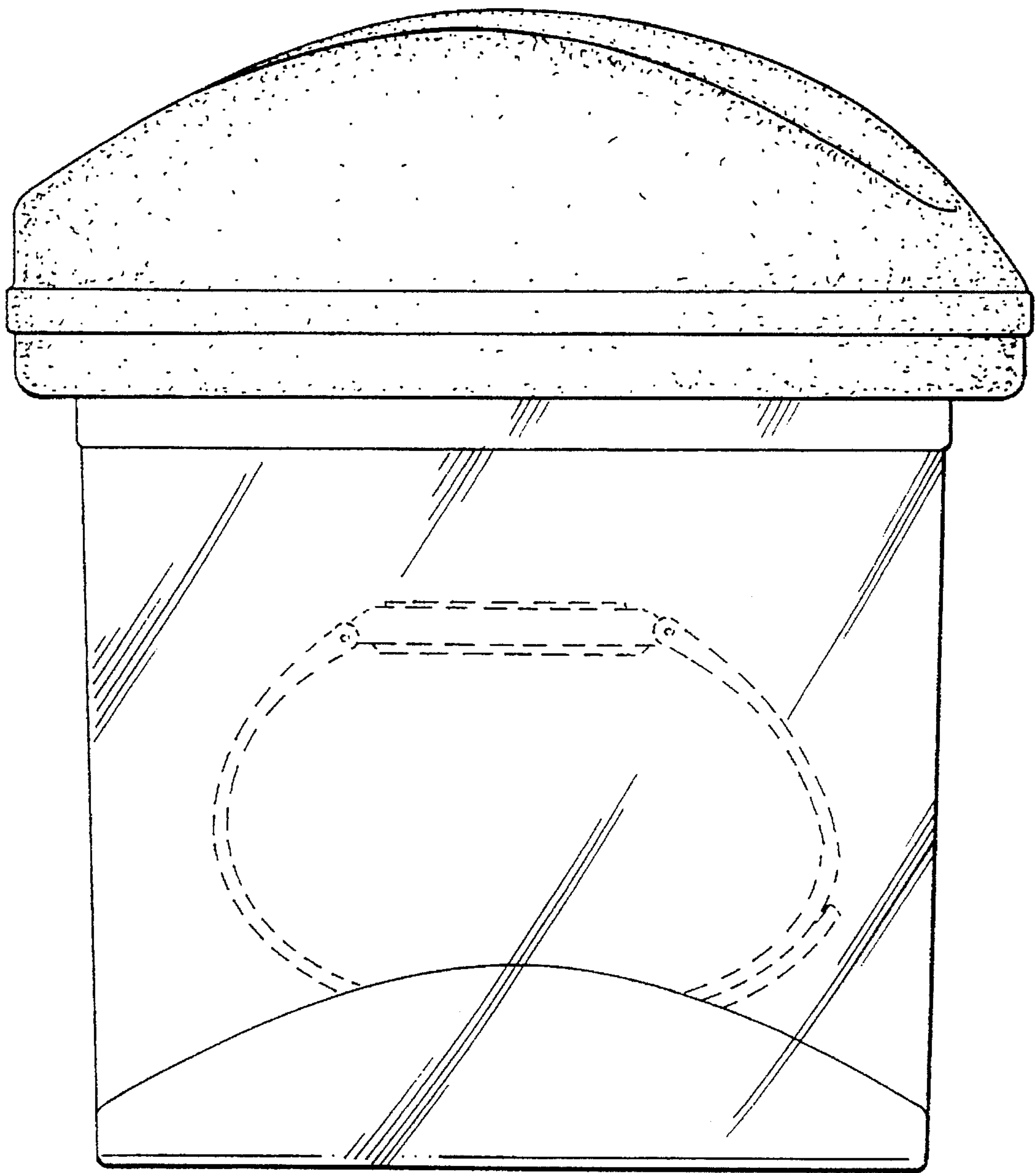


Fig. 1

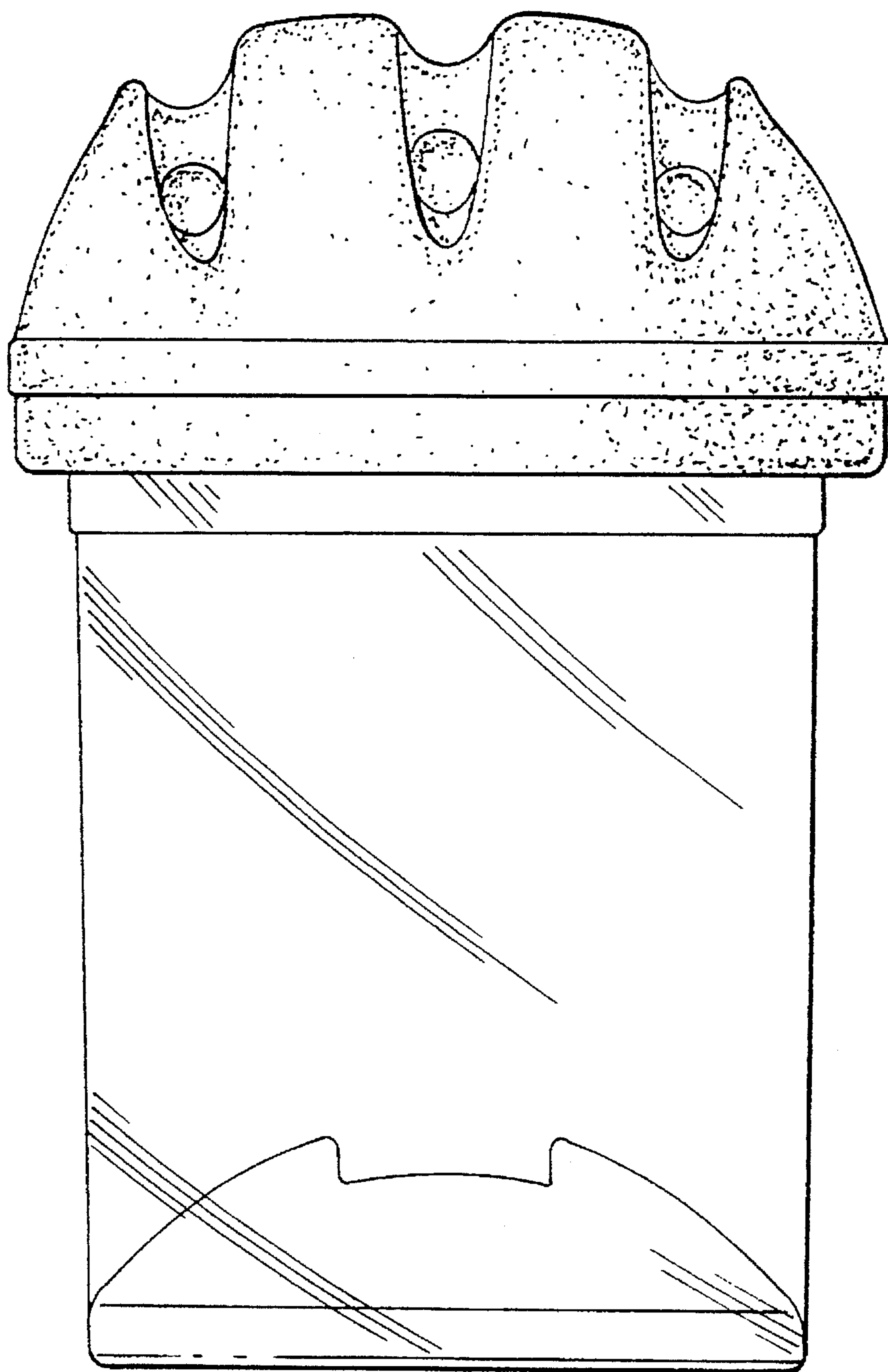


Fig. 2

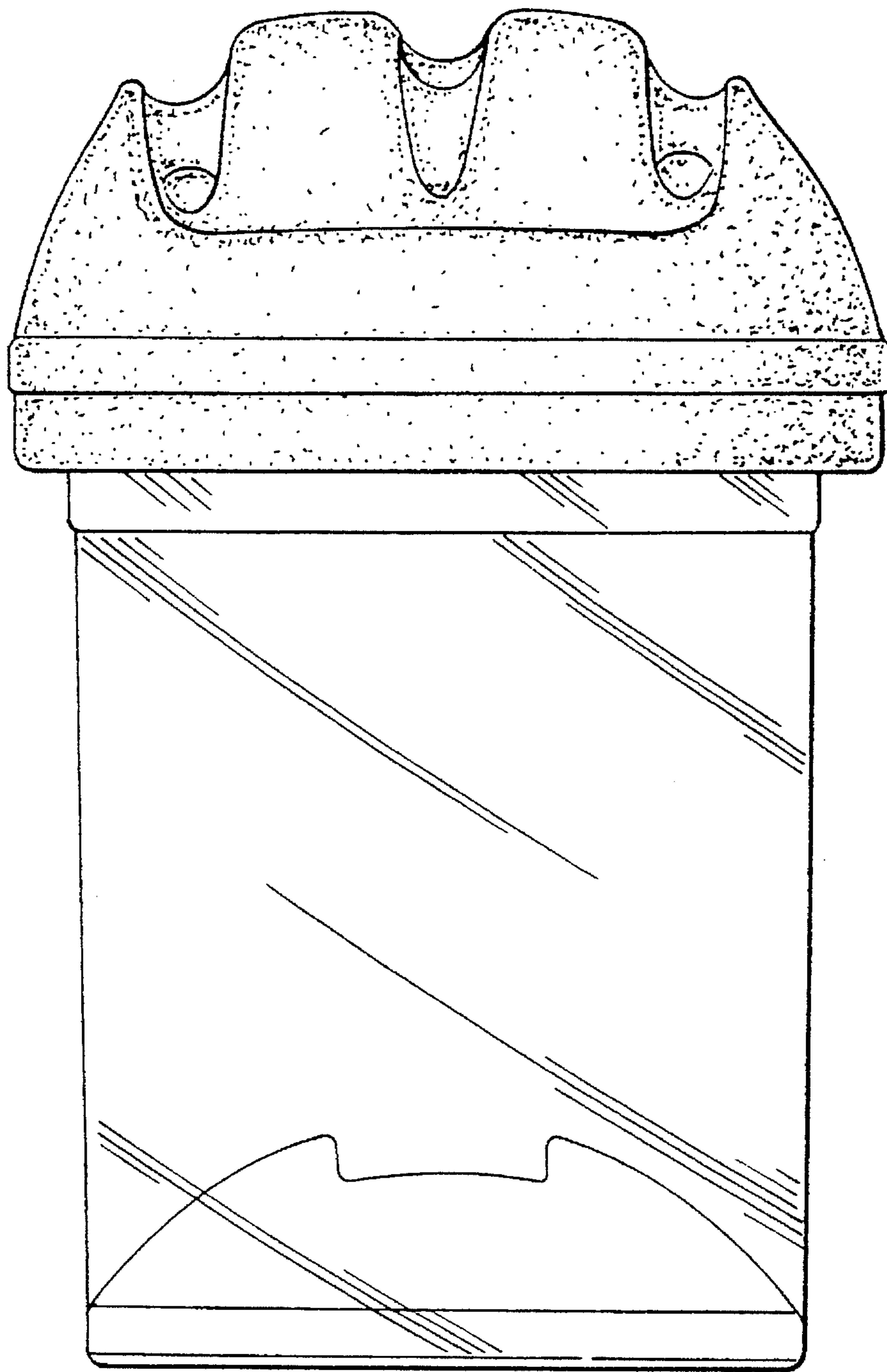


Fig. 3

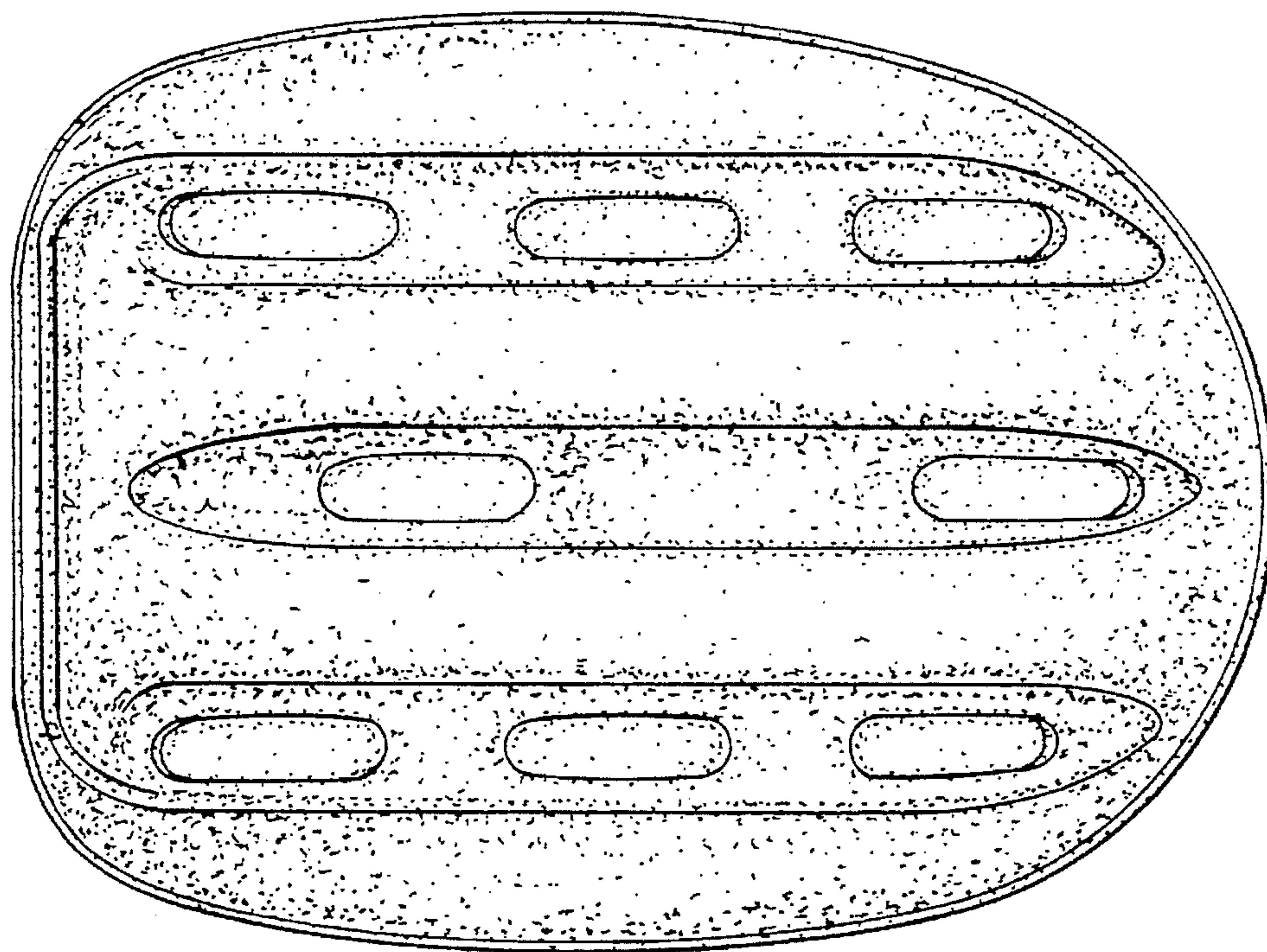


Fig. 4

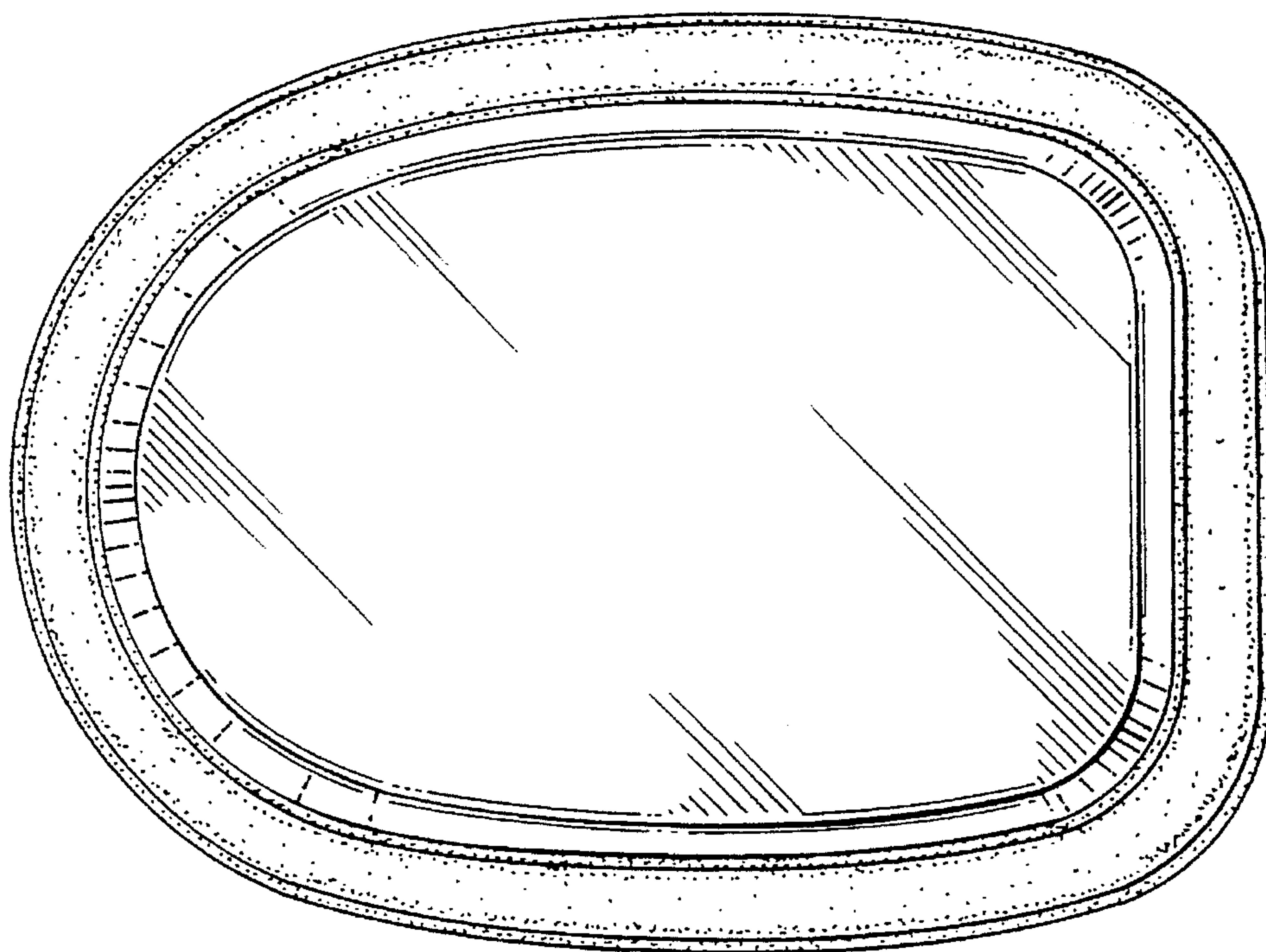


Fig. 5