



US00D376535S

# United States Patent [19]

Gary et al.

[11] Patent Number: **Des. 376,535**

[45] Date of Patent: **\*\*Dec. 17, 1996**

[54] **ARTICULATED DECORATIVE LIGHT SUPPORT BRACKET**

[75] Inventors: **Lonnie F. Gary**, Lake Ransom Canyon, Tex.; **Peter A. Brown**, Chicago, Ill.; **Steven K. Hargrove**, Lubbock, Tex.

[73] Assignee: **Industrial Molding Corporation**, Lubbock, Tex.

[\*\*] Term: **14 Years**

[21] Appl. No.: **45,063**

[22] Filed: **Oct. 6, 1995**

[52] U.S. Cl. .... **D8/395; D8/354; D26/138**

[58] Field of Search ..... **D8/354, 394-396; D26/138; 248/316; 362/249, 388, 396**

[56] **References Cited**

**U.S. PATENT DOCUMENTS**

D. 324,990	3/1992	Gary	.....	D8/354
D. 325,866	5/1992	Gary	.....	D8/354
D. 340,183	12/1993	Rumpel	.....	D8/349 X
D. 356,246	3/1995	Adams	.....	D8/349 X
D. 356,492	3/1995	Adams	.....	D8/349 X
3,540,687	11/1970	Cuva	.....	248/316

3,599,918	8/1971	Patchett	.....	248/215
4,905,131	2/1990	Gary	.....	362/249
4,974,128	11/1990	Prickett	.....	362/145
5,249,108	9/1993	Gary	.....	362/388

**OTHER PUBLICATIONS**

Photocopy of Gem Electric Mfg. Co., Inc. package of "Christmas Light Gutter Hooks and Light Grips"; Catalog No. 0045D; date at least as early as Oct. 1990; 2 pages.

*Primary Examiner*—Holly H. Baynham  
*Attorney, Agent, or Firm*—Ross, Clapp, Korn & Montgomery, LLP

[57] **CLAIM**

The ornamental design for "articulated decorative light support bracket", as shown and described.

**DESCRIPTION**

FIG. 1 is a top plan view thereof;  
FIG. 2 is a front elevation view thereof;  
FIG. 3 is a left side elevation view thereof;  
FIG. 4 is a right side elevation view thereof;  
FIG. 5 is a bottom plan view thereof; and,  
FIG. 6 is a rear elevation view thereof.

**1 Claim, 1 Drawing Sheet**

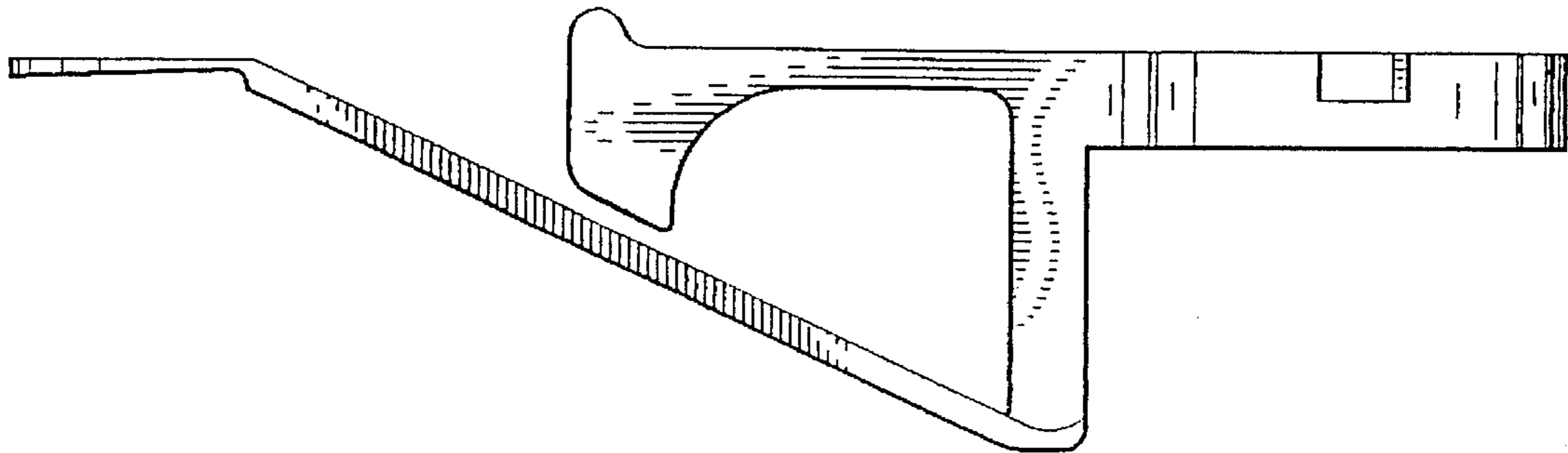


FIG. 1

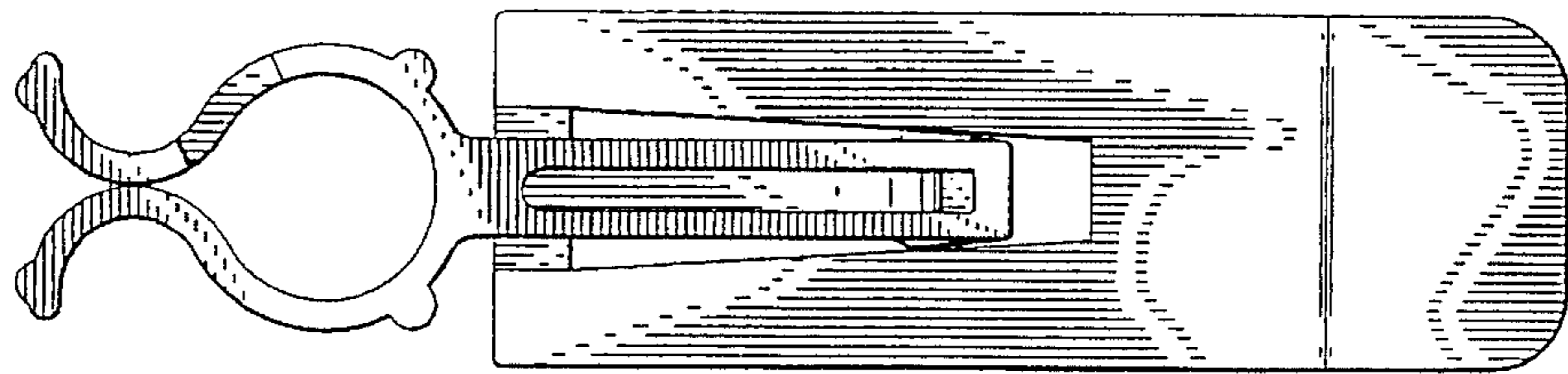


FIG. 2

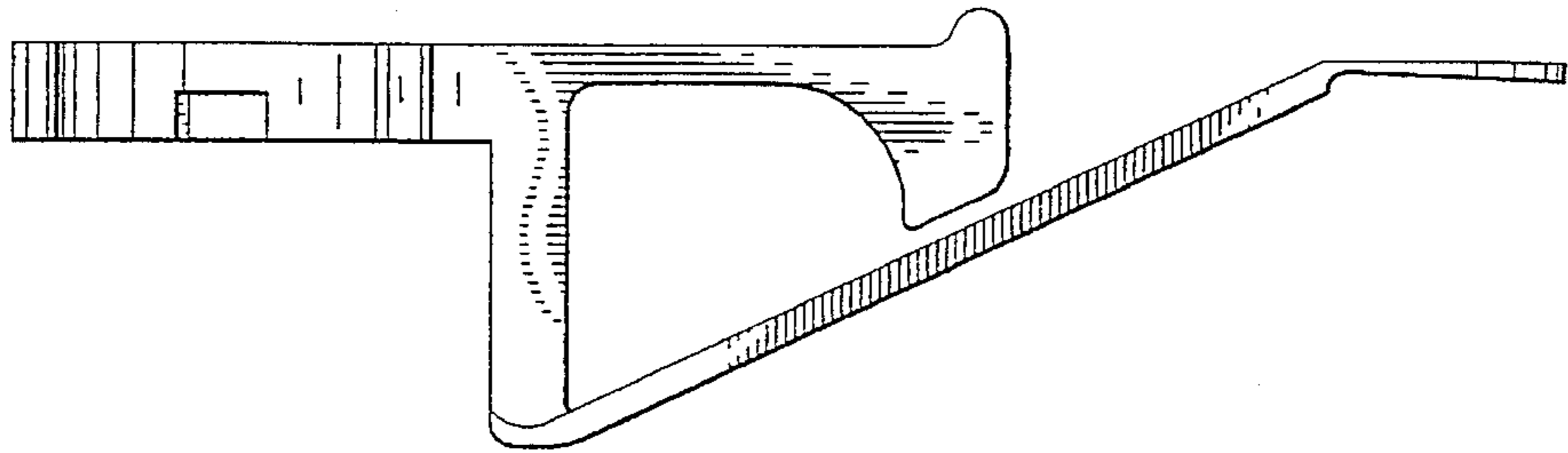


FIG. 3

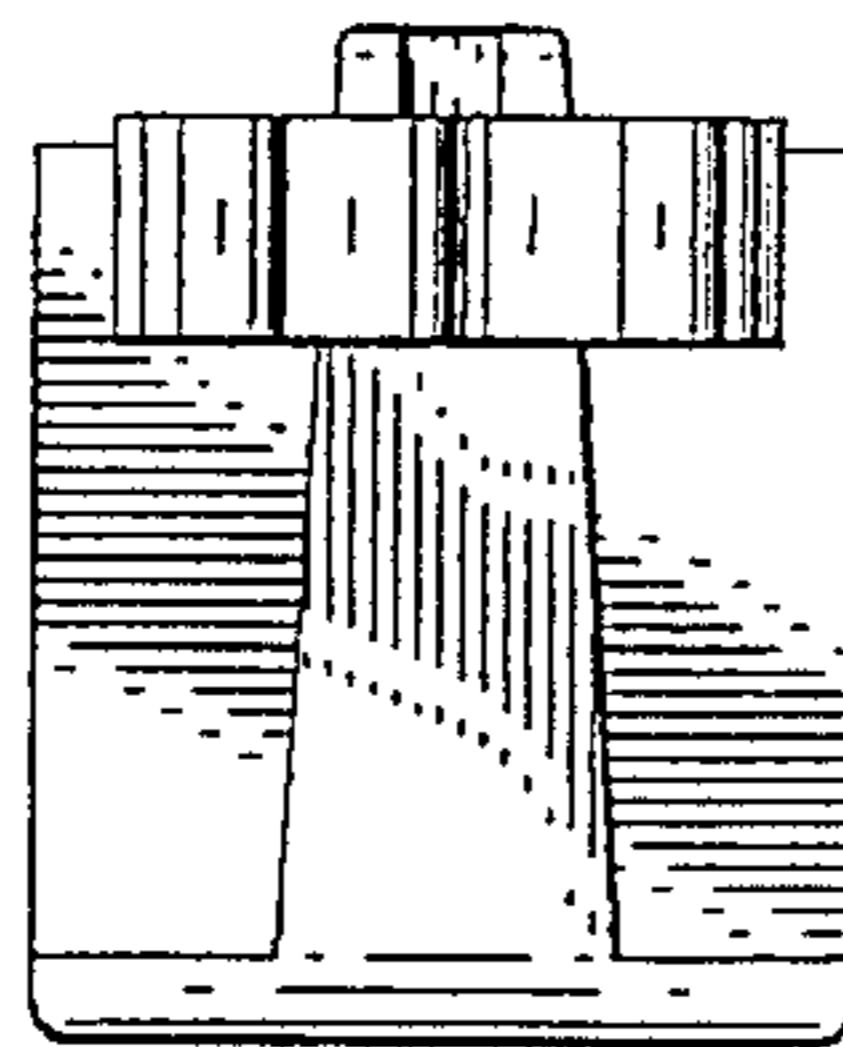


FIG. 4

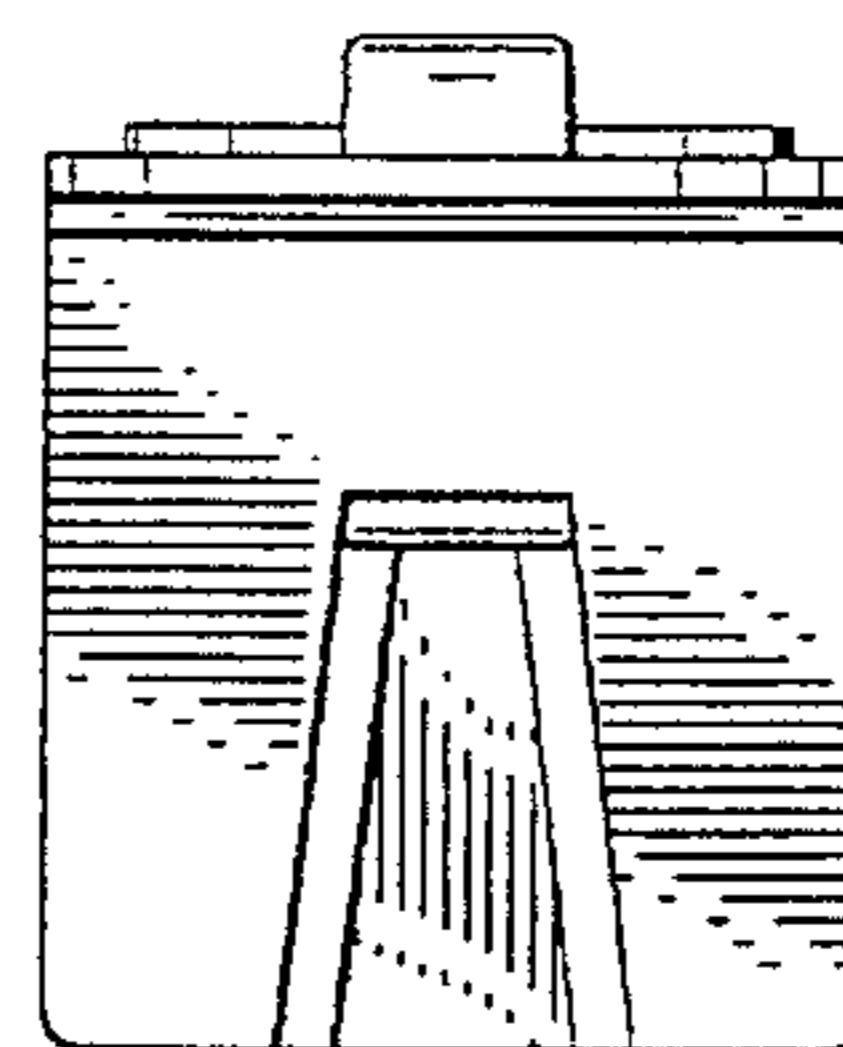


FIG. 5

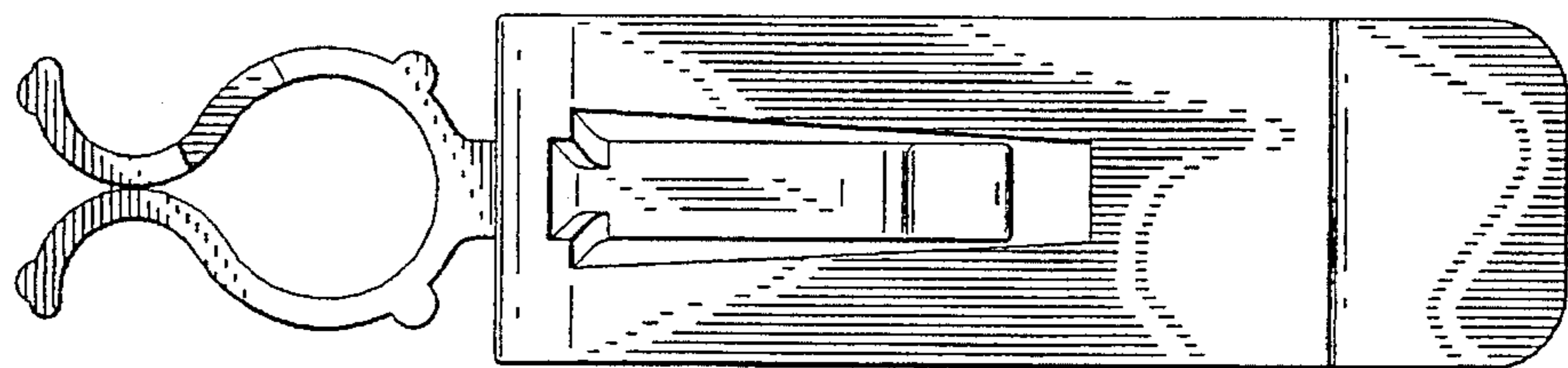


FIG. 6

