



US00D376534S

# United States Patent [19]

Wolff

[11] Patent Number: **Des. 376,534**

[45] Date of Patent: **\*\*Dec. 17, 1996**

[54] **WALL CLIP**

[76] Inventor: **Stephen H. Wolff**, 35 W. 35th St., New York, N.Y. 10001

[\*\*] Term: **14 Years**

[21] Appl. No.: **44,870**

[22] Filed: **Oct. 2, 1995**

[52] U.S. Cl. .... **D8/395**; D19/65; D20/42

[58] Field of Search ..... D8/373, 382, 395; D19/65, 86, 88, 90, 99, 100; 24/509, 510; 211/89; 248/441.1, 442.2, 451-2; D20/42

[56] **References Cited**

**U.S. PATENT DOCUMENTS**

- D. 302,653 8/1989 Wolff .
- D. 315,864 4/1991 Embree et al. .... D8/395
- D. 328,668 8/1992 Legrand ..... D8/395 X
- D. 352,314 11/1994 Wolff .
- D. 358,177 5/1995 Imai et al. .... D20/42
- D. 364,188 11/1995 Wolff .

*Primary Examiner*—Terry A. Wallace  
*Attorney, Agent, or Firm*—Lerner, David, Littenberg, Krumholz & Mentlik

[57] **CLAIM**

The ornamental design for a wall clip, shown and described.

**DESCRIPTION**

FIG. 1 is a front perspective view of a wall clip showing my new design;

FIG. 2 is a front elevational view thereof;

FIG. 3 is a right side elevational view thereof, the left side elevational view being a mirror thereof;

FIG. 4 is a bottom plan view thereof, the broken line showing of the adhesive strip or magnetic strip is for illustrative purposes only and forms no part of the claimed design;

FIG. 5 is a top plan view thereof; and,

FIG. 6 is a rear elevational view thereof.

**1 Claim, 2 Drawing Sheets**

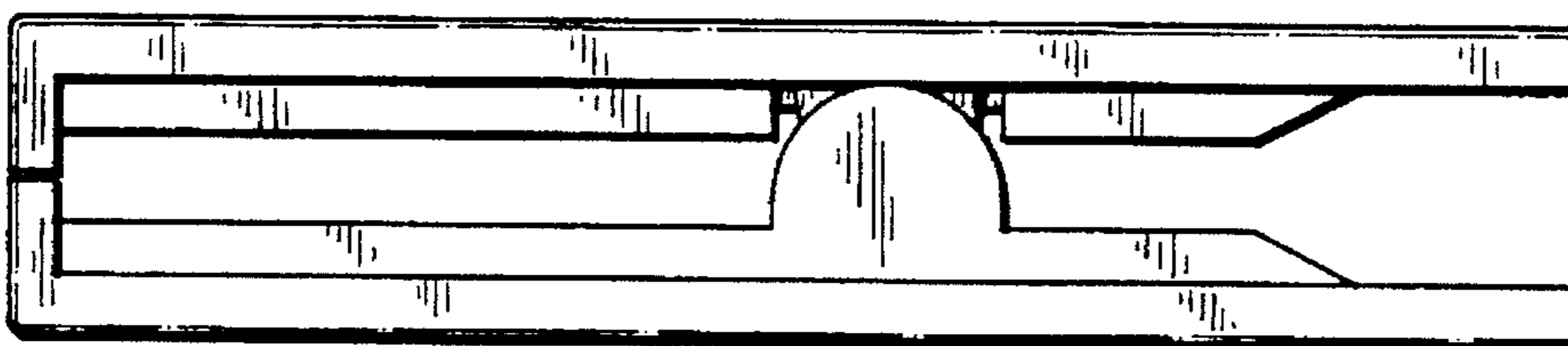
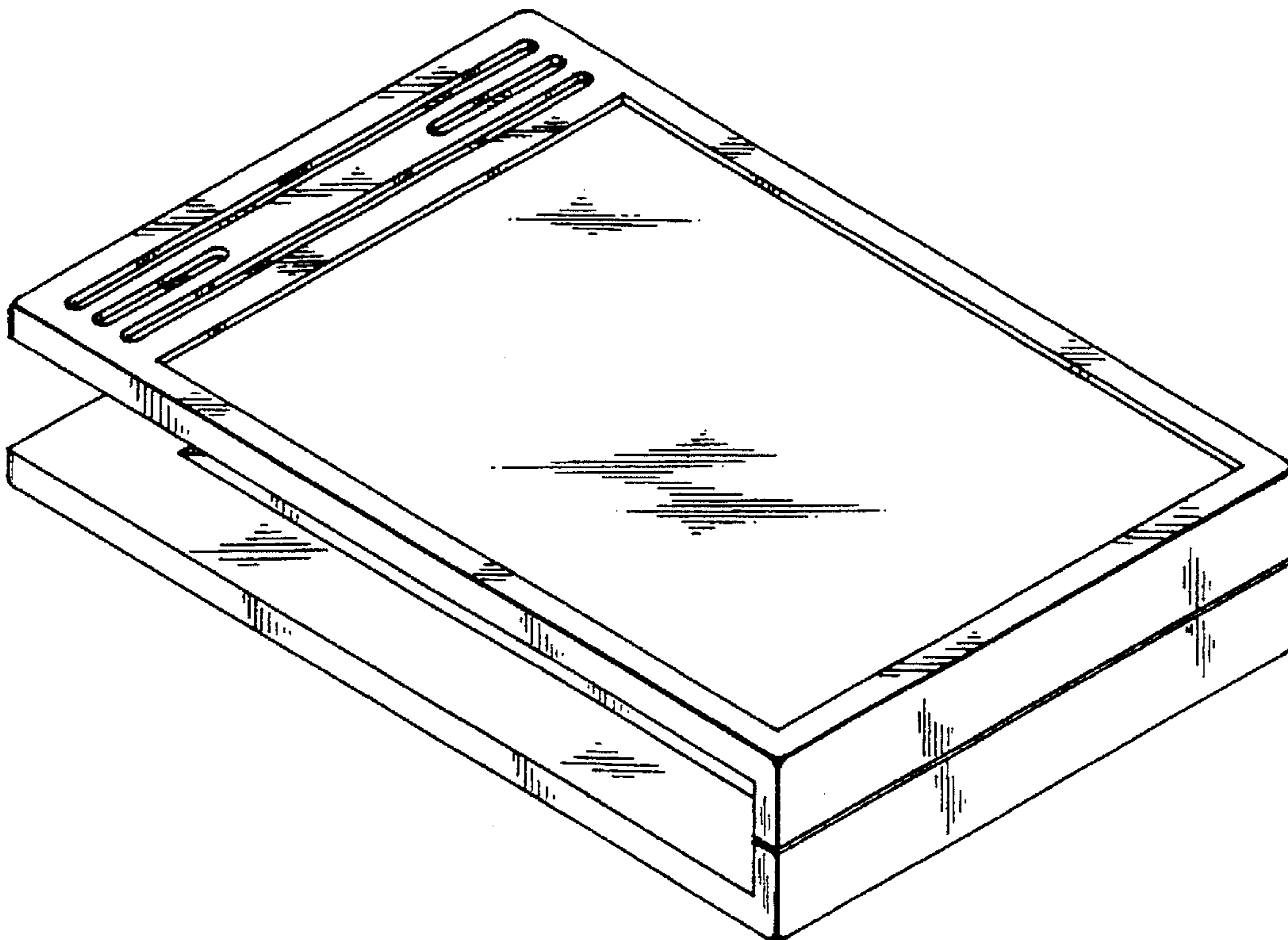


FIG. 1

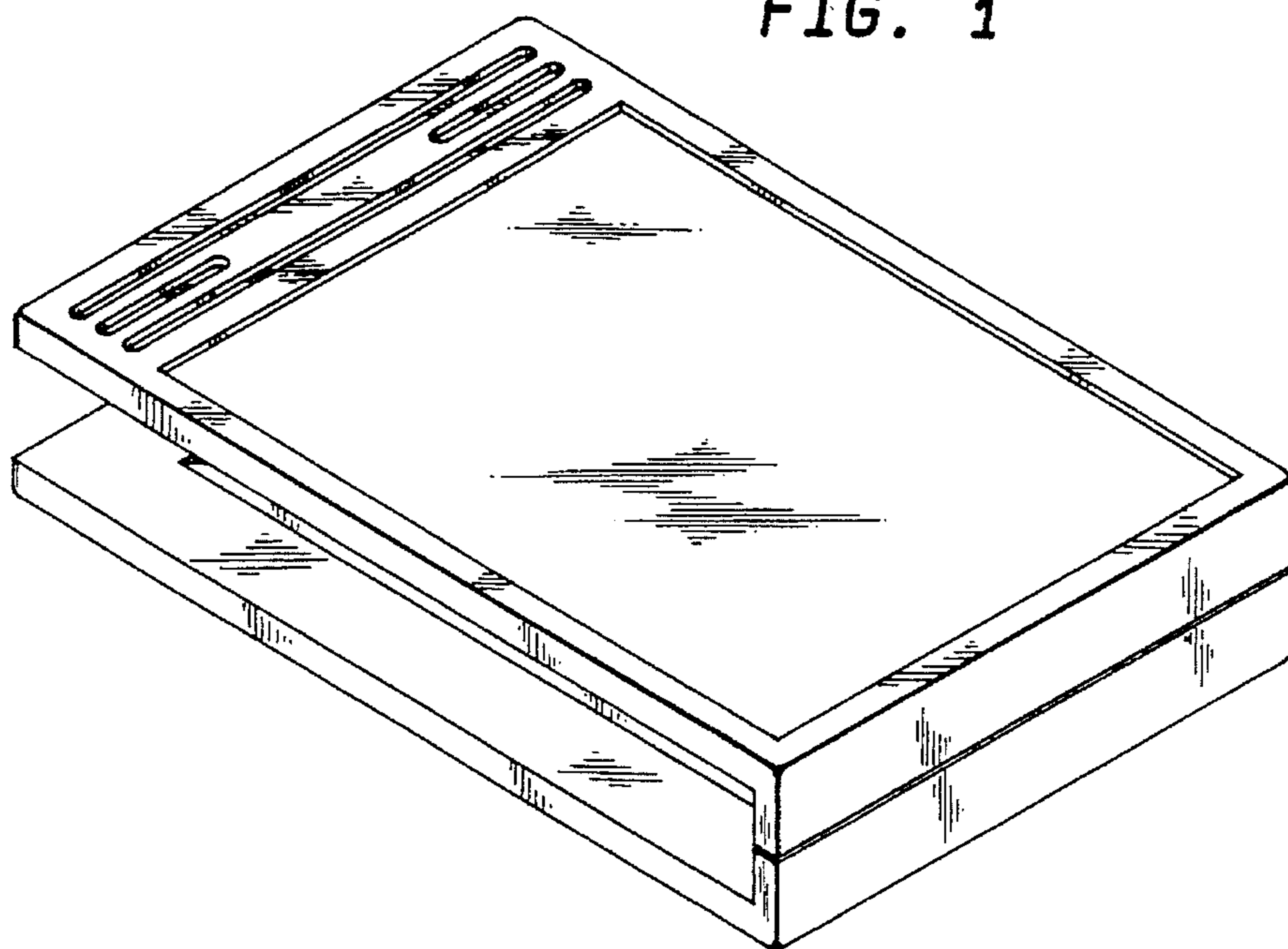


FIG. 2

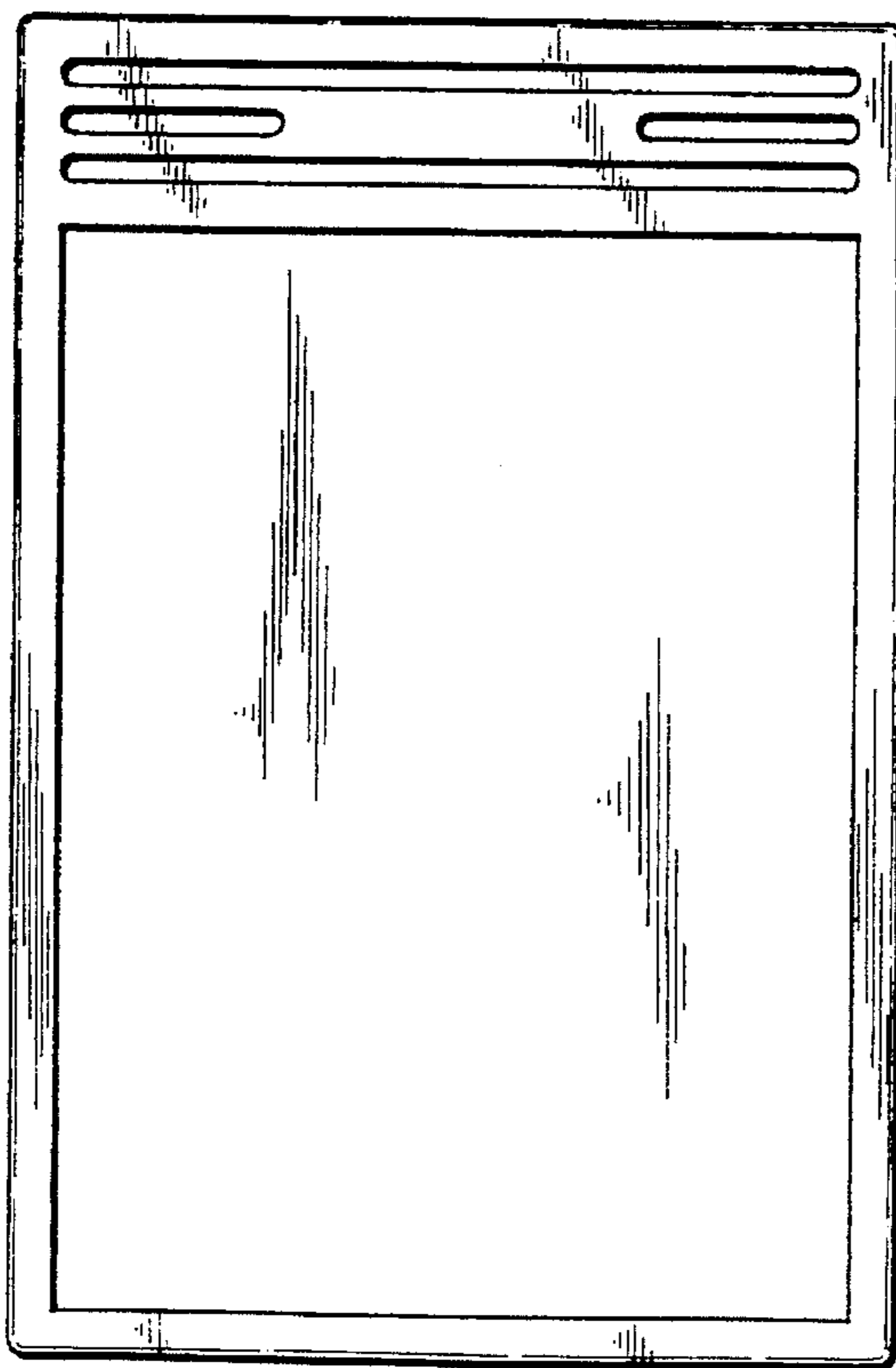


FIG. 3

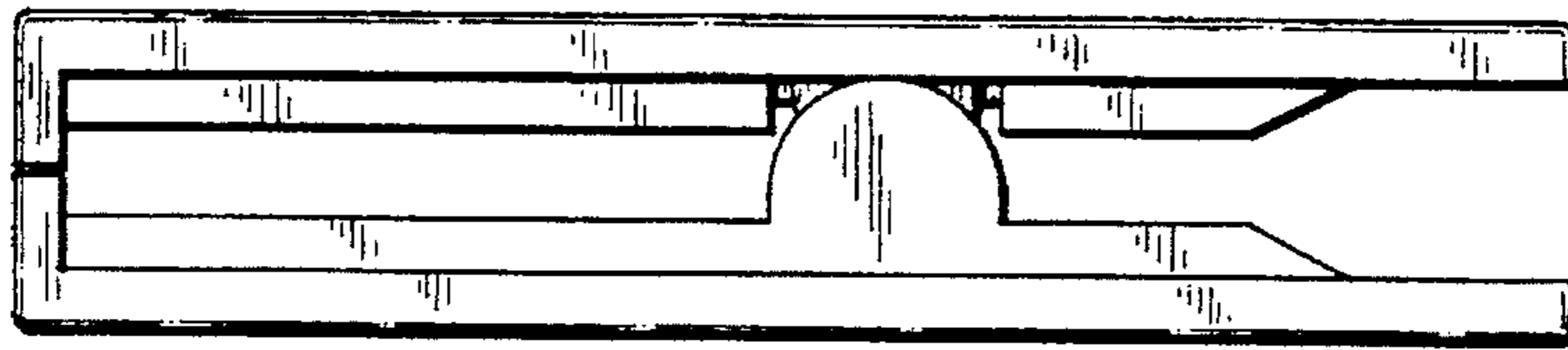


FIG. 4

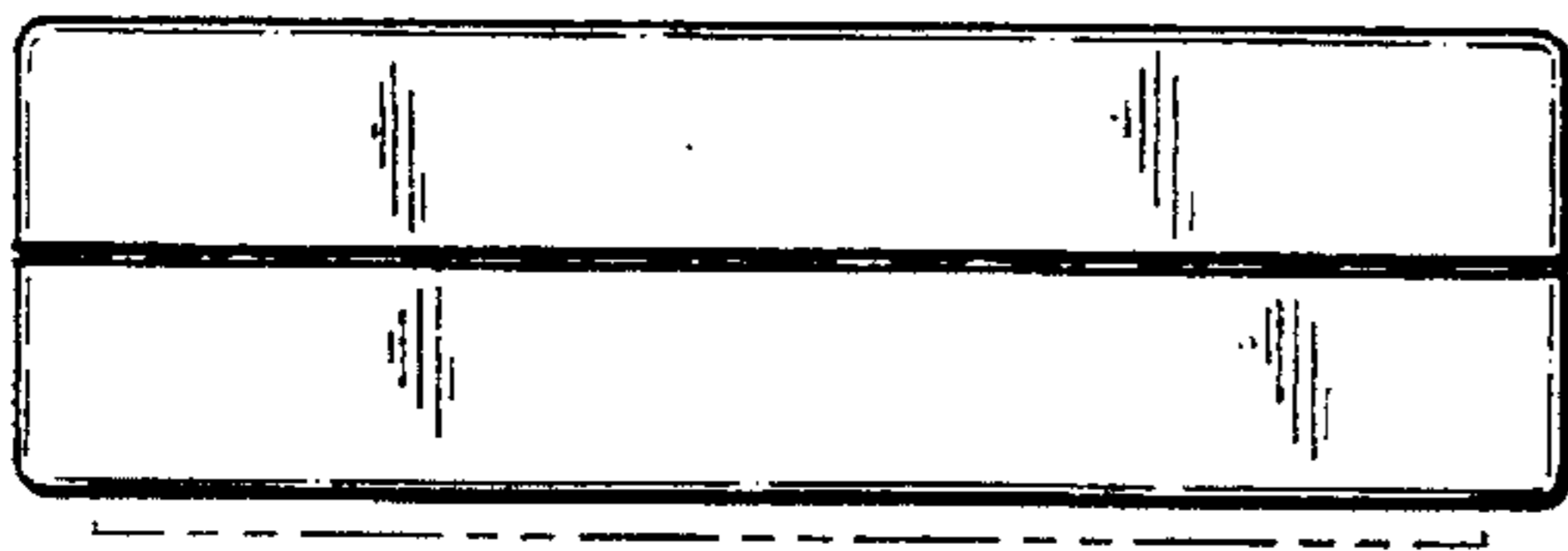


FIG. 5

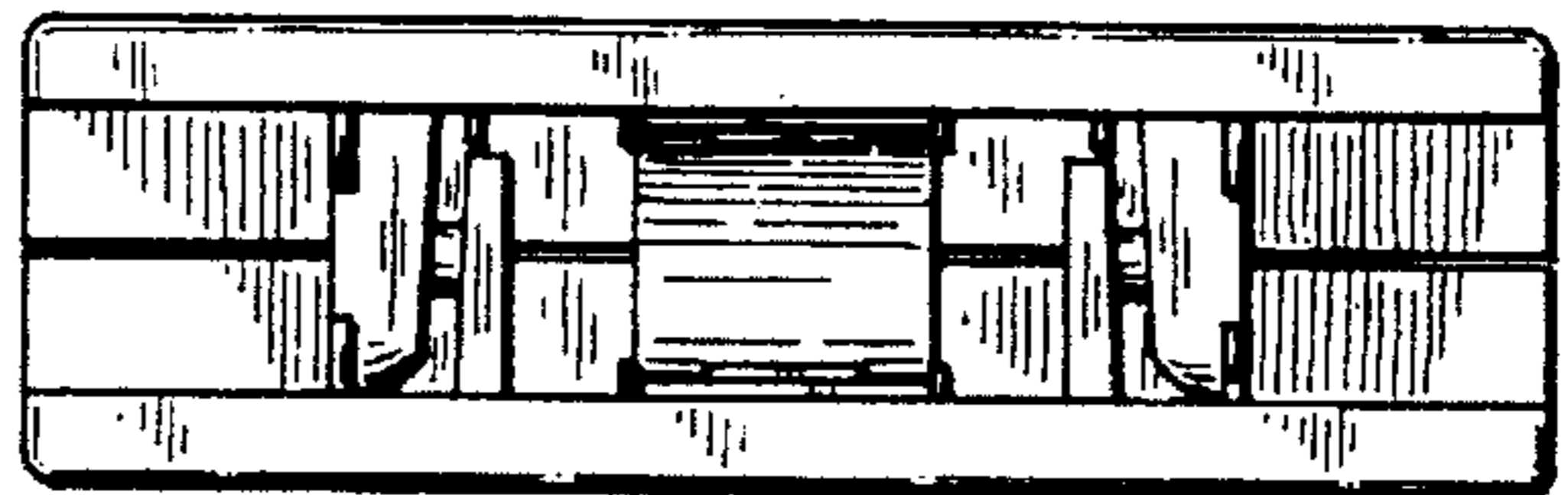


FIG. 6

