



US00D376532S

United States Patent [19]

Esslinger

[11] Patent Number: Des. 376,532

[45] Date of Patent: **Dec. 17, 1996

[54] KNOT JOINT CONNECTION FOR A SHELF

[75] Inventor: Hartmut Esslinger, Los Gatos, Calif.

[73] Assignee: Frogdesign GmbH, Altensteig, Germany

[**] Term: 14 Years

[21] Appl. No.: 37,732

[22] Filed: Apr. 19, 1995

[30] Foreign Application Priority Data

Oct. 19, 1994 [DE] Germany M 94 08 127.1

[52] U.S. Cl. D8/382

[58] Field of Search D8/382, 396; 403/169, 403/170, 217-219, 286, 150, 235

[56] References Cited

U.S. PATENT DOCUMENTS

D. 211,905	8/1968	Goodridge	D8/396
D. 355,589	2/1995	Kuwata	D8/382
D. 364,554	11/1995	Seo	D8/382
2,149,844	3/1939	George	403/169
4,065,220	12/1977	Ruga	403/169
5,421,666	6/1995	Spears	403/169 X

Primary Examiner—Terry A. Wallace
Attorney, Agent, or Firm—Horst M. Kasper

[57] CLAIM

The ornamental design for a knot joint connection for a shelf, as shown and described.

DESCRIPTION

FIG. 1 is a perspective view of a knot joint connection

showing my new design;

FIG. 2 is a front elevation view thereof;

FIG. 3 is a bottom plan view thereof;

FIG. 4 is a top plan view thereof;

FIG. 5 is a left side elevation view thereof;

FIG. 6 is a rear elevation view thereof;

FIG. 7 is a perspective view of an alternate embodiment of FIG. 1;

FIG. 8 is a rear elevation view of FIG. 7;

FIG. 9 is a left side elevation view of FIG. 7, the right side being identical;

FIG. 10 is a top plan view of FIG. 7;

FIG. 11 is a front elevation view of FIG. 7;

FIG. 12 is a bottom plan view of FIG. 7;

FIG. 13 is a perspective view of an alternate embodiment of FIG. 1;

FIG. 14 is a bottom plan view of FIG. 13;

FIG. 15 is a front elevation view of FIG. 13, the rear being identical;

FIG. 16 is a top plan view of FIG. 13, and,

FIG. 17 is a right side elevation view of FIG. 13, the left side being identical.

1 Claim, 6 Drawing Sheets

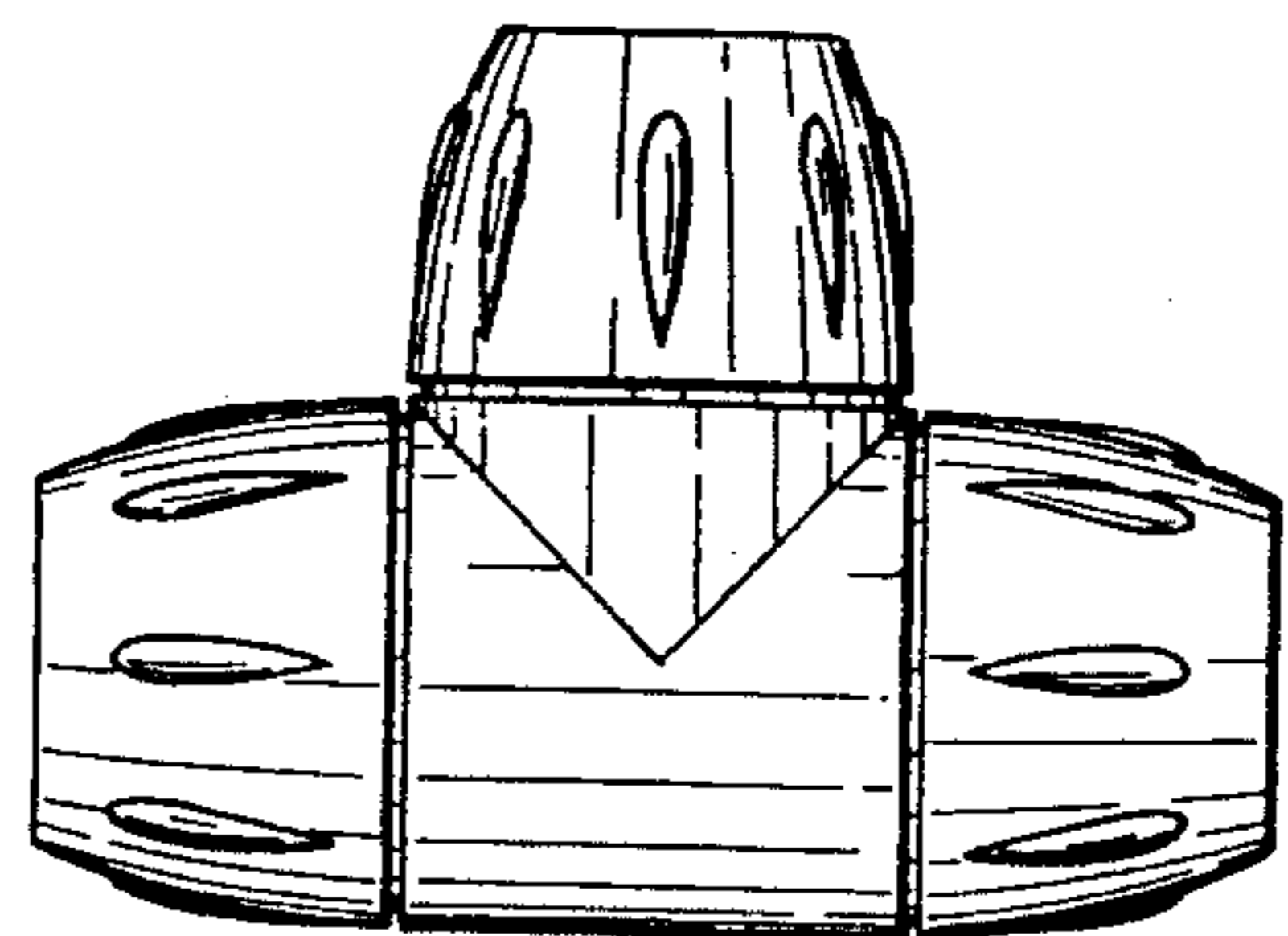
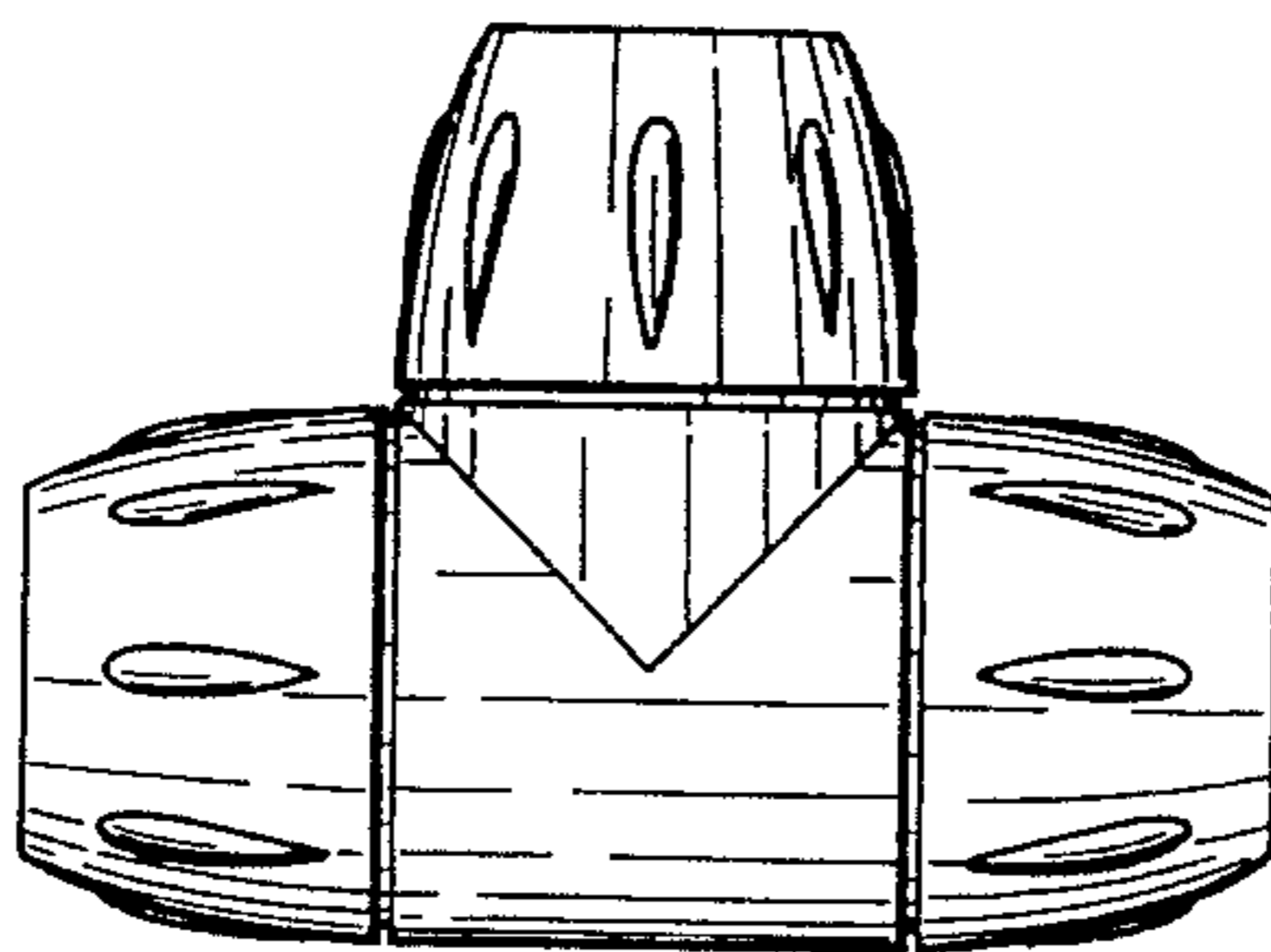
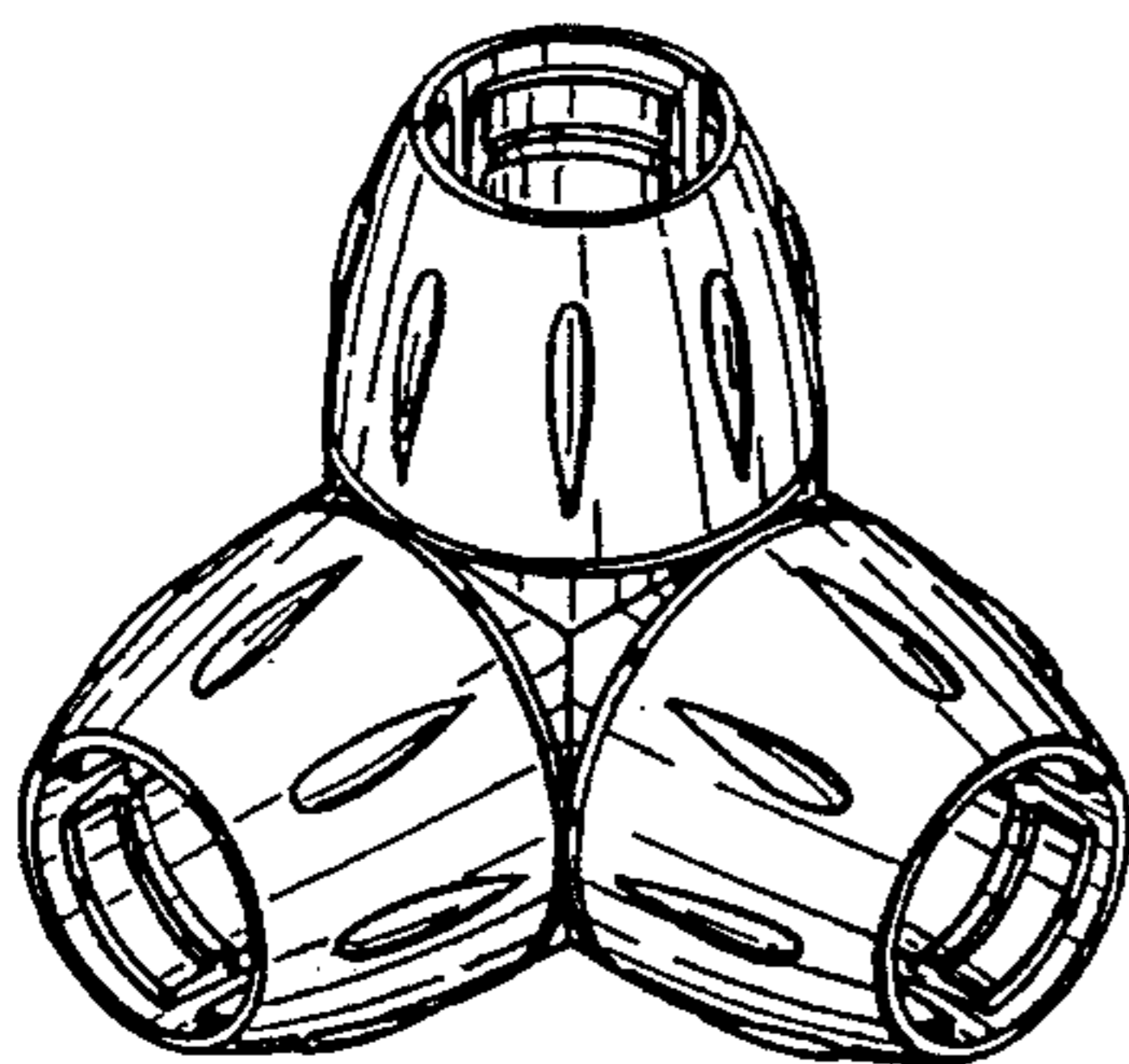


FIG. 1

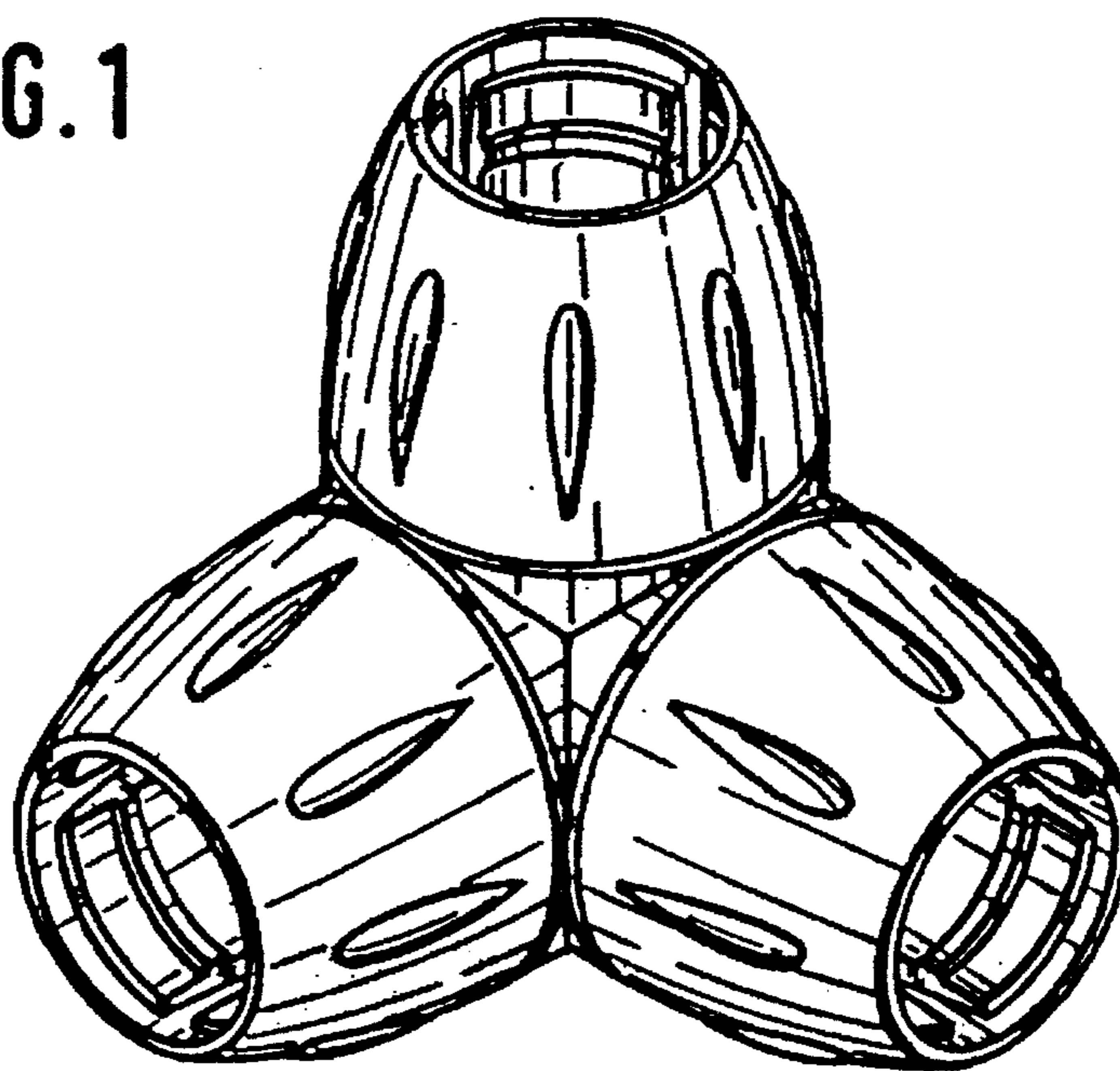
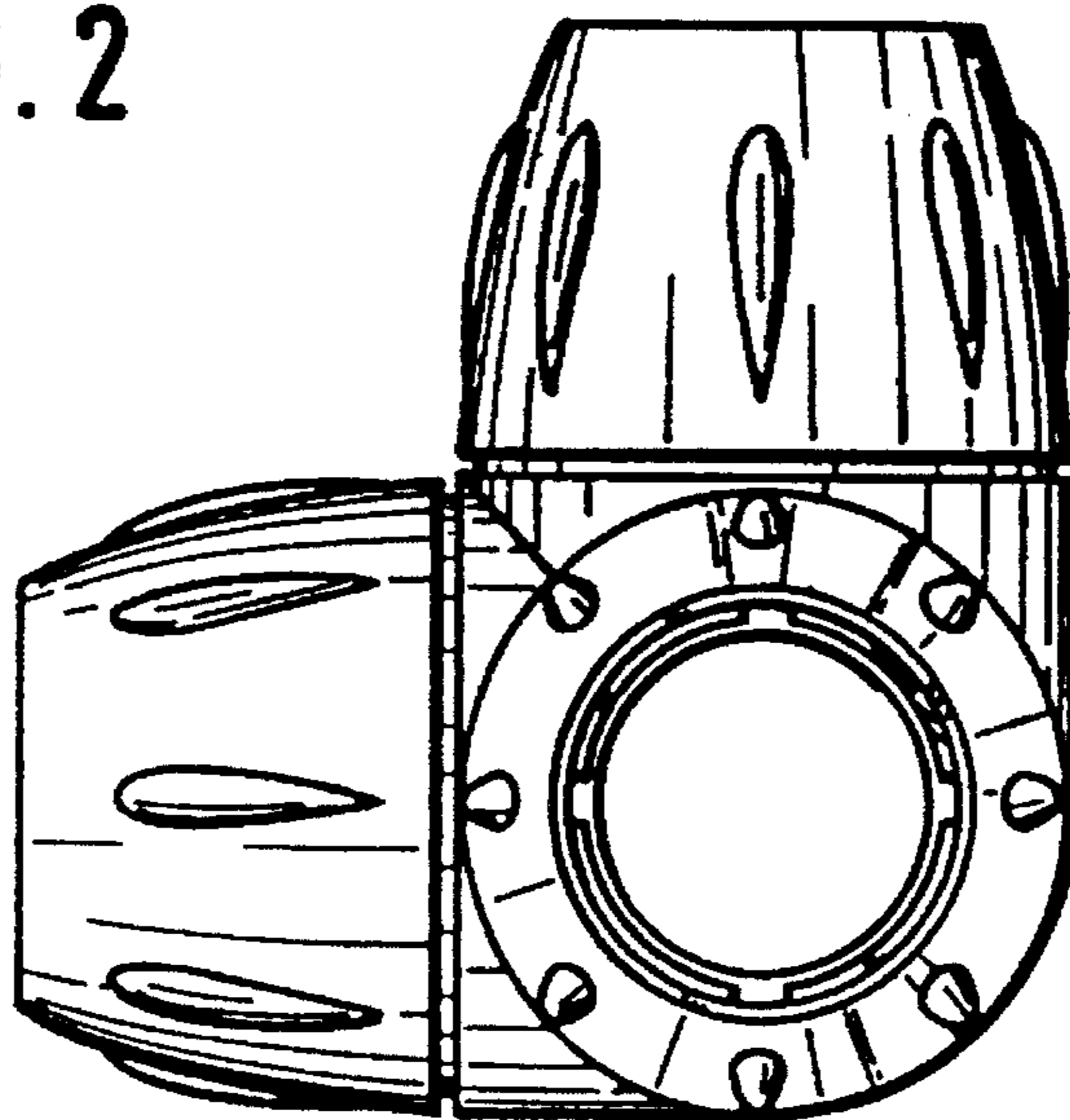


FIG. 2



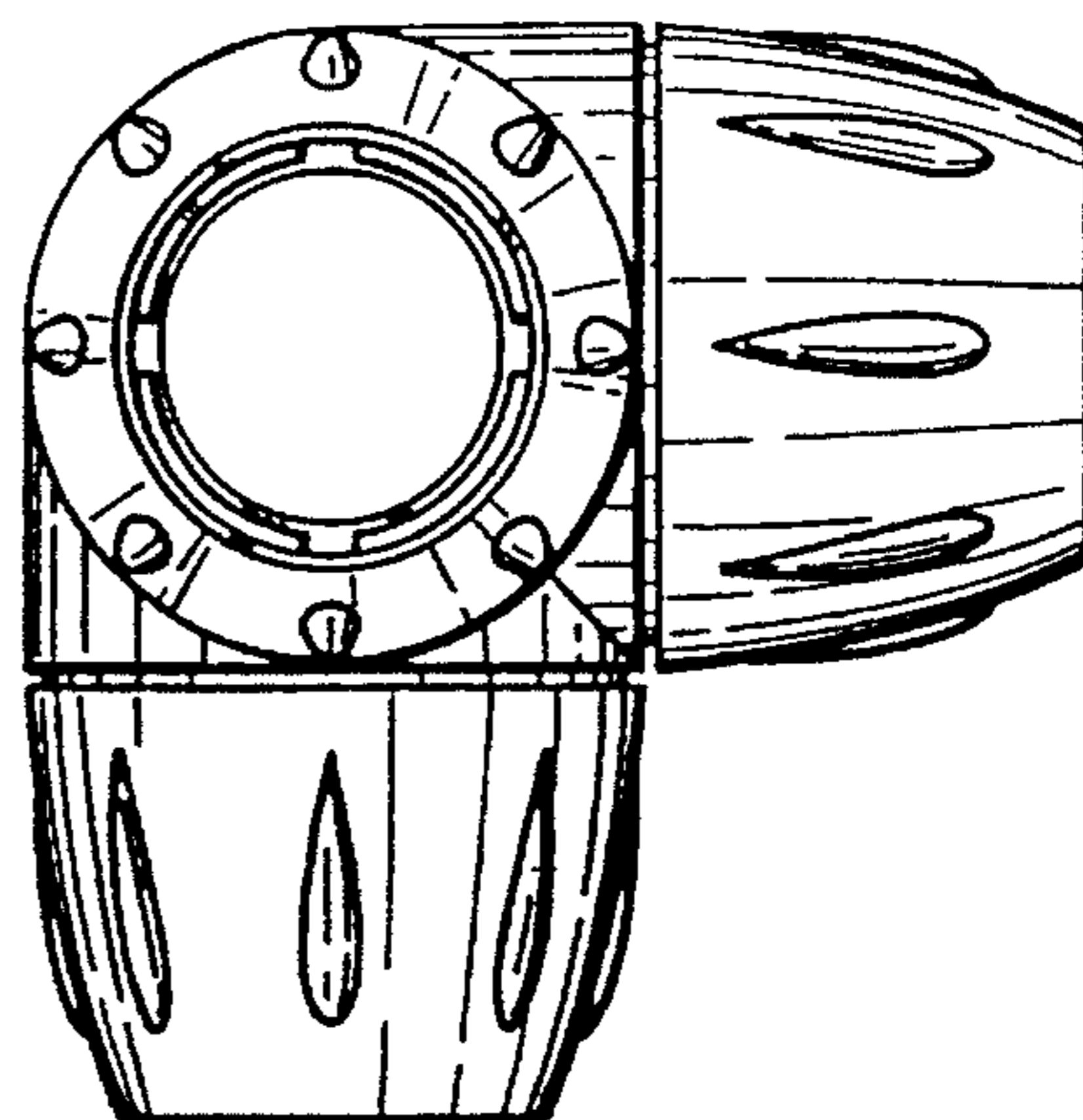


FIG. 4

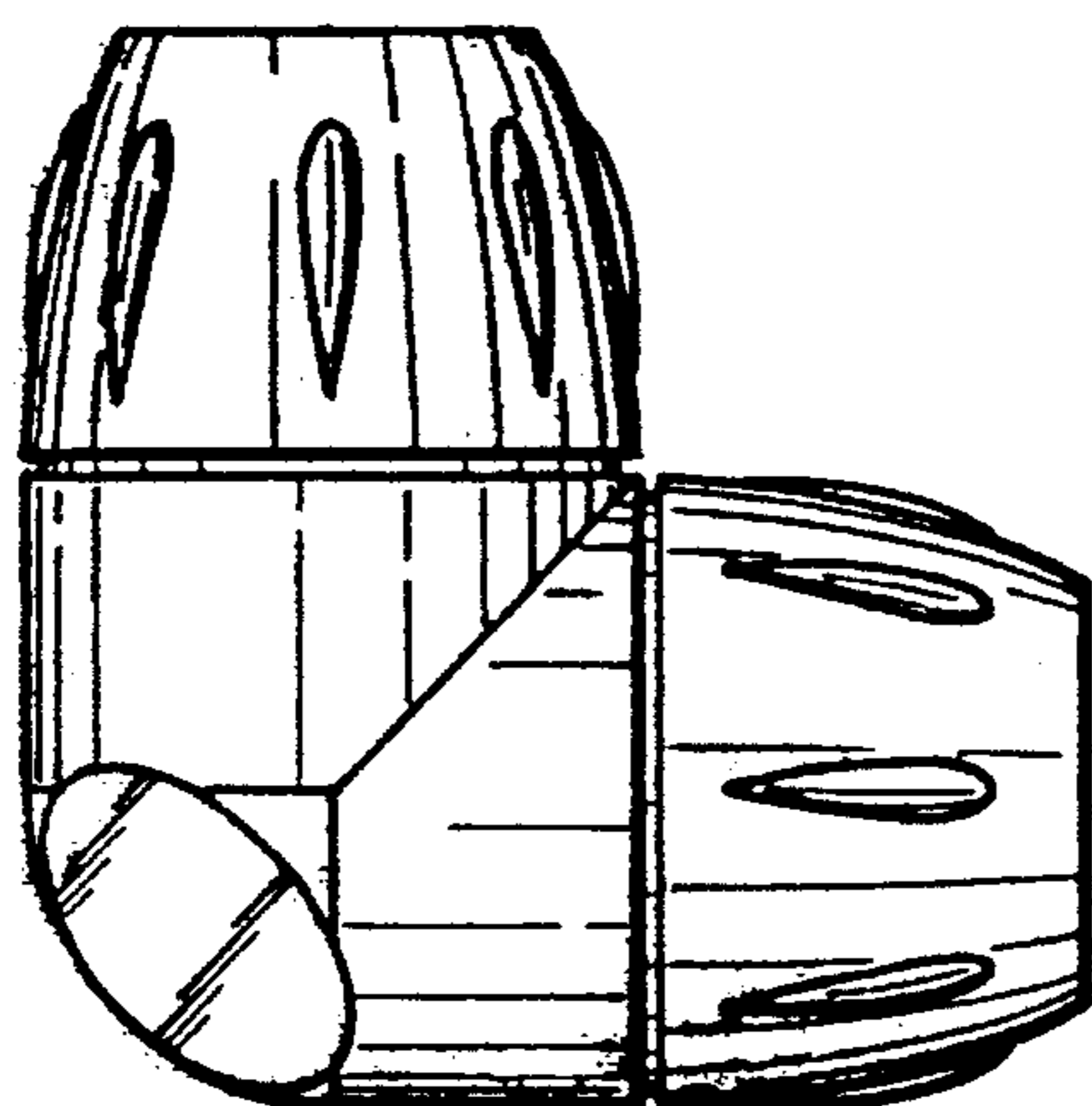


FIG. 3

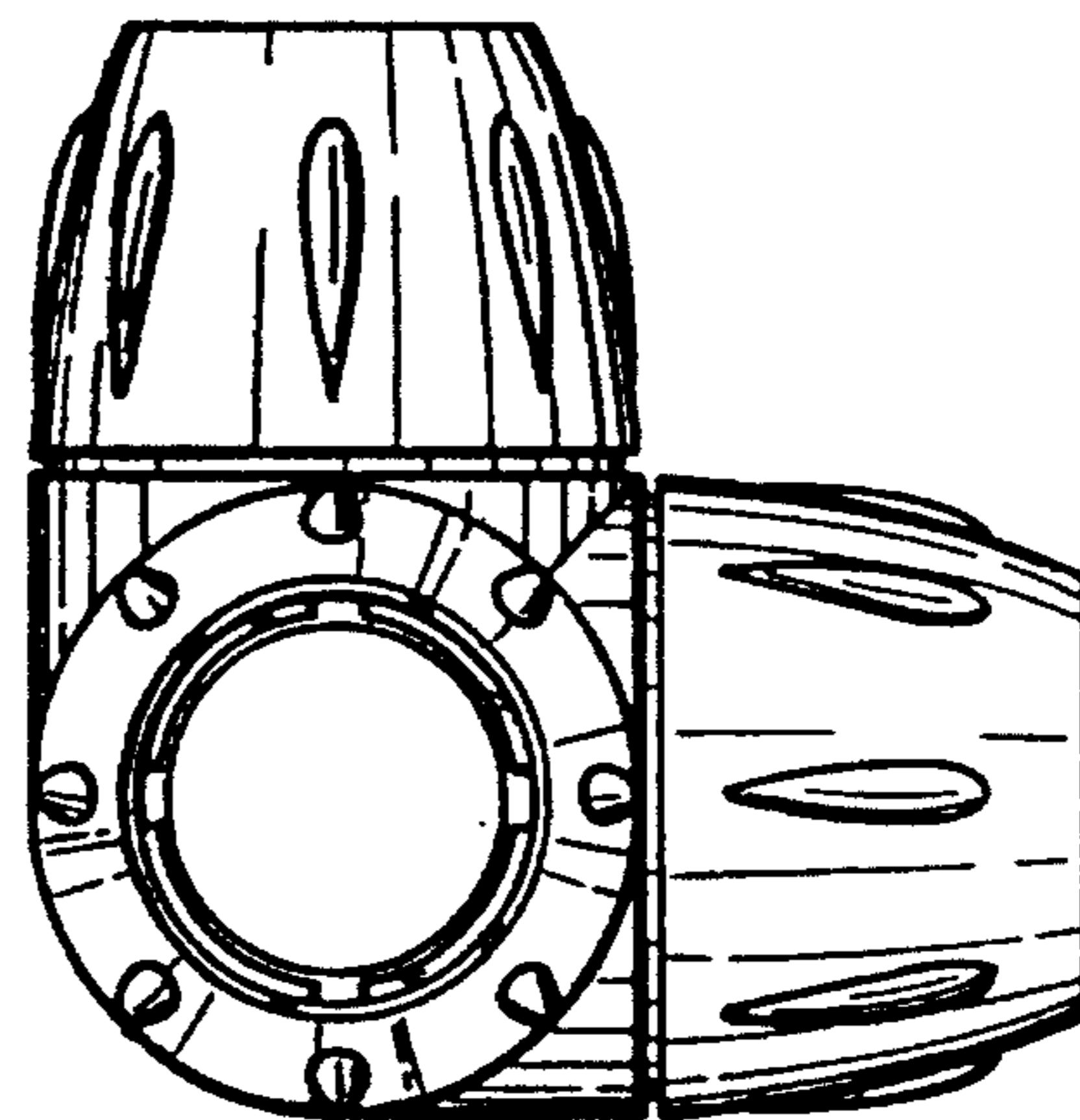


FIG. 5

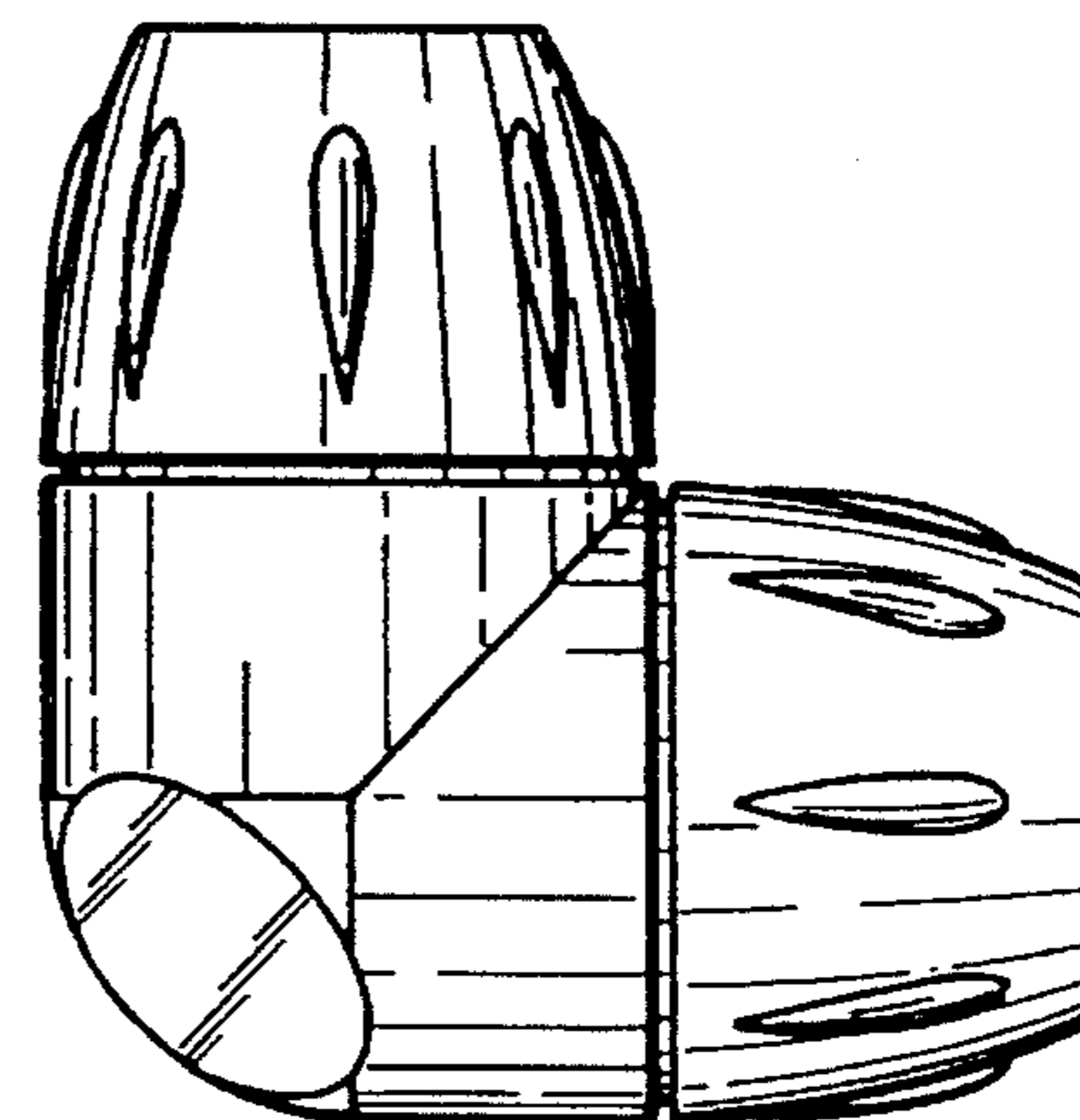


FIG. 6

FIG. 7

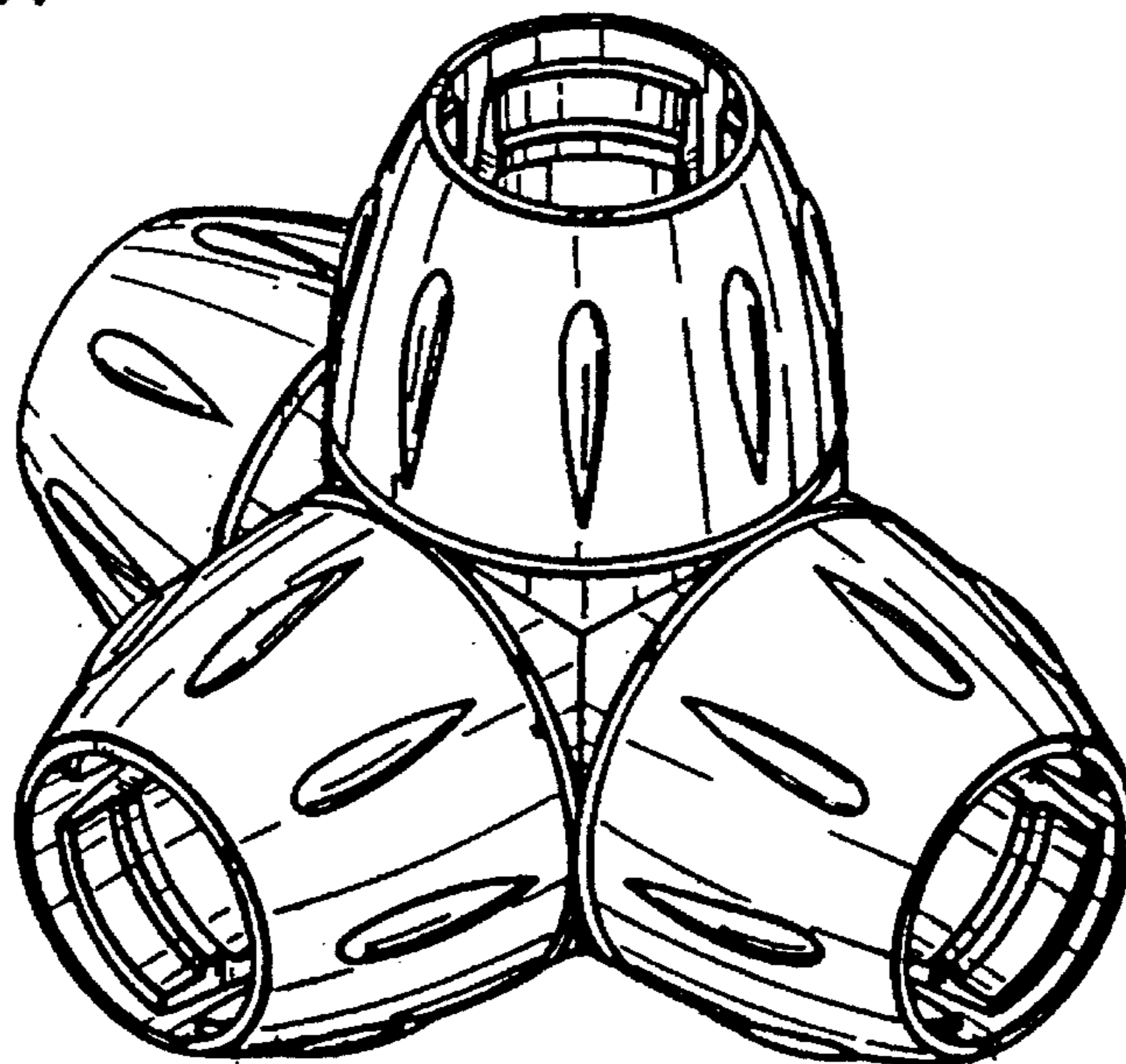
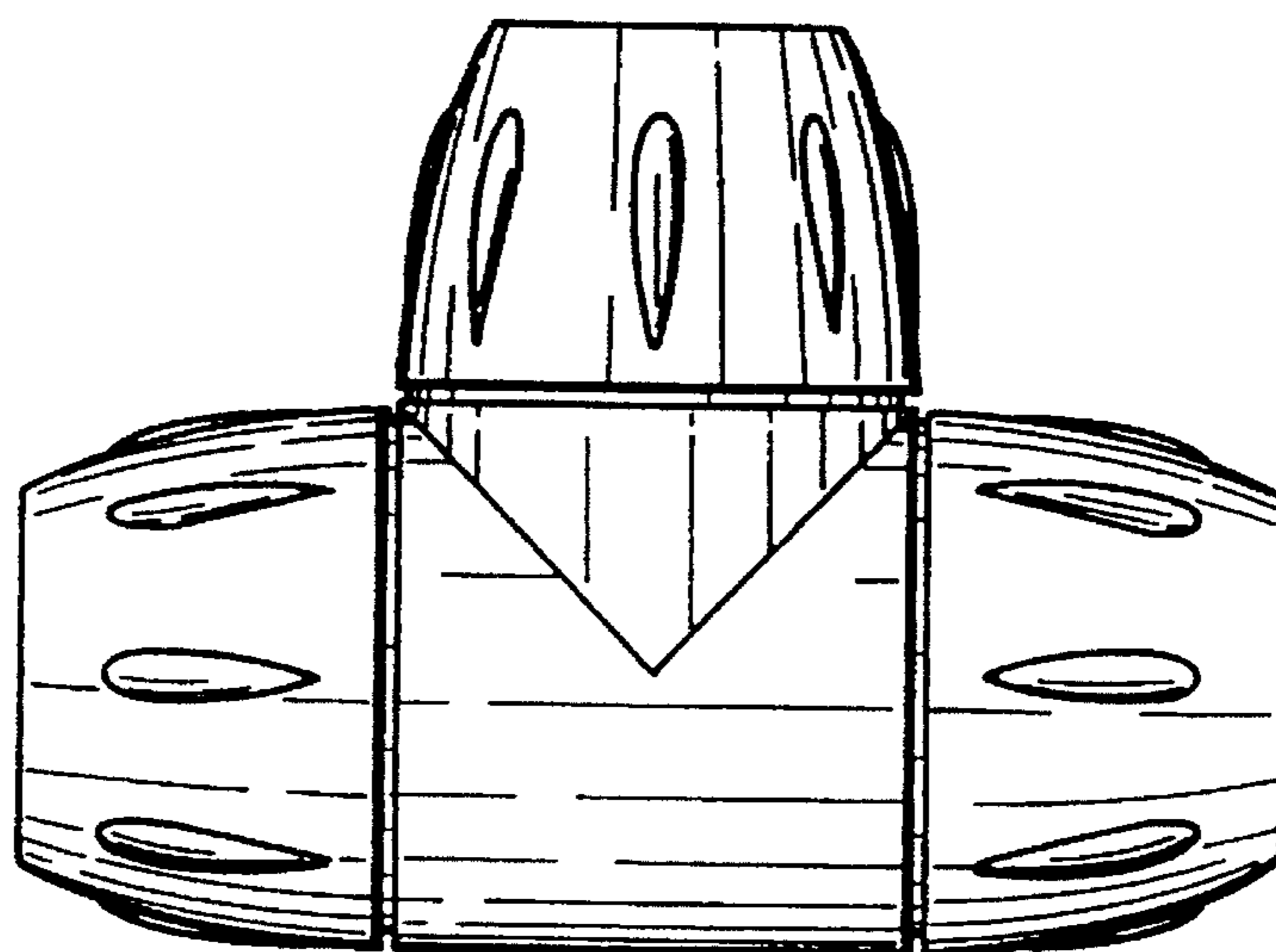


FIG. 8



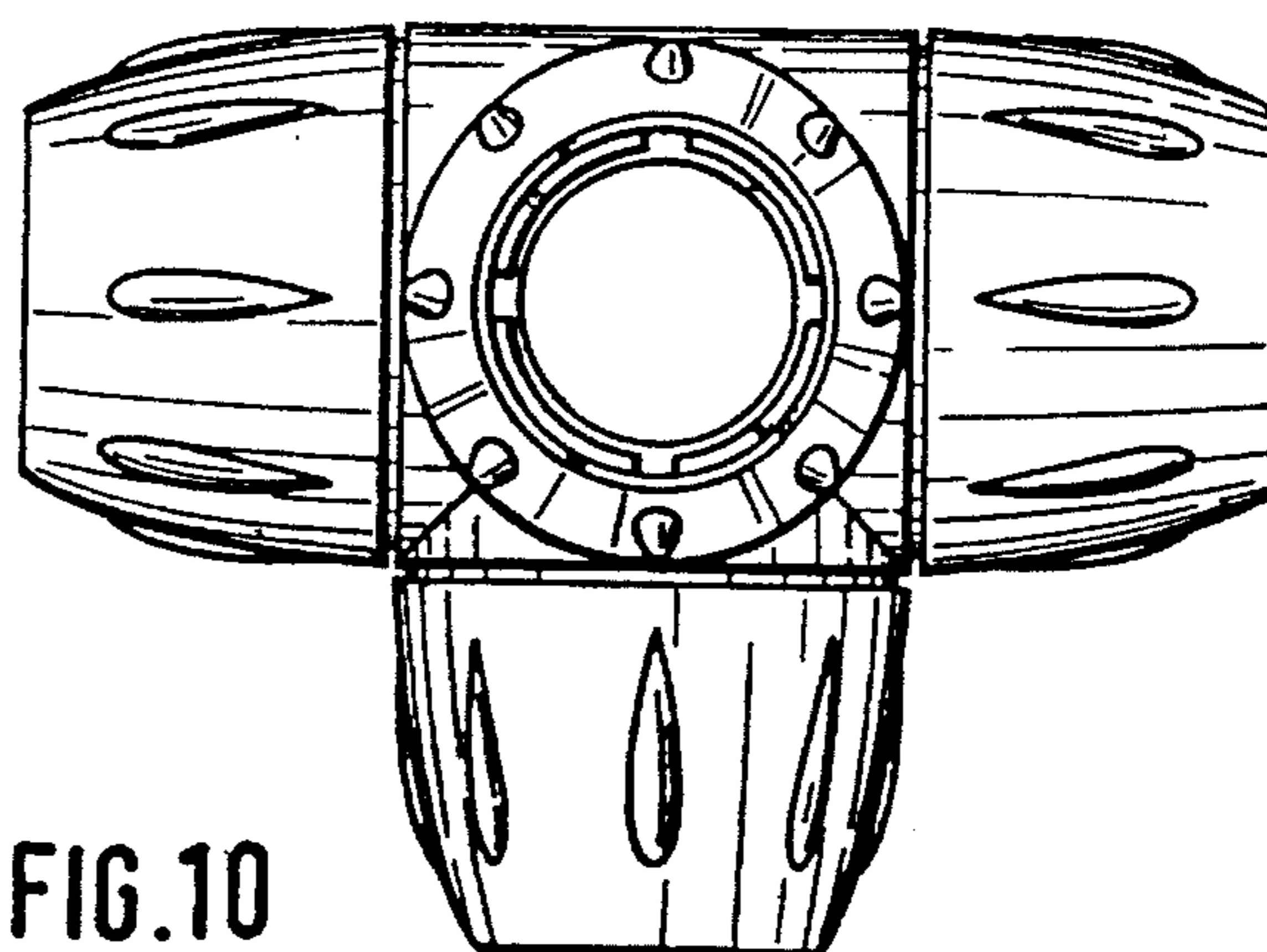


FIG. 10

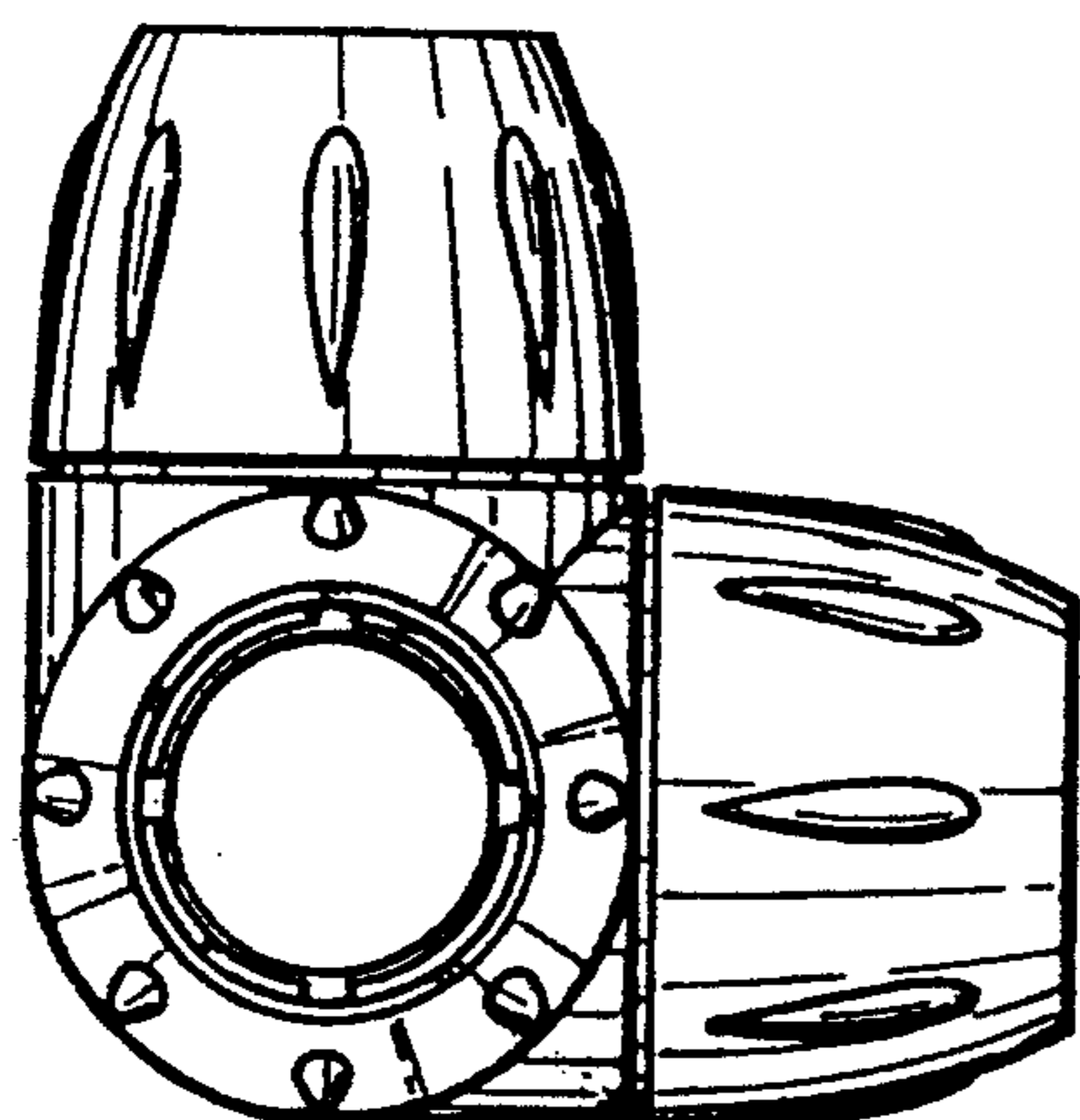


FIG. 9

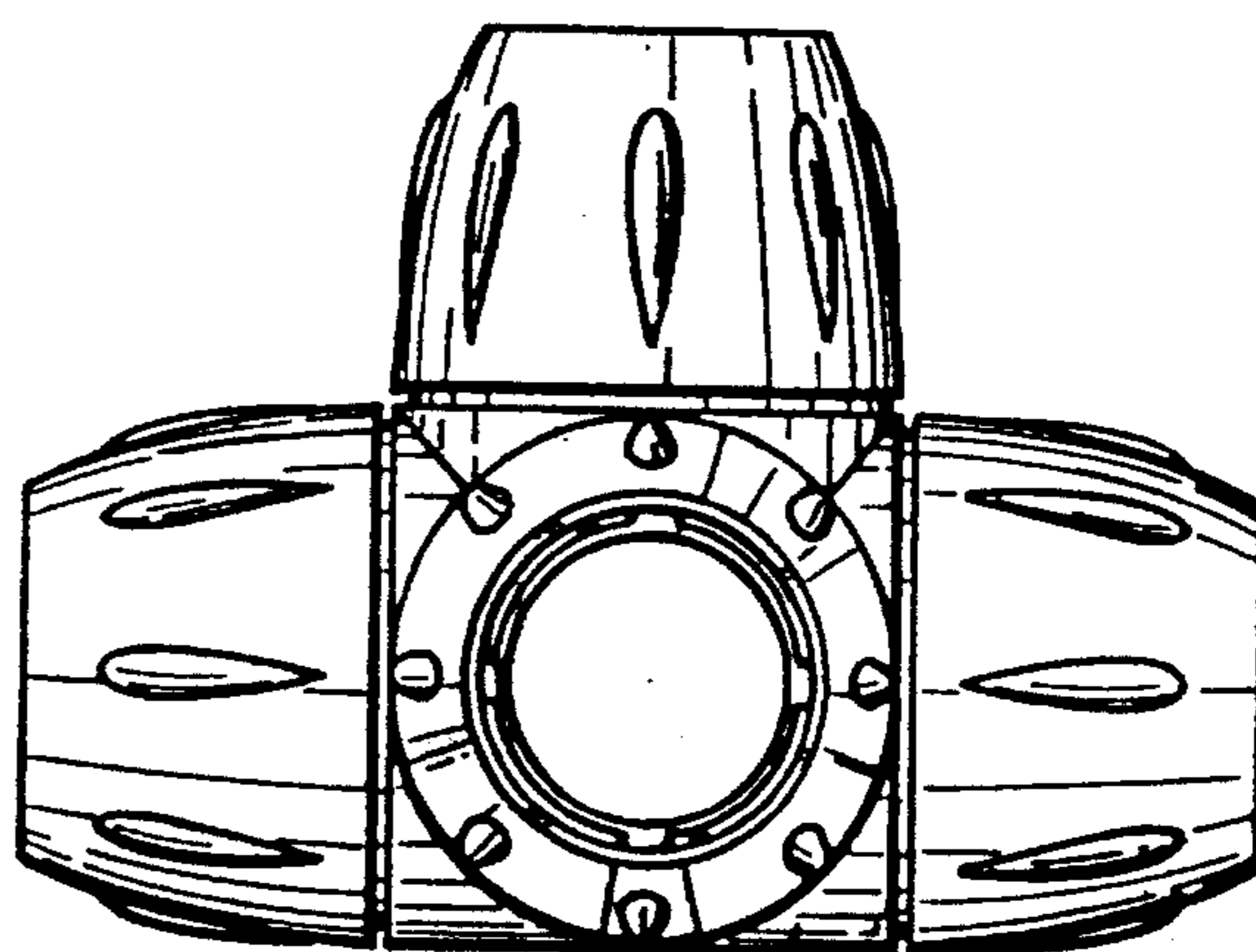


FIG. 11

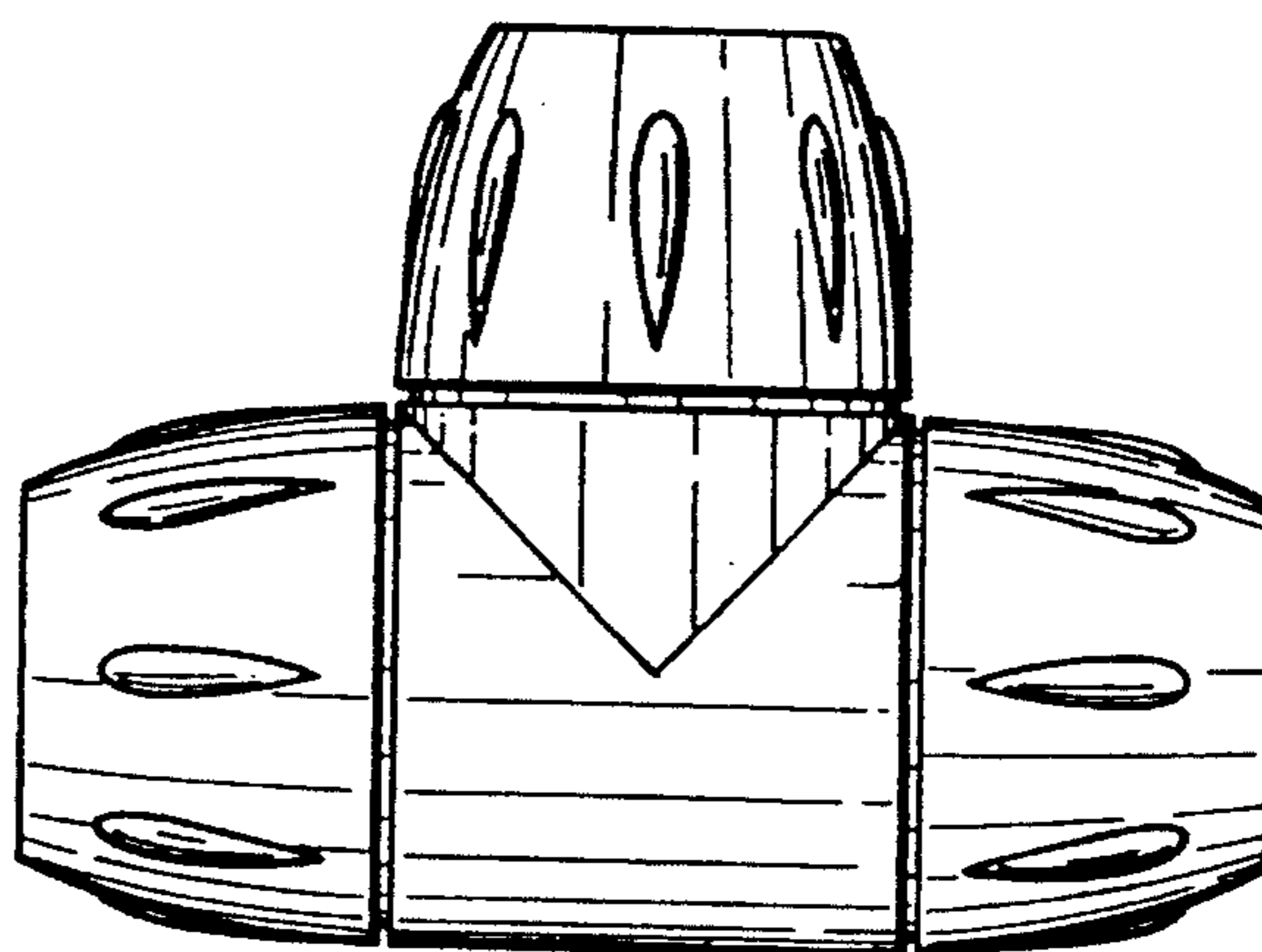


FIG. 12

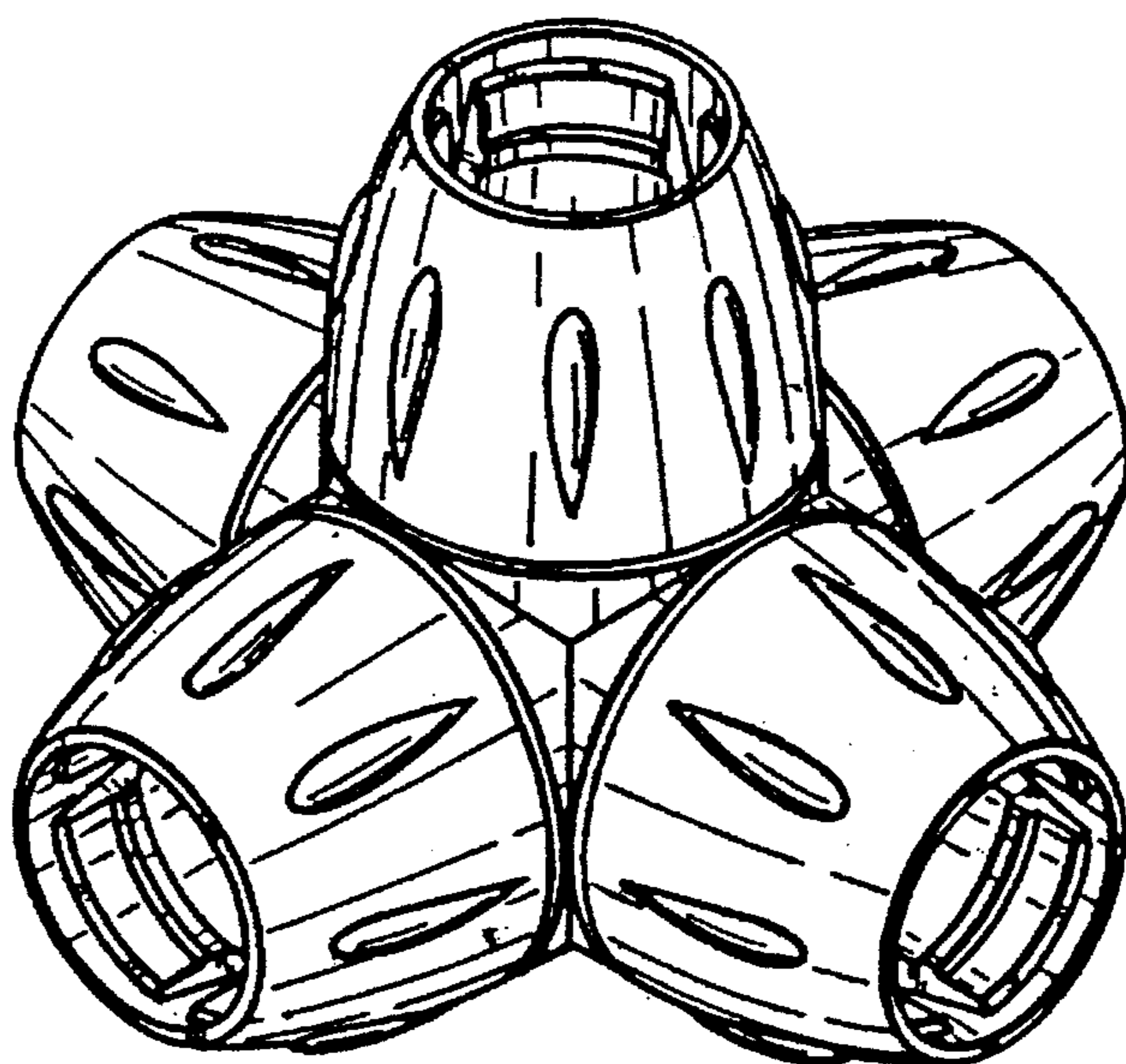


FIG. 13

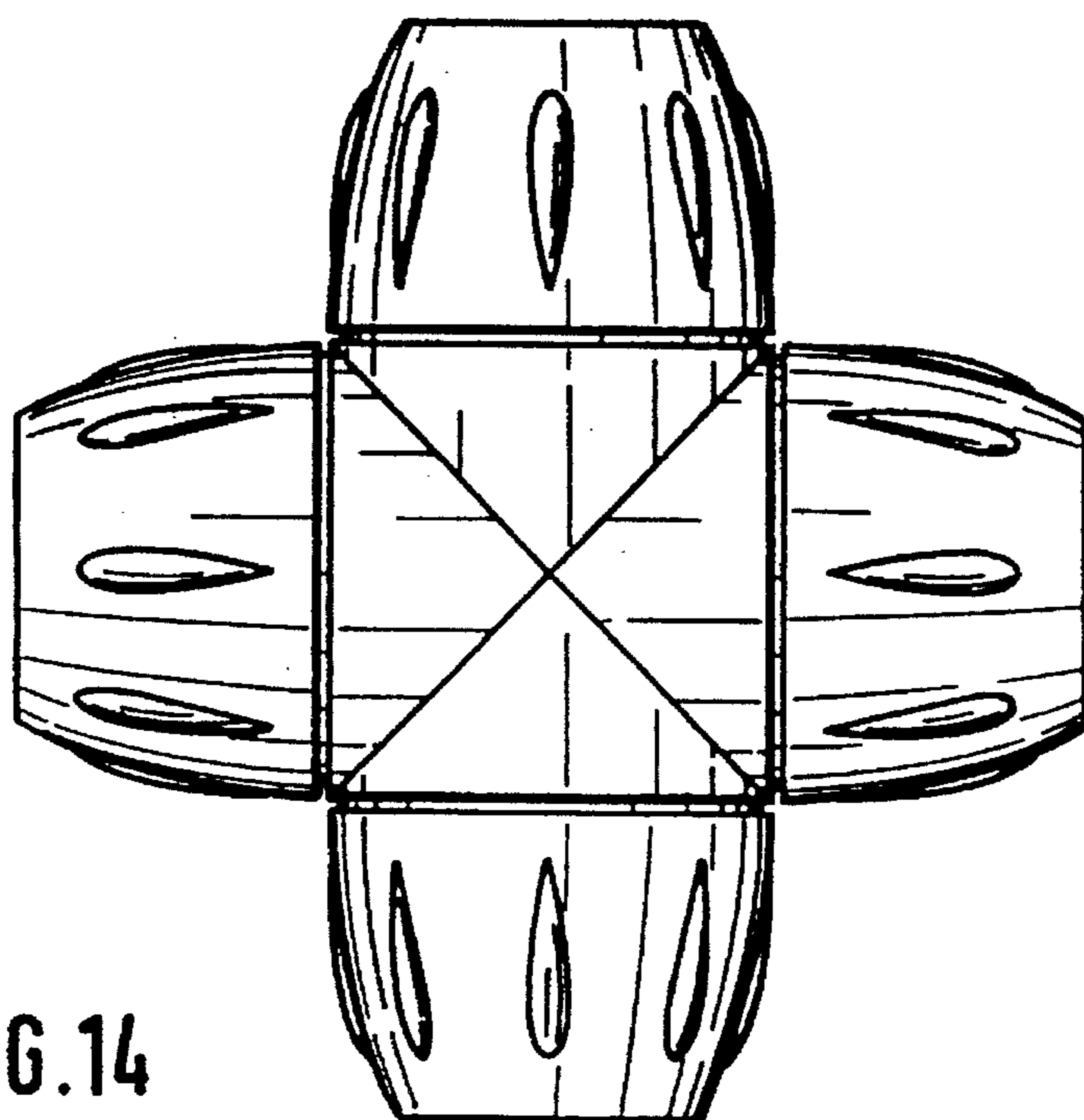


FIG. 14

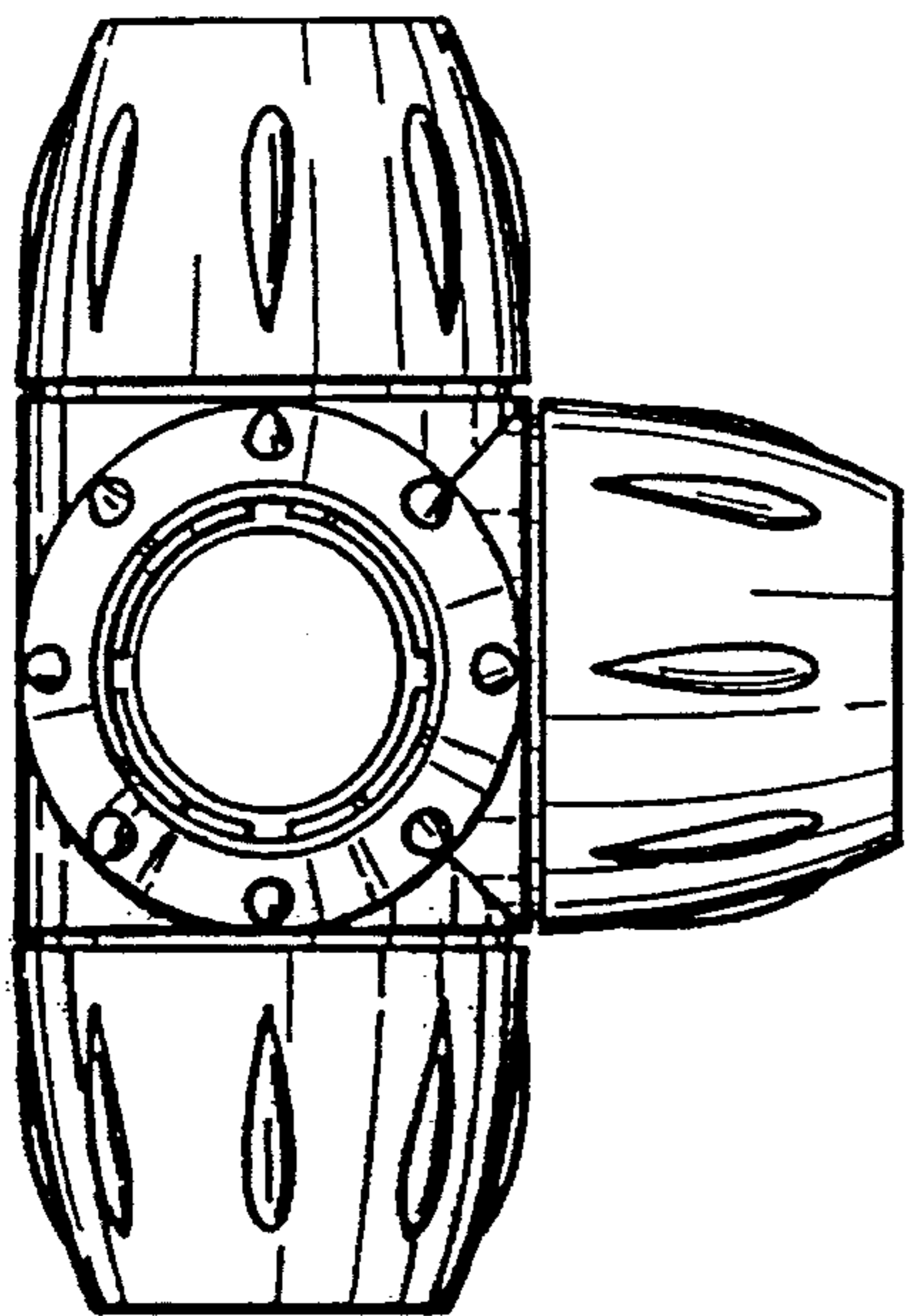


FIG. 15

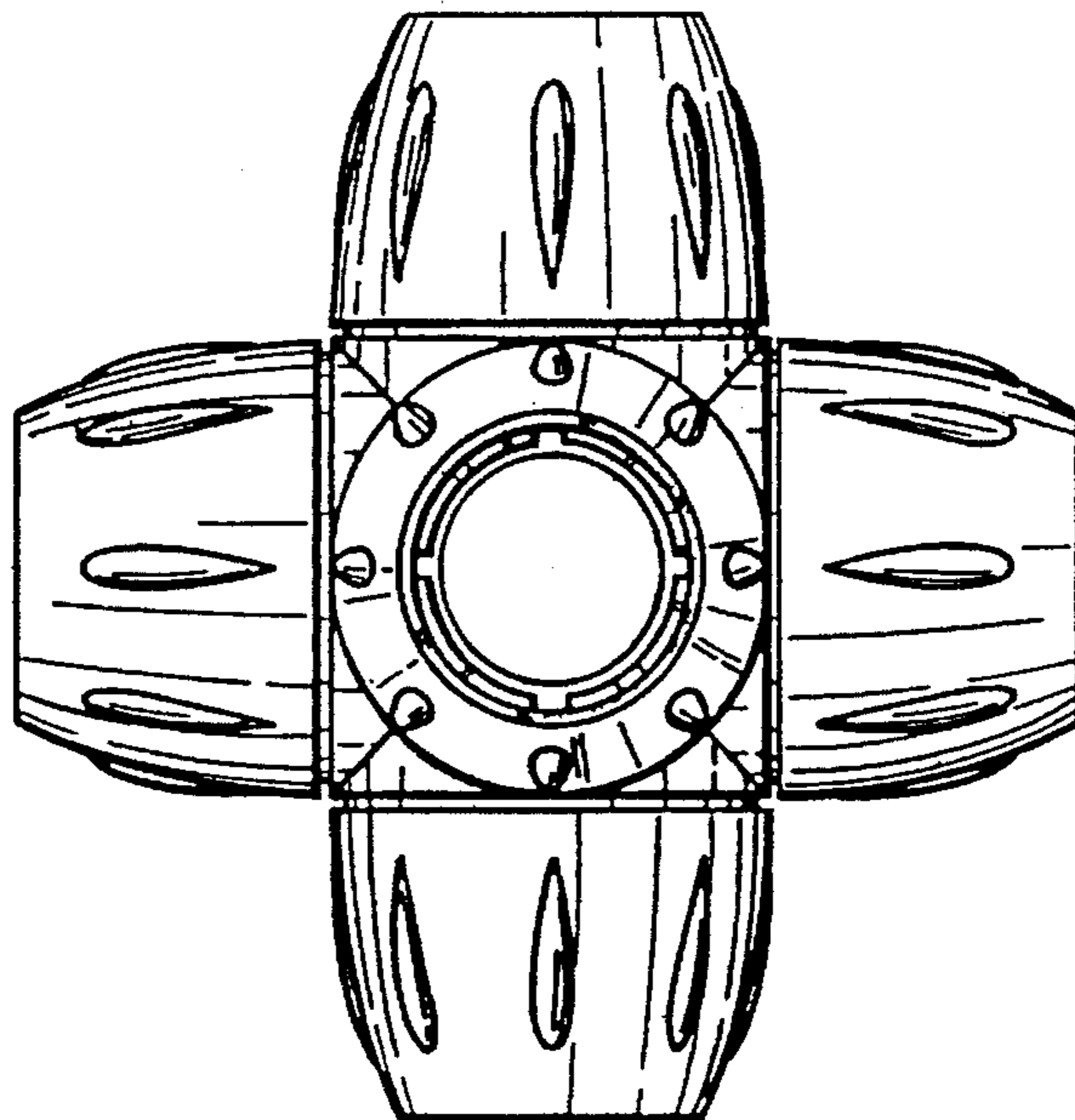


FIG. 16

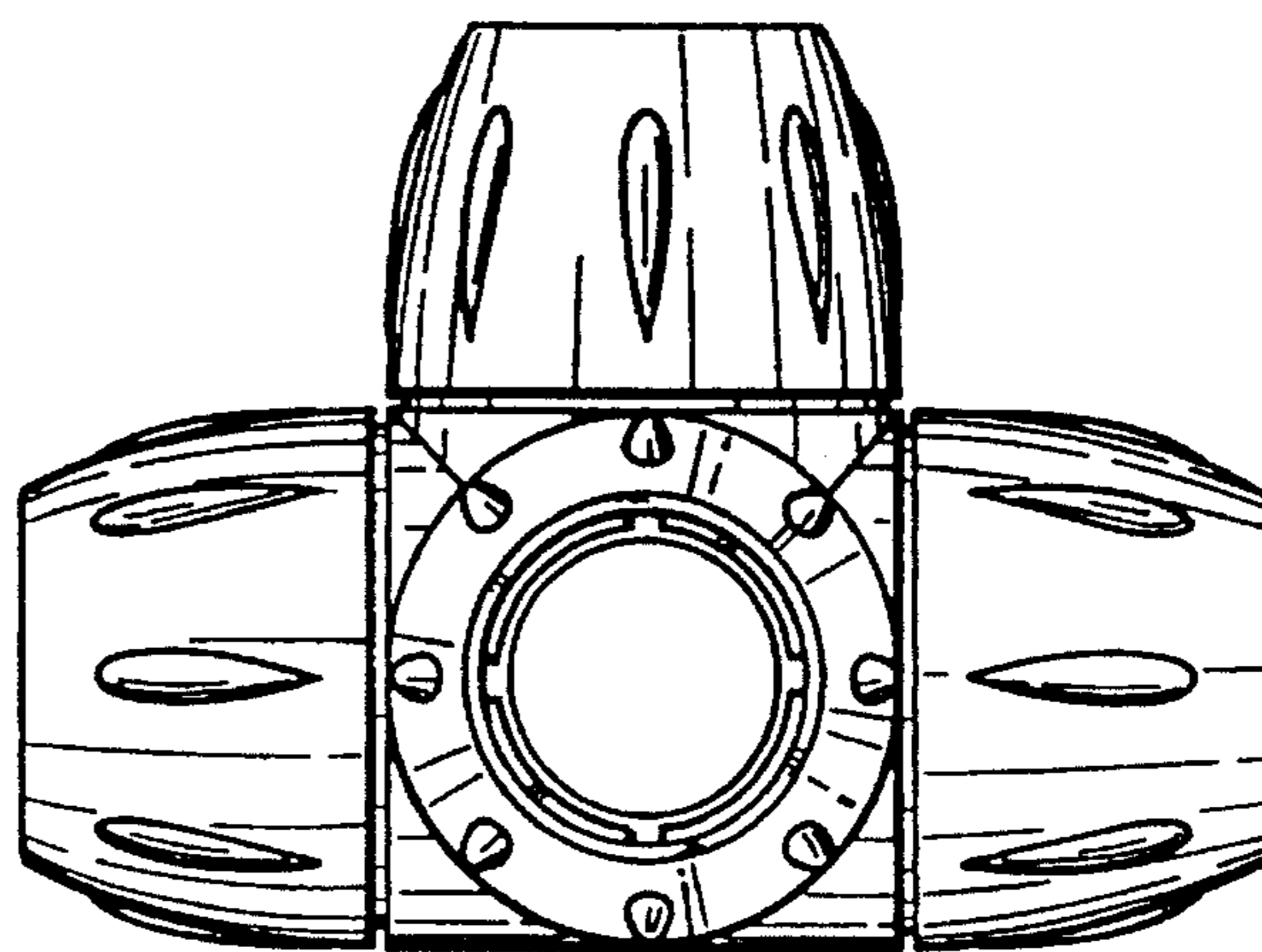


FIG. 17