



US00D376530S

United States Patent [19]

Hawthorne

[11] Patent Number: Des. 376,530

[45] Date of Patent: **Dec. 17, 1996

[54] CORD ORGANIZER

[76] Inventor: **David Hawthorne**, 6409 Hartford, Detroit, Mich. 48210

[**] Term: **14 Years**

[21] Appl. No.: **28,534**

[22] Filed: **Sep. 16, 1994**

[52] U.S. Cl. **D8/358**

[58] Field of Search D8/356, 358-359; 248/51, 405.1; 206/225, 331-332; D3/20, 23-25

[56] References Cited

U.S. PATENT DOCUMENTS

D. 204,620	5/1966	MacRobbie et al.	D8/356
D. 311,812	11/1990	Lord	D3/23
3,442,565	5/1969	Boyce	248/51 X
4,858,846	8/1989	McDonald	242/405.1

Primary Examiner—Holly H. Baynham
Attorney, Agent, or Firm—Donald P. Gillette

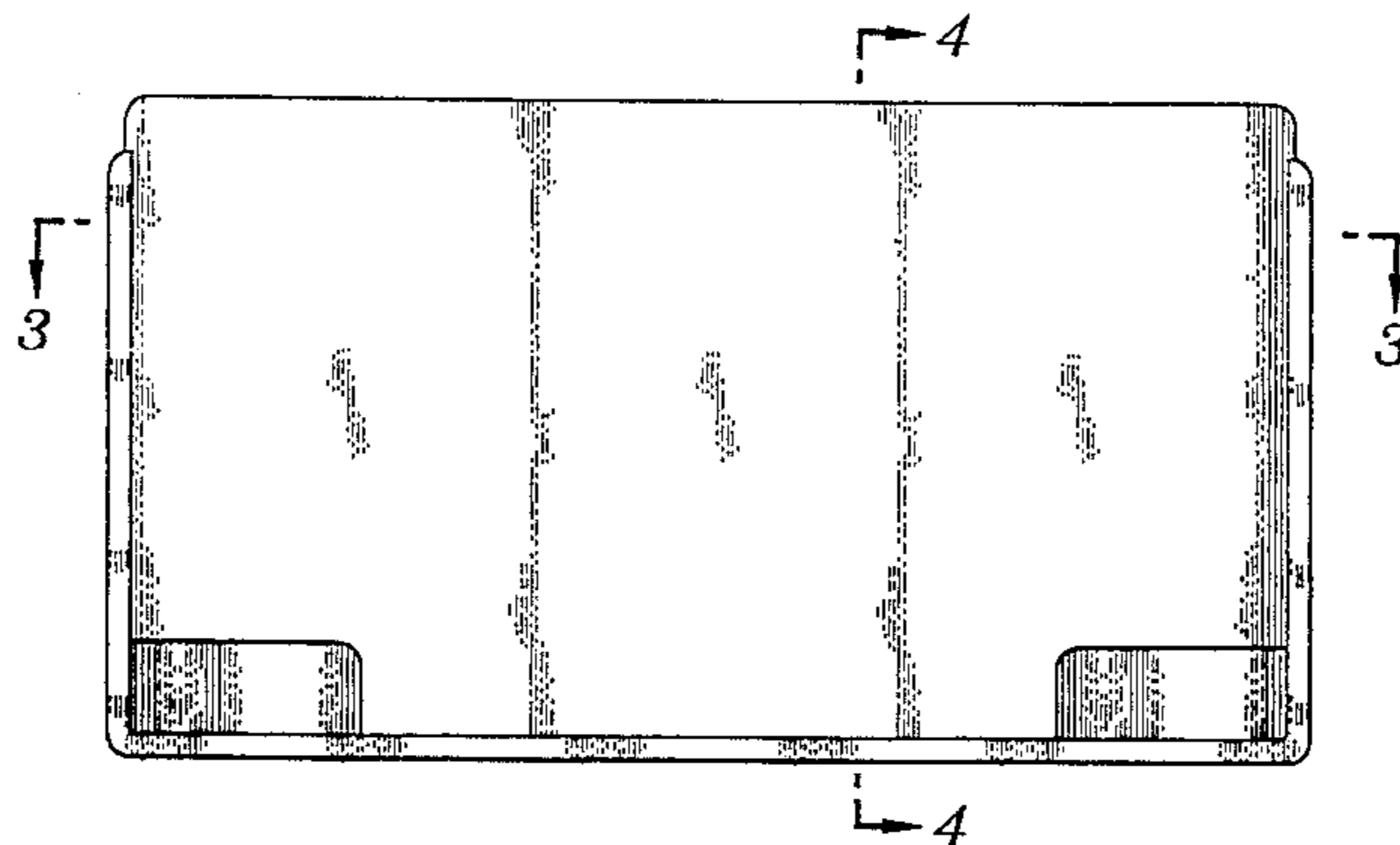
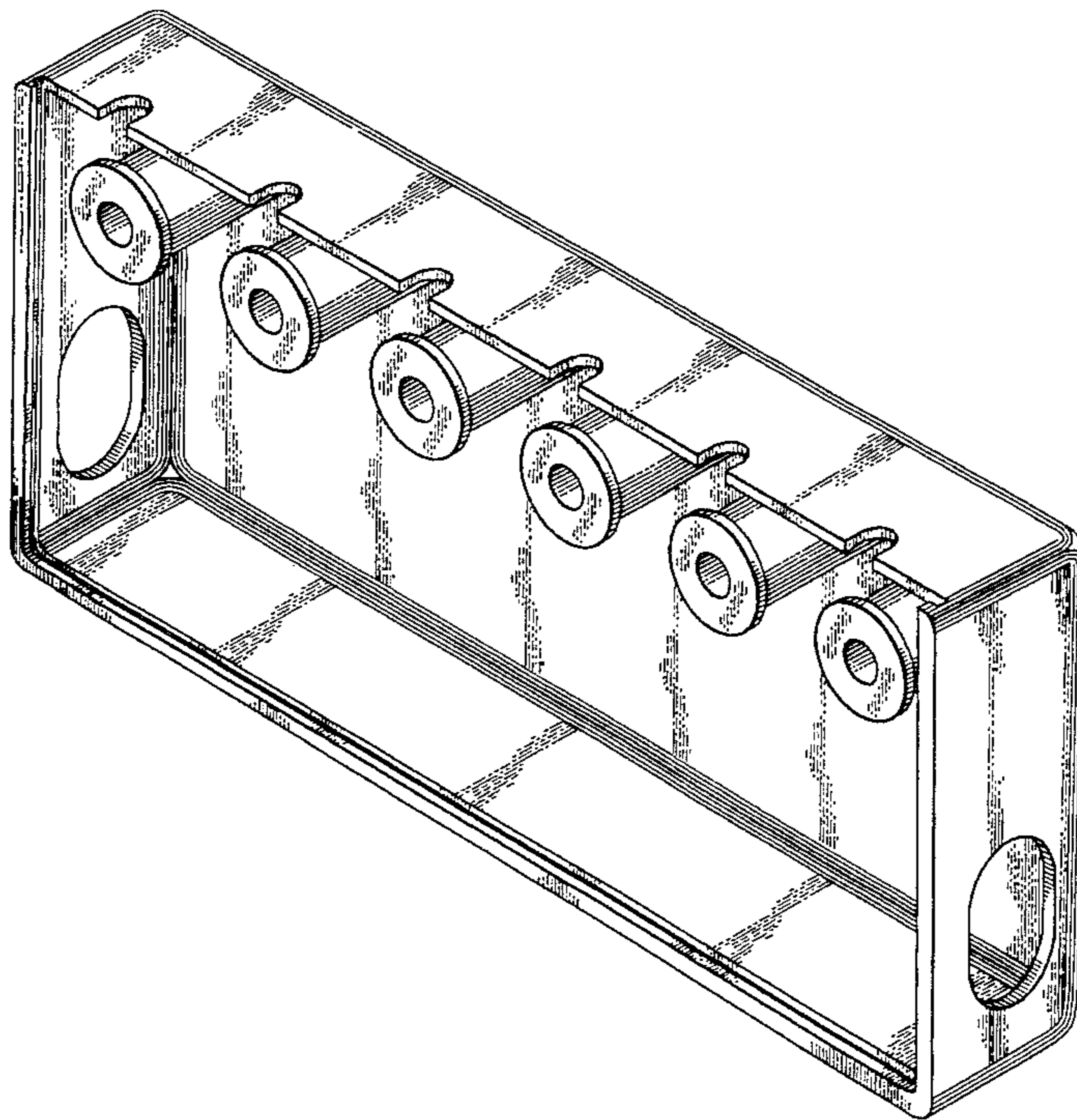
[57] CLAIM

The ornamental design for a cord organizer, as shown and described.

DESCRIPTION

FIG. 1 is a perspective view of a cord organizer according to my new design with the cover removed;
 FIG. 2 is a front elevational view of the cord organizer of my new design;
 FIG. 3 is a cross elevational view taken along line 3—3 of FIG. 7;
 FIG. 4 is a cross elevational view taken along line 4—4 of FIG. 7;
 FIG. 5 is a side elevational view of the cord organizer from the left side with the cover attached;
 FIG. 6 is a side elevational view of the cord organizer from the right side with the cover attached;
 FIG. 7 is a front elevational view of the cord organizer with the cover attached;
 FIG. 8 is a top plan view of the cord organizer with the cover attached; and,
 FIG. 9 is a bottom plan view of the cord organizer.

1 Claim, 3 Drawing Sheets



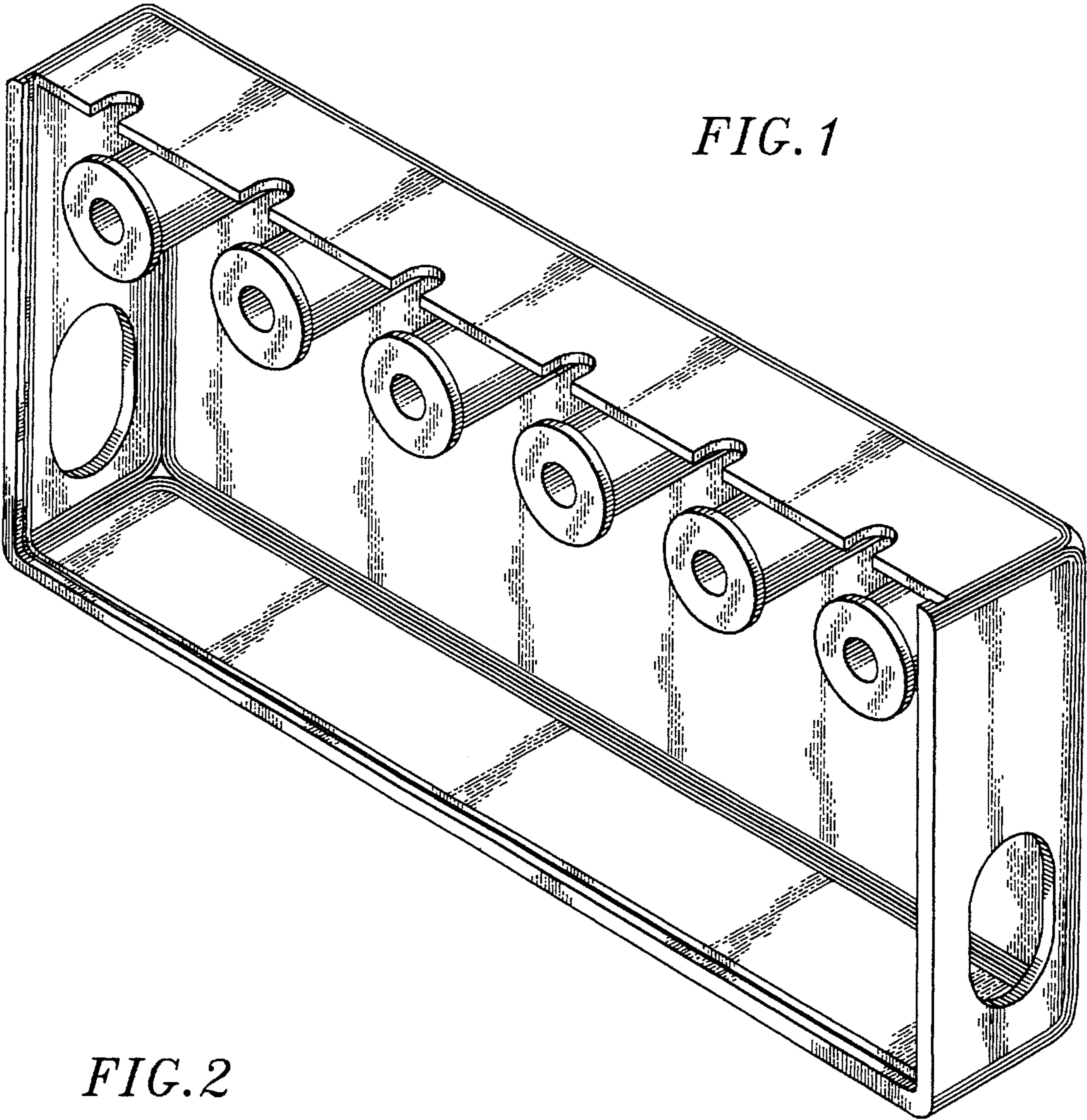


FIG. 2

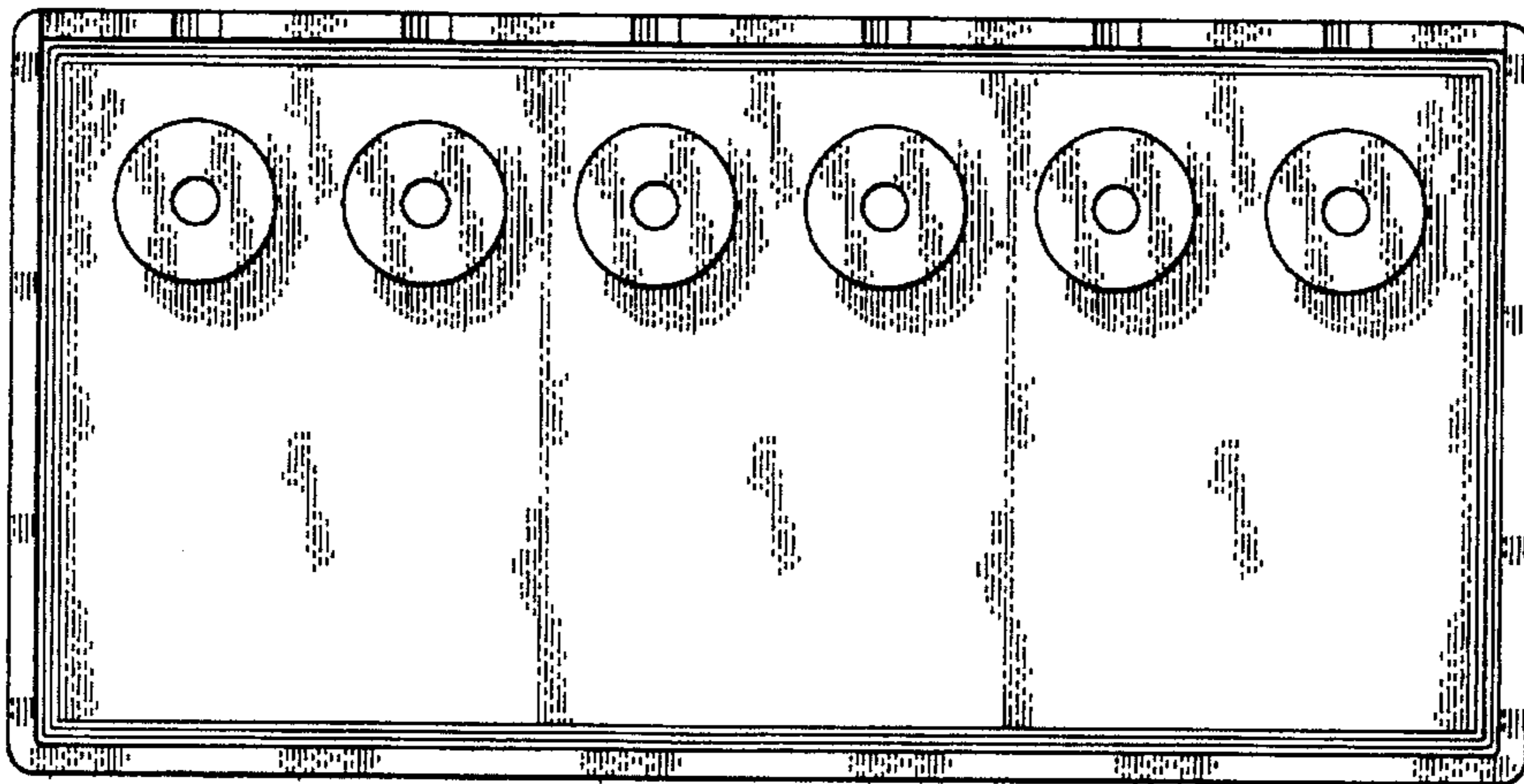


FIG. 3

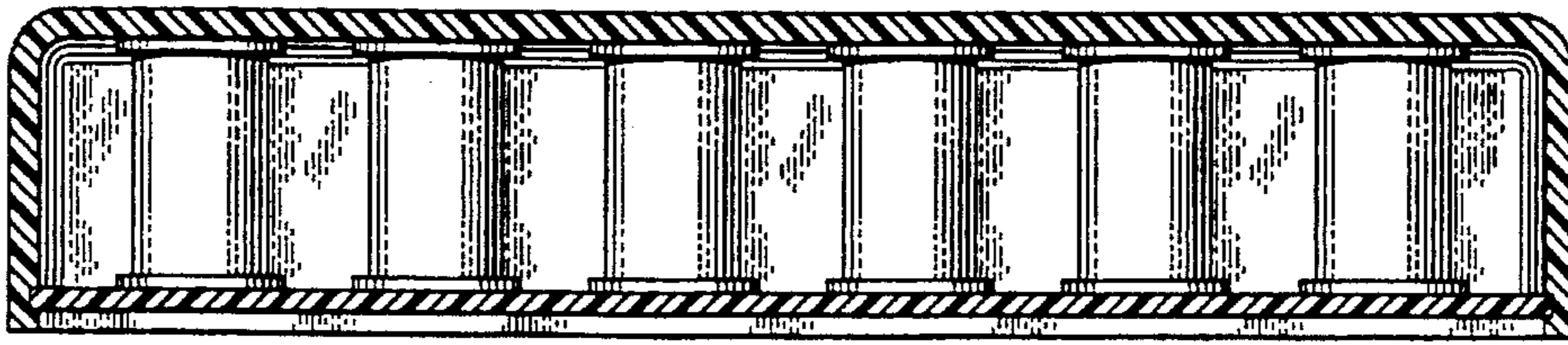


FIG. 4

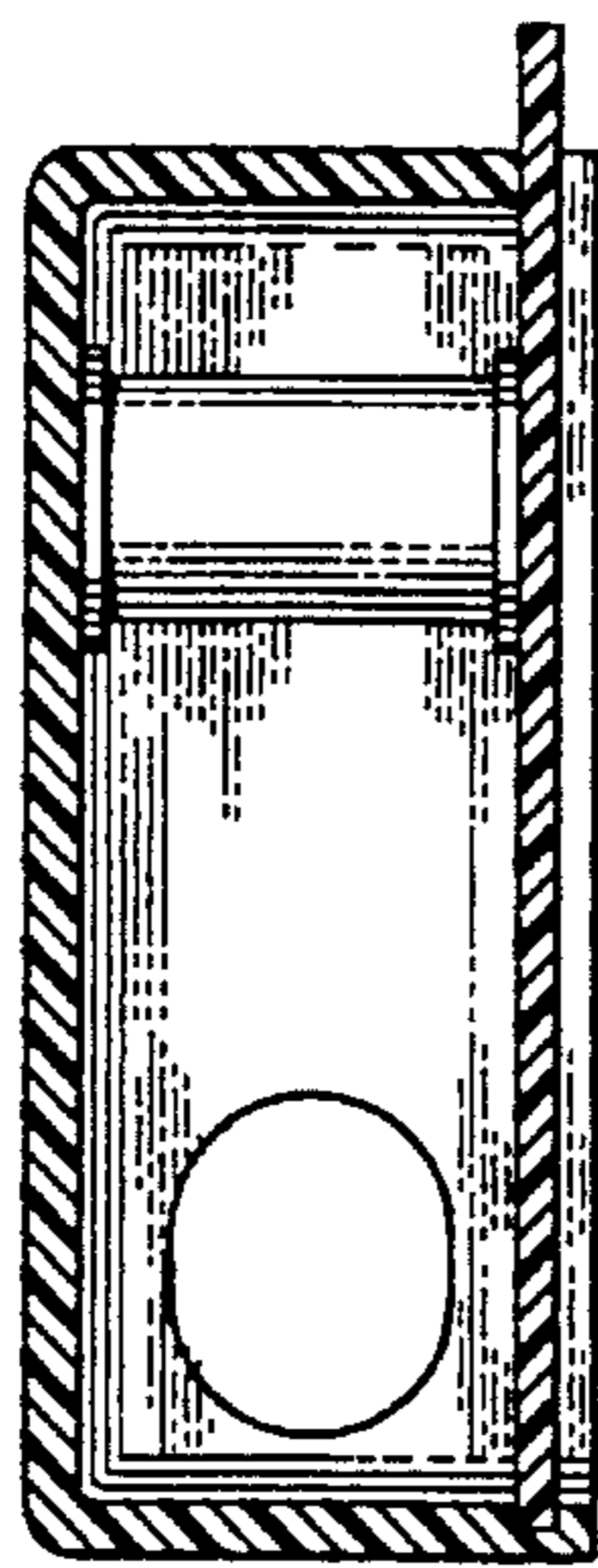


FIG. 5

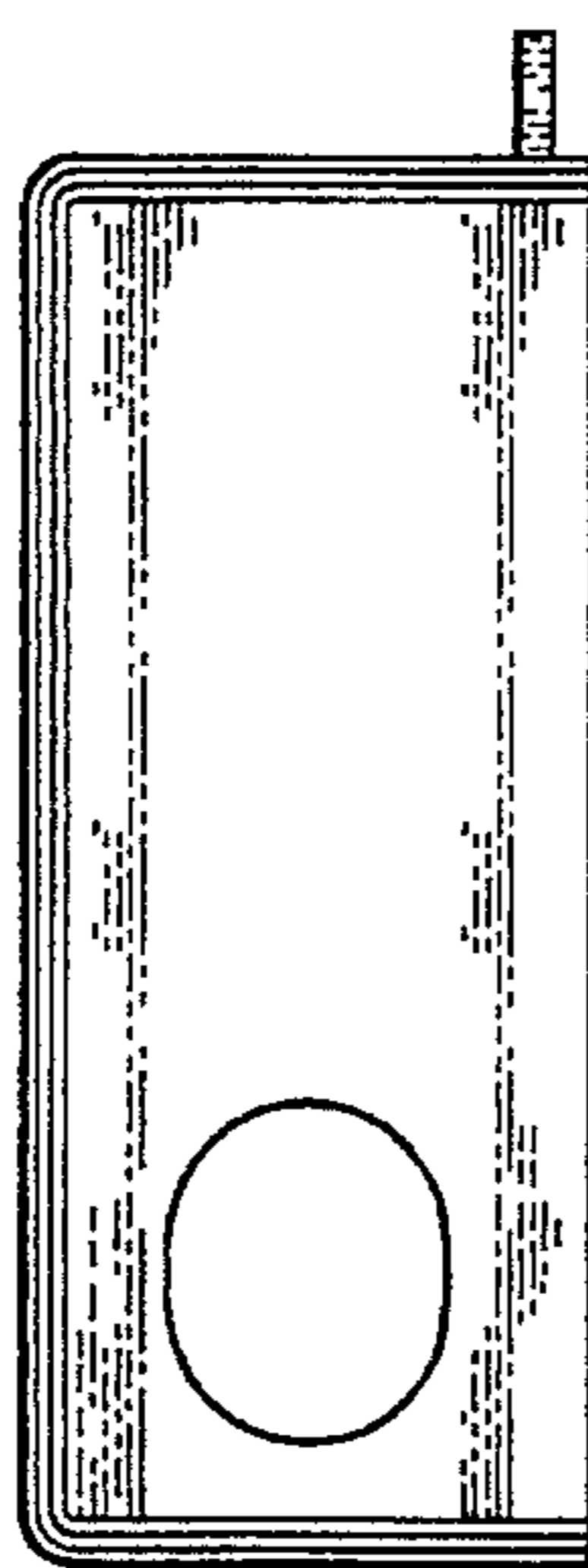


FIG. 6

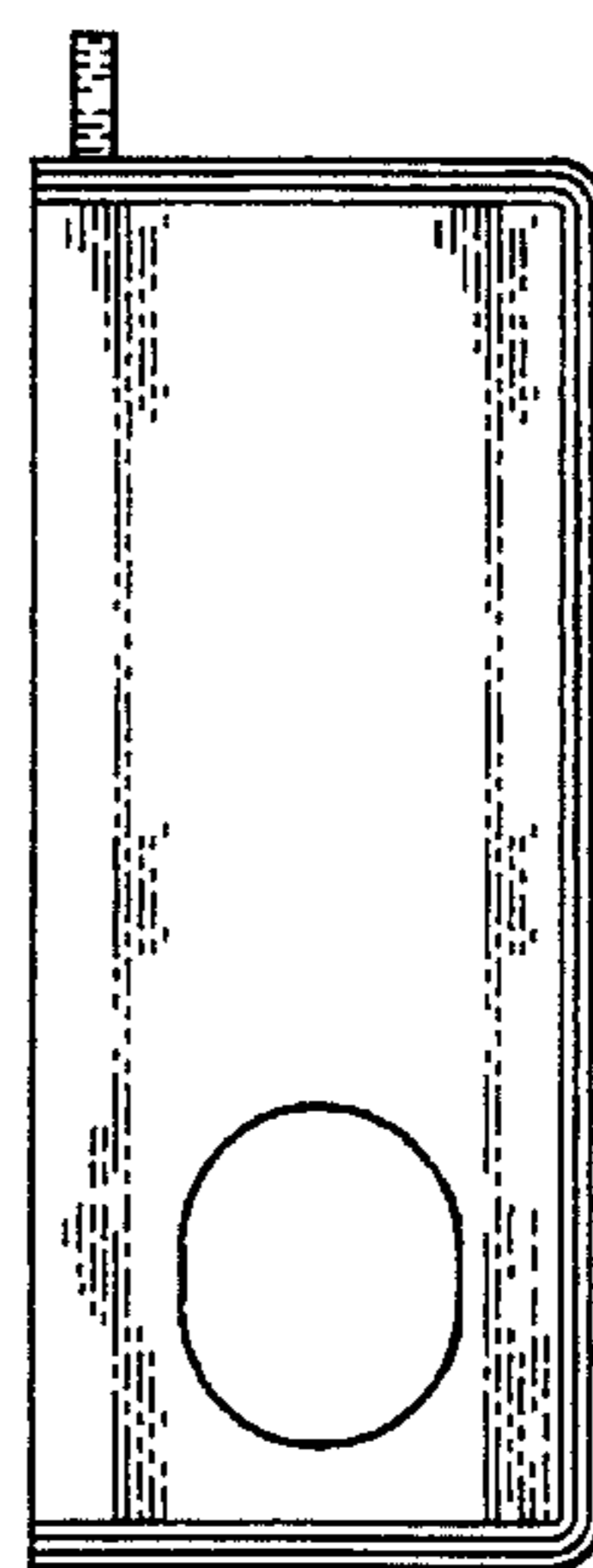


FIG. 7

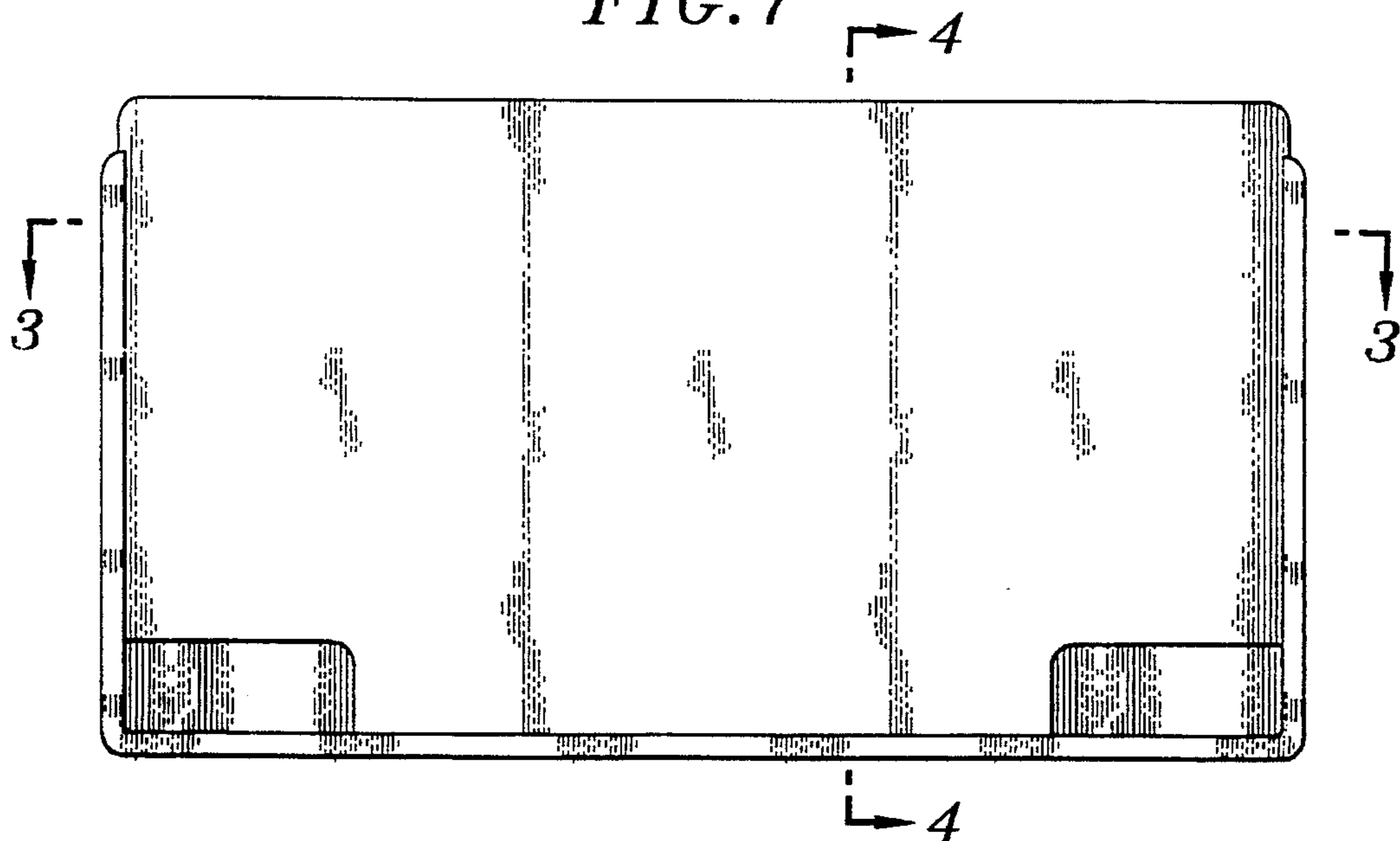


FIG. 8

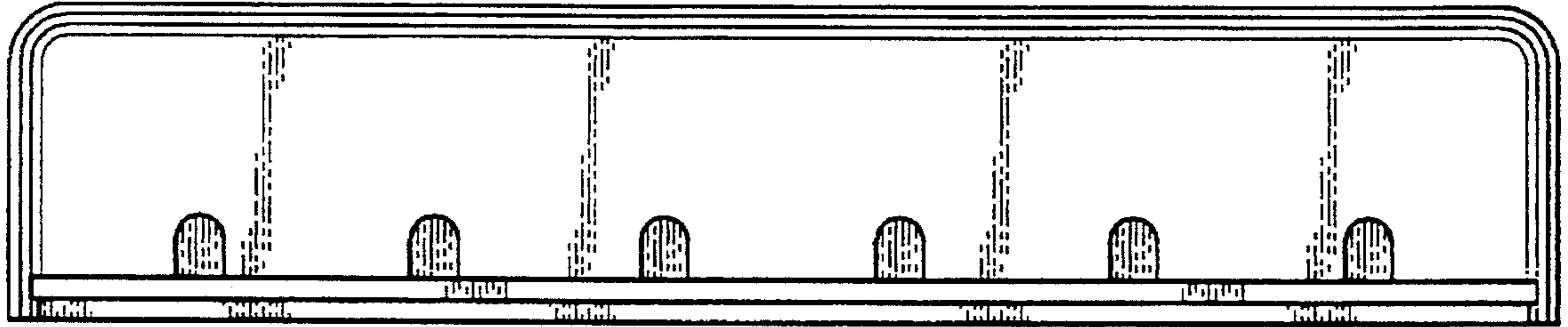


FIG. 9

