



US00D376529S

United States Patent [19]

[11] Patent Number: **Des. 376,529**

Davies et al.

[45] Date of Patent: ****Dec. 17, 1996**

[54] **BRACKET**

Primary Examiner—Holly Baynham

[75] Inventors: **John R. Davies; Sean J. Davies**, both of Vaughan, Canada

Attorney, Agent, or Firm—Neil H. Hughes; Ivor M. Hughes; Marcelo K. Sarkis

[73] Assignee: **420820 Ontario Limited**, Vaughan, Canada

[57] **CLAIM**

The ornamental design for a bracket, as shown and described.

[**] Term: **14 Years**

DESCRIPTION

[21] Appl. No.: **46,152**

FIG. 1 is a perspective view of the bracket; FIG. 2 is an environmental perspective view with the broken line showing of a fragmented window sash being for illustrative purposes only and forms no part of the claimed design;

[22] Filed: **Nov. 8, 1995**

[52] U.S. Cl. **D8/349**

[58] Field of Search D8/349, 354, 373, D8/400; 248/300, 200, 209.1

FIG. 3 is a top view of the bracket;

FIG. 4 is a side view of the bracket;

FIG. 5 is a front view of the bracket;

FIG. 6 is a rear view of the bracket; and,

FIG. 7 is a bottom view of the bracket.

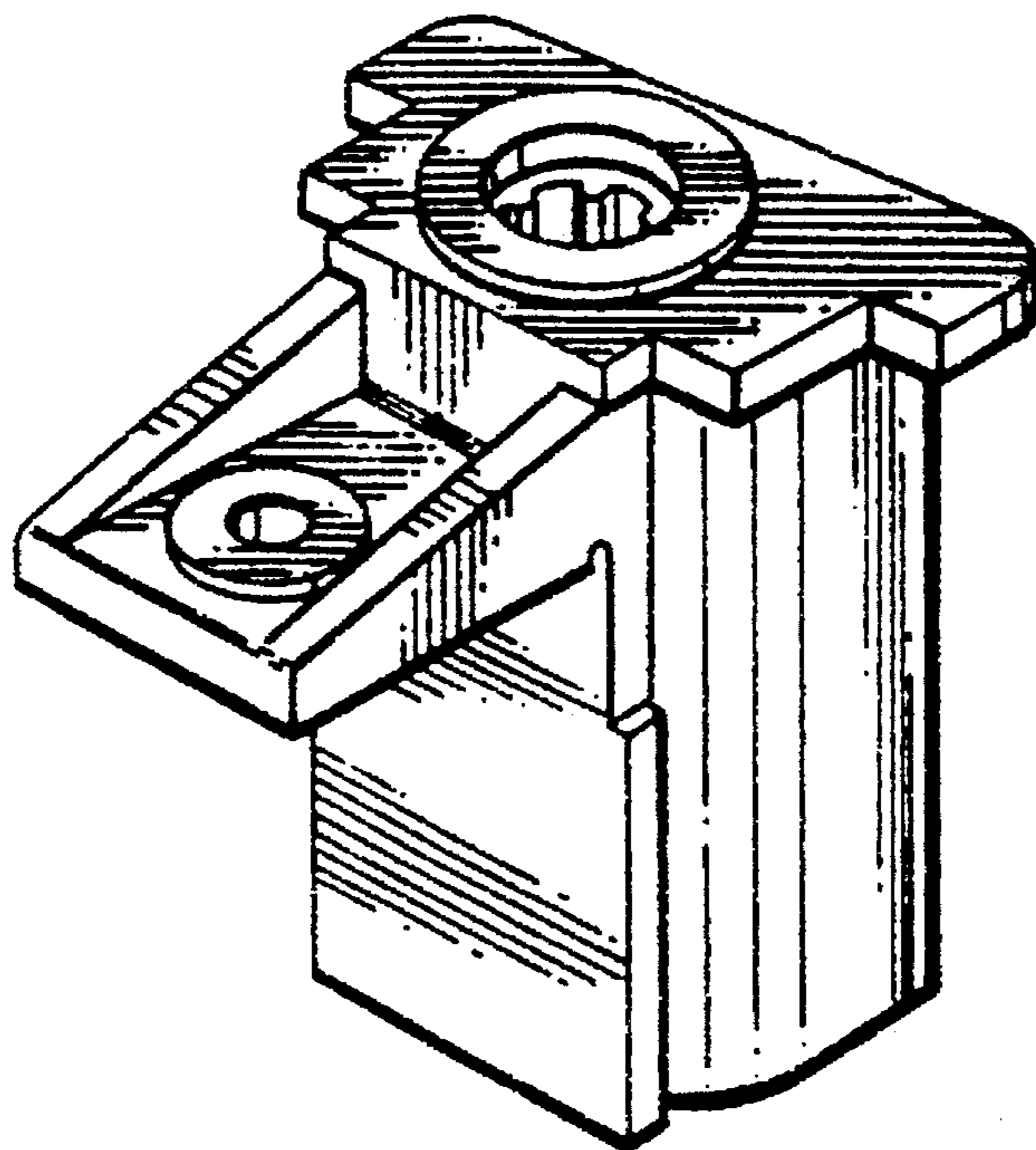
[56] **References Cited**

U.S. PATENT DOCUMENTS

D. 288,283 2/1987 Mattson D8/373

D. 361,068 8/1995 Brehmer et al. D8/373 X

1 Claim, 2 Drawing Sheets



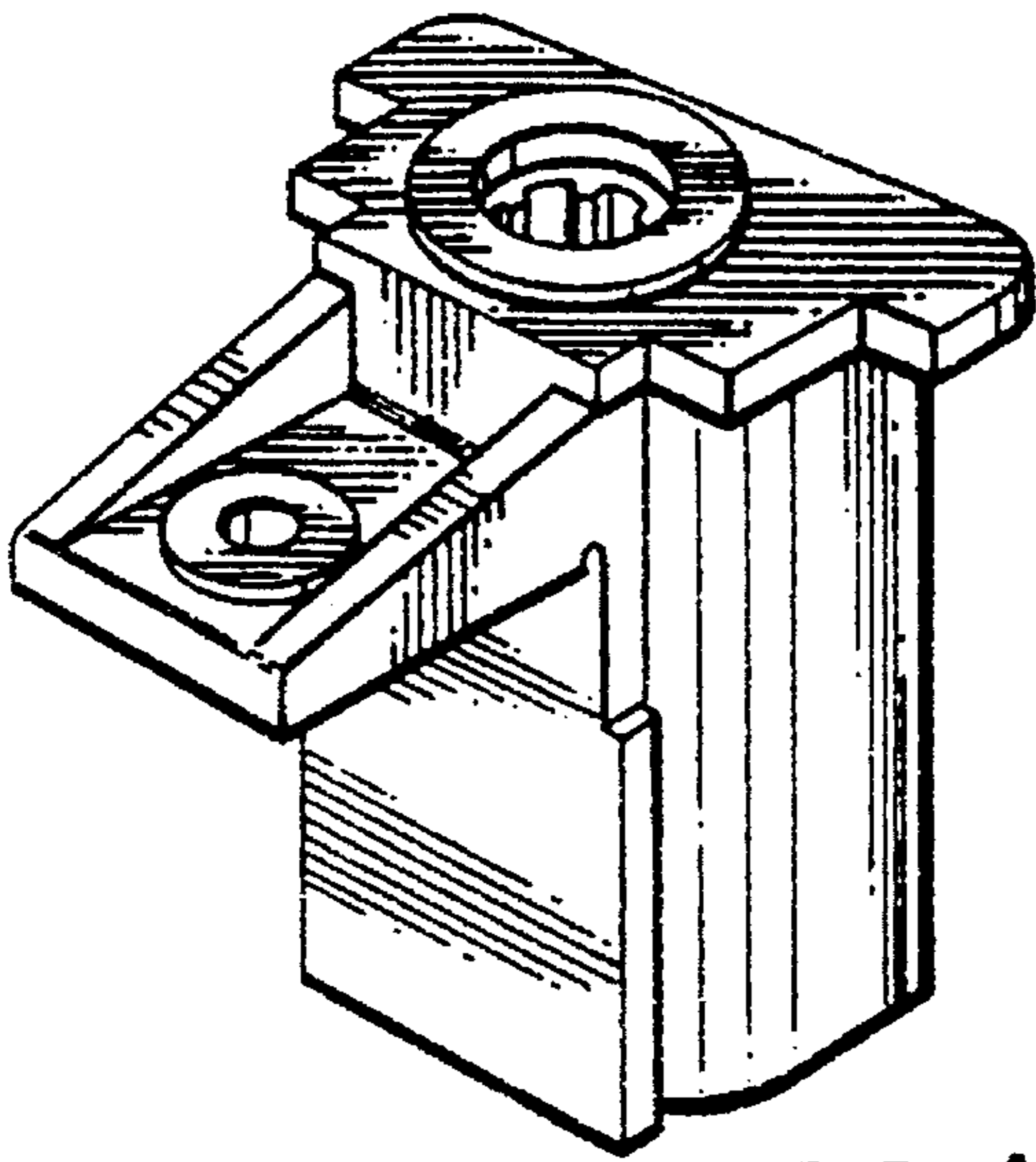


FIG. 1.

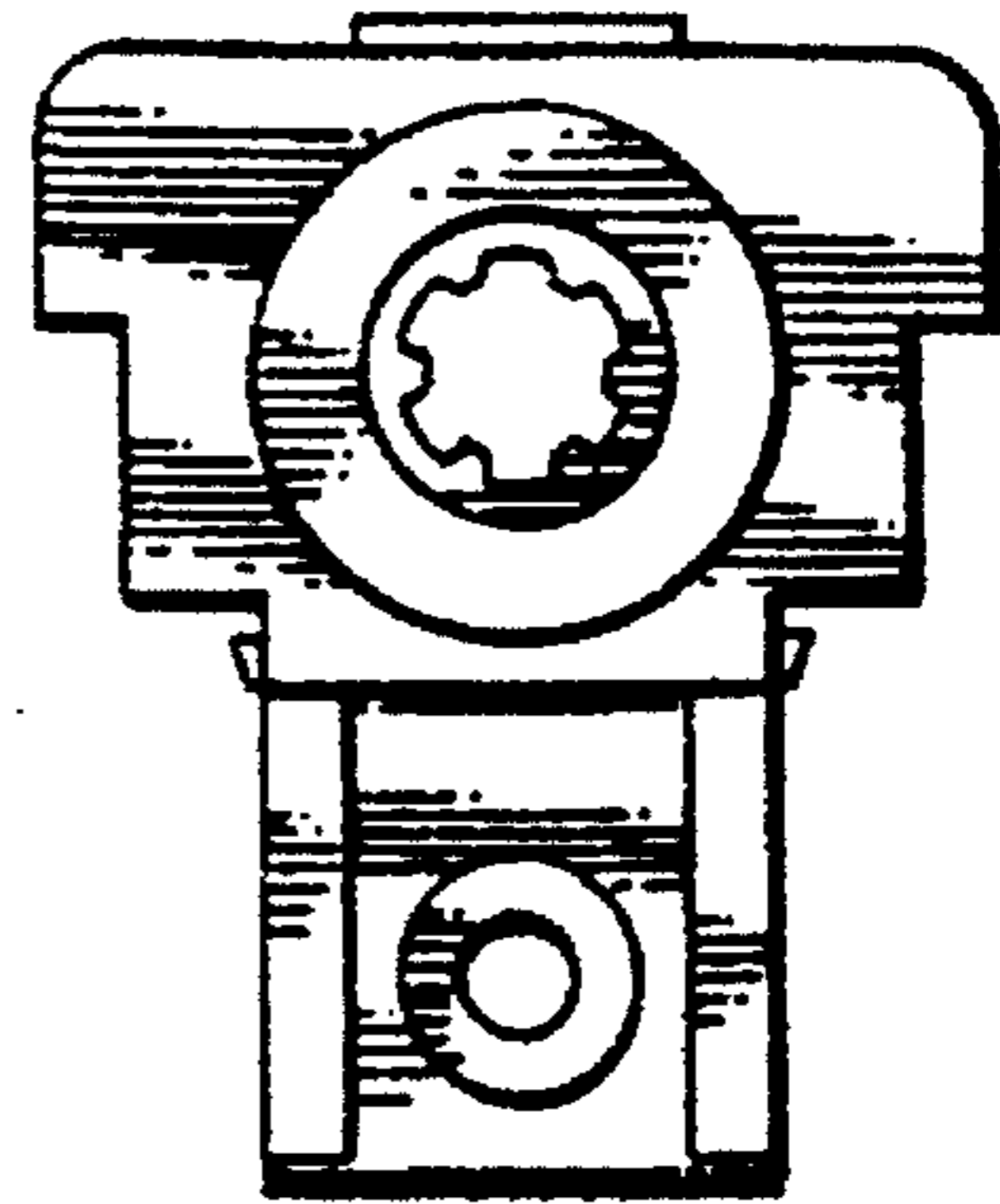


FIG. 3.

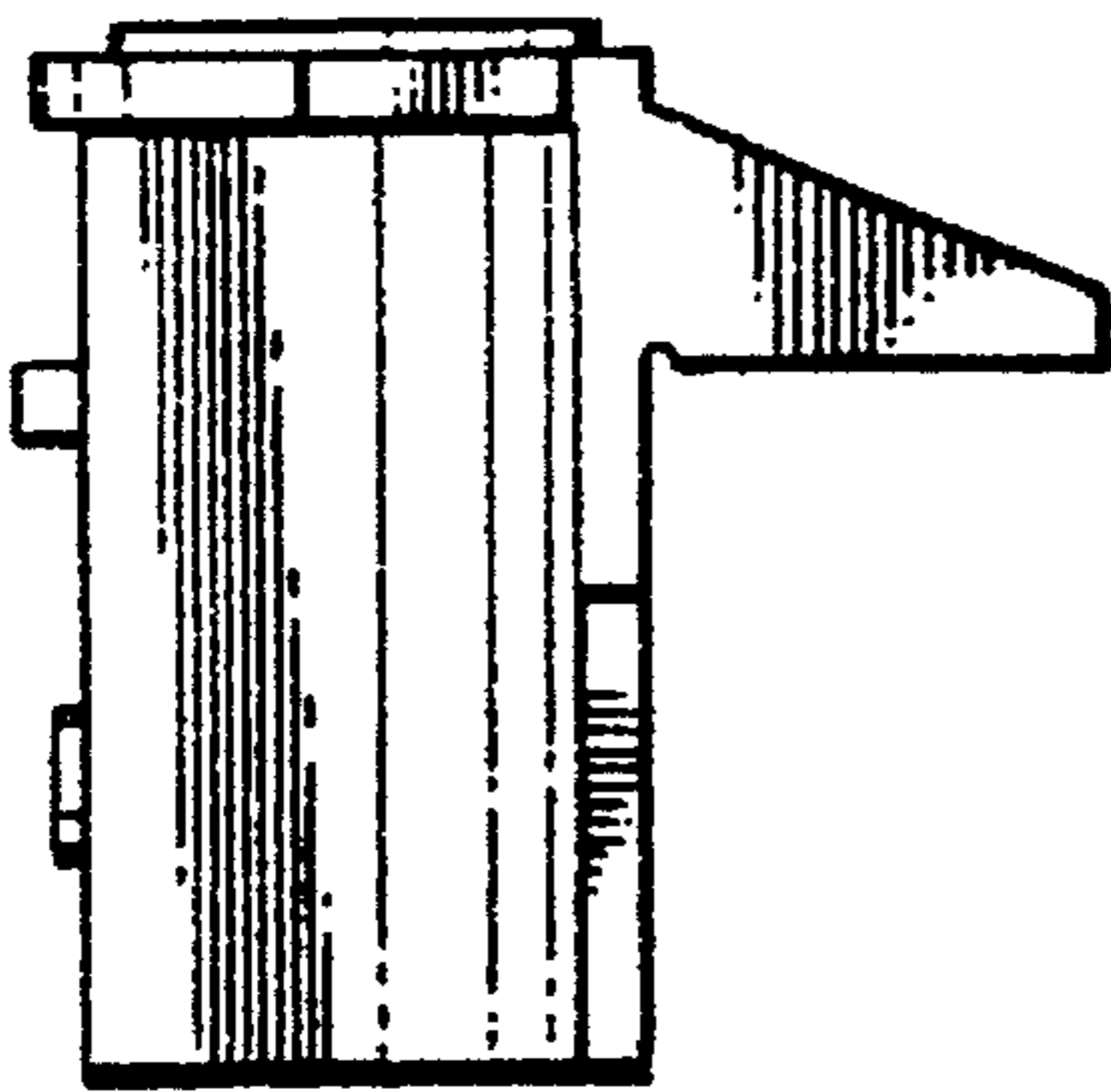


FIG. 4.

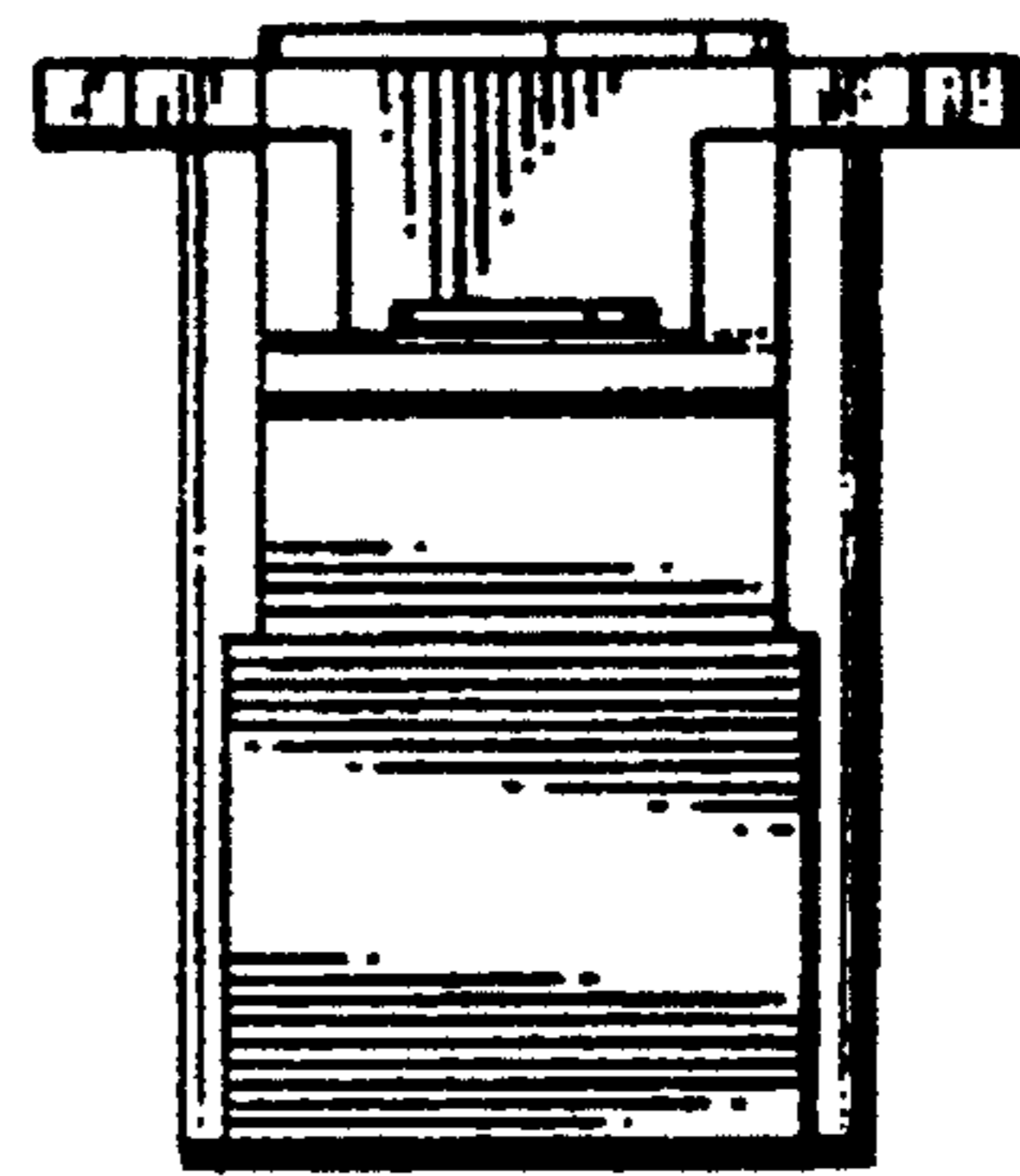


FIG. 5.

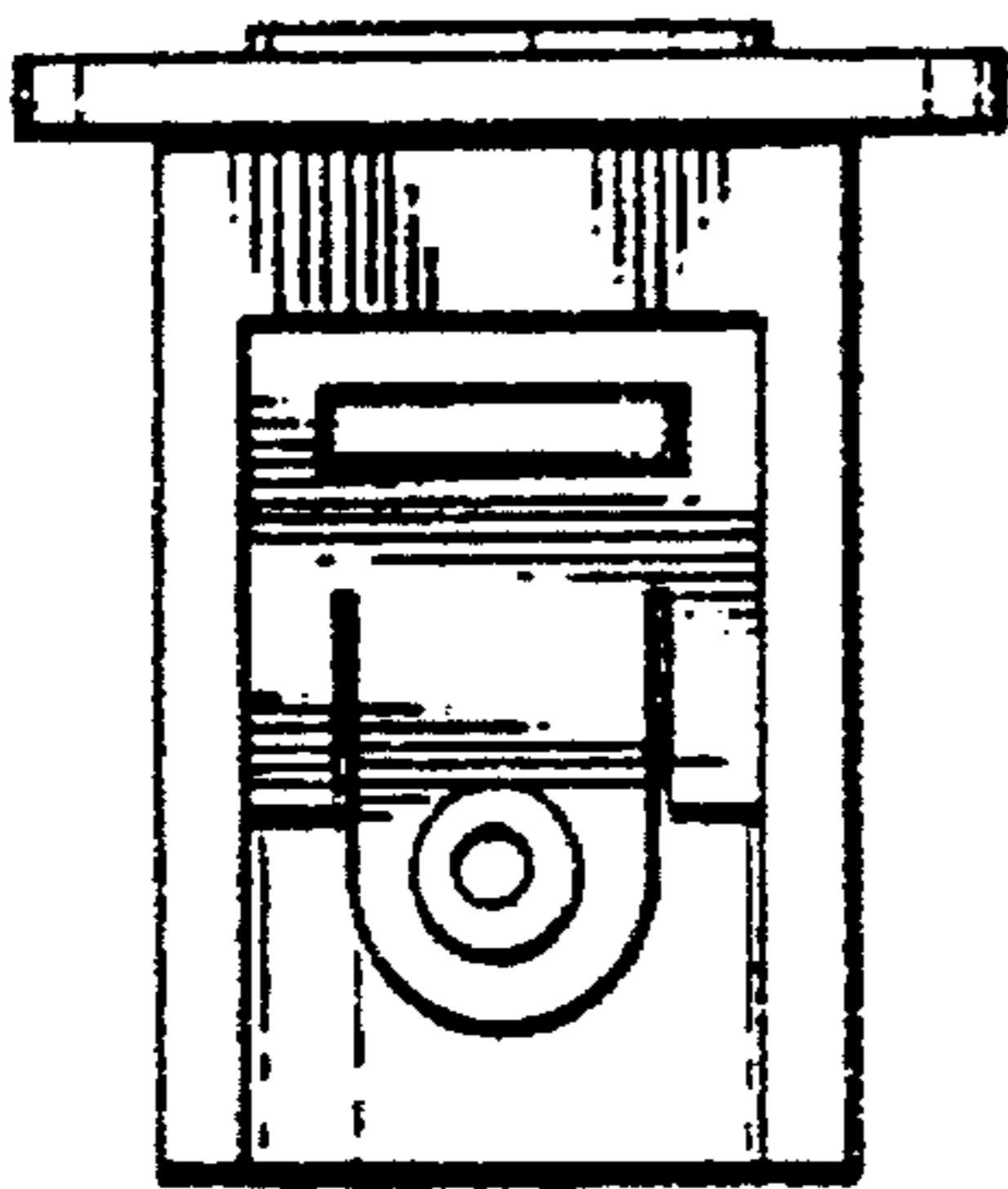


FIG. 6.

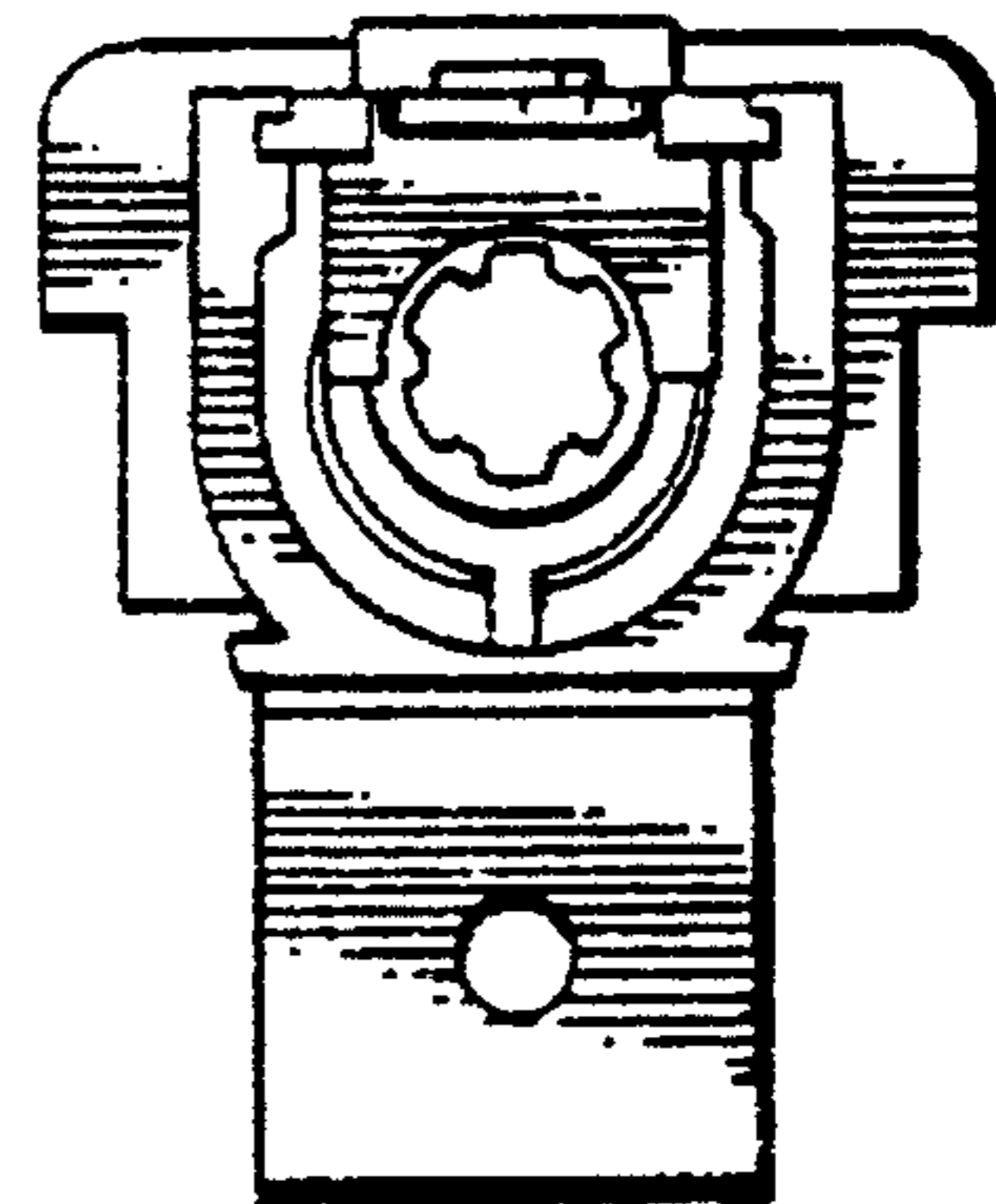


FIG. 7.

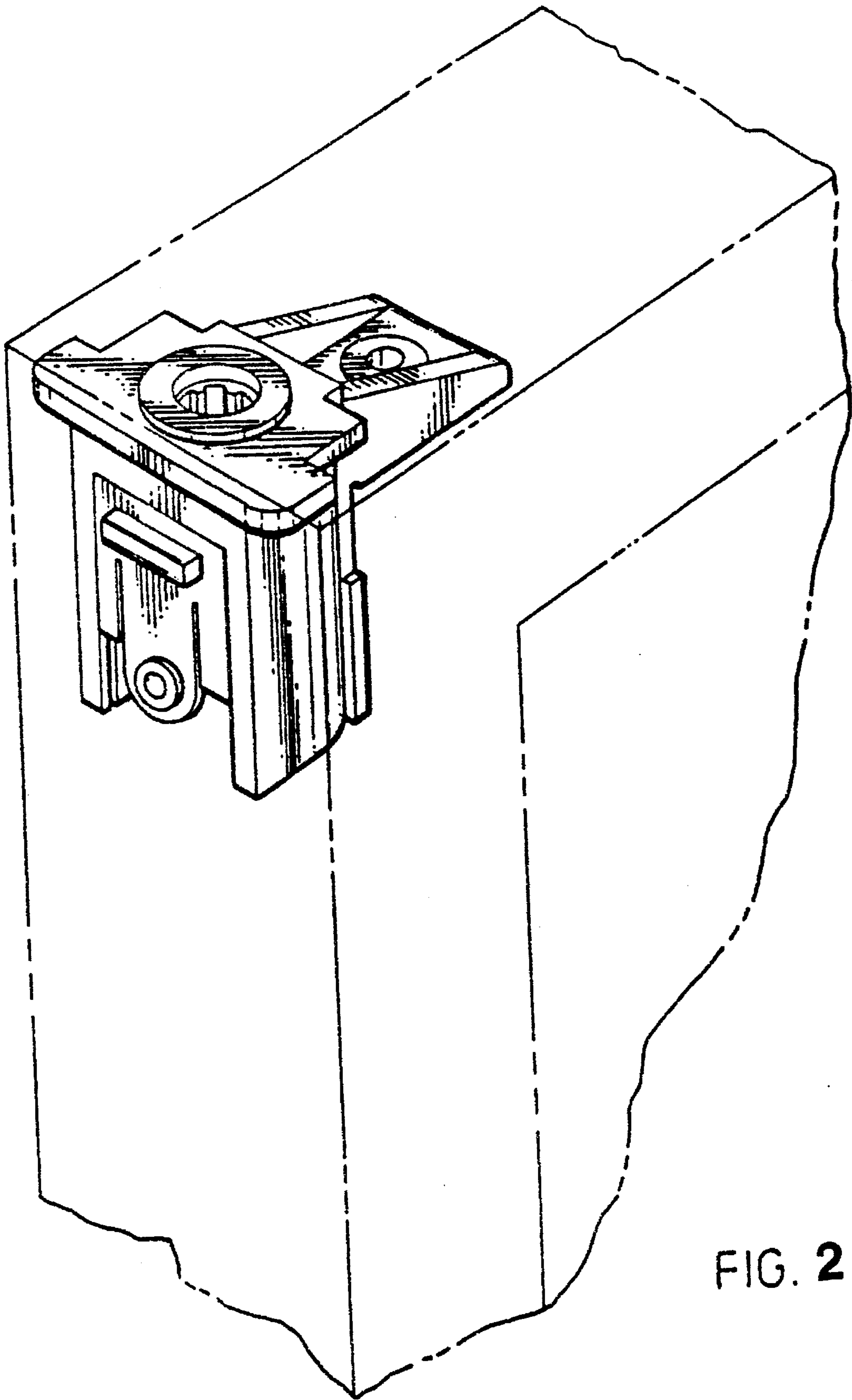


FIG. 2.