



US00D376527S

# United States Patent [19]

Apolinski et al.

[11] Patent Number: **Des. 376,527**

[45] Date of Patent: **\*\*Dec. 17, 1996**

[54] **RIP FENCE AND CUTTING GUIDE**

[75] Inventors: **Edmund Apolinski**, Chicago; **David R. Daniels**, Lake Villa, both of Ill.

[73] Assignee: **Wolfcraft, Inc.**, Itasca, Ill.

[\*\*] Term: **14 Years**

[21] Appl. No.: **41,932**

[22] Filed: **Jul. 27, 1995**

[52] U.S. Cl. .... **D8/70**; D15/133

[58] Field of Search ..... D8/70, 71; D15/133, D15/141; 30/293, 372, 373, 376, 481, 310; 33/640, 27.11, 42, 464, 479; 83/743, 745, 438; 451/414

4,414,745	11/1983	Kuhlmann et al. ....	30/373
4,628,608	12/1986	Kuhlmann et al. ....	30/373
4,809,439	3/1989	Burns .....	33/42
4,852,257	8/1989	Moore .....	30/373
4,979,304	12/1990	Sprague .....	33/42

### OTHER PUBLICATIONS

Circle-cutting Straight Edge Guide, Sears Power and Hand Tools Catalog, 1993-1994, p. 76.

*Primary Examiner*—James M. Gandy

*Assistant Examiner*—Robert M. Spear

*Attorney, Agent, or Firm*—Antonelli, Terry, Stout & Kraus

[57] **CLAIM**

The ornamental design for a rip fence and cutting guide, as shown and described.

### DESCRIPTION

FIG. 1 is a top plan view of a rip fence and cutting guide showing our new design; FIG. 2 is a side elevational view thereof, the opposite side elevational view being a mirror image thereof; FIG. 3 is a bottom plan view thereof; FIG. 4 is a front elevational view thereof; FIG. 5 is a back elevational view thereof; and, FIG. 6 is a cross-sectional view taken along line 6—6 of FIG. 3.

**1 Claim, 2 Drawing Sheets**

[56] **References Cited**

#### U.S. PATENT DOCUMENTS

D. 226,065	1/1973	Holder .....	D8/71
D. 300,599	4/1989	Ledenican .....	D8/71
D. 310,161	8/1990	Blair .....	D8/71
422,852	3/1890	Traut .....	33/464
885,226	4/1908	Cowles .....	33/42
1,629,426	5/1927	Weller .....	33/42
2,347,659	5/1944	Burch .....	33/42
2,491,339	12/1949	Sobilo .....	451/414
2,800,933	7/1957	Michael .....	30/373
2,819,742	1/1958	Blachly .....	30/373
3,484,945	12/1969	Clark .....	33/464

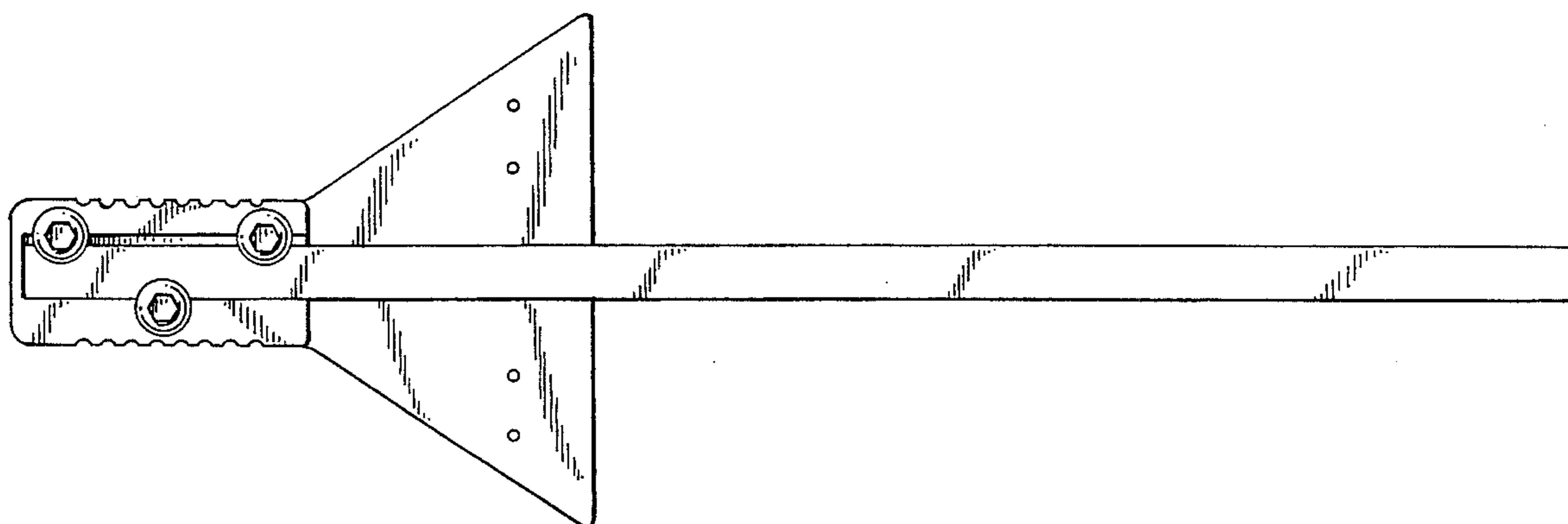


FIG. 1

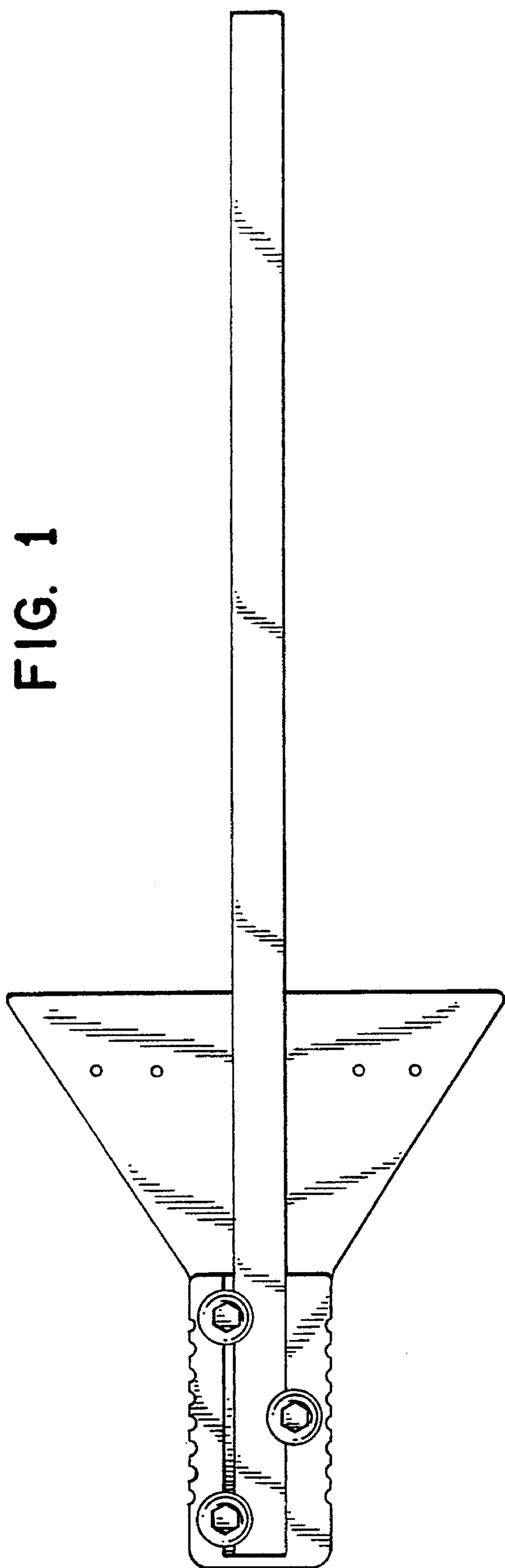
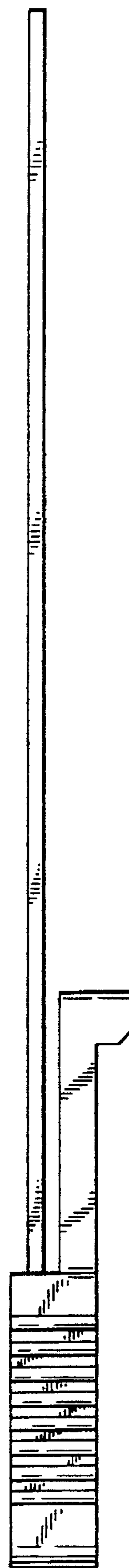


FIG. 2



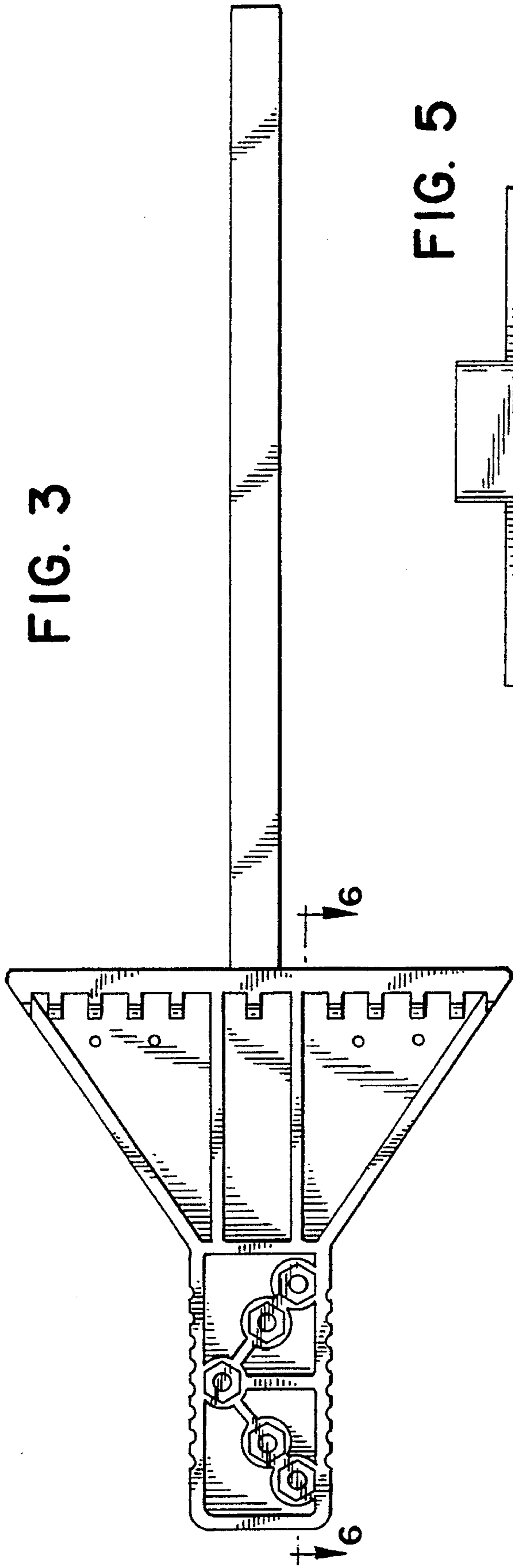


FIG. 3

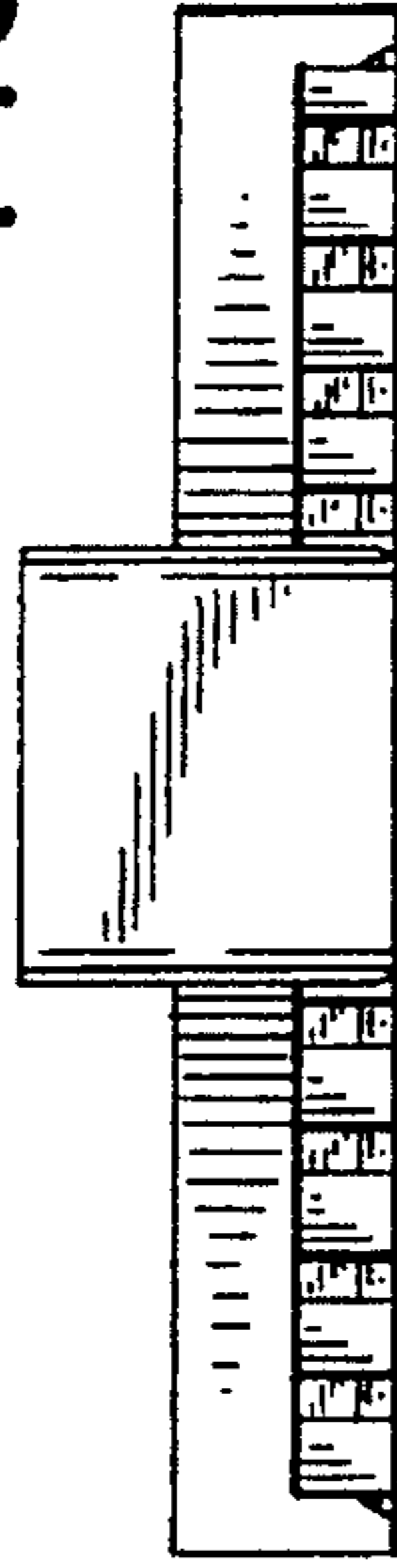


FIG. 5

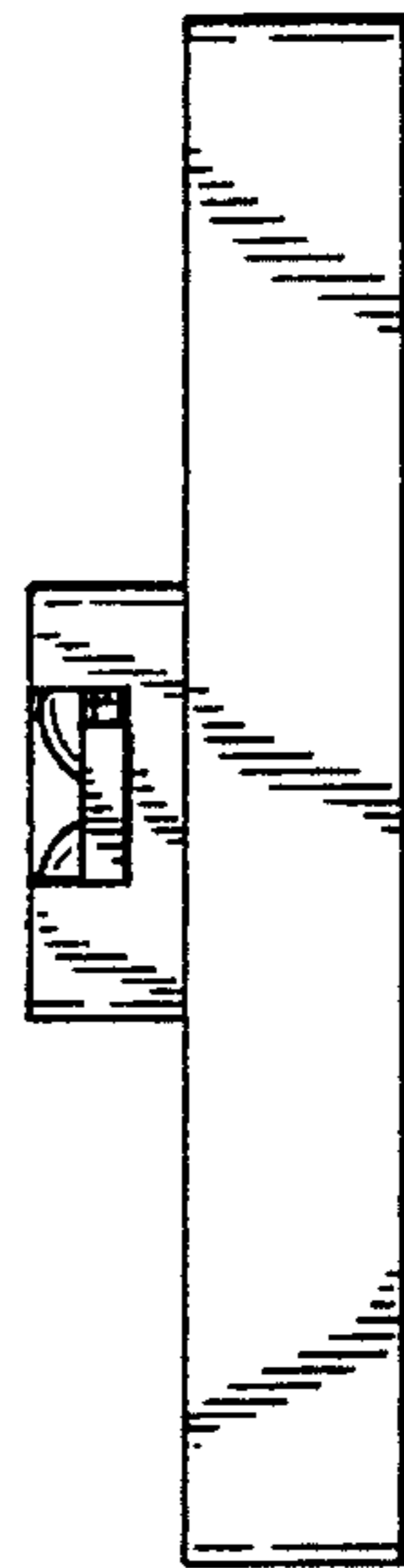


FIG. 4

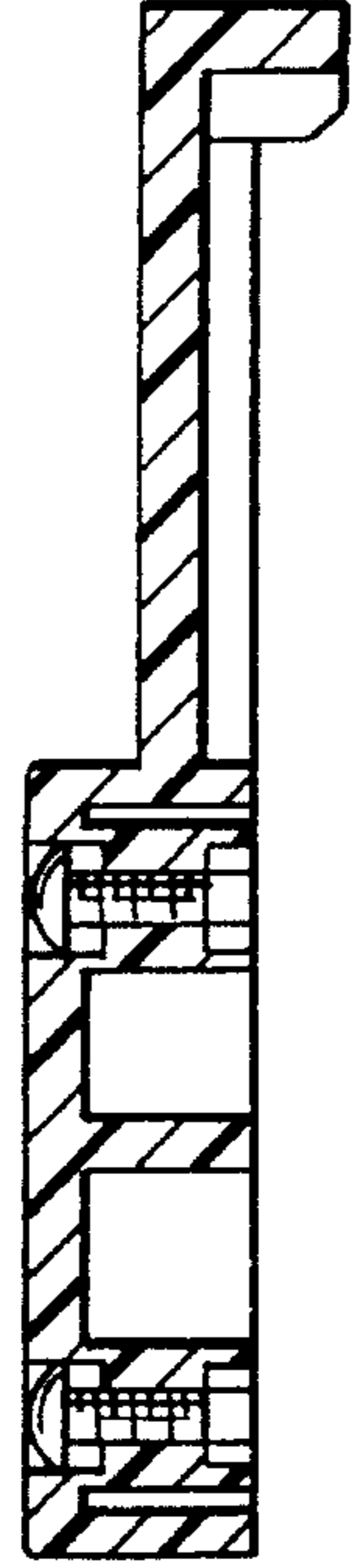


FIG. 6