



US00D376525S

United States Patent [19]

[11] Patent Number: **Des. 376,525**

Benson

[45] Date of Patent: ****Dec. 17, 1996**

[54] **RECIPROCATING SAW**

[76] Inventor: **Michael D. Benson**, 25410 SW. 134th Ave., Princeton, Fla. 33032

[**] Term: **14 Years**

Primary Examiner—James M. Gandy
Assistant Examiner—Robert M. Spear
Attorney, Agent, or Firm—James A. Hudak

[21] Appl. No.: **42,054**

[22] Filed: **Jul. 31, 1995**

[52] U.S. Cl. **D8/64**

[58] Field of Search D8/61, 64, 68;
D7/139, 646; 30/166.3, 273, 274, 275,
374, 382, DIG. 1; 81/57.11, 57.13, 57.14

[57] **CLAIM**

The ornamental design for a reciprocating saw, as shown and described.

DESCRIPTION

FIG. 1 is an exploded perspective view of the reciprocating saw showing my new design;

FIG. 2 is a front elevational view thereof;

FIG. 3 is a rear elevational view thereof;

FIG. 4 is a right side elevational view thereof;

FIG. 5 is a left side elevational view thereof;

FIG. 6 is a top plan view thereof; and,

FIG. 7 is a bottom plan view thereof.

[56] **References Cited**

U.S. PATENT DOCUMENTS

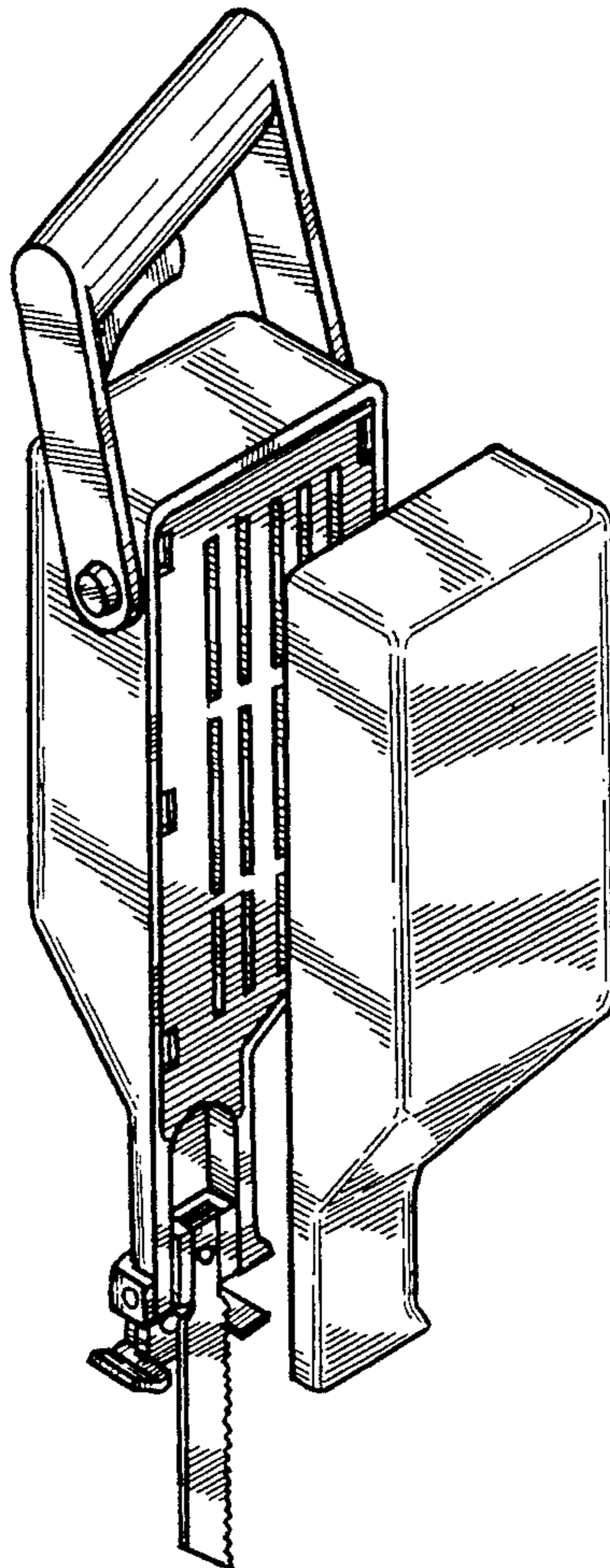
D. 395,510	9/1993	Sakamoto et al.	D8/64
4,543,718	10/1985	Duescher	30/166.3
4,711,030	12/1987	Ruston, Sr.	30/DIG. 1
4,979,307	12/1990	Ste. Marie	30/382

OTHER PUBLICATIONS

Reciprocating Saw illustration, top of p. 25, *Product Engineering Magazine*, Jan. 23, 1961.

Ingersoll-Rand Pro-Series Horizontal Grinder Model 99HG60K166, *Campbell Industrial Supply Co. Catalog*, p. 407.

1 Claim, 4 Drawing Sheets



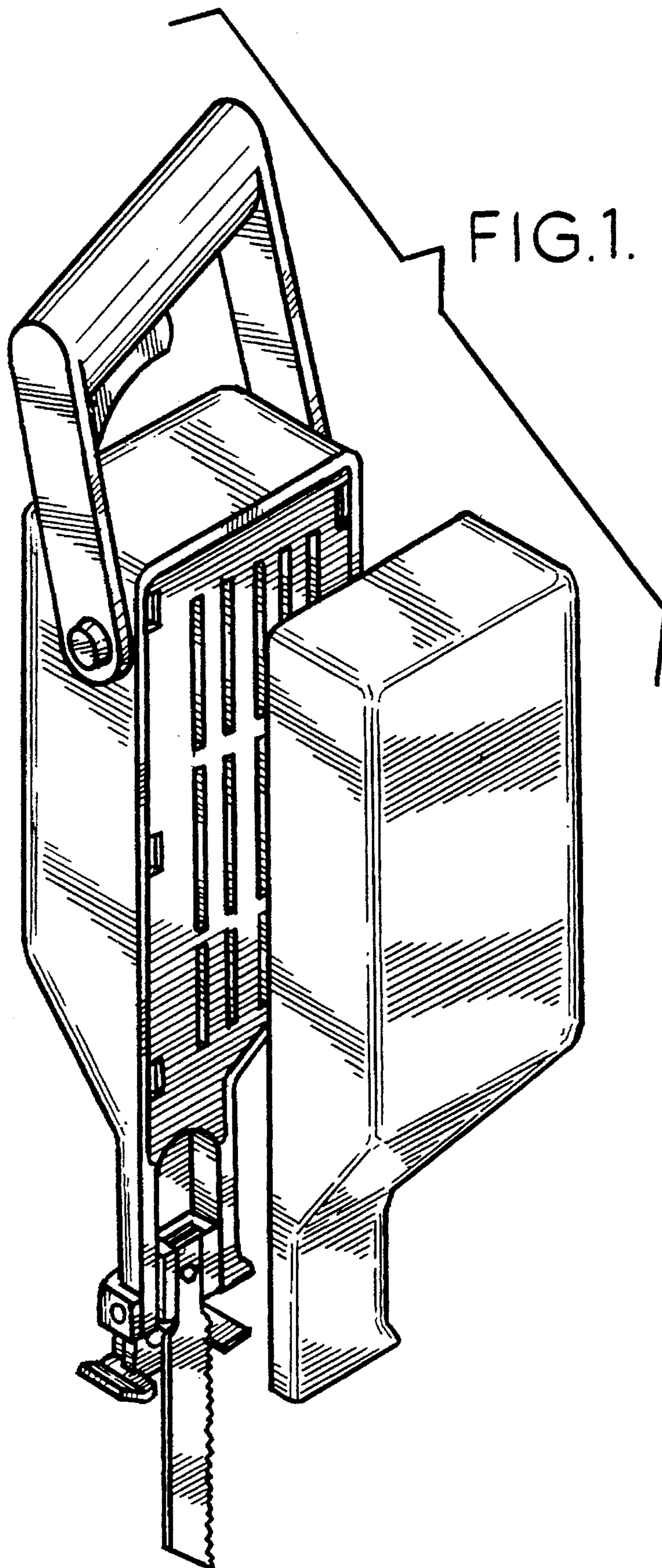


FIG. 2.

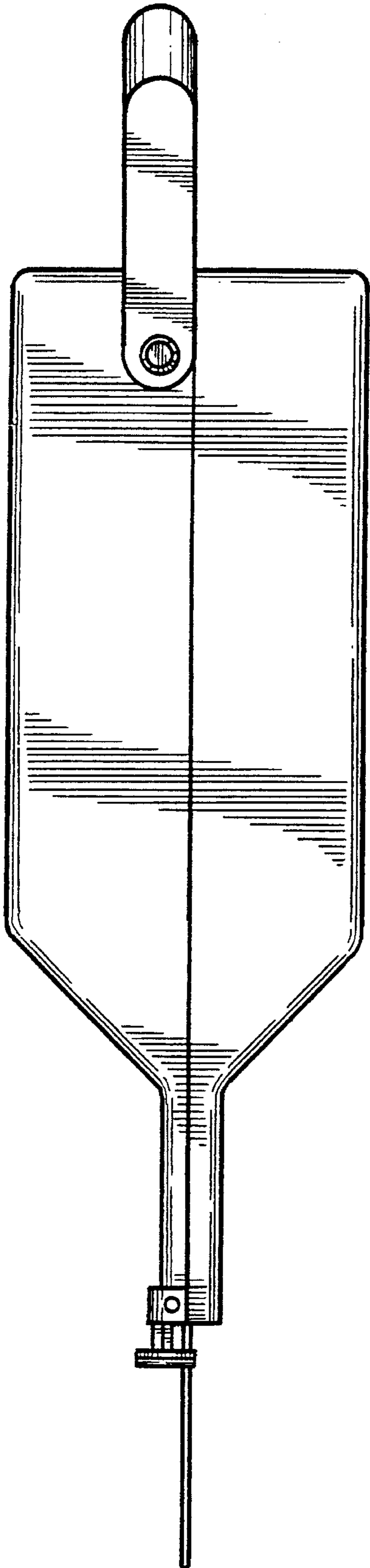


FIG. 4.

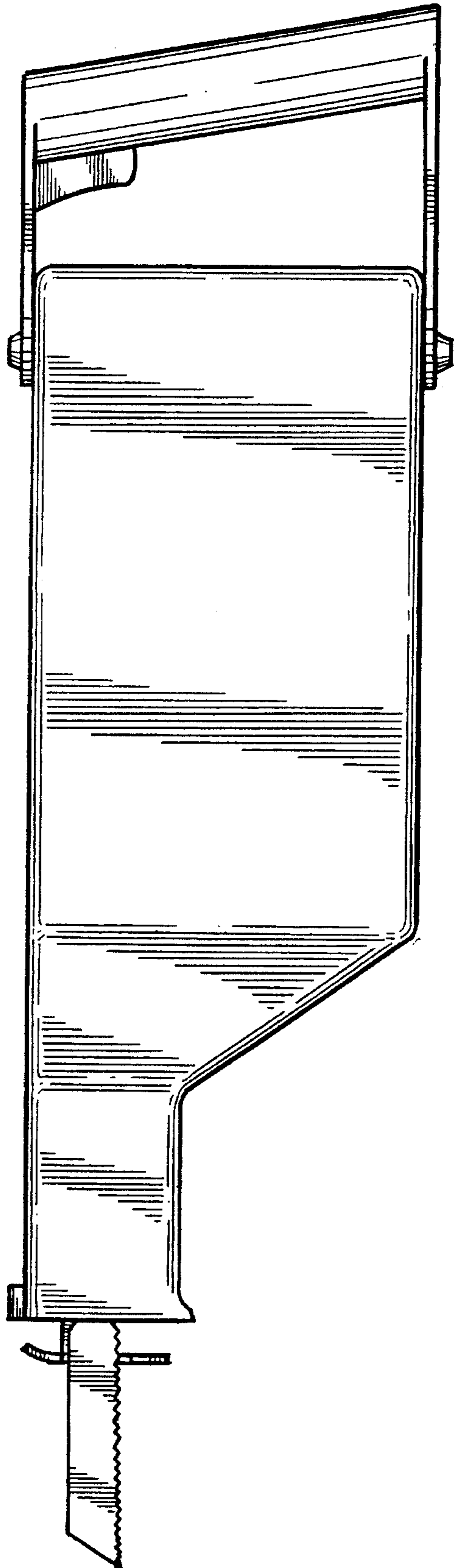


FIG. 7.

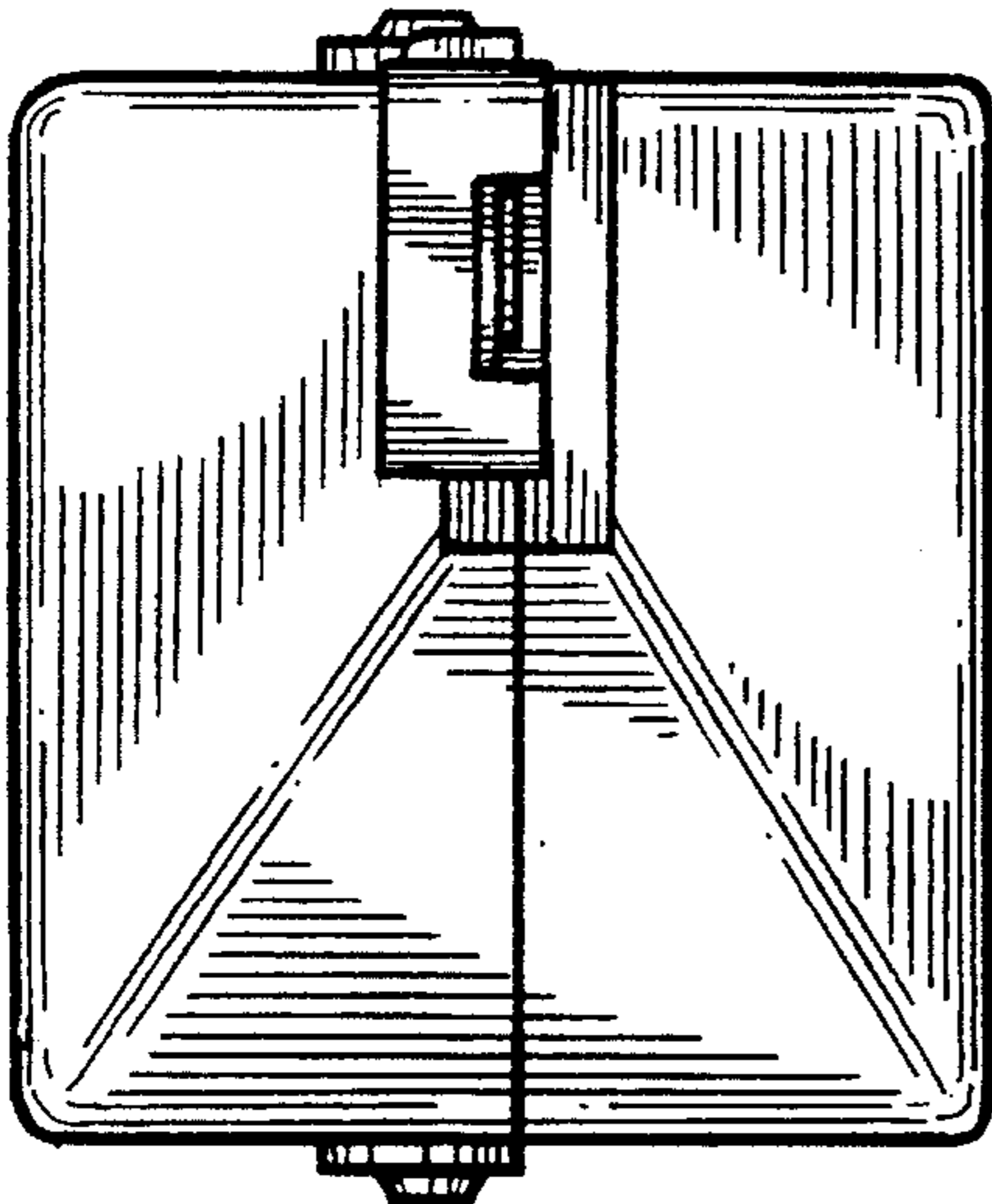


FIG. 3.

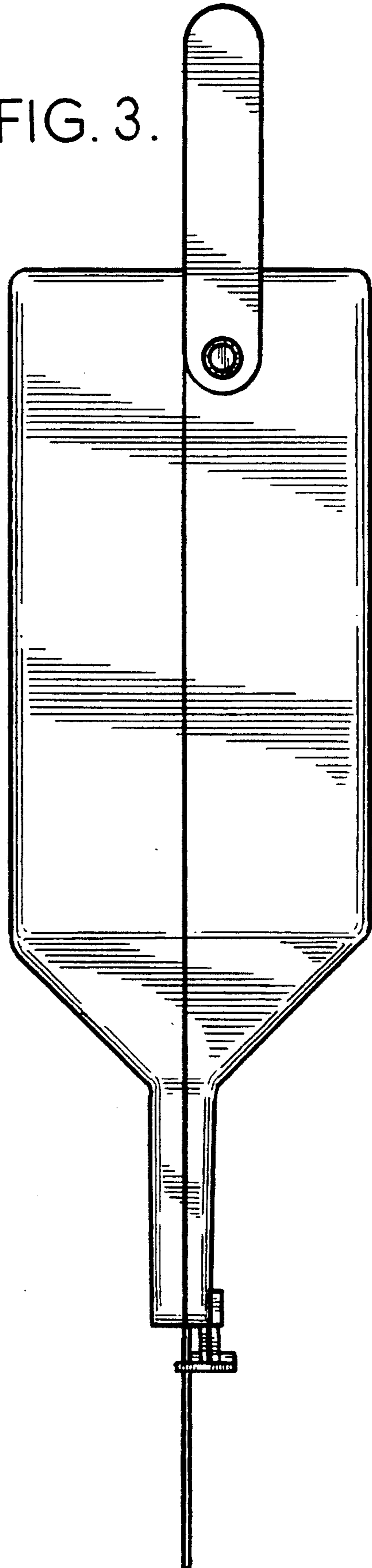


FIG. 5.

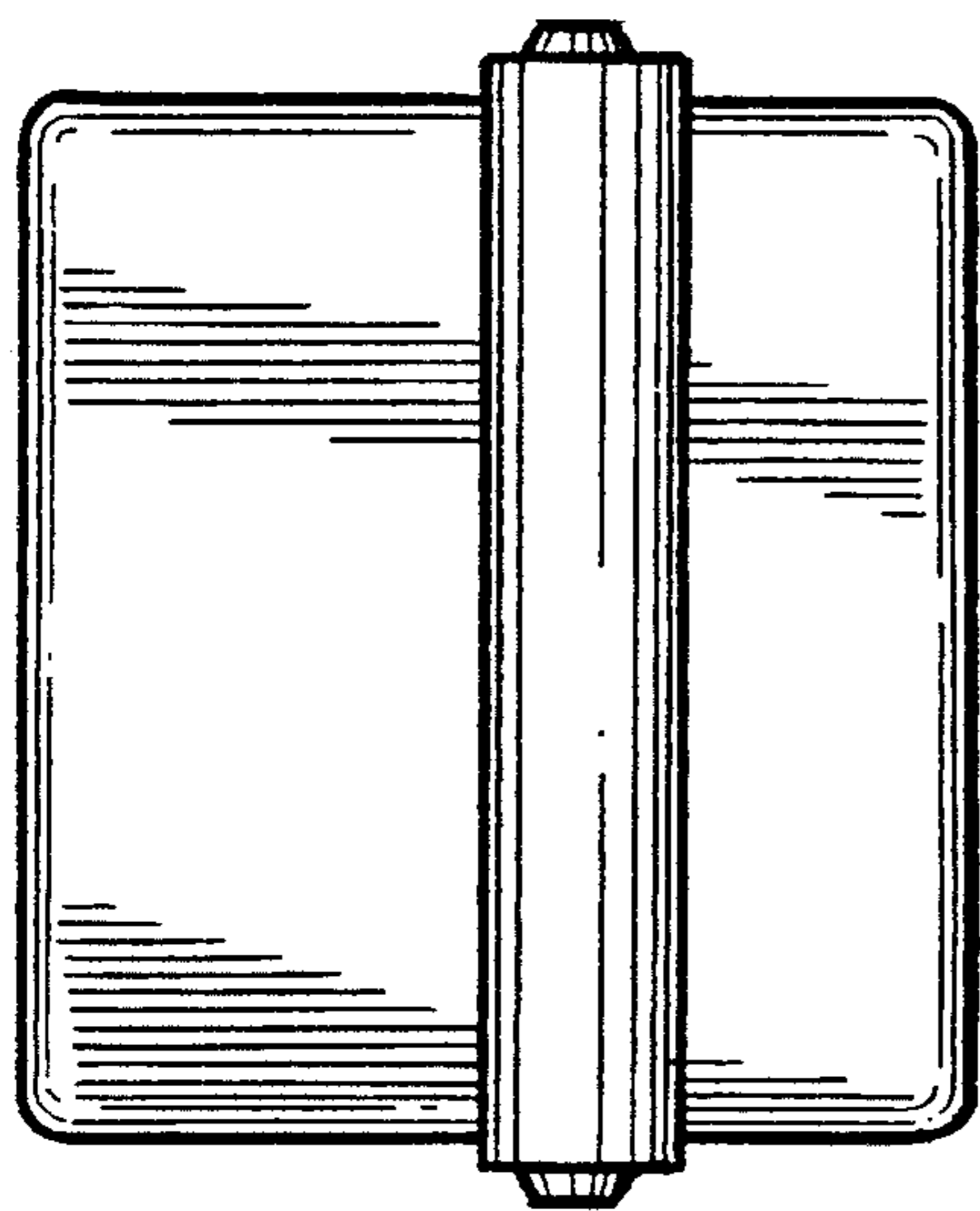
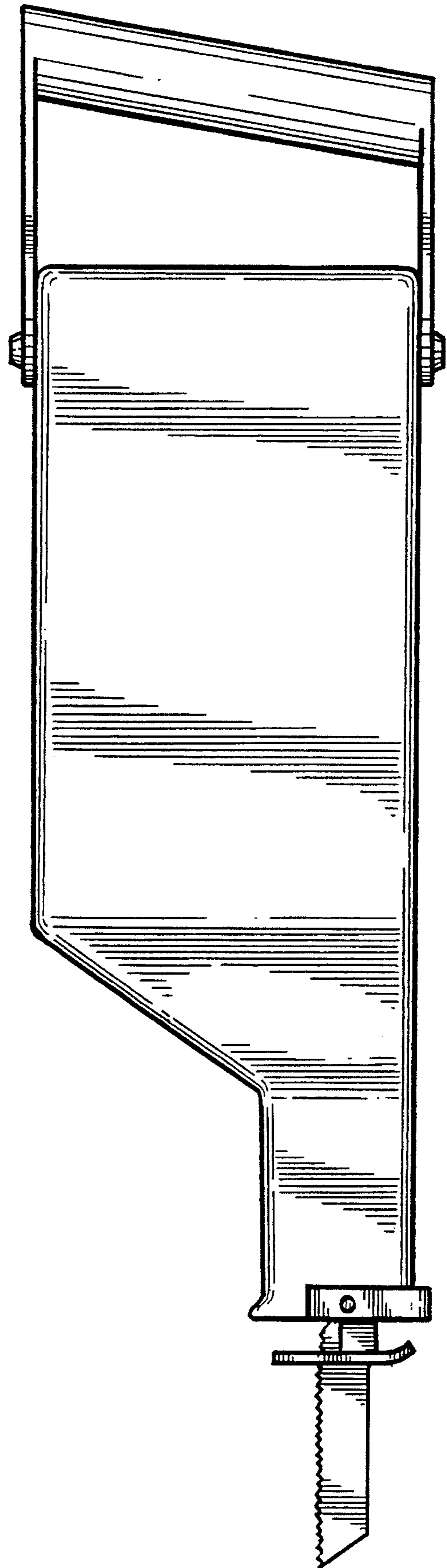


FIG. 6.