



US00D376523S

# United States Patent [19]

[11] Patent Number: **Des. 376,523**

**Arai**

[45] Date of Patent: **\*\*Dec. 17, 1996**

[54] **PORTABLE STAPLING MACHINE**

[75] Inventor: **Masakazu Arai**, Tokyo, Japan

[73] Assignee: **Max Co., Ltd.**, Tokyo, Japan

[\*\*] Term: **14 Years**

[21] Appl. No.: **35,030**

[22] Filed: **Feb. 17, 1995**

[52] U.S. Cl. .... **D8/49; D8/69**

[58] Field of Search ..... **D8/49, 50, 61, D8/69; 227/132, 134, 127, 128**

[56] **References Cited**

**U.S. PATENT DOCUMENTS**

|            |         |                     |         |
|------------|---------|---------------------|---------|
| D. 330,836 | 11/1992 | Fushiya et al. .... | D8/49   |
| D. 333,601 | 3/1993  | Wingert .....       | D8/49   |
| D. 340,630 | 10/1993 | Hara .....          | D8/69   |
| 4,629,108  | 12/1986 | Judge .....         | 227/132 |

*Primary Examiner*—Ted Shooman  
*Assistant Examiner*—Adir Aronovich  
*Attorney, Agent, or Firm*—Cushman Darby & Cushman, L.L.P.

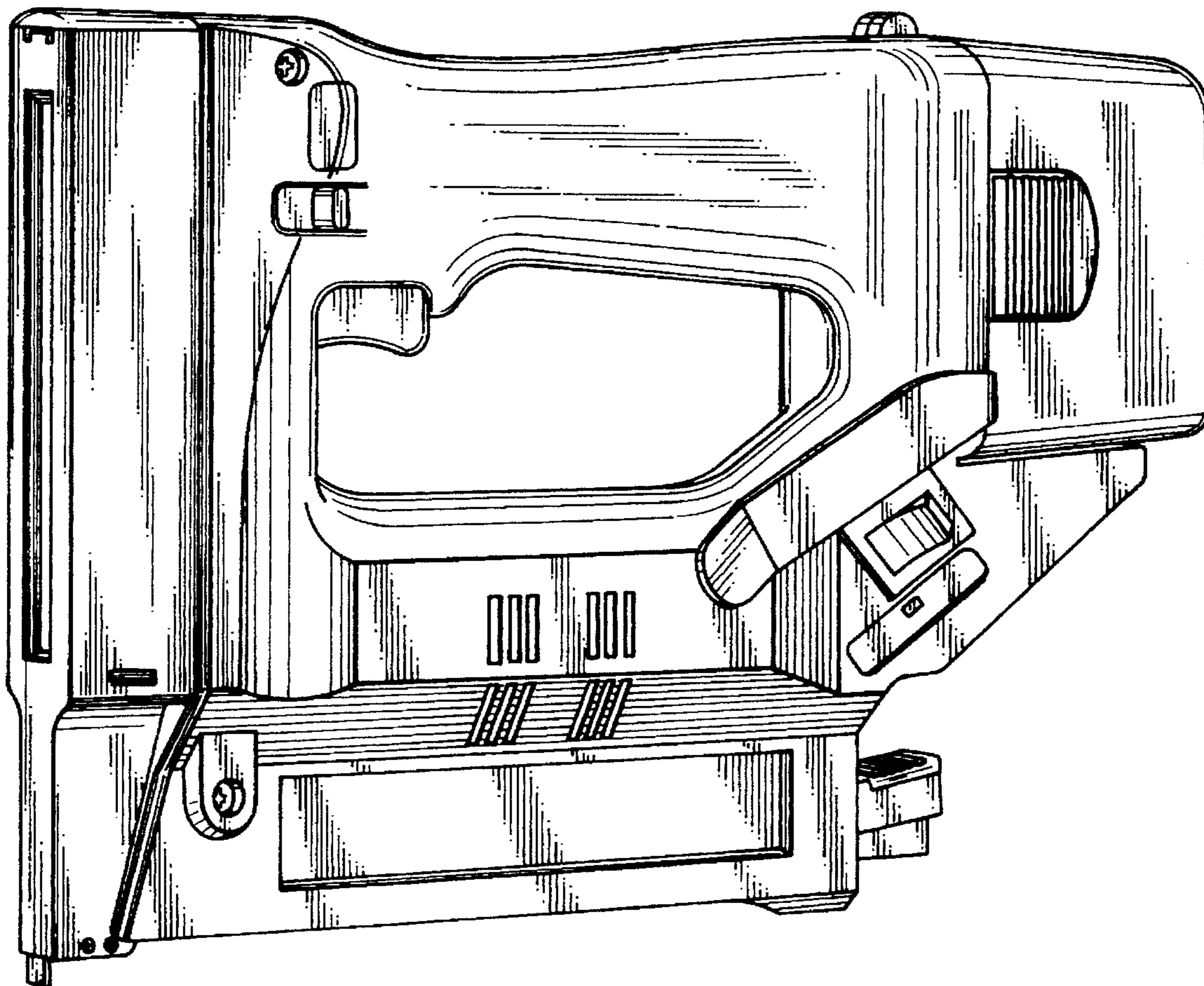
[57] **CLAIM**

The ornamental design for a portable stapling machine, as shown and described.

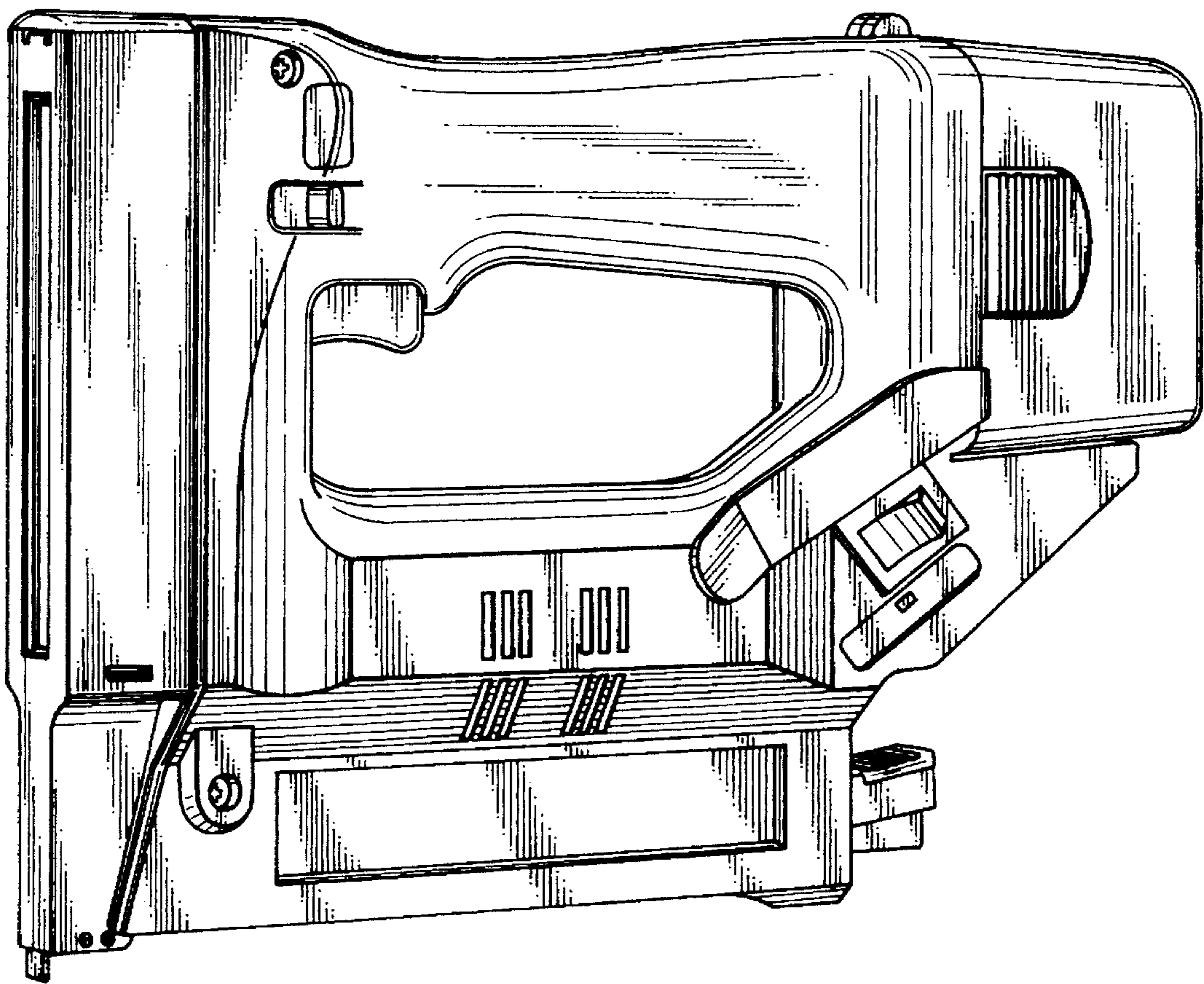
**DESCRIPTION**

FIG. 1 is a front perspective view of a portable stapling machine showing my new design; FIG. 2 is a front view thereof; FIG. 3 is a rear view thereof; FIG. 4 is a top plan view thereof; FIG. 5 is a bottom view thereof; FIG. 6 is a left side view thereof; and, FIG. 7 is a right side view thereof.

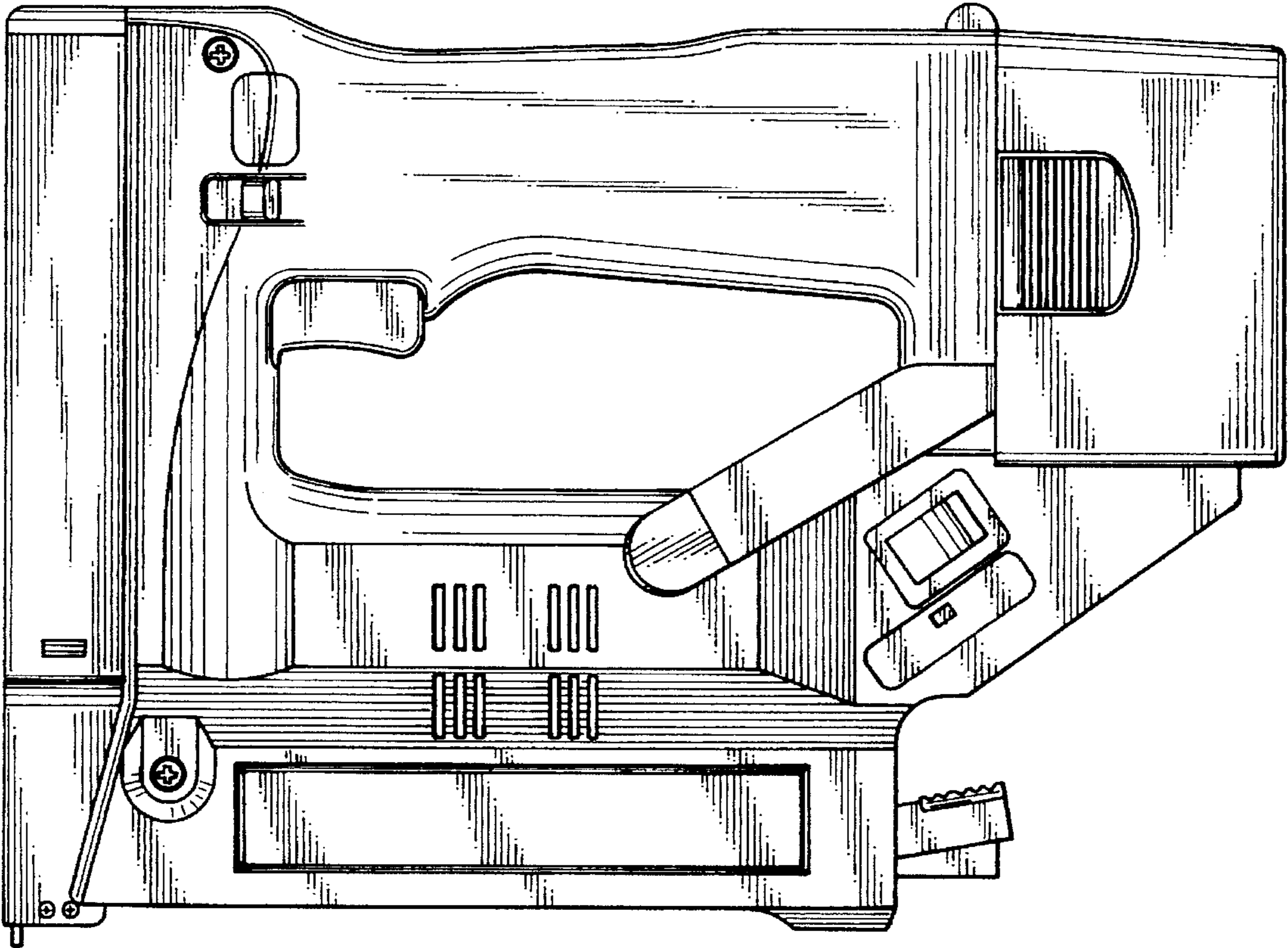
**1 Claim, 5 Drawing Sheets**



*Fig. 1*

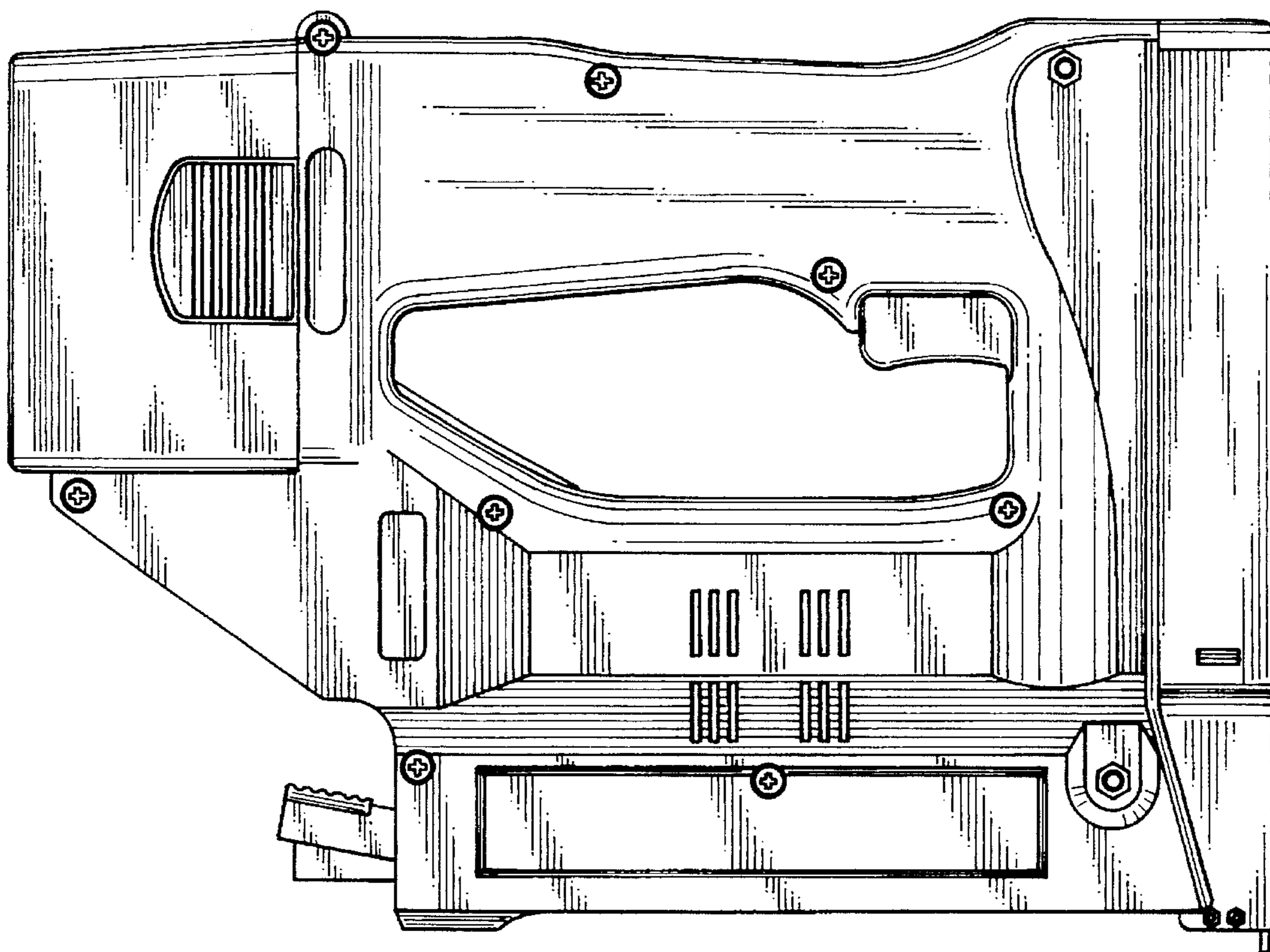


*Fig. 2*

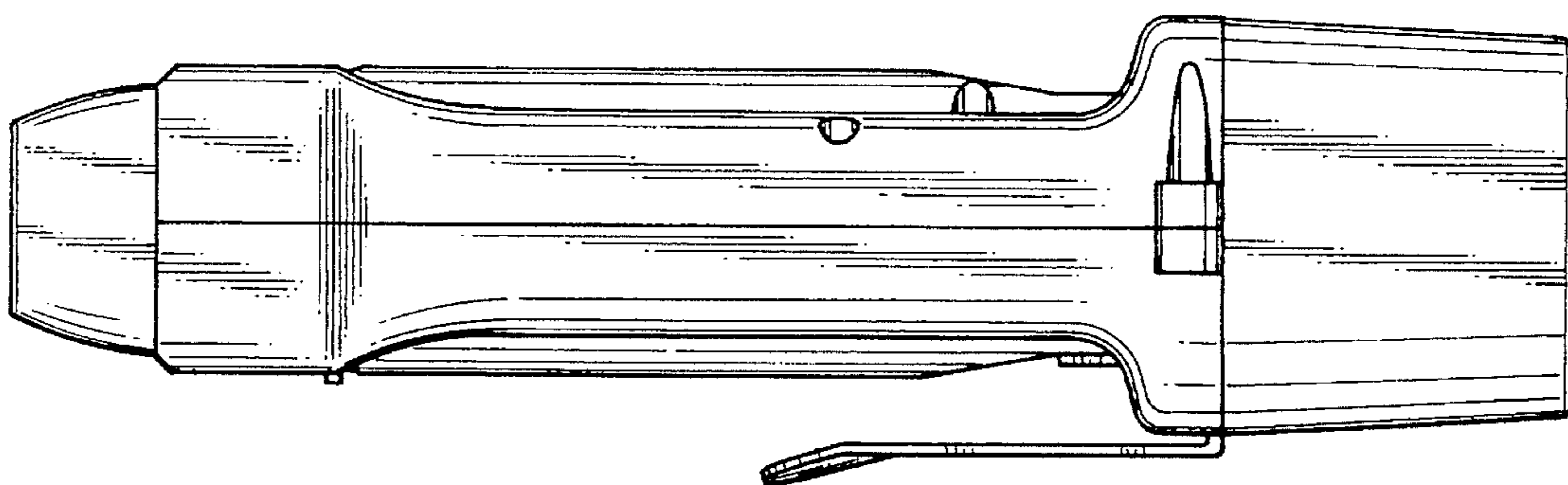




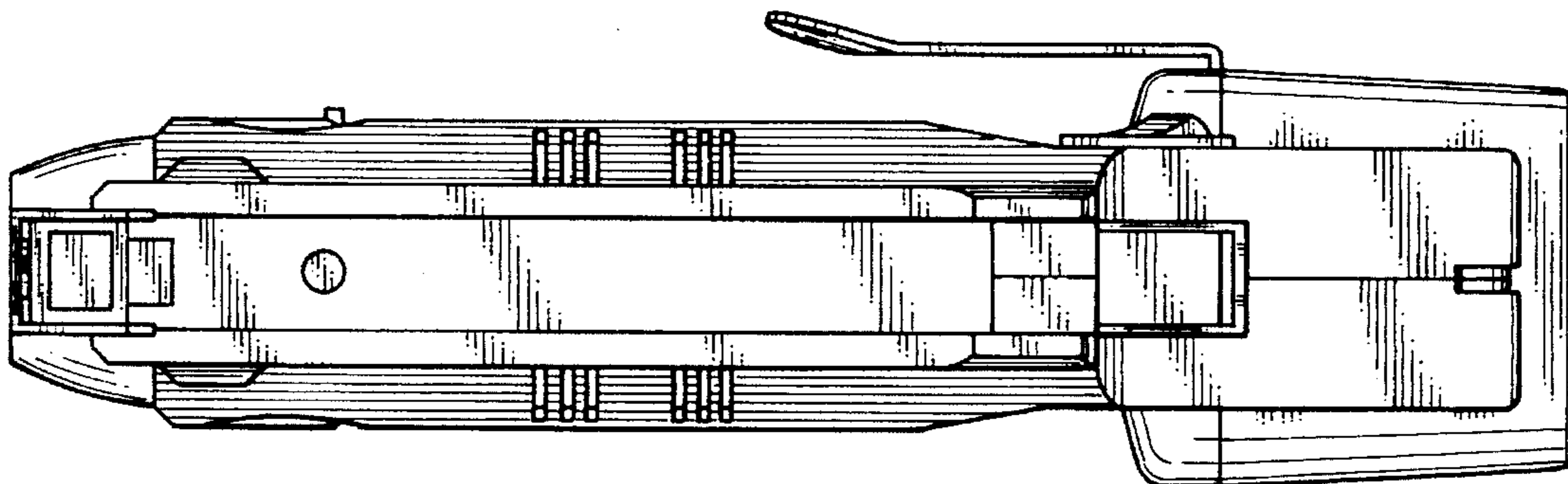
*Fig. 3*



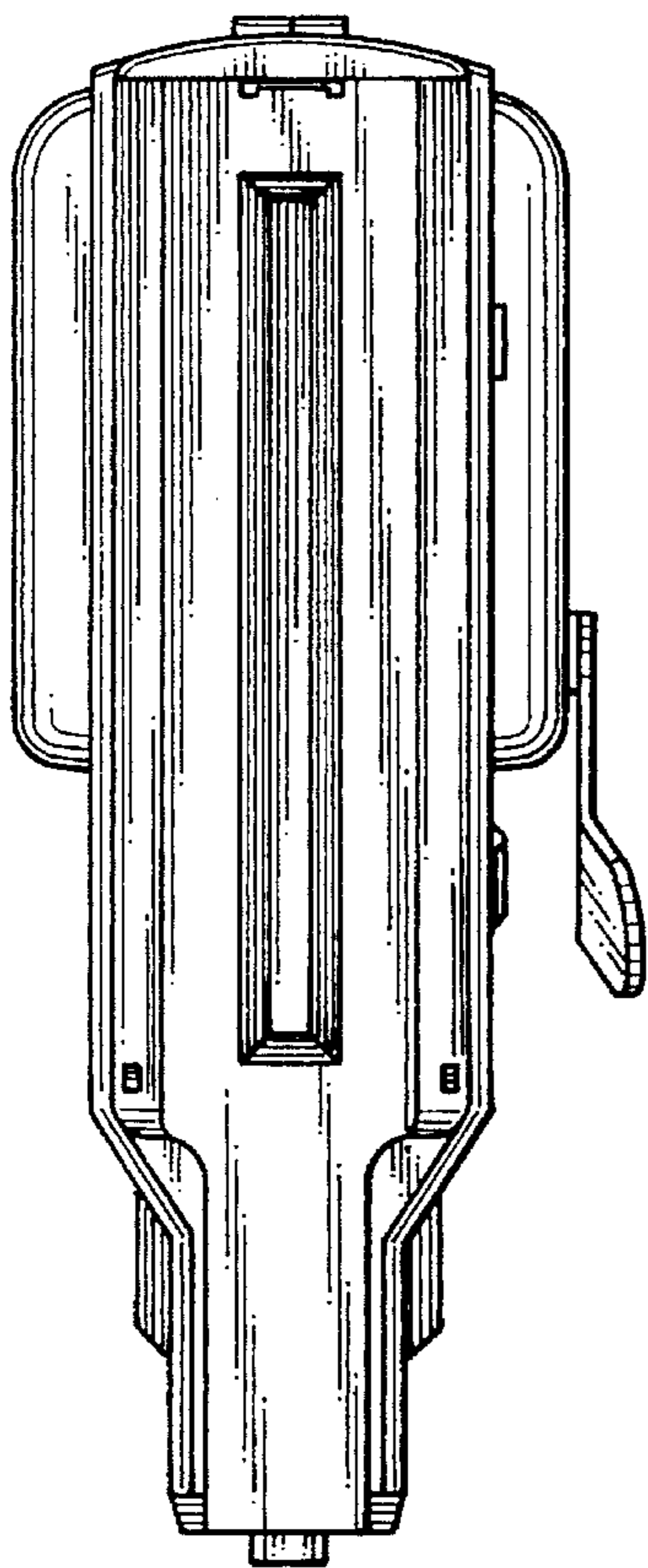
*Fig. 4*



*Fig. 5*



*Fig. 6*



*Fig. 7*

