



US00D376522S

# United States Patent [19]

Tena

[11] Patent Number: **Des. 376,522**

[45] Date of Patent: **\*\*Dec. 17, 1996**

[54] TROWEL

4,467,492 8/1984 Harrington ..... 15/235.4

[76] Inventor: **Rudy D. Tena**, 2123 Dakota, Eugene, Oreg. 97402

*Primary Examiner*—Holly H. Baynham  
*Attorney, Agent, or Firm*—Harold H. Dutton, Jr.; W. Charles L. Jamison; Diane F. Liebman

[\*\*] Term: **14 Years**

[57] **CLAIM**

[21] Appl. No.: **35,873**

The ornamental design for a trowel, as shown.

[22] Filed: **Mar. 8, 1995**

**DESCRIPTION**

[52] U.S. Cl. .... **D8/45**

[58] Field of Search ..... D8/45, 107; 15/235.4; 16/110 R

FIG. 1 is a perspective view of a trowel showing my new design;

FIG. 2 is a front view thereof;

FIG. 3 is a rear view thereof;

FIG. 4 is a top view thereof;

FIG. 5 is a bottom view thereof;

FIG. 6 is a right end view thereof; and,

FIG. 7 is a left end view thereof.

[56] **References Cited**

**U.S. PATENT DOCUMENTS**

D. 238,652	2/1976	Haivala et al. ....	D8/45
D. 289,882	5/1987	Gringer .....	D8/45
D. 296,294	6/1988	Neece .....	D8/45
1,055,406	3/1913	Mason et al. ....	D8/45 X
2,076,836	4/1937	Goldblatt .....	15/235.4

**1 Claim, 4 Drawing Sheets**

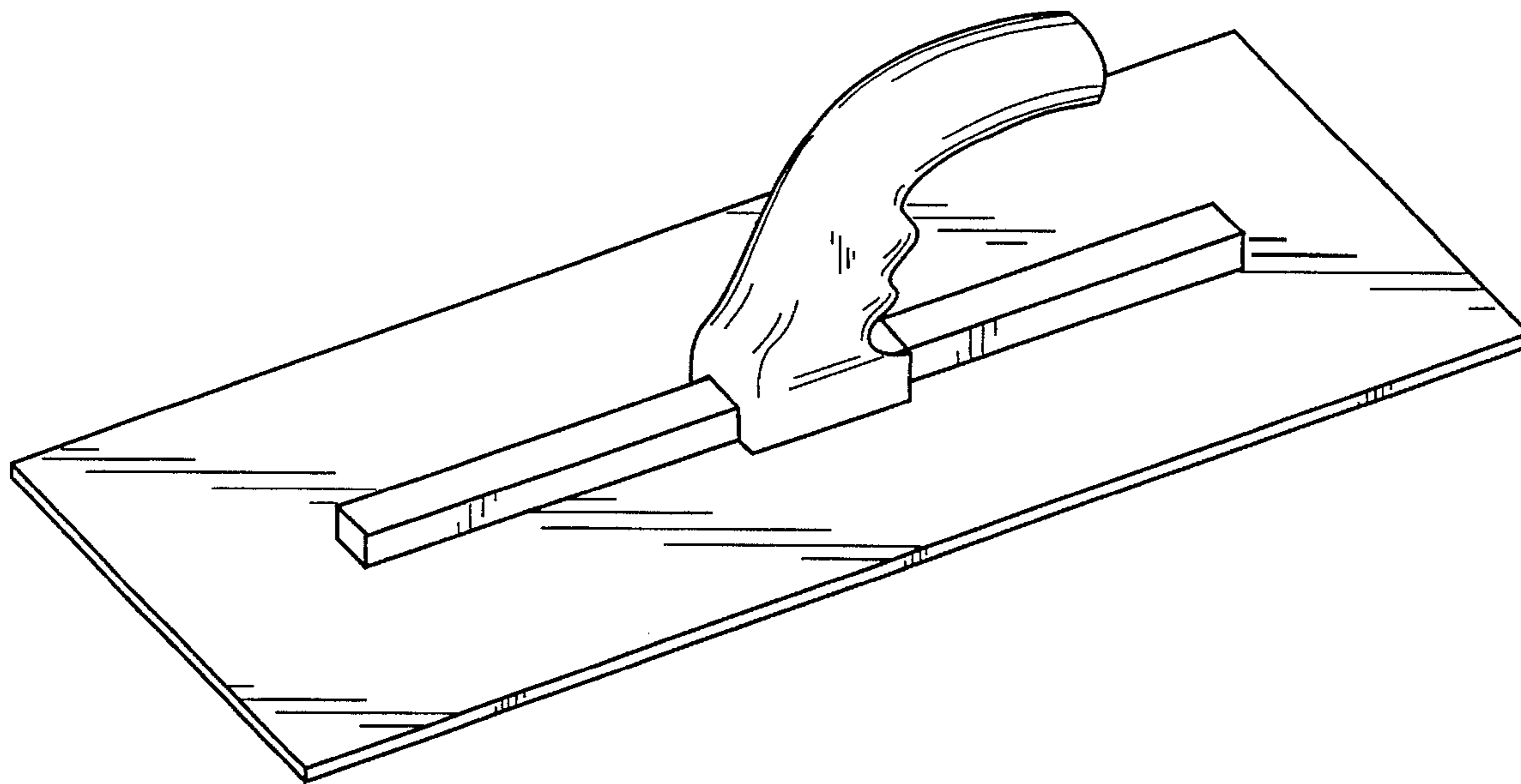


FIG. 1

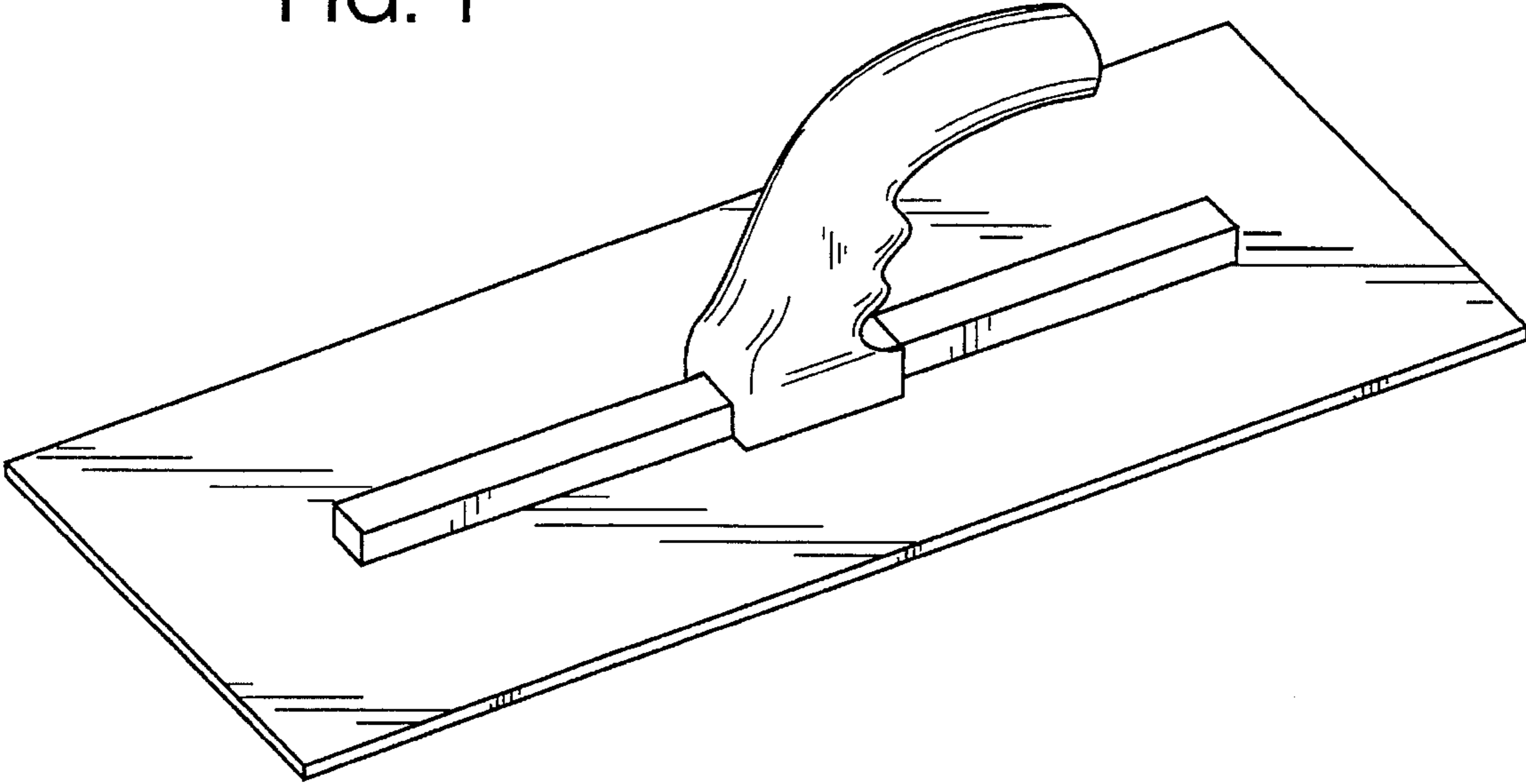


FIG. 2

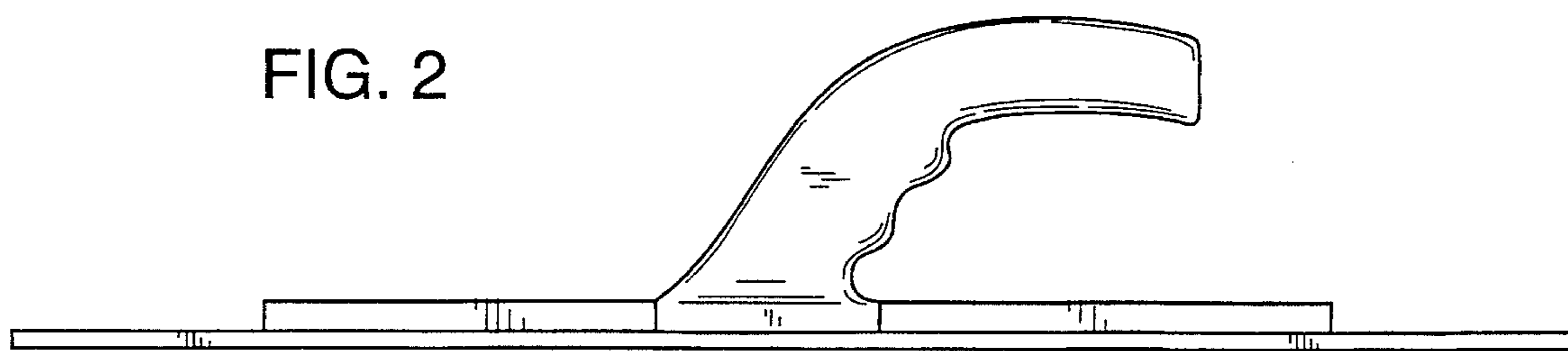
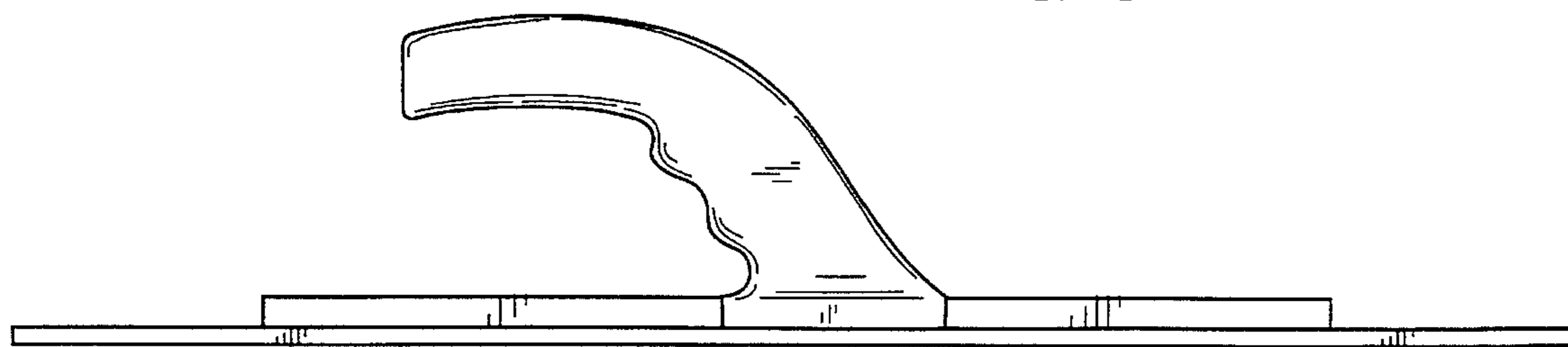


FIG. 3



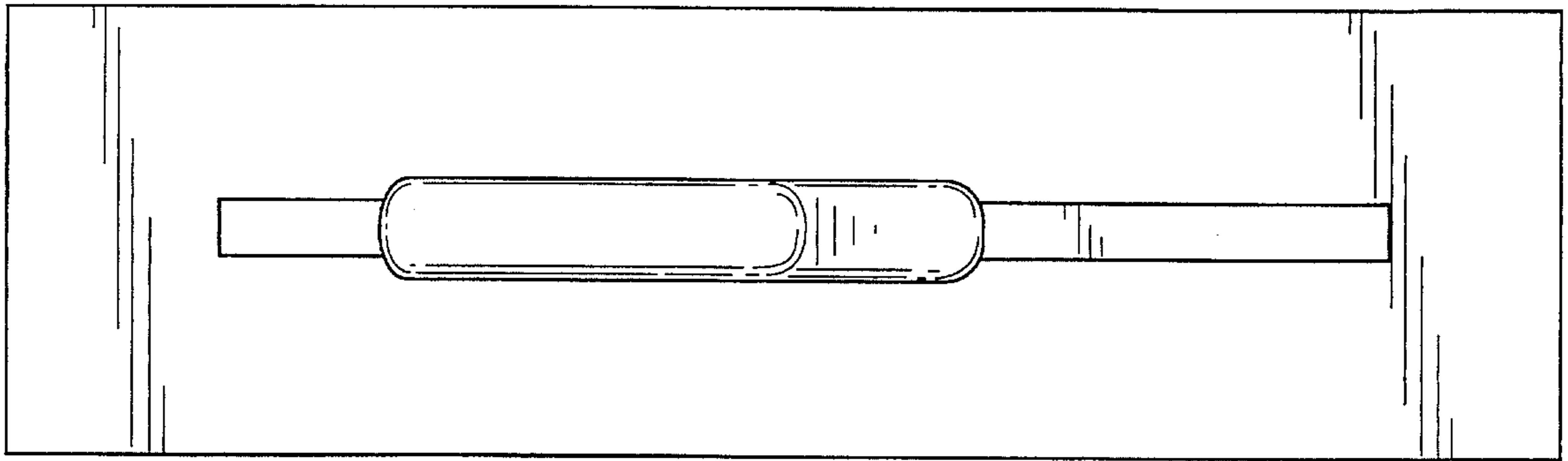


FIG. 4

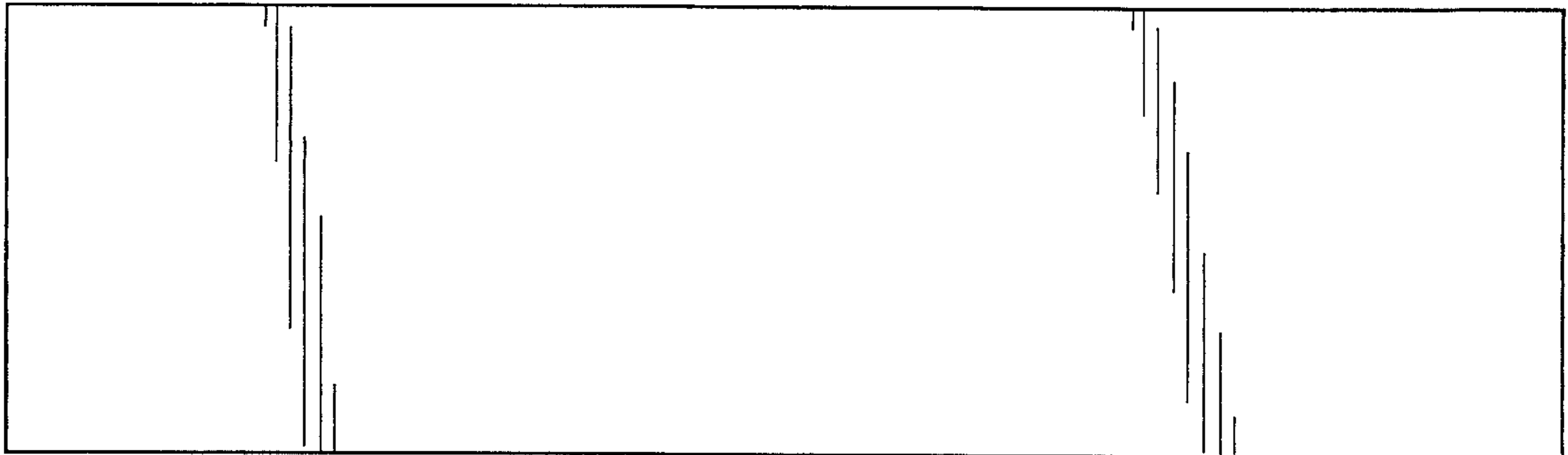


FIG. 5

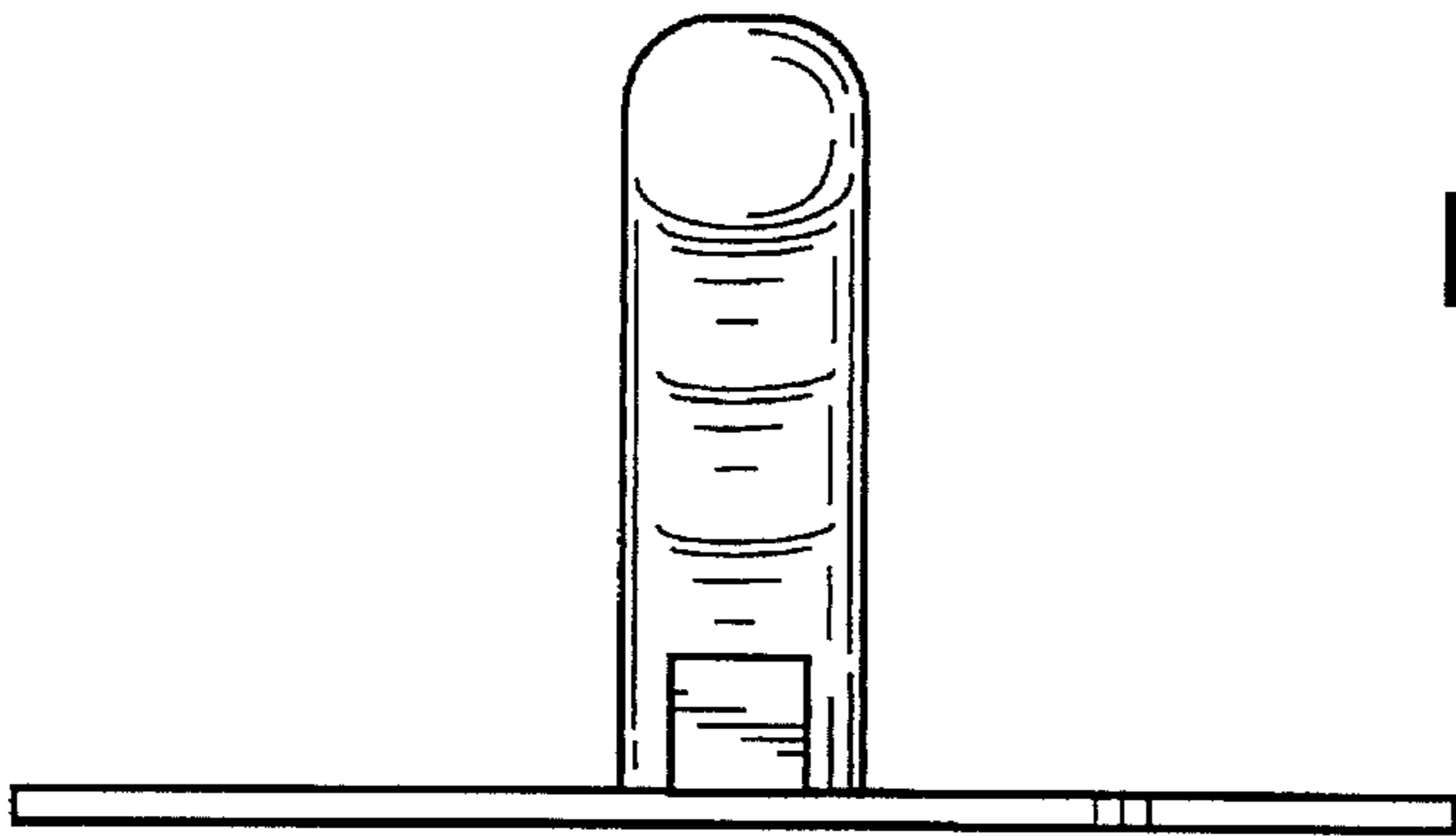


FIG. 6

FIG. 7

