



US00D376521S

United States Patent [19]

[11] Patent Number: **Des. 376,521**

Farnan et al.

[45] Date of Patent: ****Dec. 17, 1996**

[54] UNIVERSAL BASIN SOCKET

[76] Inventors: **Robert J. Farnan**, 1919 Spruce Creek Cir. No., Saytona Beach, Fla. 32124;
Richard J. Farnan, 2754 Glenwood Ave., New Smyrna Beach, Fla. 32069

[**] Term: **14 Years**

[21] Appl. No.: **38,013**

[22] Filed: **Apr. 26, 1995**

[52] U.S. Cl. **D8/29**

[58] Field of Search D8/21-29; 81/119, 81/121.1, 124.2, 125, DIG. 8

[56] References Cited

U.S. PATENT DOCUMENTS

445,451	1/1891	Miller .	
842,039	1/1907	Walt .	
1,434,401	11/1922	Mueller .	
2,502,587	4/1950	Phipps .	
2,574,156	11/1951	Pechacek .	
2,708,855	5/1955	Fish	81/DIG. 8 X
3,039,339	6/1962	Hanson .	
3,086,414	4/1963	Nardi .	
3,768,345	10/1973	Barnes	D8/29 X
3,802,303	4/1974	Evans et al.	81/119 X
5,048,378	9/1991	Nikolas .	
5,050,463	9/1991	Stielow .	

OTHER PUBLICATIONS

Jo Manufacturing Company, Jun. 1946, Crowfoot Head.
Snap-On Tools, Jul. 1993 Catalog, p. 48, Deep Flare Nut.
Snap-On Tools, Jul. 1993 Catalog, p. E83, WMS1.
"Crowfoot Wrenches & 3/8" Square Drive Ratchets" and Fuel Management, *MAC Tools: Tools For The World Class Technician* Catalog, Jun. 1992, pp. 53, 307.
"3/8" Flank Drive® Crowfoot Wrenches" and 1/2" Crowfoot Wrenches, *Snap-on Quality Tools Catalog, Jul. 1993, pp. 67, 86.*

Primary Examiner—B. J. Bullock
Assistant Examiner—Richelle Shelton
Attorney, Agent, or Firm—Allen, Dyer, Doppelt, Franjola & Milbrath, P.A.

[57] CLAIM

The ornamental design for a universal basin socket, as shown and described.

DESCRIPTION

FIG. 1 is a top, left, front perspective view of a universal basin socket showing our new design;
FIG. 2 is a rear elevational view thereof;
FIG. 3 is a front elevational view thereof;
FIG. 4 is a left side elevational view thereof;
FIG. 5 is a top plan view thereof;
FIG. 6 is a bottom plan view thereof;
FIG. 7 is a top, right, rear perspective view of a second embodiment of the basin socket of FIG. 1;
FIG. 8 is a front elevational view of the embodiment of FIG. 7;
FIG. 9 is a left side elevational view of the embodiment of FIG. 7;
FIG. 10 is a top plan view of the embodiment of FIG. 7;
FIG. 11 is a bottom plan view of the embodiment of FIG. 7;
FIG. 12 is a right side elevational view of FIG. 7;
FIG. 13 is a rear elevational view of the embodiment of FIG. 7;
FIG. 14 is a top, right, front perspective view of a third embodiment of the basin socket of FIG. 1;
FIG. 15 is a rear elevational view of the embodiment of FIG. 14;
FIG. 16 is a right side elevational view of the embodiment of FIG. 12;
FIG. 17 is a left side elevational view of the embodiment of FIG. 14;
FIG. 18 is a top plan view of the embodiment of FIG. 14; and,
FIG. 19 is a bottom plan view of the embodiment of FIG. 14.

1 Claim, 2 Drawing Sheets

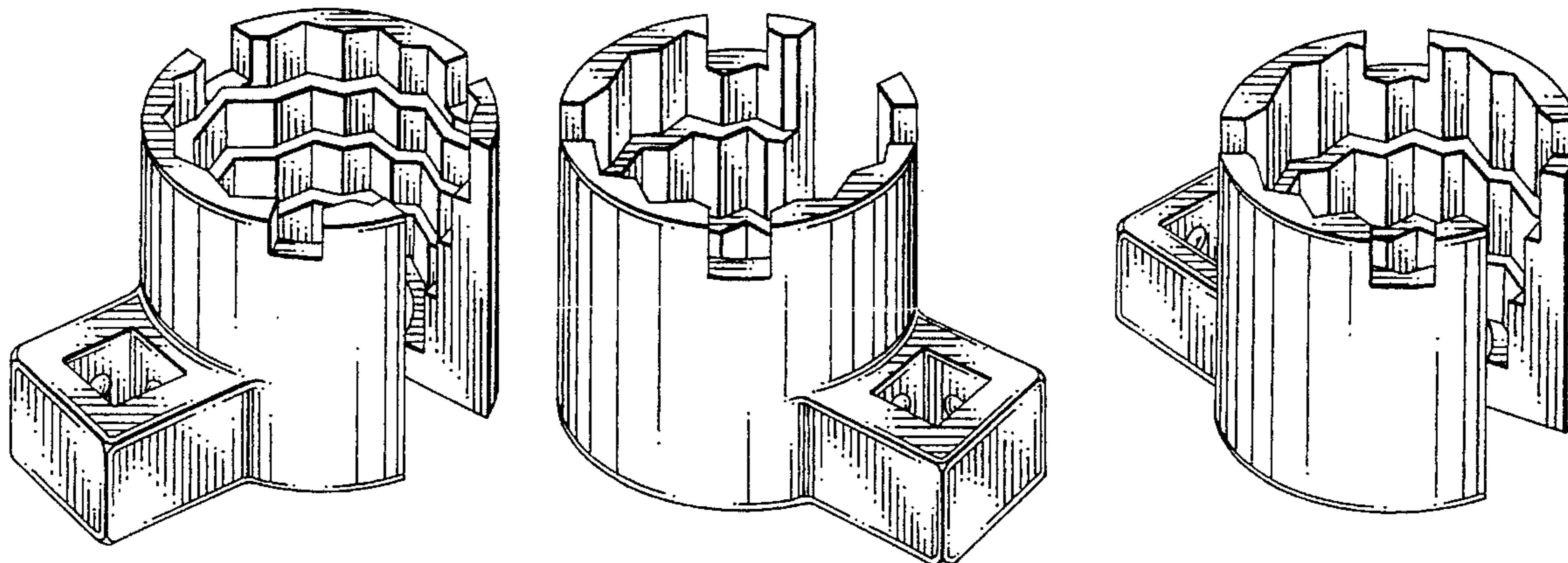


FIG. 1

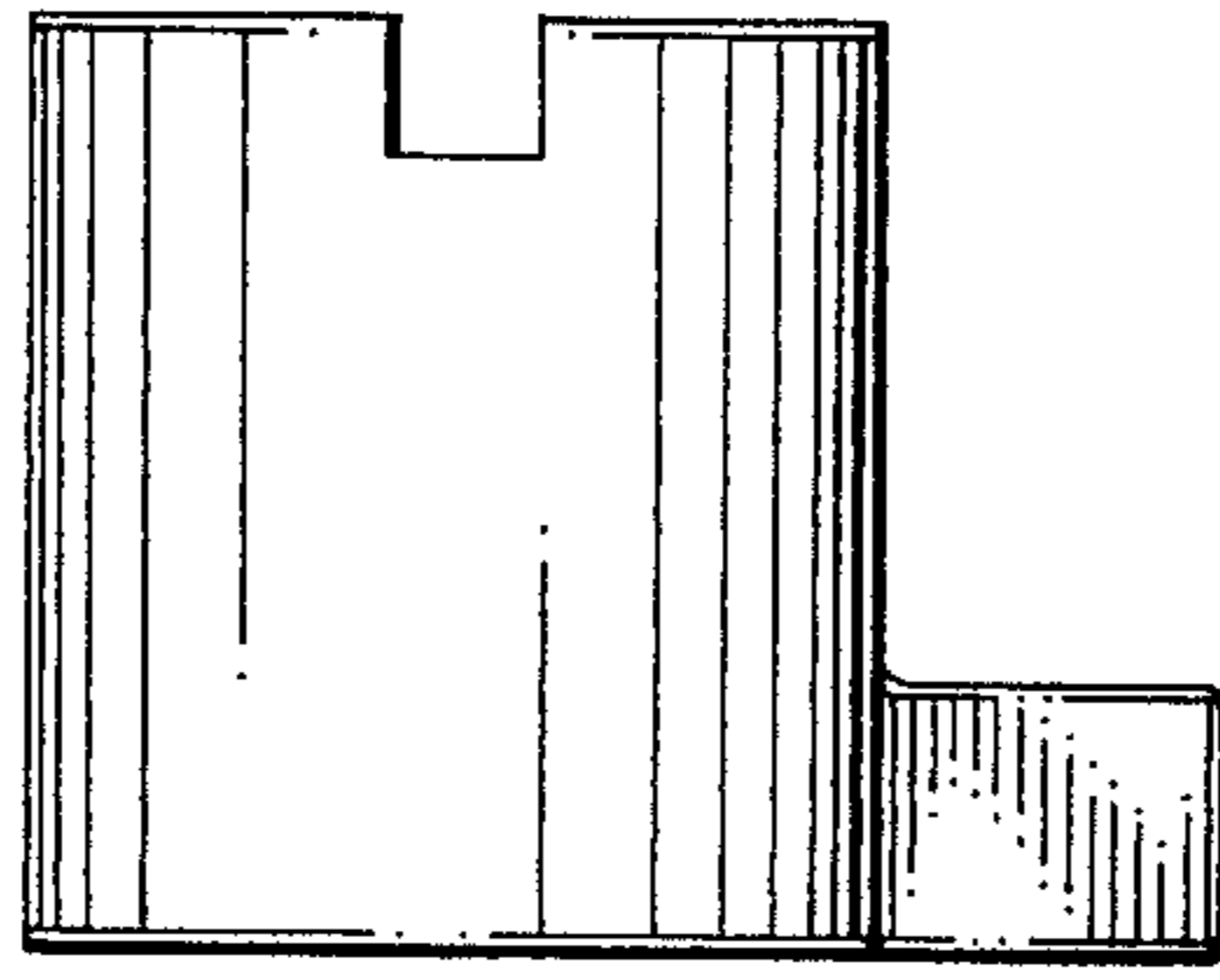
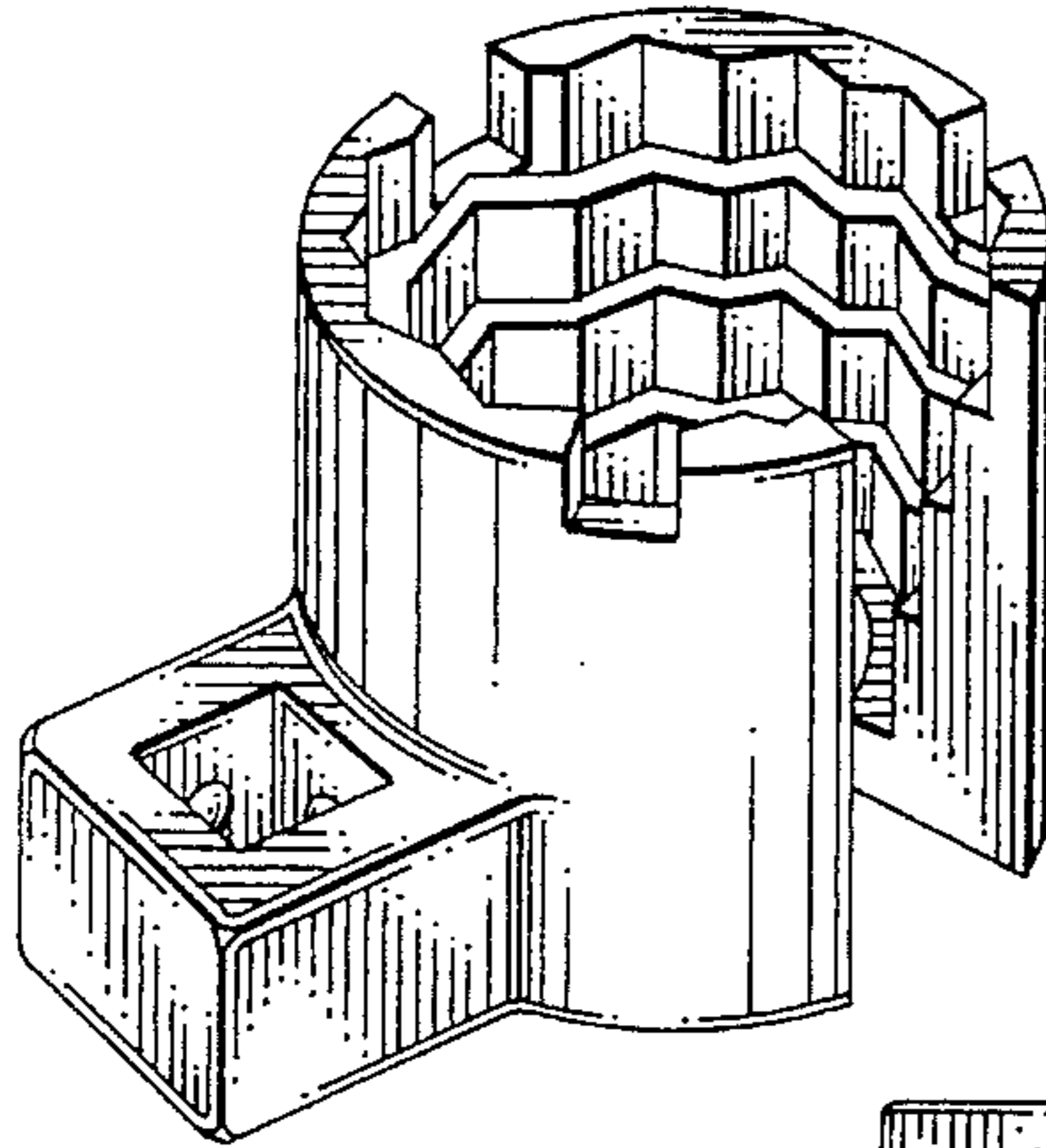


FIG. 2

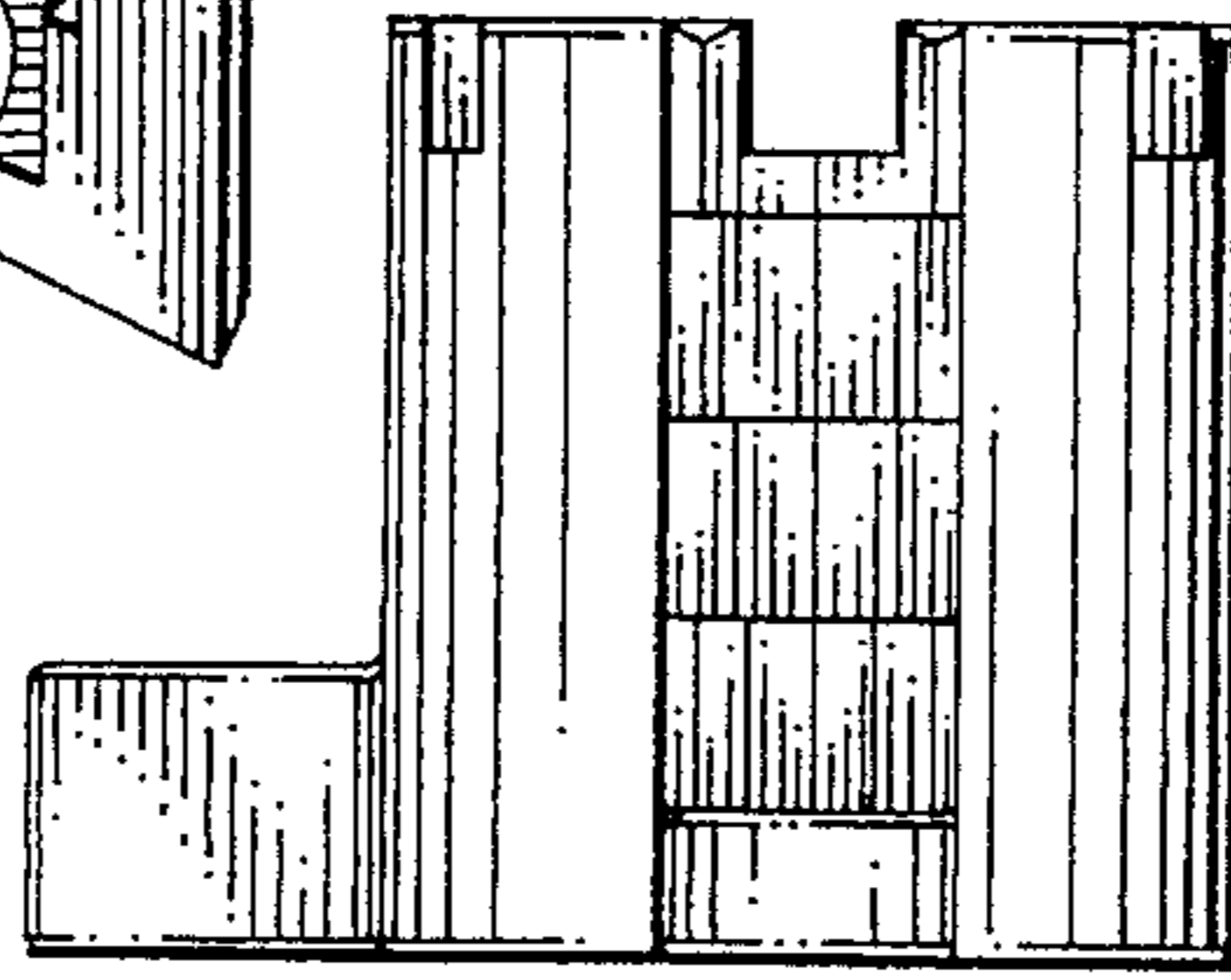


FIG. 3

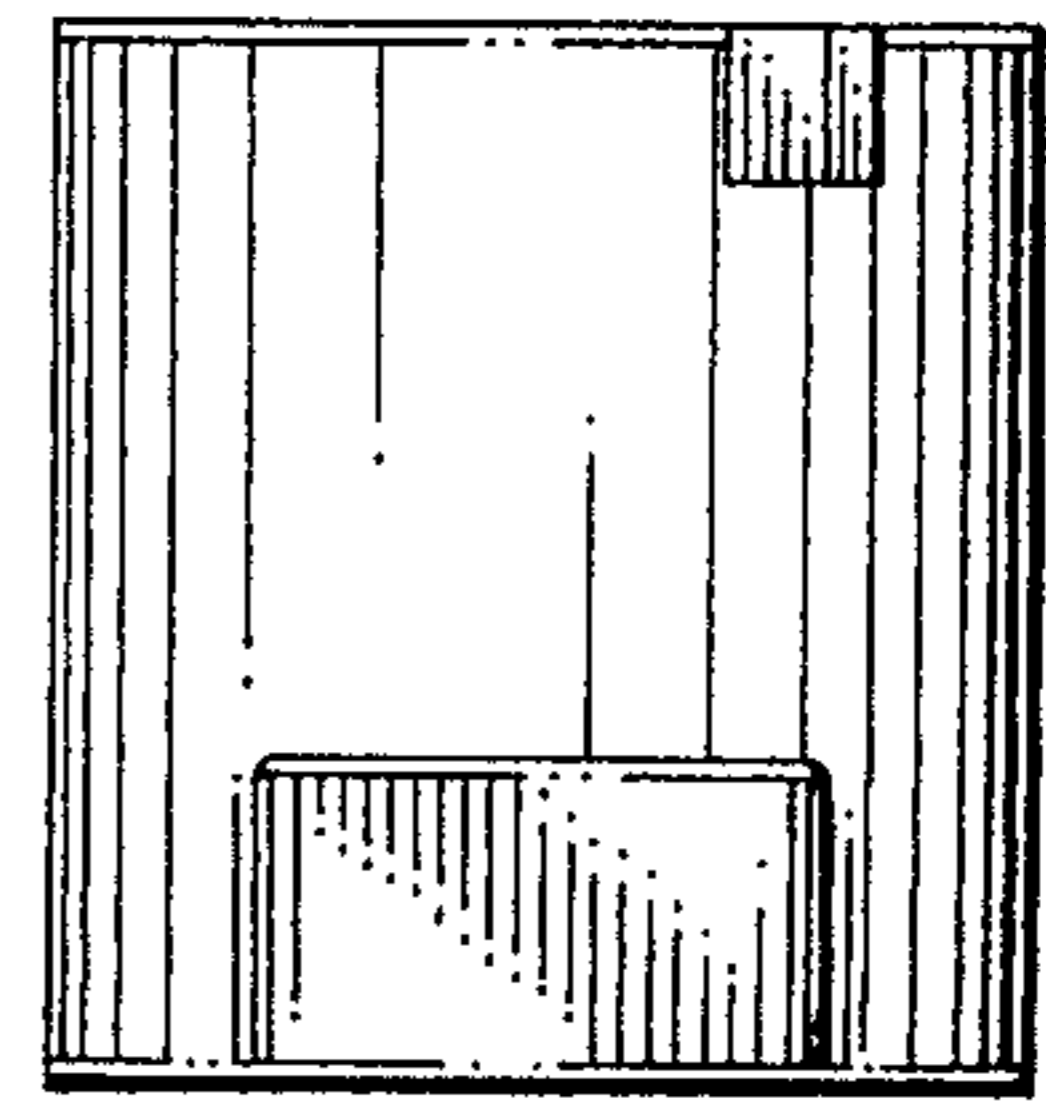


FIG. 4

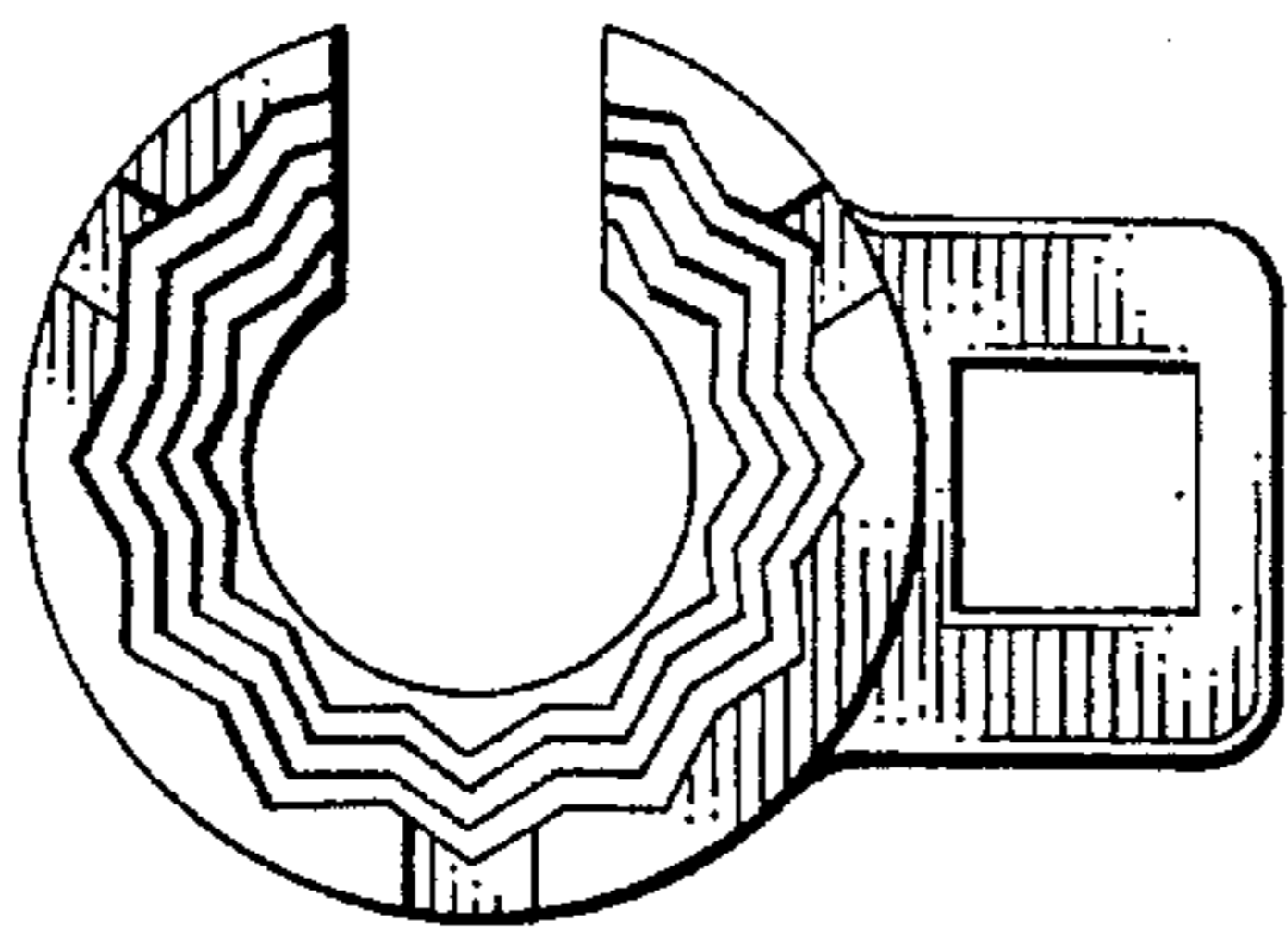


FIG. 5

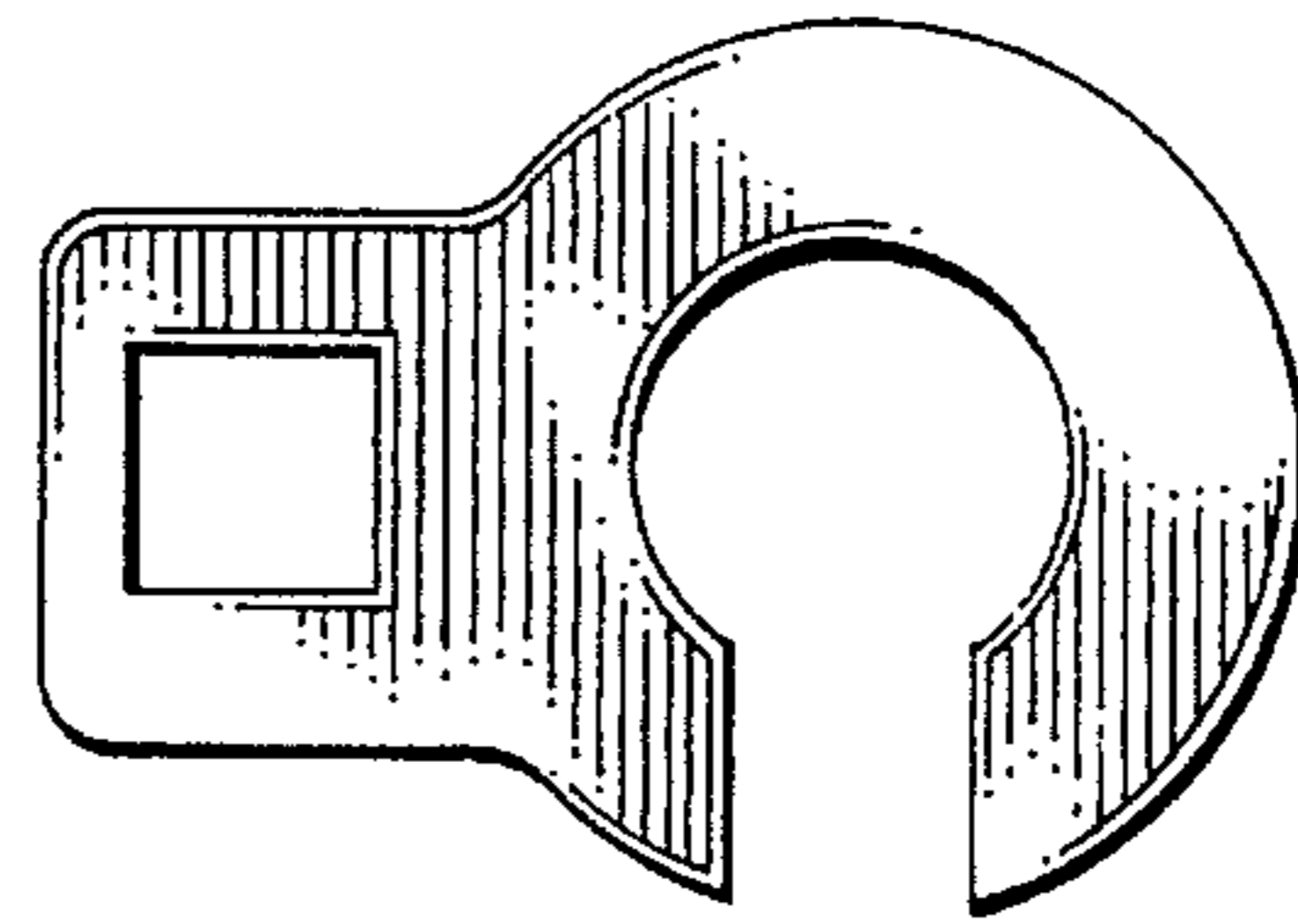


FIG. 6

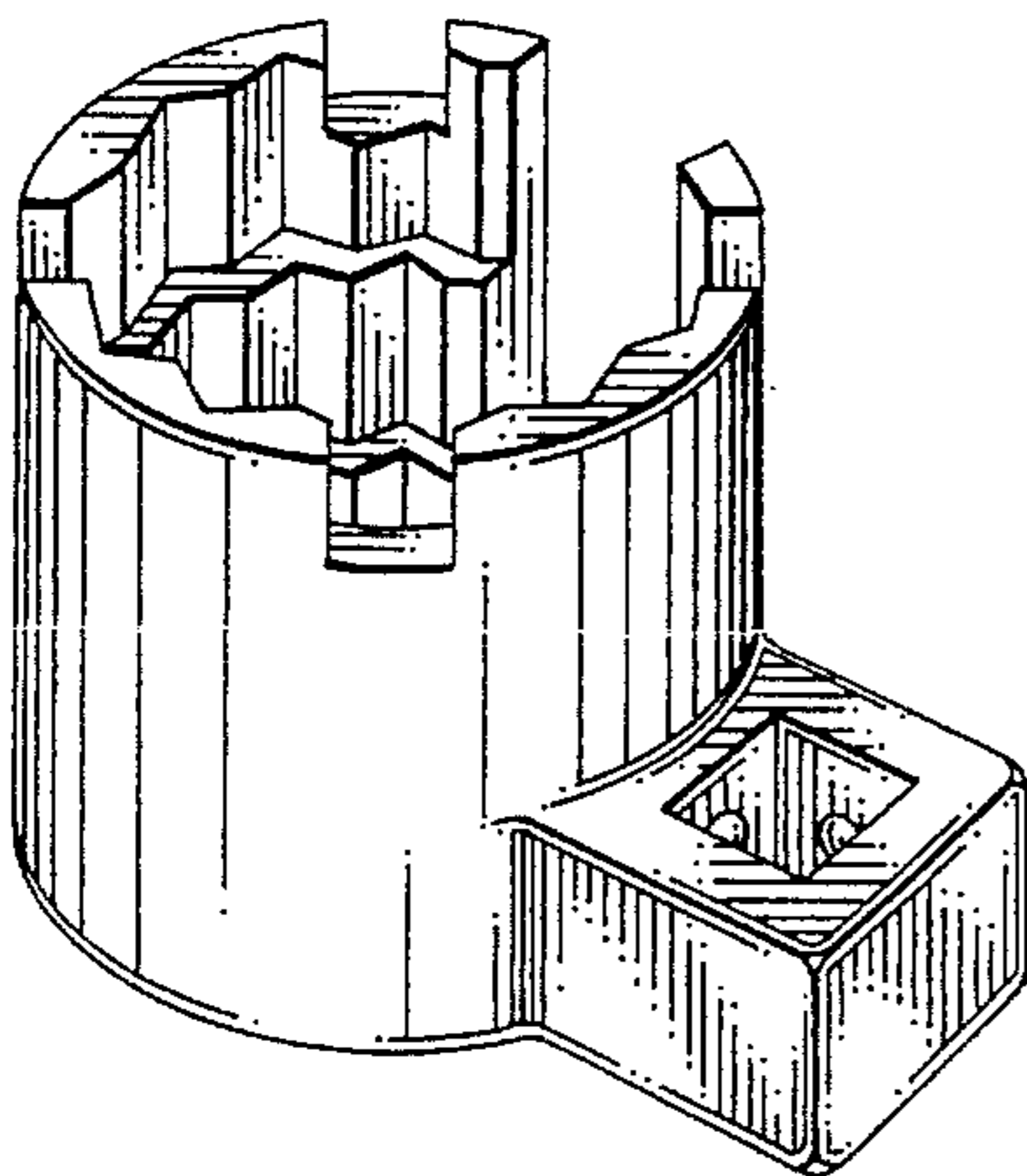


FIG. 7

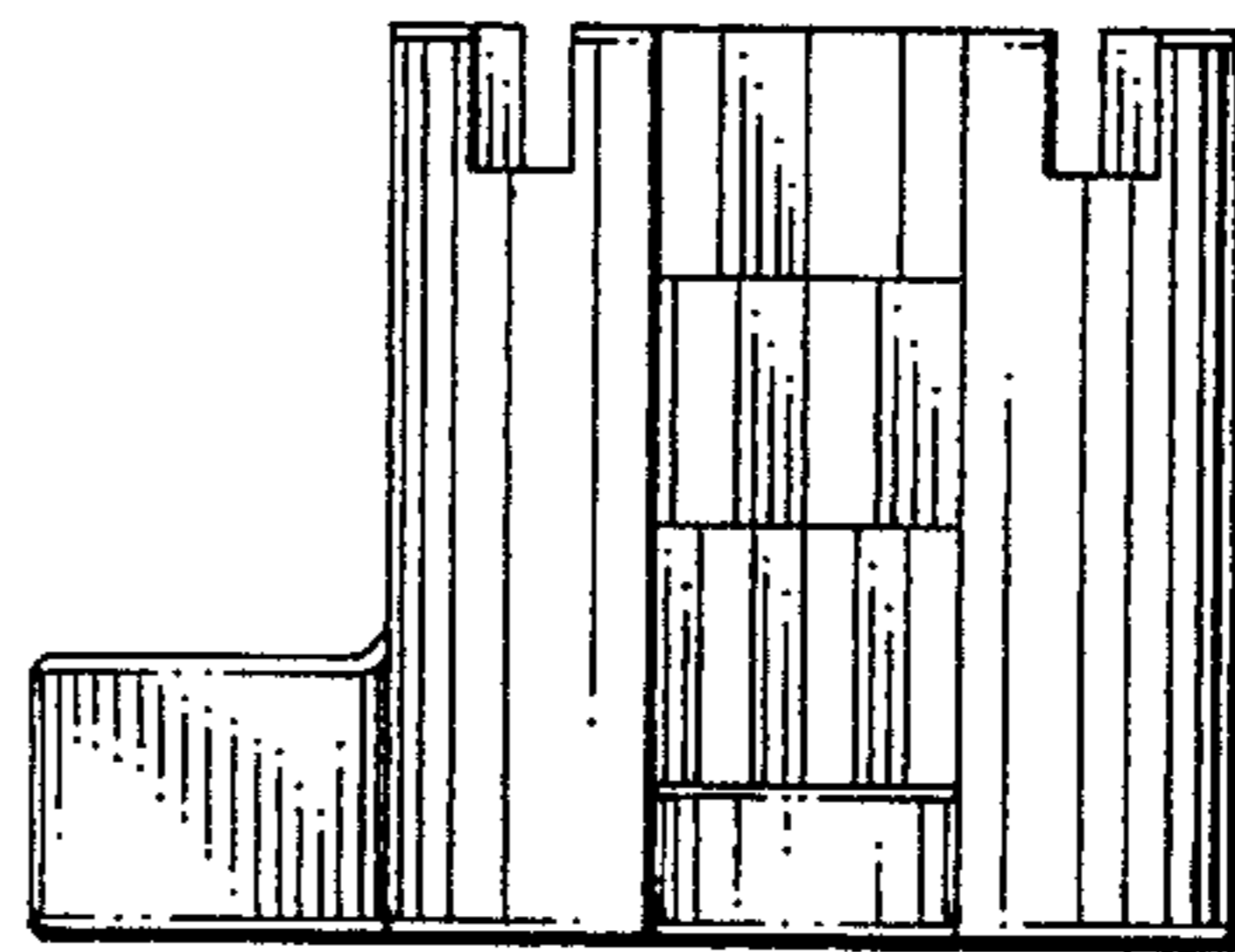


FIG. 8

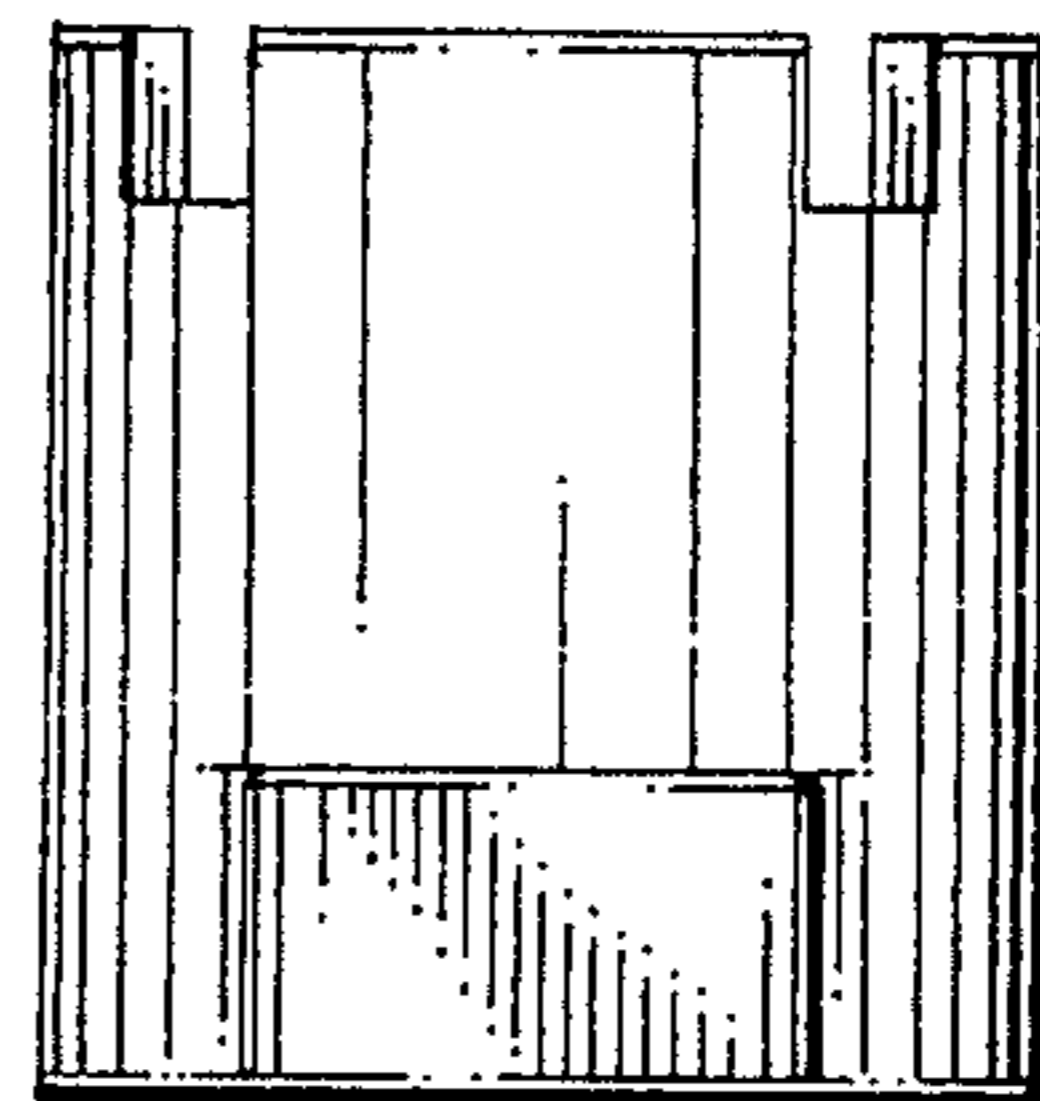


FIG. 9

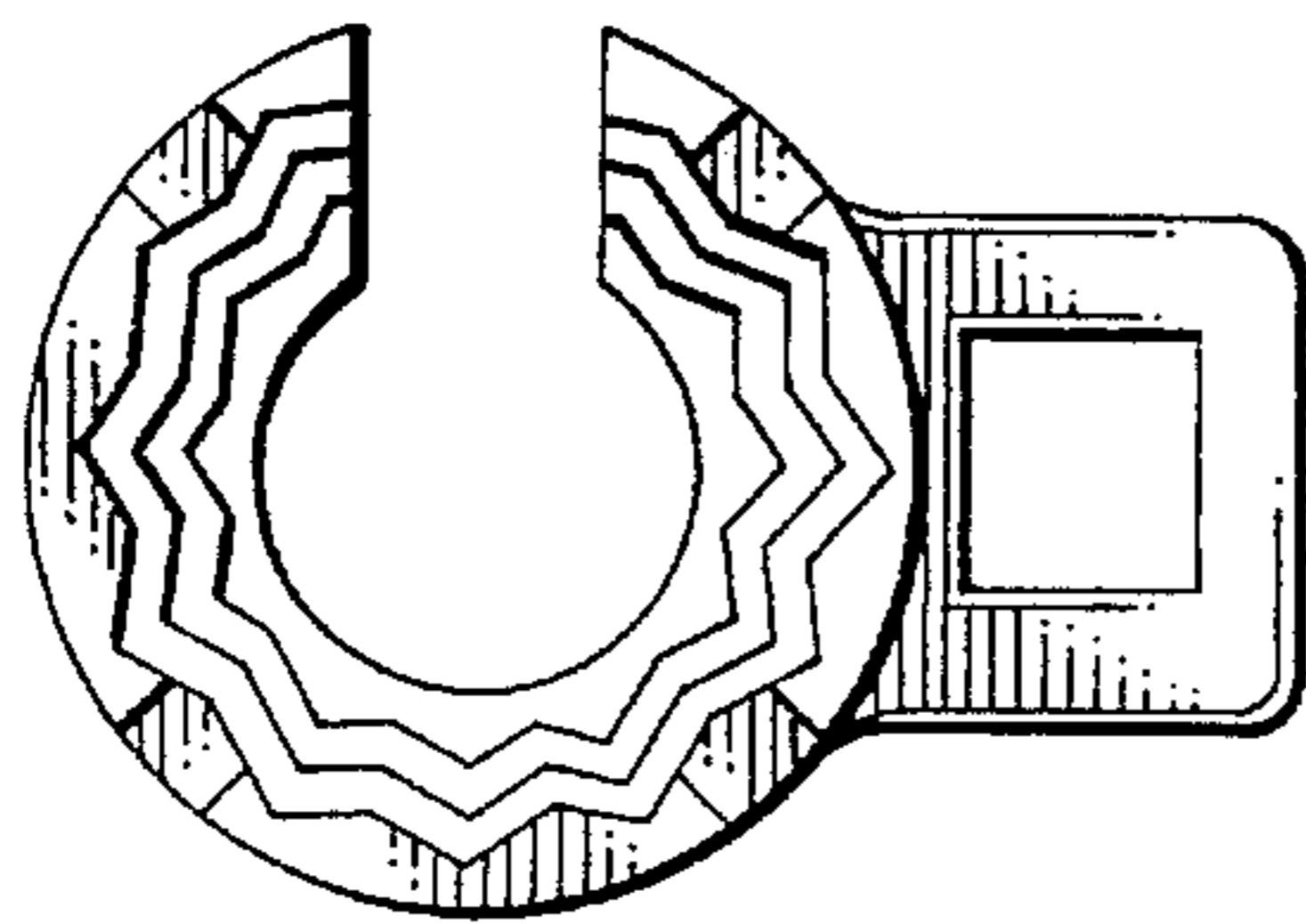


FIG. 10

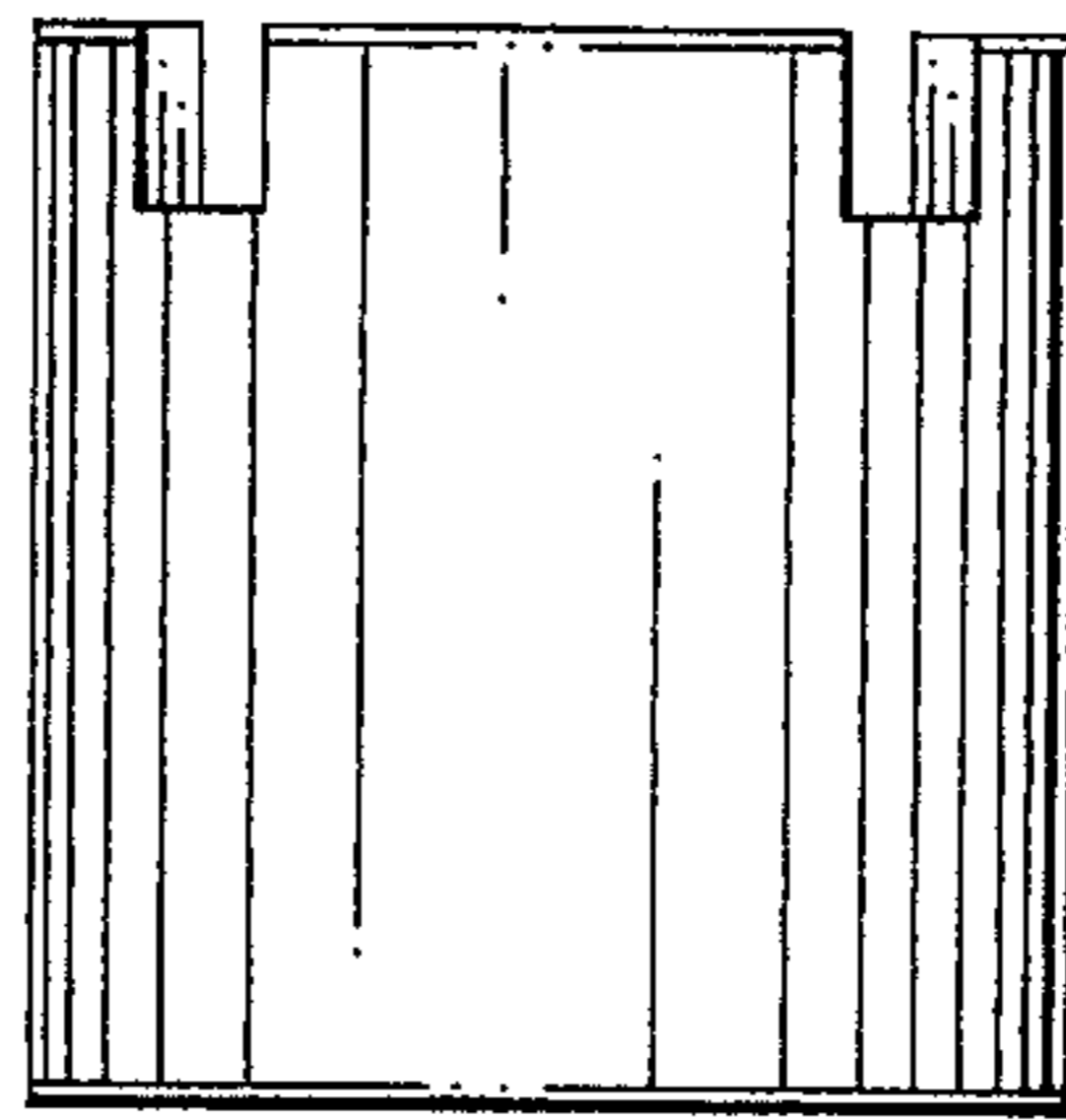


FIG. 12

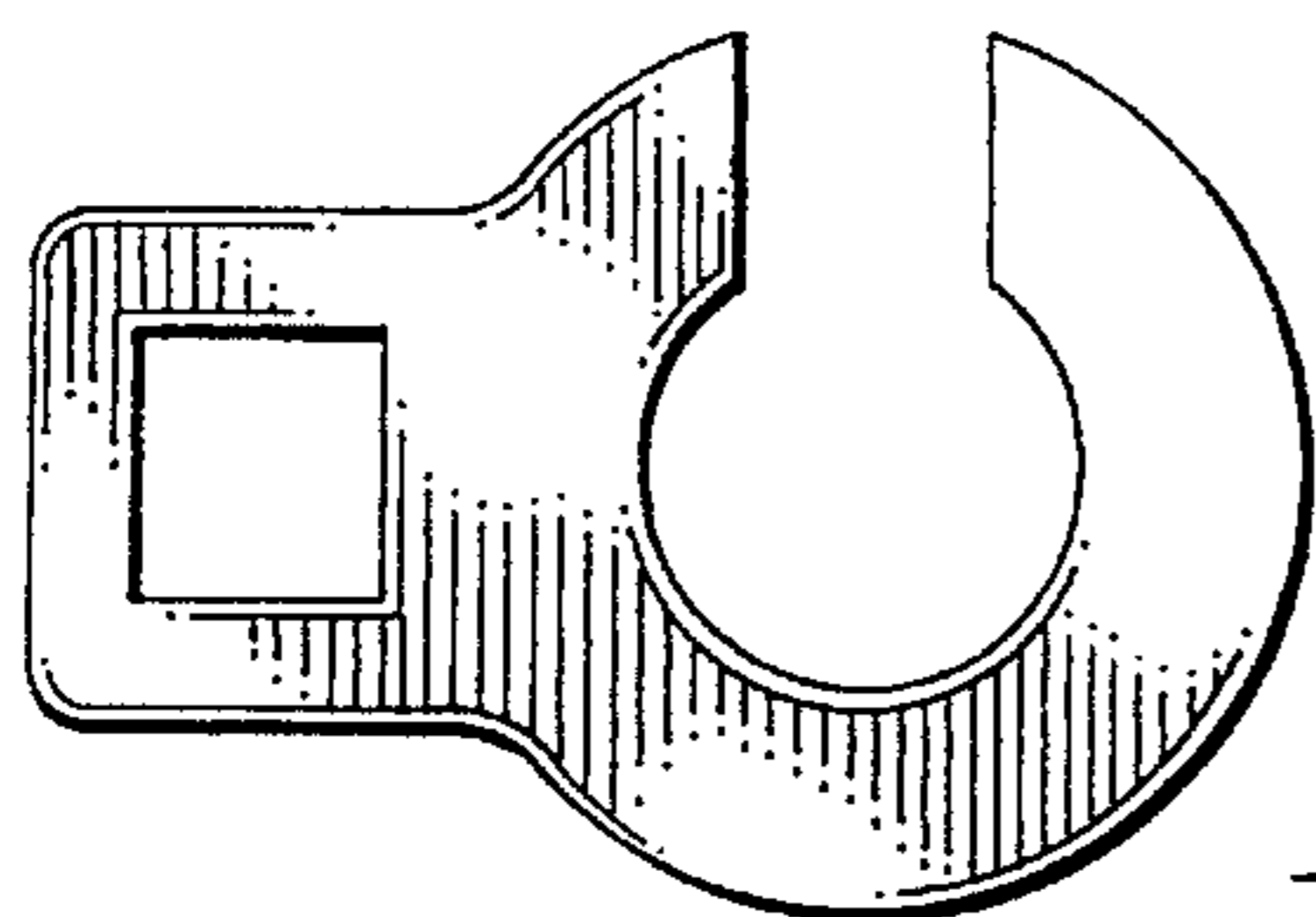


FIG. 11

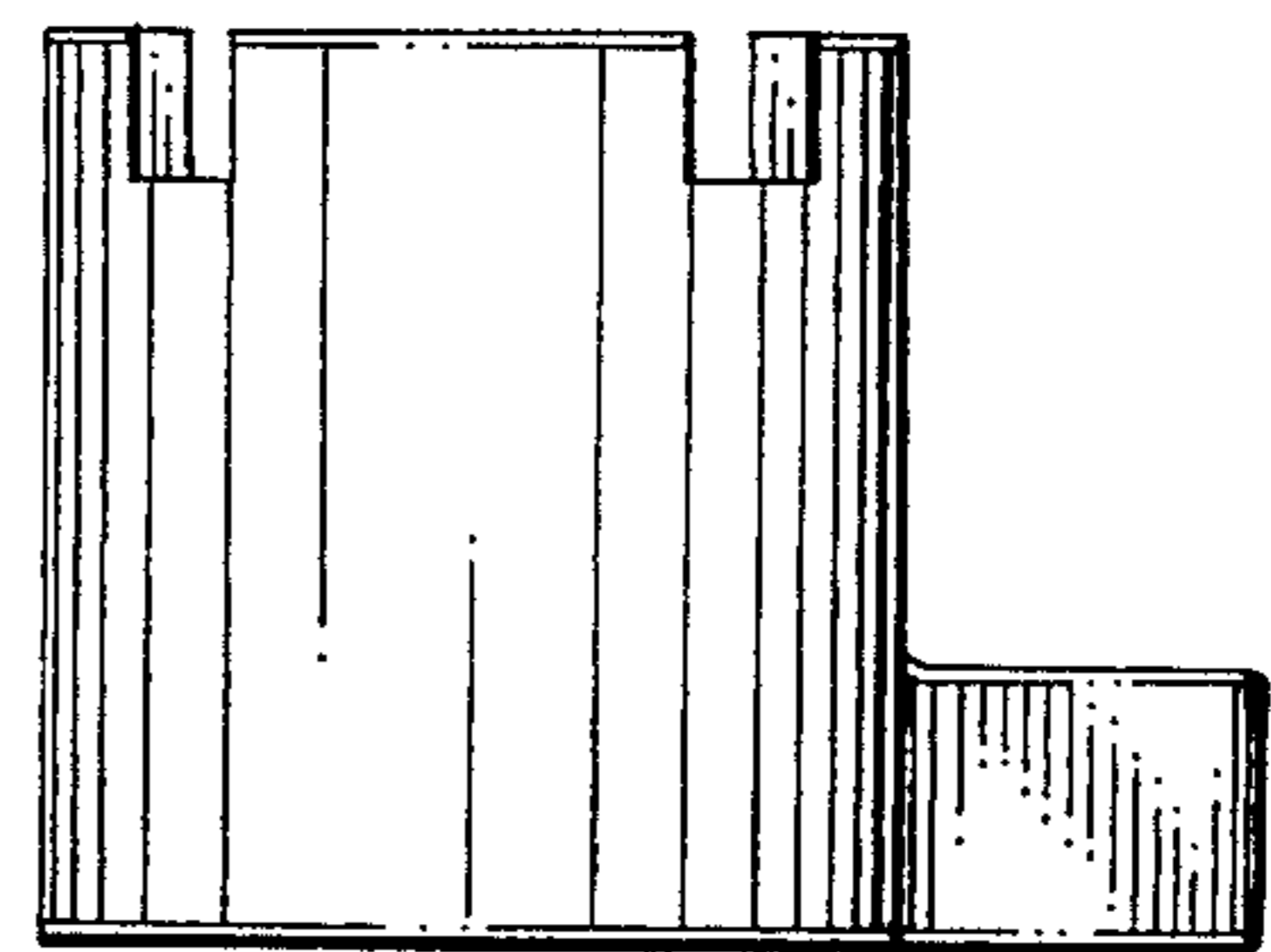


FIG. 13

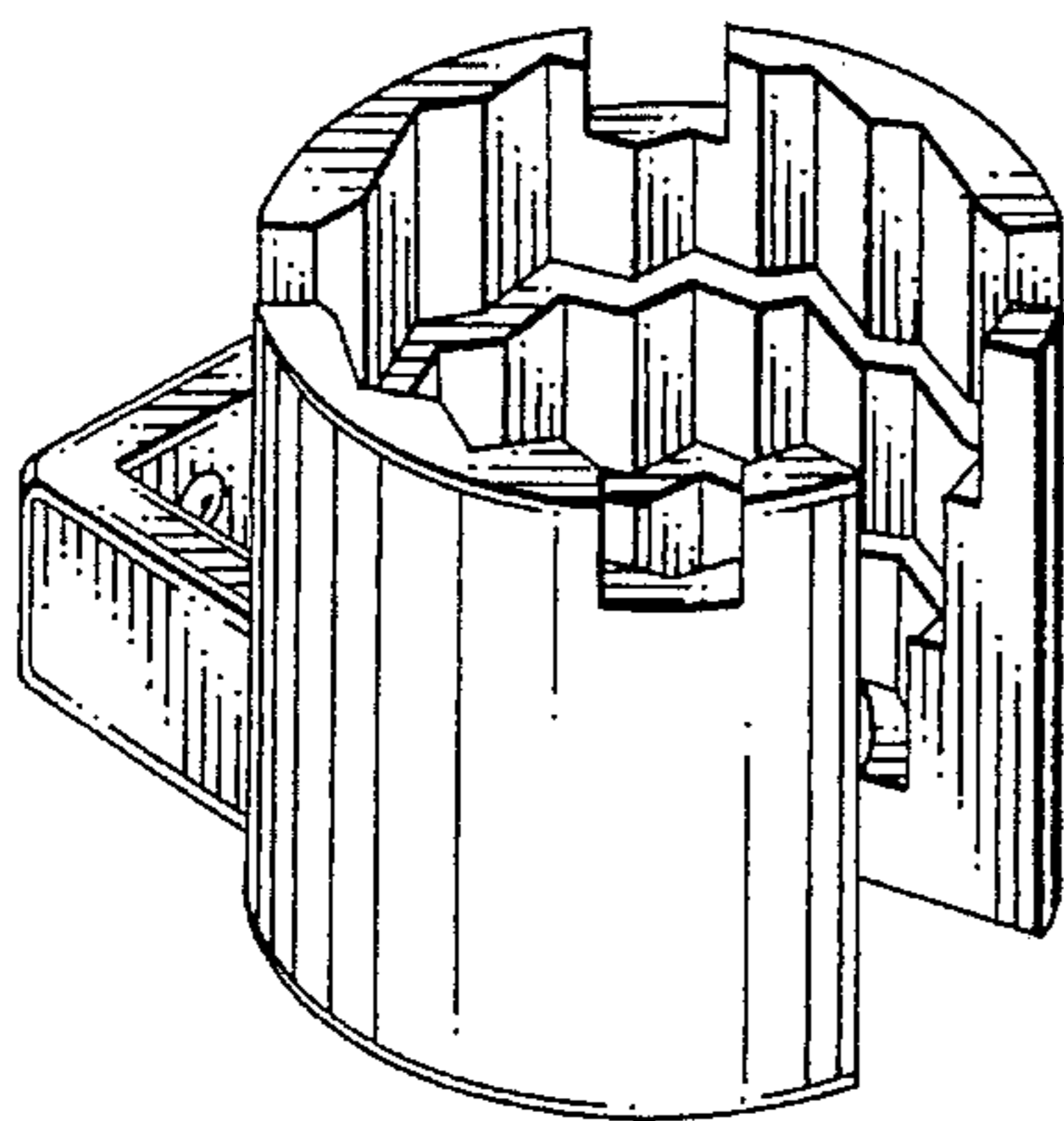


FIG. 14

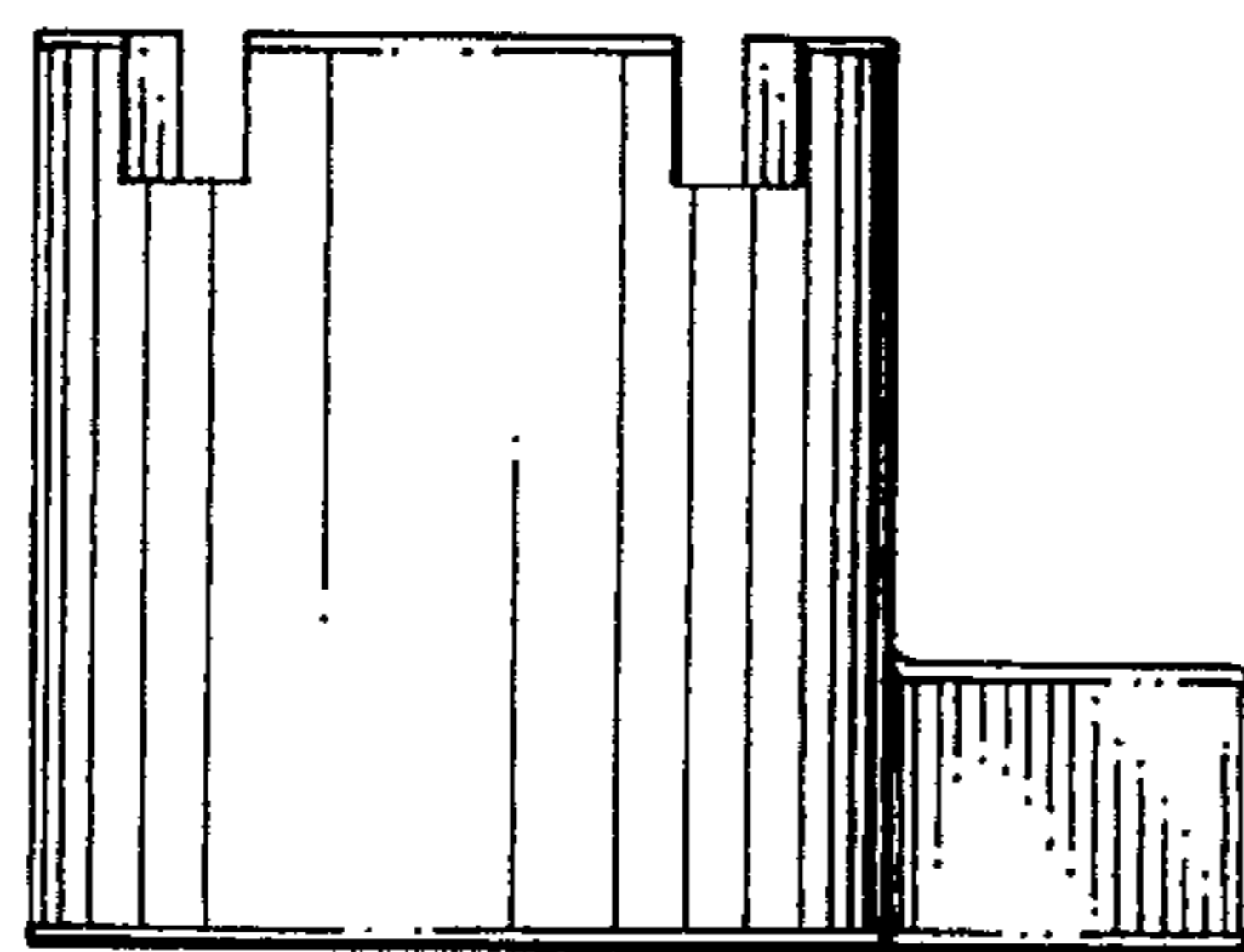


FIG. 15

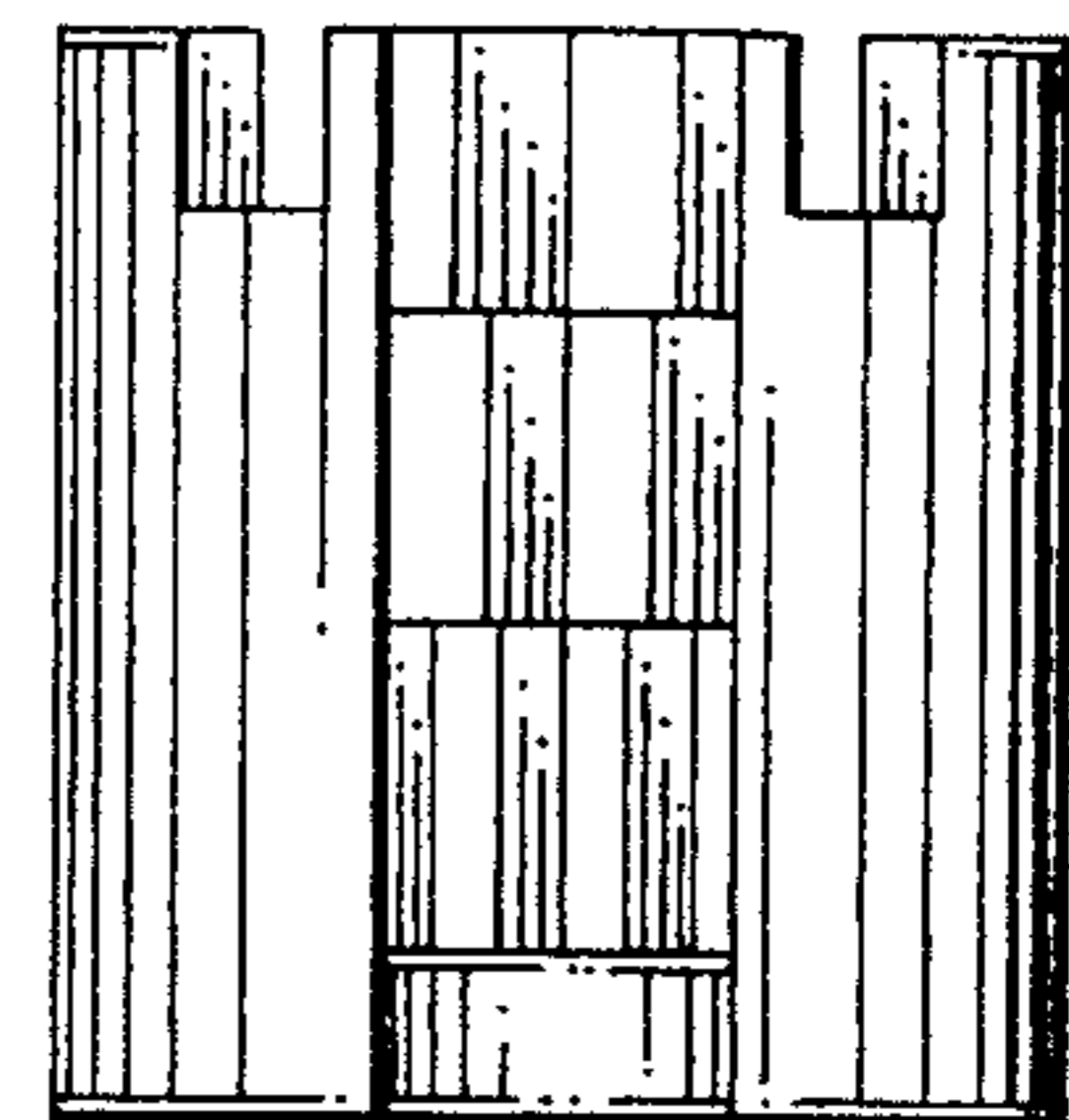


FIG. 16

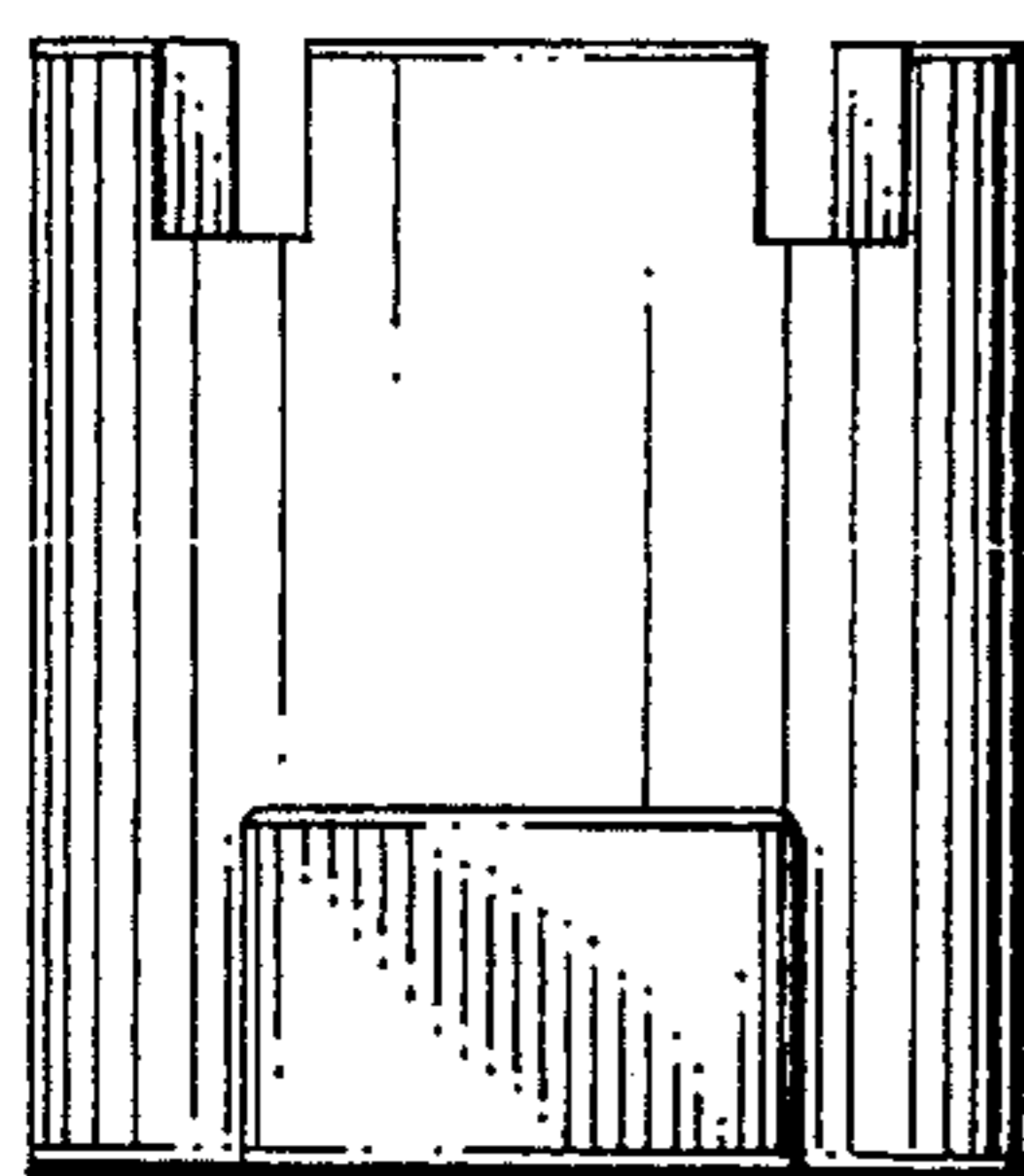


FIG. 17

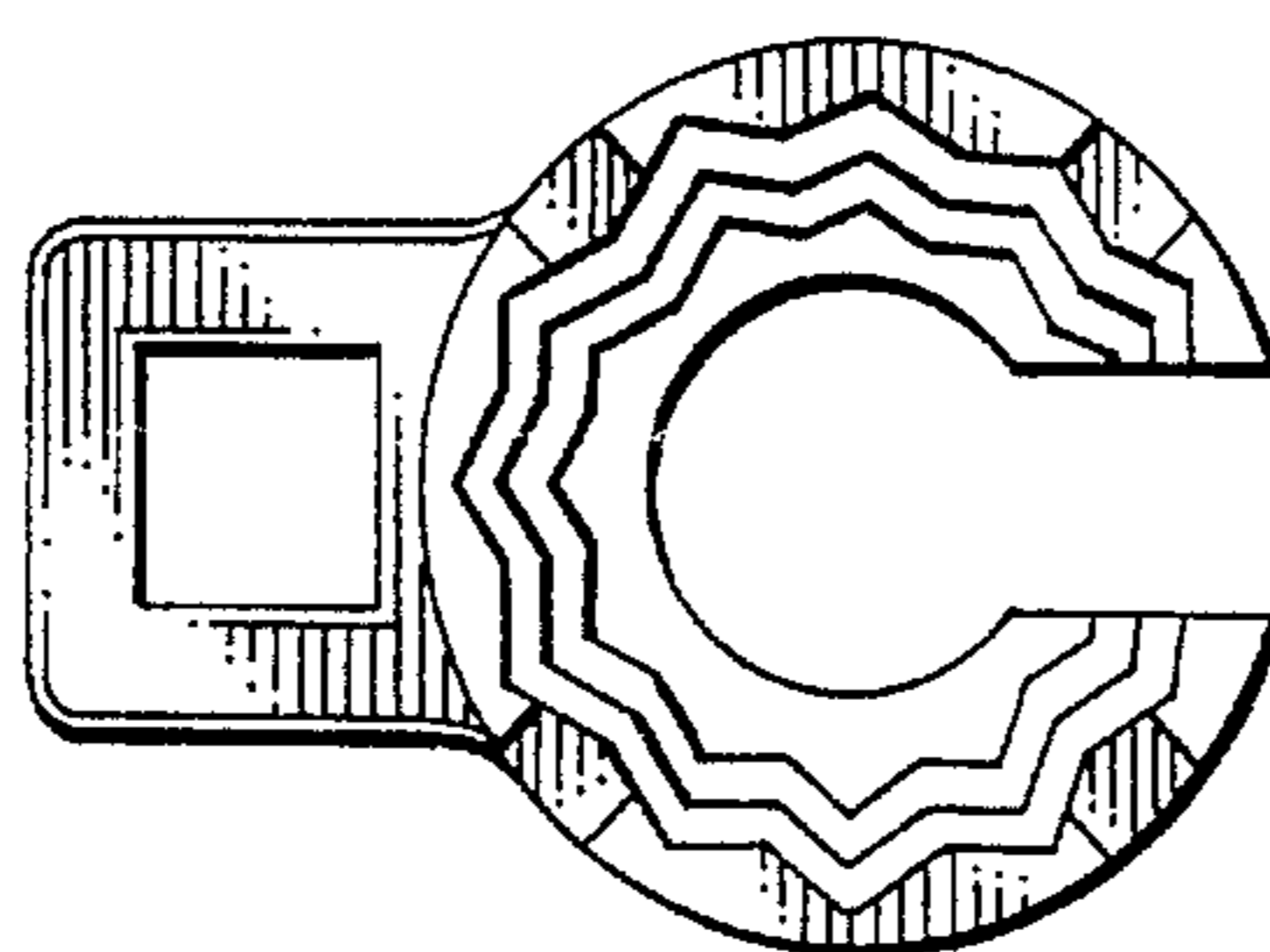


FIG. 18

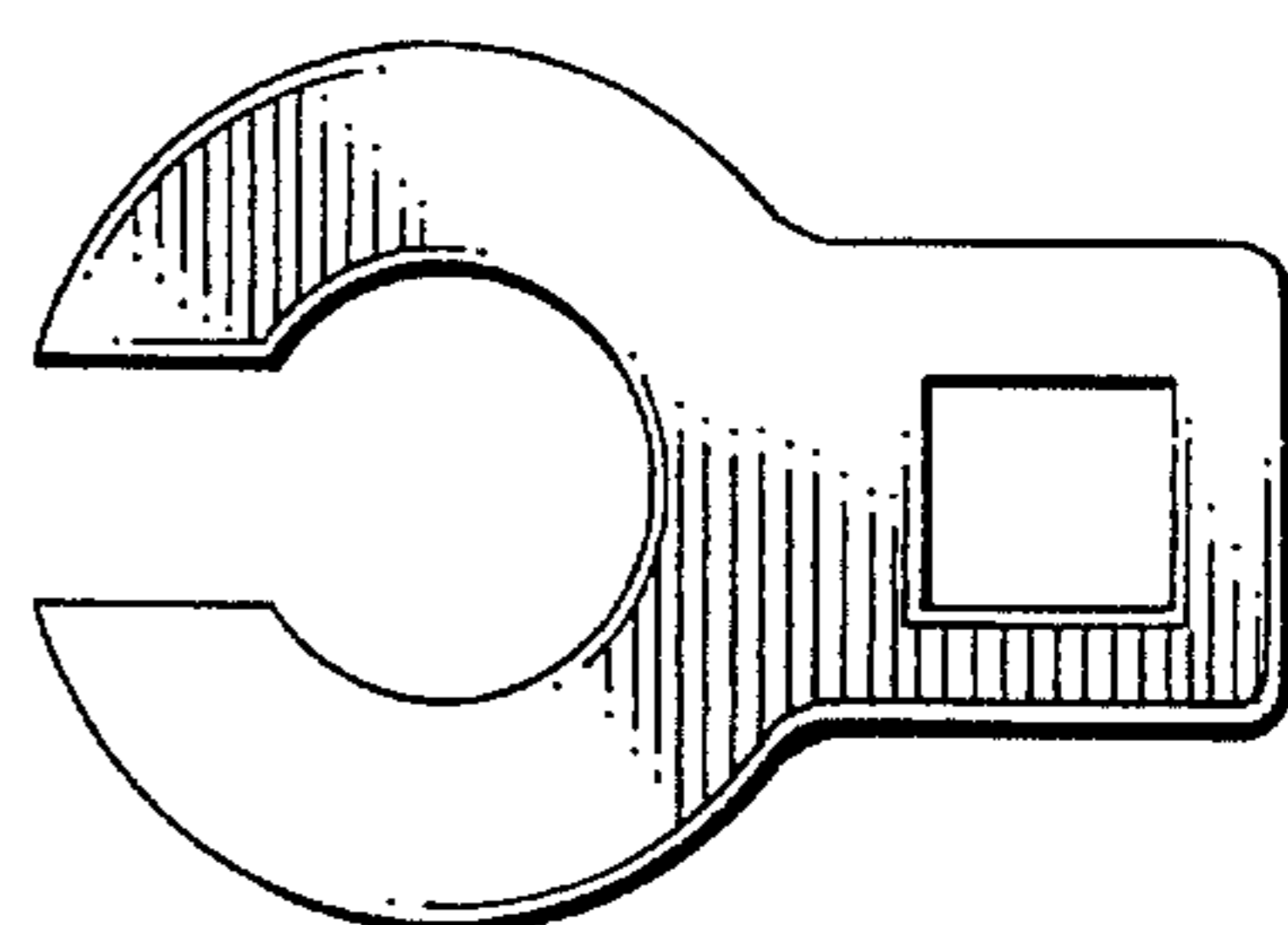


FIG. 19

UNITED STATES PATENT AND TRADEMARK OFFICE
CERTIFICATE OF CORRECTION

PATENT NO. : Des. 376,521
DATED : December 17, 1996
INVENTOR(S) : Robert J. Farnan

It is certified that error appears in the above-identified patent and that said Letters Patent is hereby corrected as shown below:

Title page, item [76]: On Line 2, "Saytona" should read --Daytona--.

Signed and Sealed this
Twelfth Day of August, 1997



Attest:

BRUCE LEHMAN

Attesting Officer

Commissioner of Patents and Trademarks