



US00D376520S

# United States Patent [19]

[11] Patent Number: **Des. 376,520**

Morin

[45] Date of Patent: **\*\*Dec. 17, 1996**

[54] **COMBINED EYEBOLT AND HOOK TURNING TOOL**

40805 5/1908 France ..... 81/177.2

[76] Inventor: **Steven A. Morin**, 8103 Land-o Lakes, Portage, Mich. 49002

*Primary Examiner*—B. J. Bullock  
*Assistant Examiner*—Richelle Shelton  
*Attorney, Agent, or Firm*—Flynn, Thiel, Boutell & Tanis, P.C.

[\*\*] Term: **14 Years**

### [57] CLAIM

[21] Appl. No.: **41,315**

The ornamental design for a combined eyebolt and hook turning tool, as shown and described.

[22] Filed: **Jul. 11, 1995**

[52] U.S. Cl. .... **D8/14; D8/21; D8/29**

### DESCRIPTION

[58] Field of Search ..... D8/14, 21, 28, D8/29; 81/488, 119, 121.1, 125, 177.2, 901

FIG. 1 is a top perspective view of a combined eyebolt and hook turning tool showing my new design;  
FIG. 2 is a fragmented cross sectional perspective view taken from line 2—2 of FIG. 1;  
FIG. 3 is a reduced bottom plan view of the combined eyebolt and hook turning tool;  
FIG. 4 is a front elevational view thereof, the rear elevational view being a mirror image;  
FIG. 5 is a left side elevational view thereof; and,  
FIG. 6 is a right side elevational view thereof.

### [56] References Cited

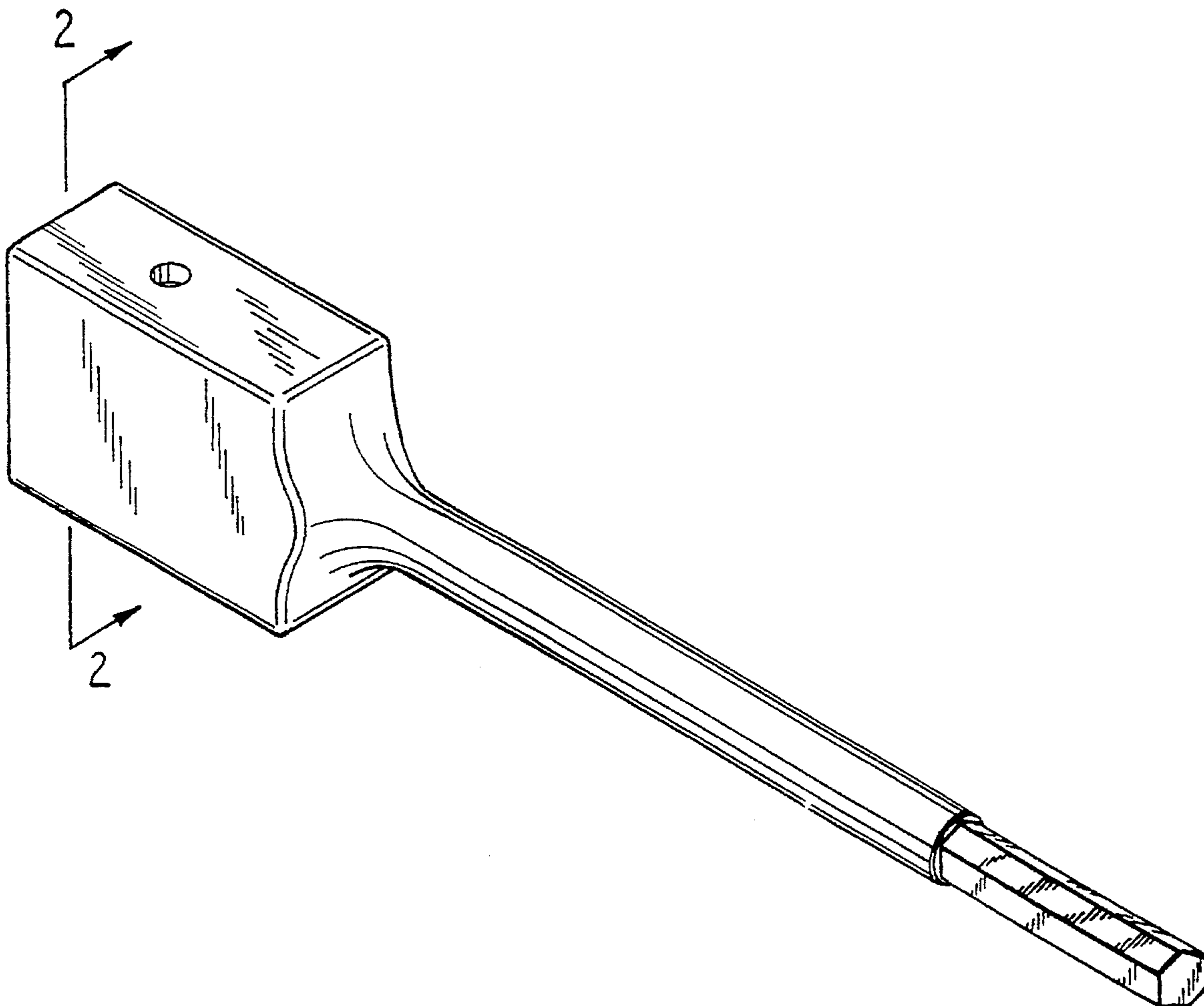
#### U.S. PATENT DOCUMENTS

- D. 275,446 9/1984 McSwain ..... D8/21 X
- D. 356,016 3/1995 Jewell ..... D8/21 841,472 1/1907 Vanderherchen ..... 81/901 X

#### FOREIGN PATENT DOCUMENTS

- 0191913 8/1986 European Pat. Off. .... 81/177.2

**1 Claim, 1 Drawing Sheet**



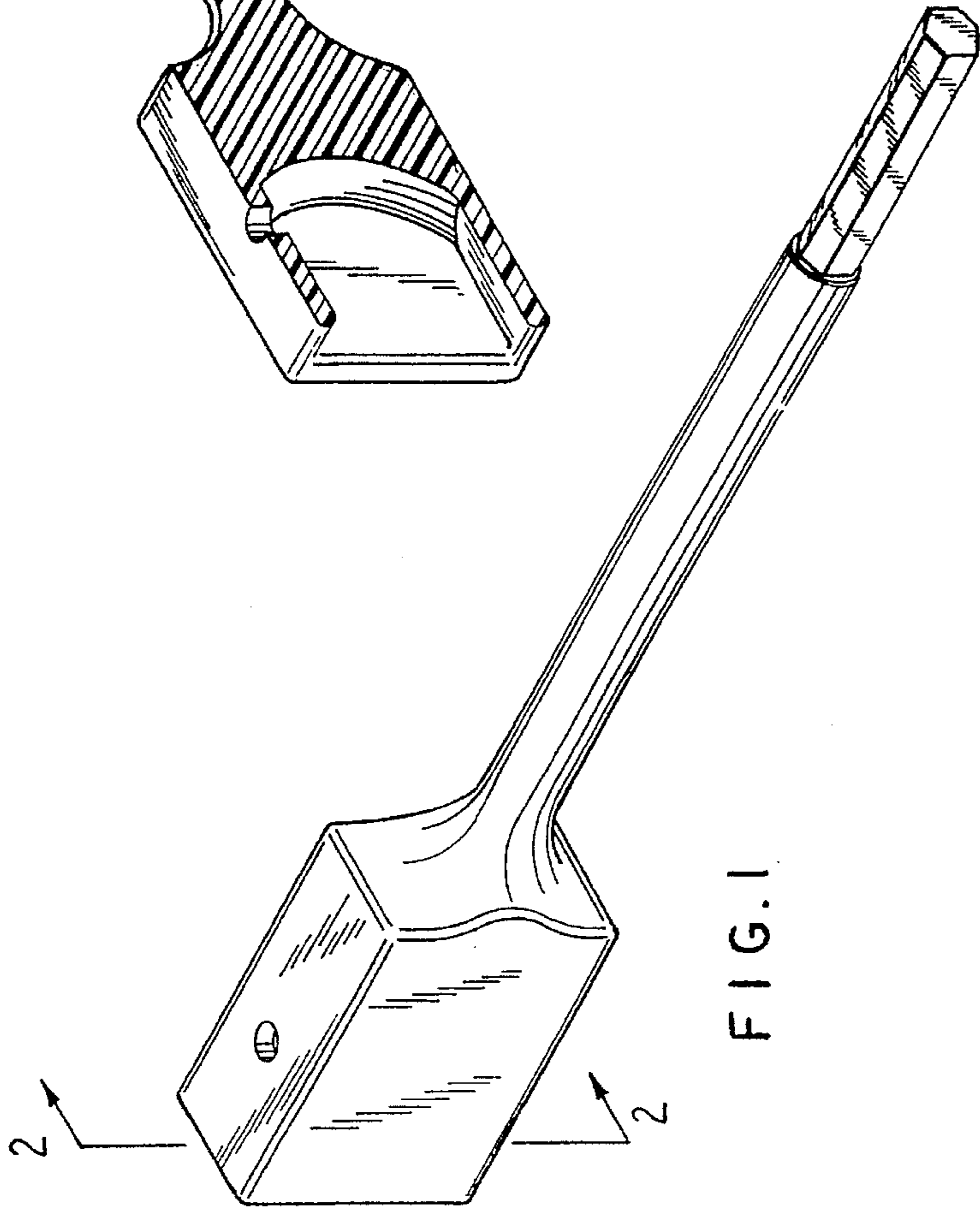


FIG. 1

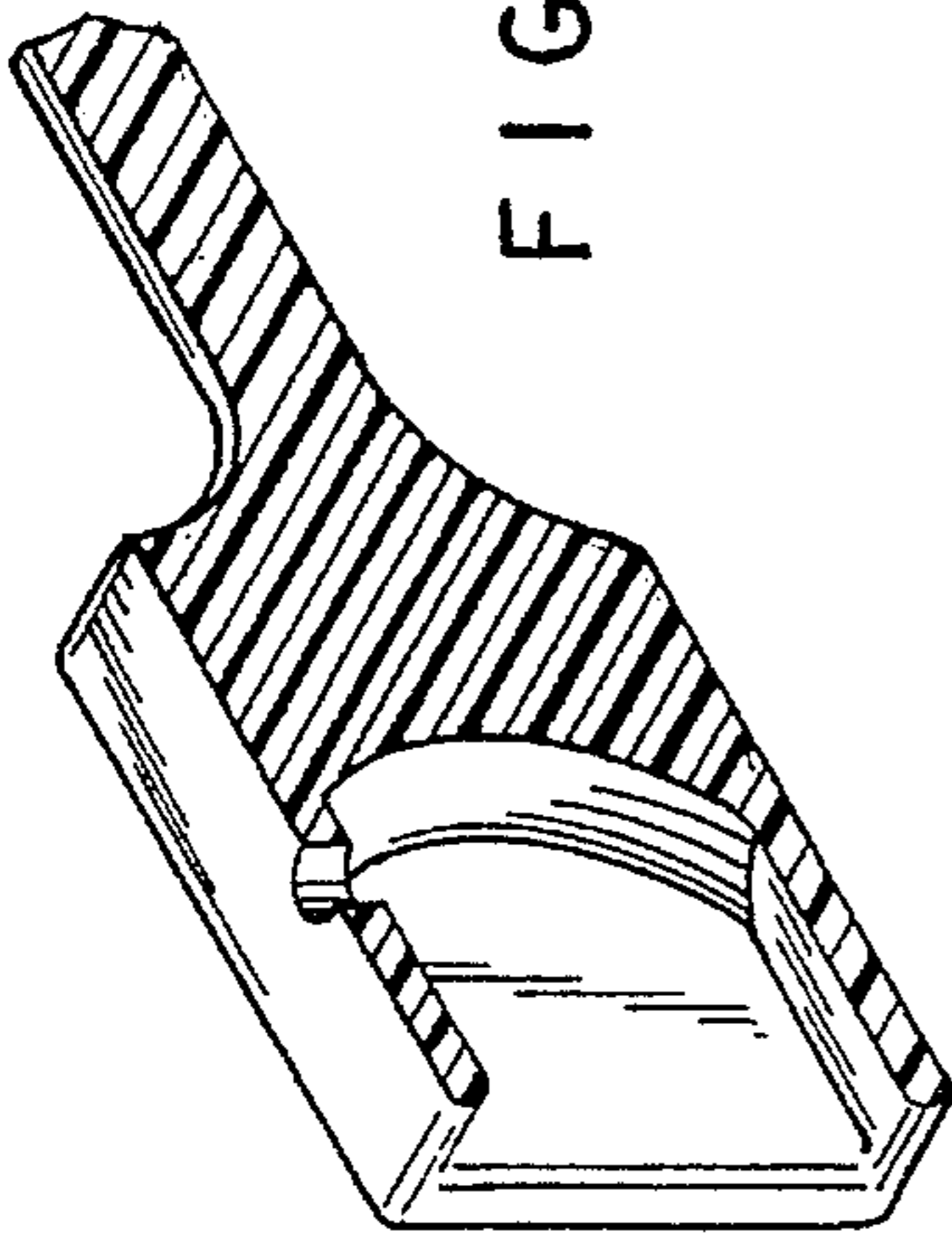


FIG. 2



FIG. 6

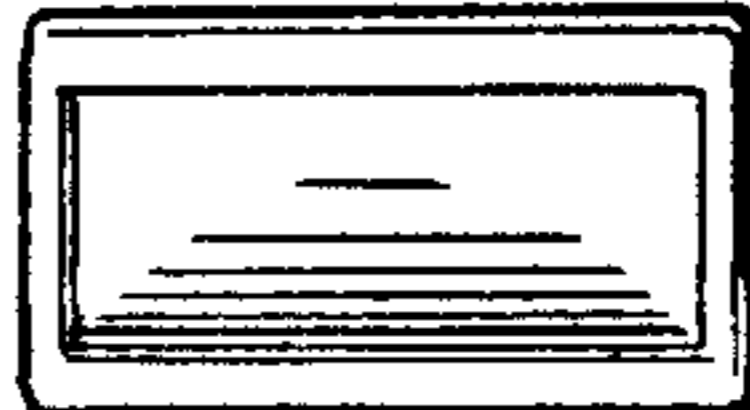


FIG. 5

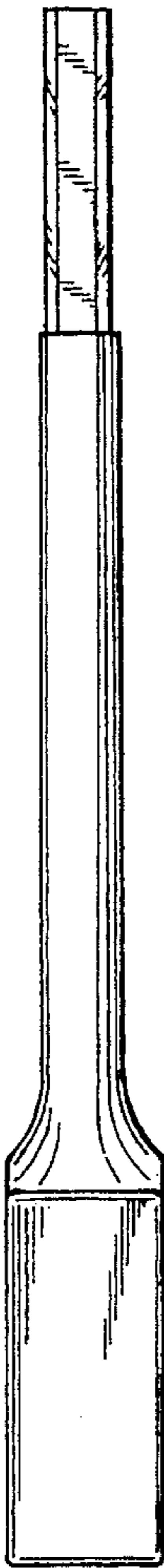


FIG. 3

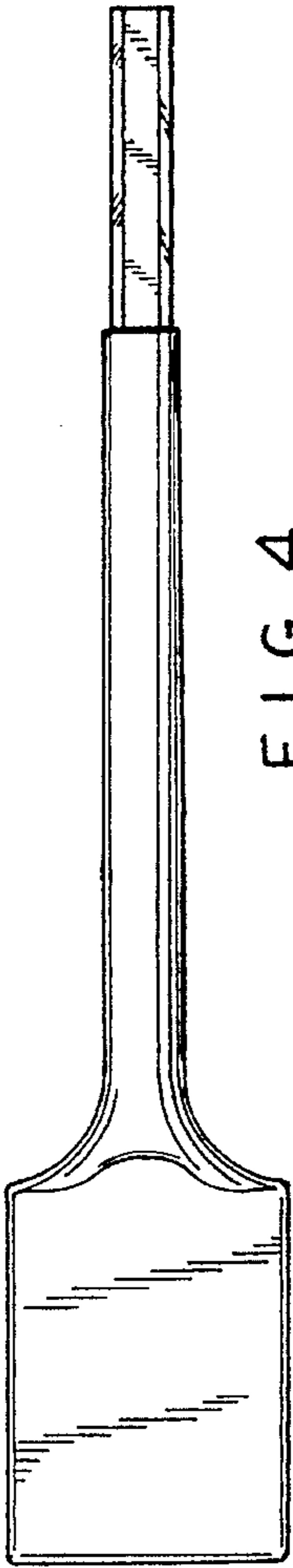


FIG. 4