



US00D376517S

United States Patent [19]

[11] Patent Number: **Des. 376,517**

Masucci

[45] Date of Patent: ****Dec. 17, 1996**

[54] **HEDGE AND WEED CUTTER**

[76] Inventor: **Jack Masucci**, 1080 Kingsland La.,
Fort Lee, N.J. 07024

[**] Term: **14 Years**

[21] Appl. No.: **43,599**

[22] Filed: **Sep. 7, 1995**

[52] U.S. Cl. **D8/8**

[58] Field of Search D8/7, 8; 30/276;
56/12.7

[56] **References Cited**

U.S. PATENT DOCUMENTS

- D. 349,022 7/1994 Kiyooka et al. D8/8
- D. 355,817 2/1995 Nakadachi D8/8
- 4,759,128 7/1988 Katoh et al. 30/276

Primary Examiner—Brian N. Vinson
Attorney, Agent, or Firm—Harold H. Dutton, Jr.; W. Charles
L. Jamison; Diane F. Liebman

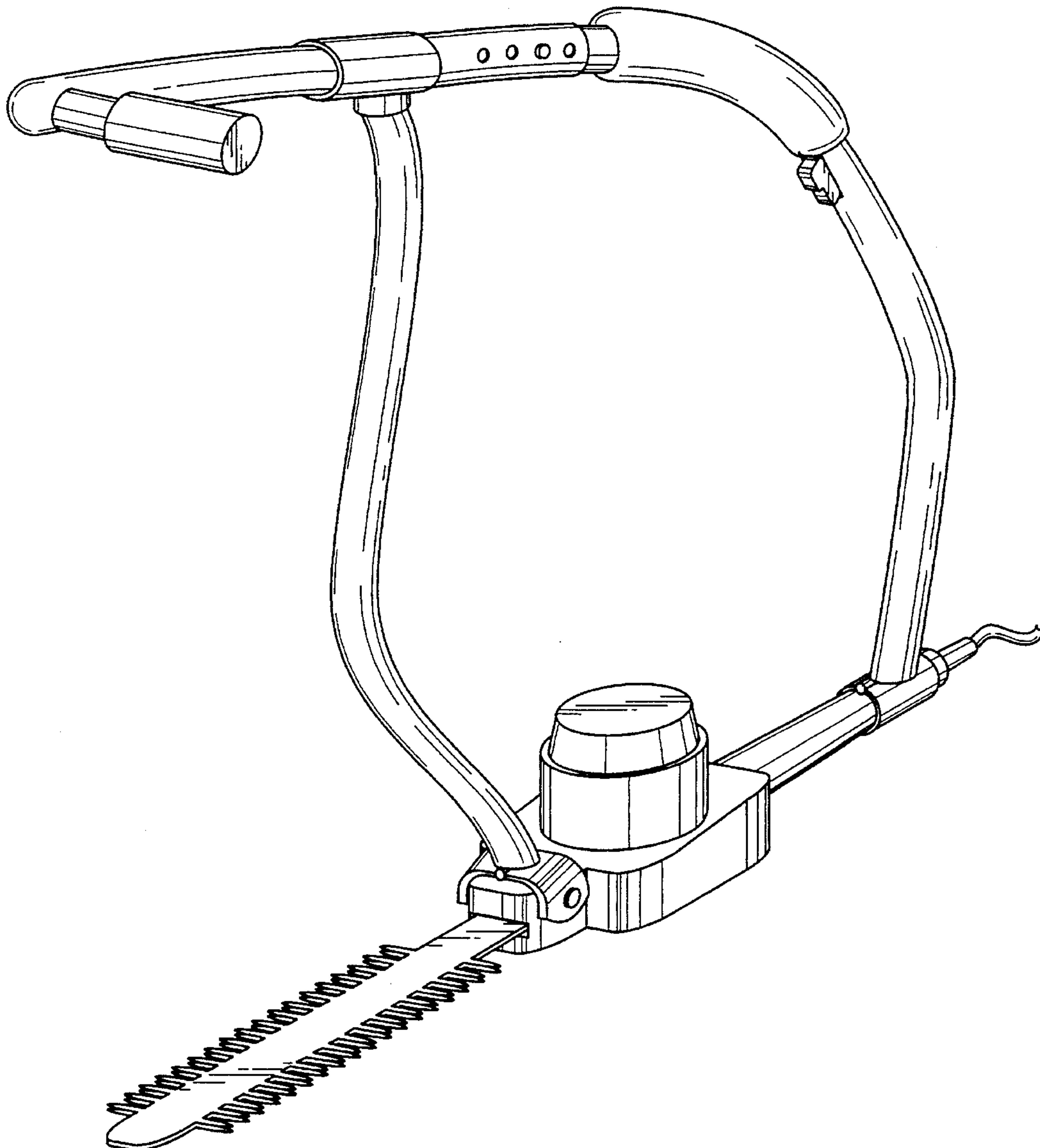
[57] **CLAIM**

The ornamental design for a hedge and weed cutter, as shown.

DESCRIPTION

FIG. 1 is a perspective view of a hedge and weed cutter showing my new design;
FIG. 2 is a right side view thereof;
FIG. 3 is a left side view thereof;
FIG. 4 is a front view thereof;
FIG. 5 is a rear view thereof;
FIG. 6 is a top view thereof; and,
FIG. 7 is a bottom view thereof.

1 Claim, 5 Drawing Sheets



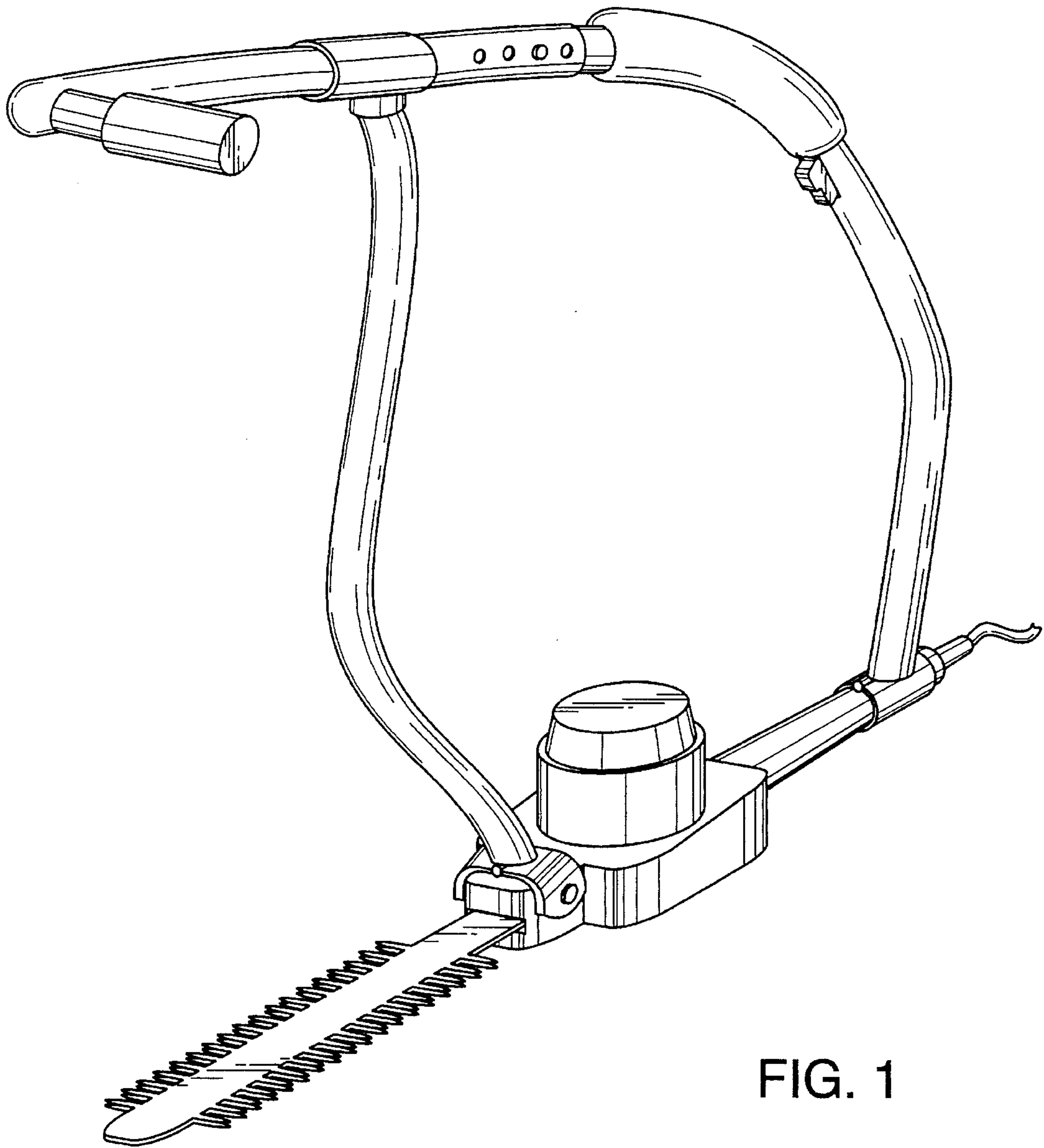


FIG. 1

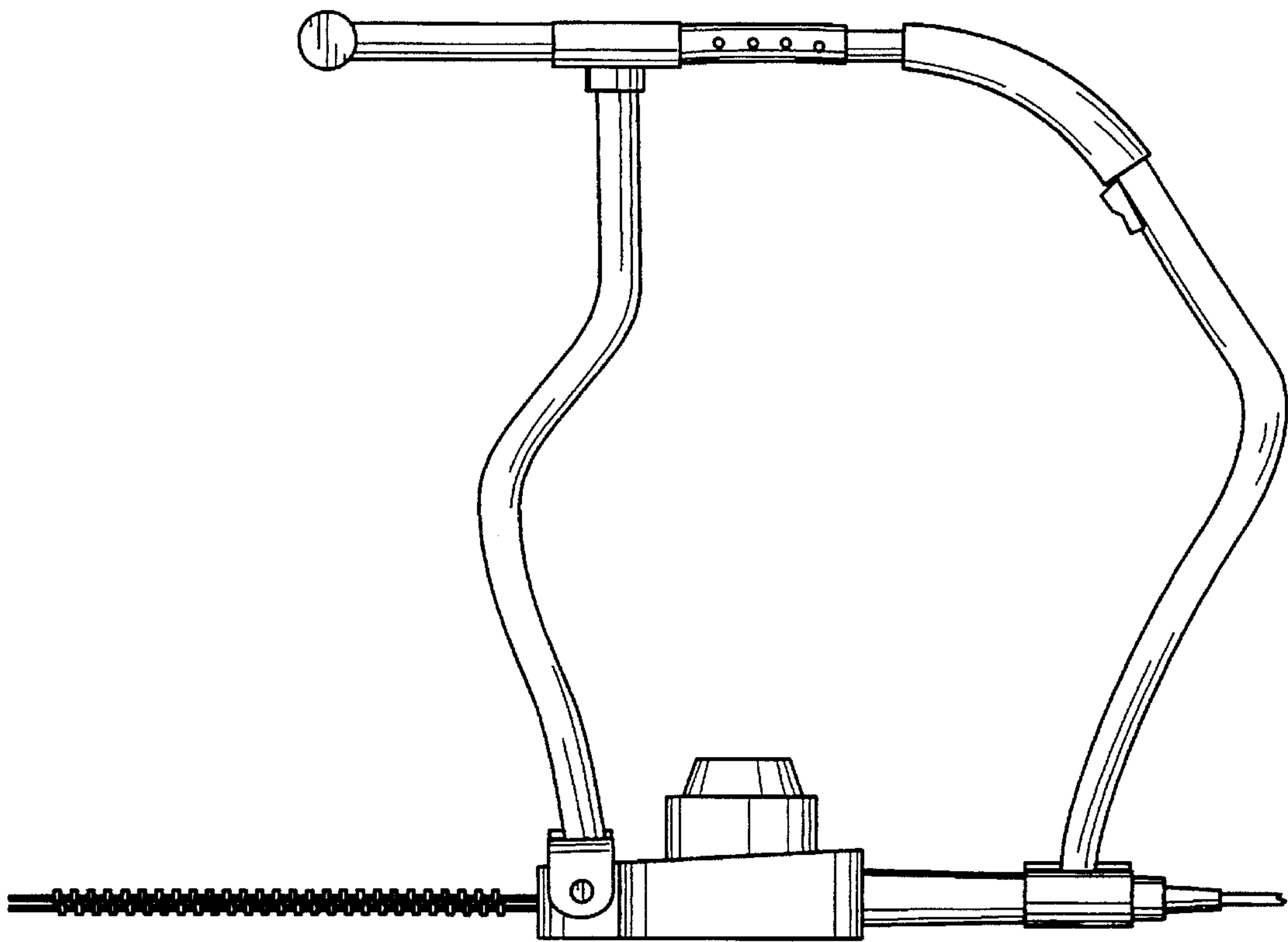


FIG. 2

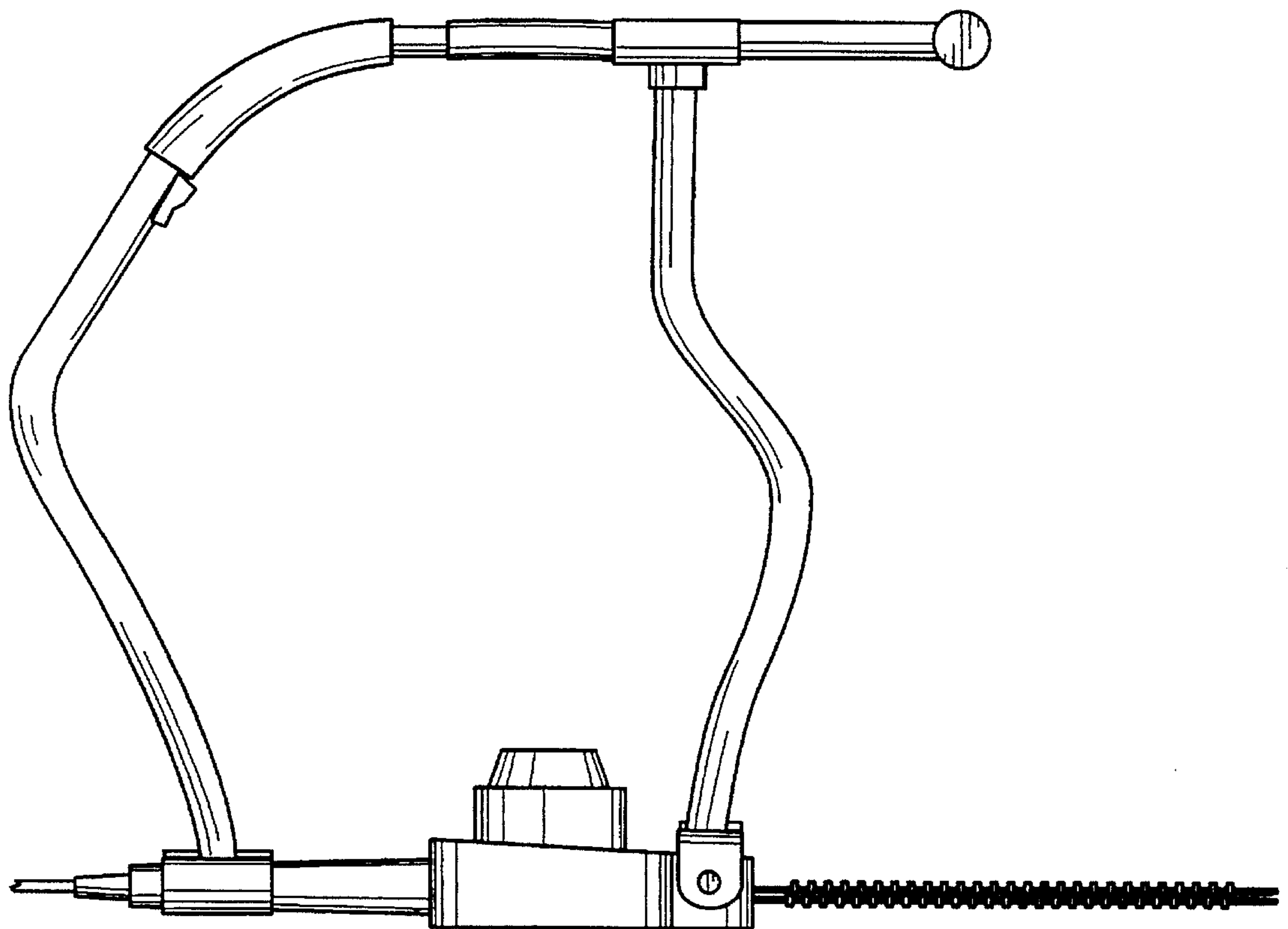


FIG. 3

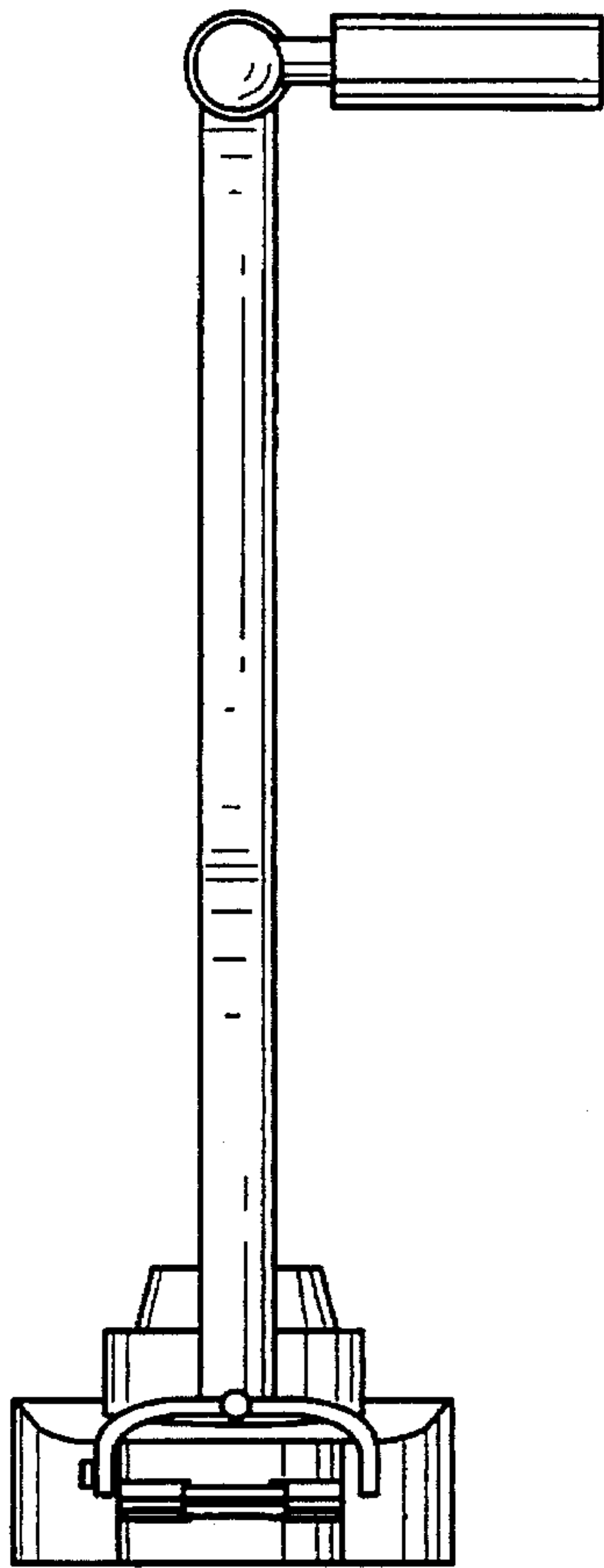
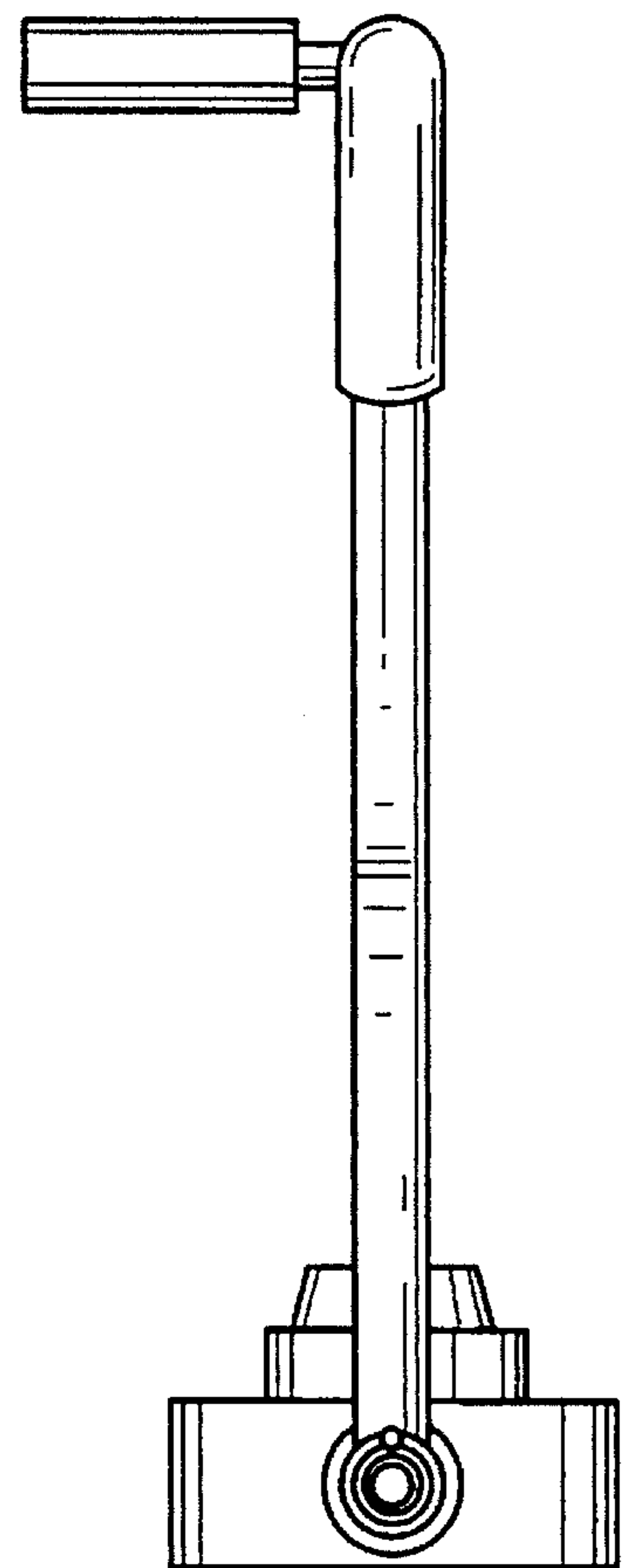


FIG. 4

FIG. 5



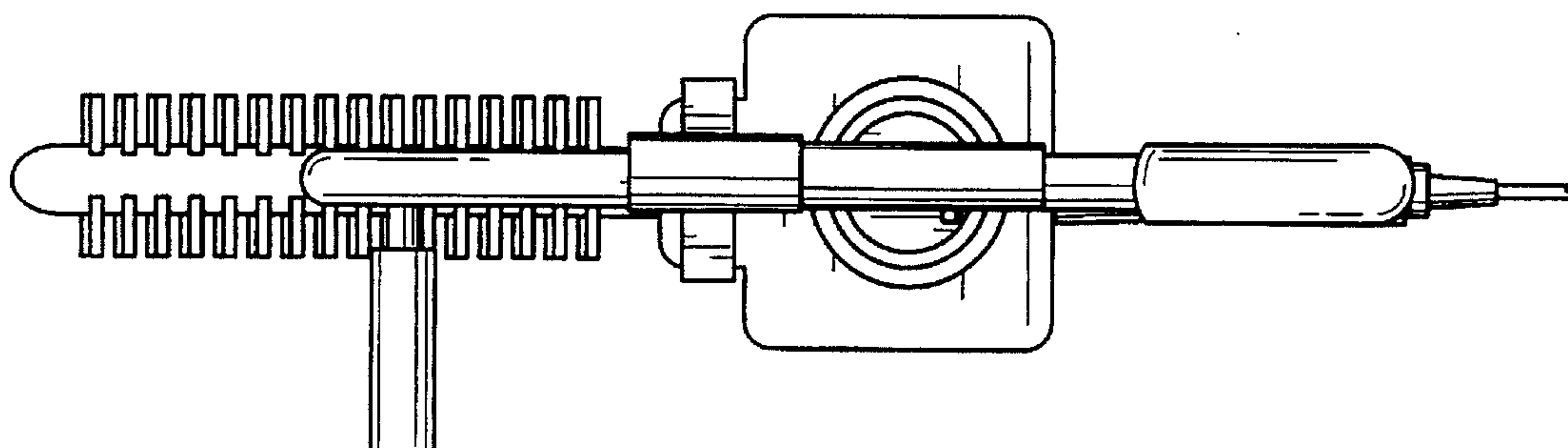


FIG. 6

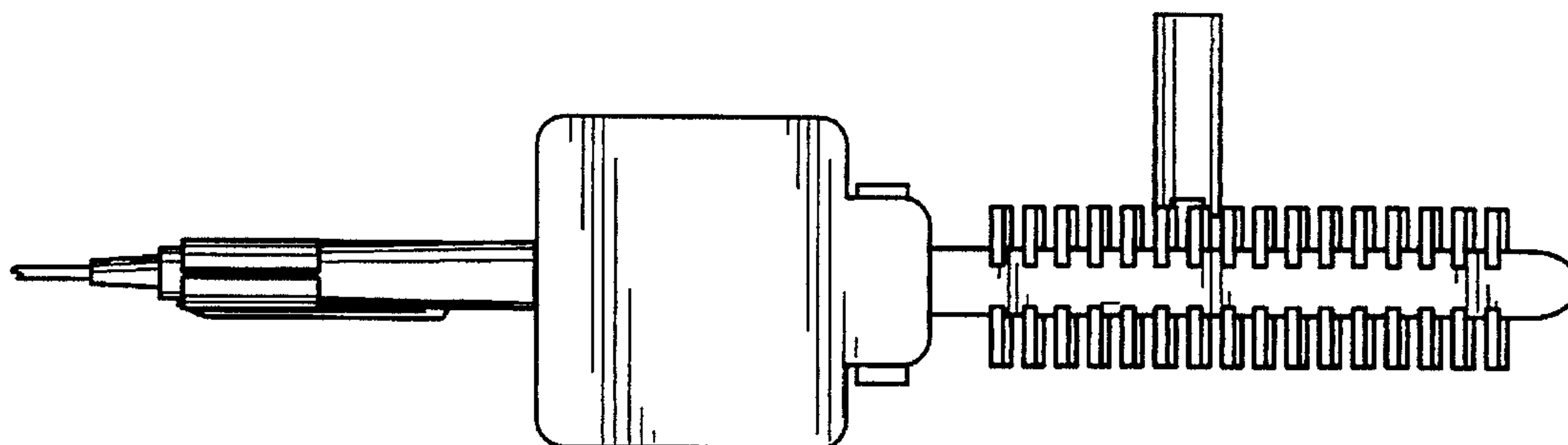


FIG. 7