



US00D376516S

United States Patent [19]

Skinner

[11] Patent Number: **Des. 376,516**

[45] Date of Patent: ****Dec. 17, 1996**

[54] **CUTTING LINE FOR A ROTATING LINE TRIMMER**

[75] Inventor: **David B. Skinner**, Columbia, S.C.

[73] Assignee: **Shakespeare Company**, Columbia, S.C.

[**] Term: **14 Years**

[21] Appl. No.: **42,869**

[22] Filed: **Aug. 18, 1995**

Related U.S. Application Data

[62] Division of Ser. No. 29,442, Oct. 6, 1994, Pat. No. Des. 365,734, which is a division of Ser. No. 954,386, Sep. 30, 1993, Pat. No. Des. 358,535, which is a continuation-in-part of Ser. No. 834,520, Feb. 12, 1992, Pat. No. Des. 364,079.

[52] **U.S. Cl.** **D8/8**

[58] **Field of Search** D8/8; D15/138; D25/119-123; 30/276; 56/12.7, 295

[56] References Cited

U.S. PATENT DOCUMENTS

D. 298,905	12/1988	Petherick et al.	D8/8
910,192	1/1909	Grouvelle et al. .	
3,645,035	2/1972	Fischer	46/17
4,047,299	9/1977	Bair	30/276
4,107,841	8/1978	Rebhun	30/276
4,126,990	11/1978	Fisher et al.	56/295
4,186,239	1/1980	Mize et al.	428/399
4,282,653	8/1981	Comer et al.	30/276
4,356,686	11/1982	Lessig, III	56/295
4,412,382	11/1983	White, III	30/276

4,631,828	12/1986	Burnett	30/276
4,825,627	5/1989	Truderung	56/12.7
4,869,055	9/1989	Mickelson	56/12.7
4,905,465	3/1990	Jones et al.	56/295
4,916,886	4/1990	Nakamura et al.	56/12.7
5,048,278	9/1991	Jones et al.	56/295
5,220,774	6/1993	Harbeke et al.	56/12.7

FOREIGN PATENT DOCUMENTS

556632 10/1974 Switzerland .

OTHER PUBLICATIONS

Plastic Process Co. Catalog, Jul. 1953, p. 55, item 1360.
Anchor Plastics Catalog© 1960, p. 29, tubing "D".
Van Huffel Catalog L-56, p. 69, bottom right tubing.
Van Huffel Catalog, L-56, p. 72, tubing 2327/0.17.

Primary Examiner—Holly H. Baynham

Attorney, Agent, or Firm—Renner, Kenner, Greive, Bobak, Taylor & Weber

[57] CLAIM

The ornamental design for cutting line for a rotating line trimmer, as shown and described.

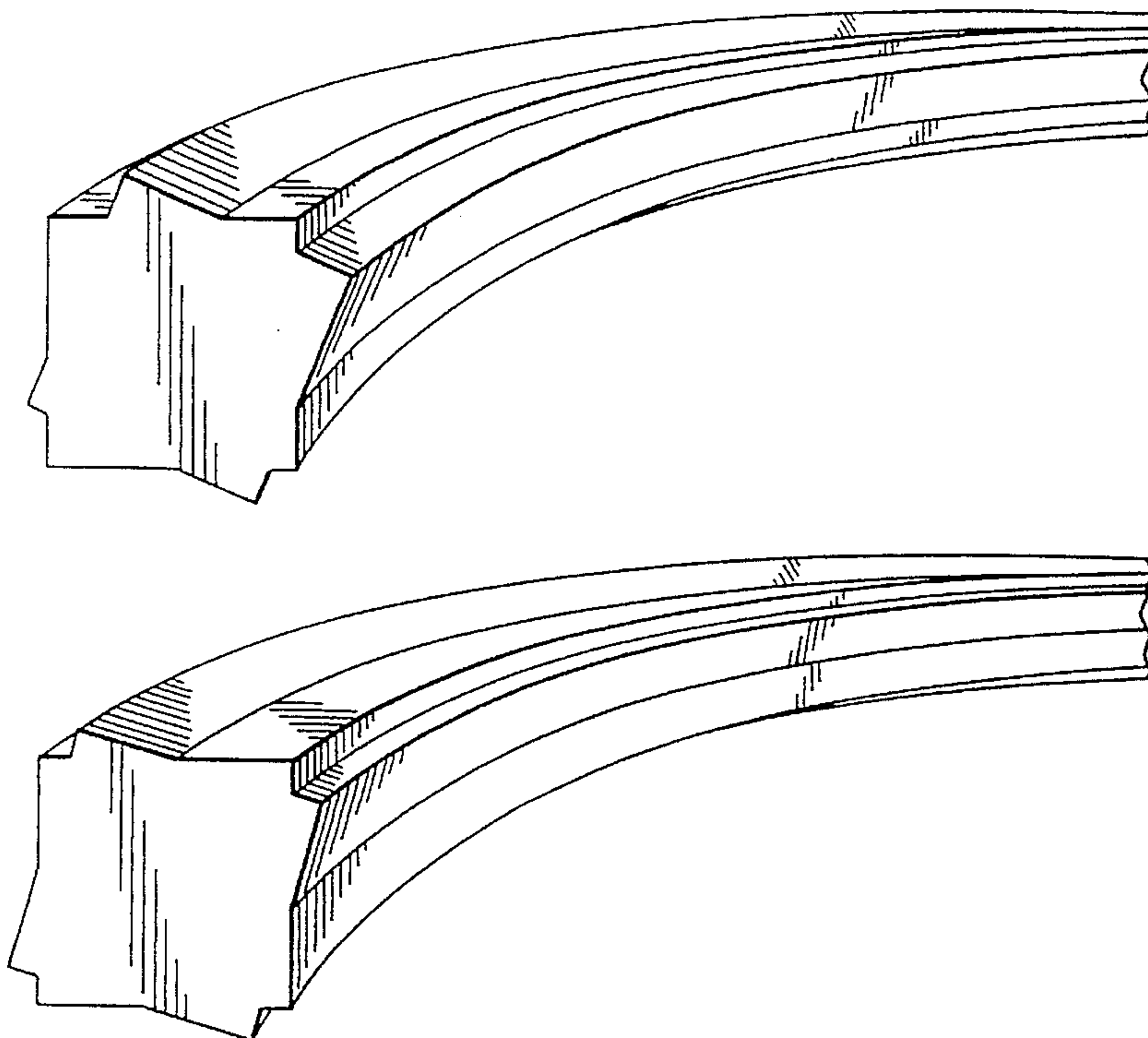
DESCRIPTION

FIG. 1 is a fragmentary, oblique, pictorial view of the cutting line for a rotating line trimmer according to the present invention; and,

FIG. 2 is a fragmentary, oblique, pictorial view of a second embodiment of the design shown in FIG. 1.

The undisclosed opposite ends of each embodiment are identical in appearance to the ends shown.

1 Claim, 1 Drawing Sheet



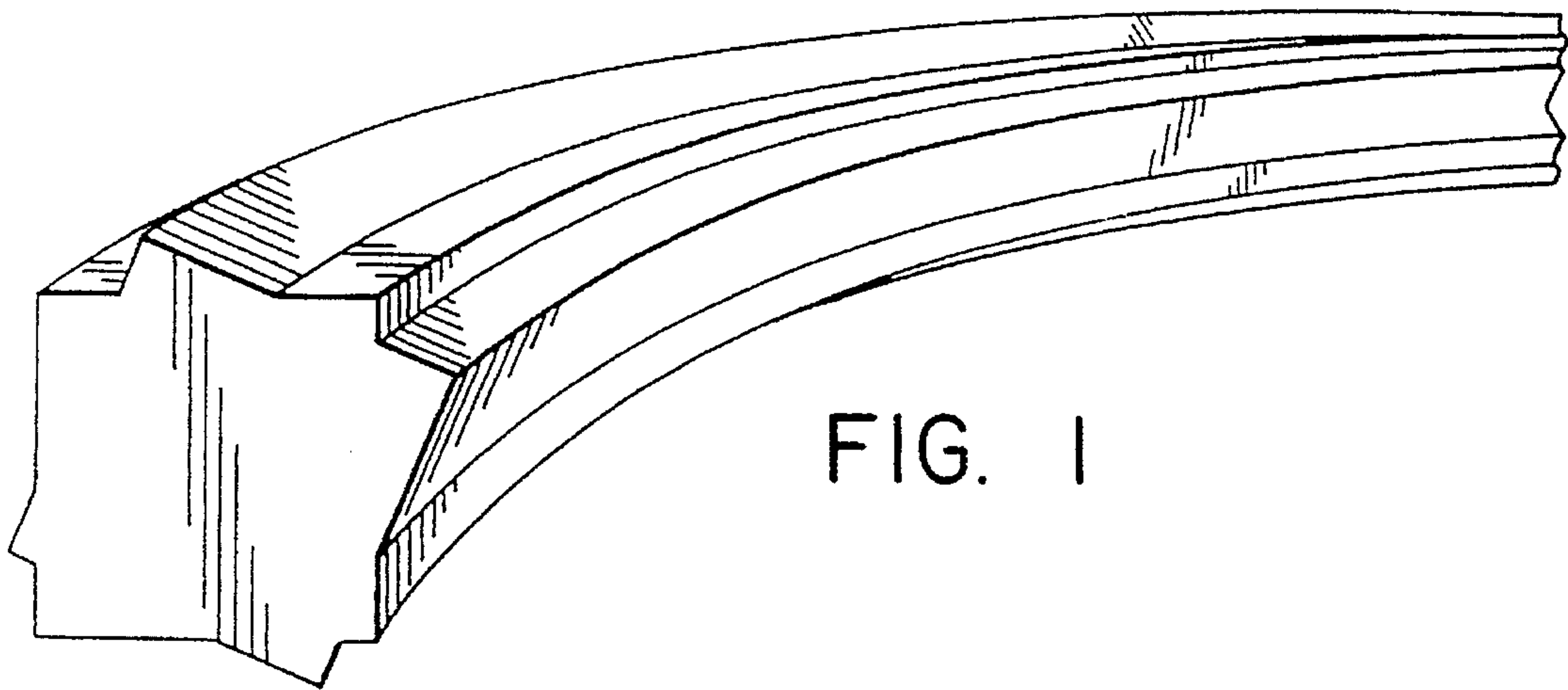


FIG. 1

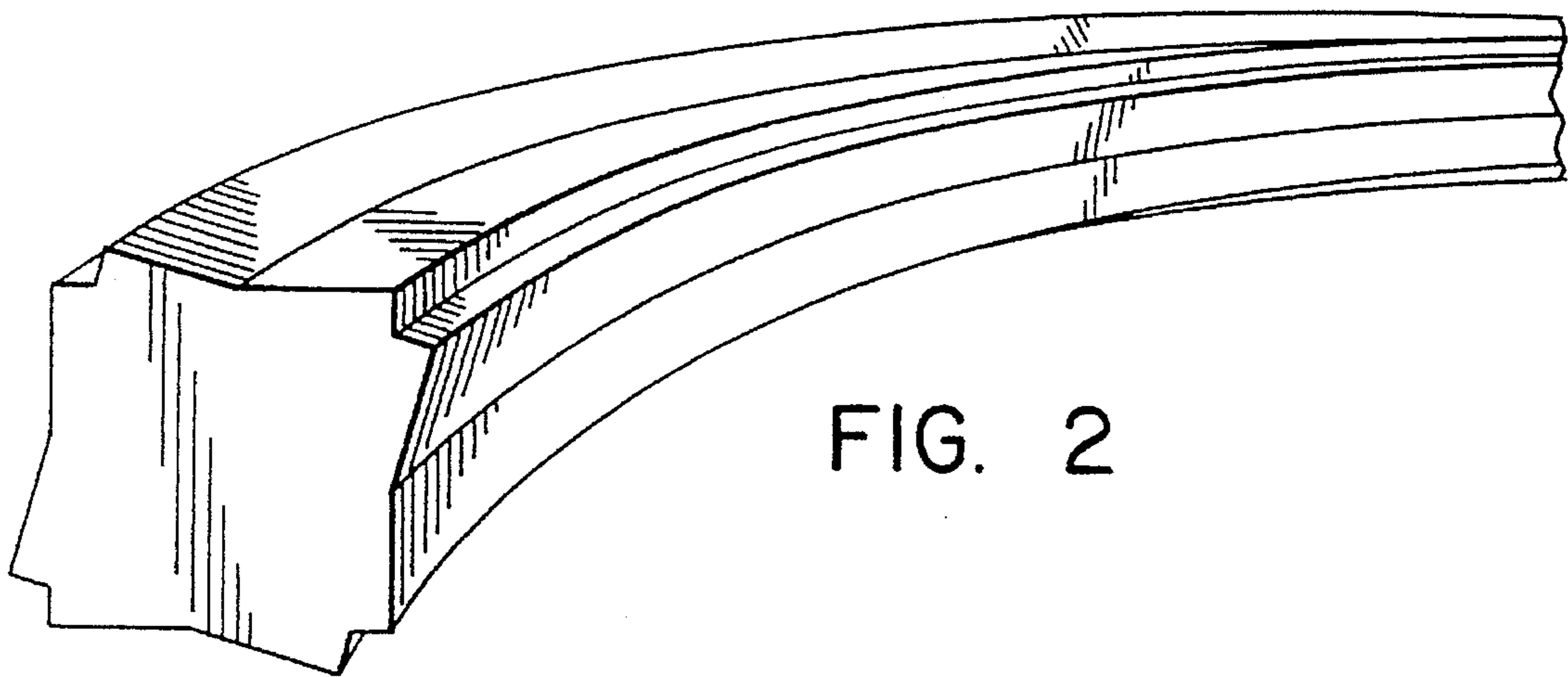


FIG. 2