



US00D376515S

United States Patent [19]

[11] Patent Number: **Des. 376,515**

Powers

[45] Date of Patent: ****Dec. 17, 1996**

[54] **ICE SCOOP**

Primary Examiner—Terry A. Wallace

[76] Inventor: **Lester R. Powers**, 1002 N. Meridian St., Brazil, Ind. 47834

Attorney, Agent, or Firm—Shlesinger, Arkwright & Garvey

[**] Term: **14 Years**

[57] **CLAIM**

[21] Appl. No.: **49,099**

The ornamental design for an ice scoop, as shown and described.

[22] Filed: **Jan. 17, 1996**

DESCRIPTION

[52] U.S. Cl. **D7/691**

FIG. 1 is a front perspective view of an ice scoop showing my new design;

[58] Field of Search D7/691, 692; D1/105, D1/116; 30/324–328; 294/55; 229/117.18

FIG. 2 is a top plan view thereof;

[56] **References Cited**

FIG. 3 is a bottom plan view thereof;

U.S. PATENT DOCUMENTS

FIG. 4 is a side elevational view thereof, the opposite side being a mirror image of the side shown;

- D. 157,153 12/1948 Hirsch et al. .
- D. 192,587 4/1962 Drugmand .
- D. 308,277 5/1990 Walker .
- 1,382,057 6/1921 Bosick .
- 1,458,039 1/1921 Eiermann .
- 1,728,858 7/1928 Dreher .
- 2,299,418 10/1942 Thomas .
- 3,858,320 1/1975 Neal et al. 30/326 X

FIG. 5 is a left end elevational view thereof;

FIG. 6 is a right end elevational view thereof; and,

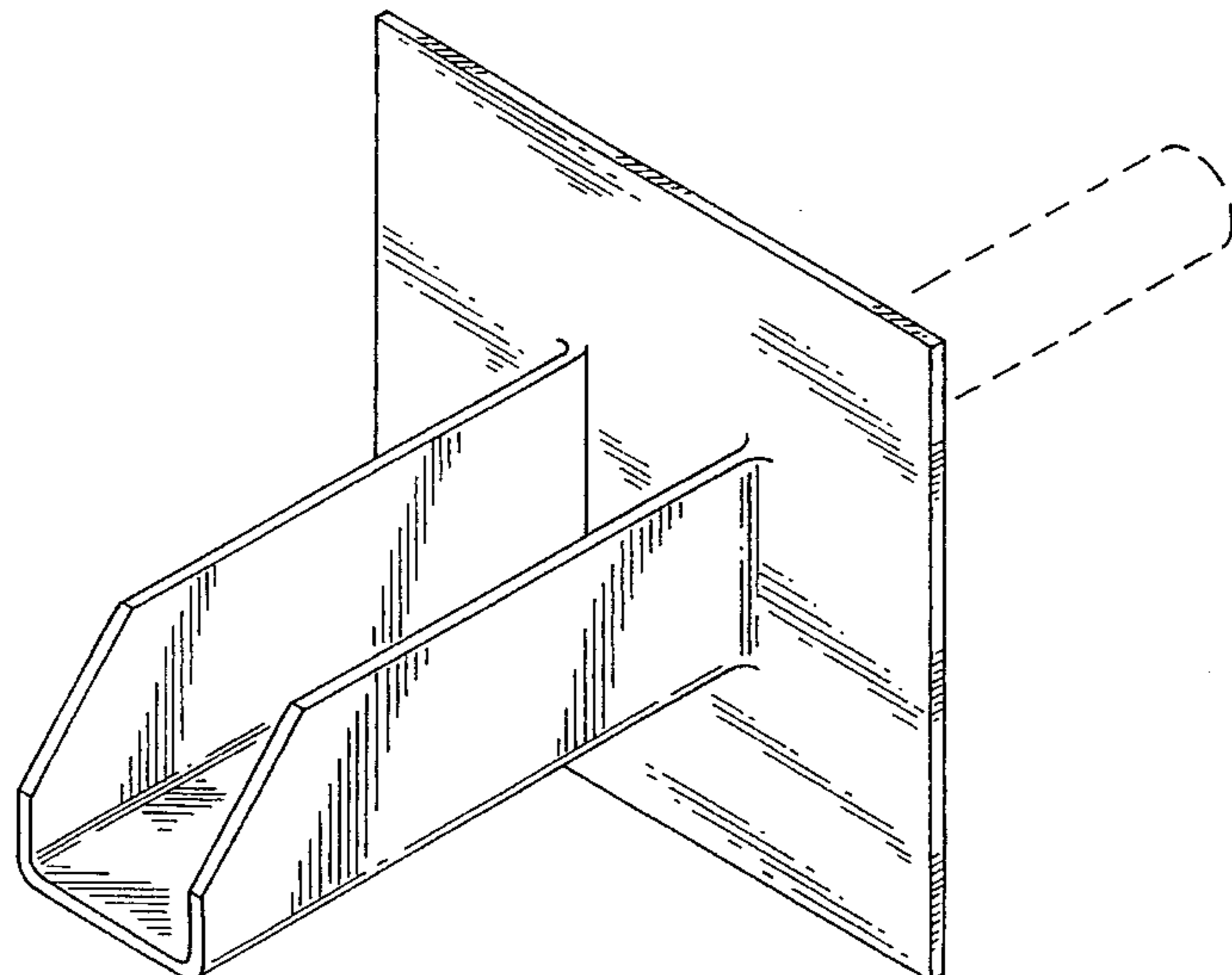
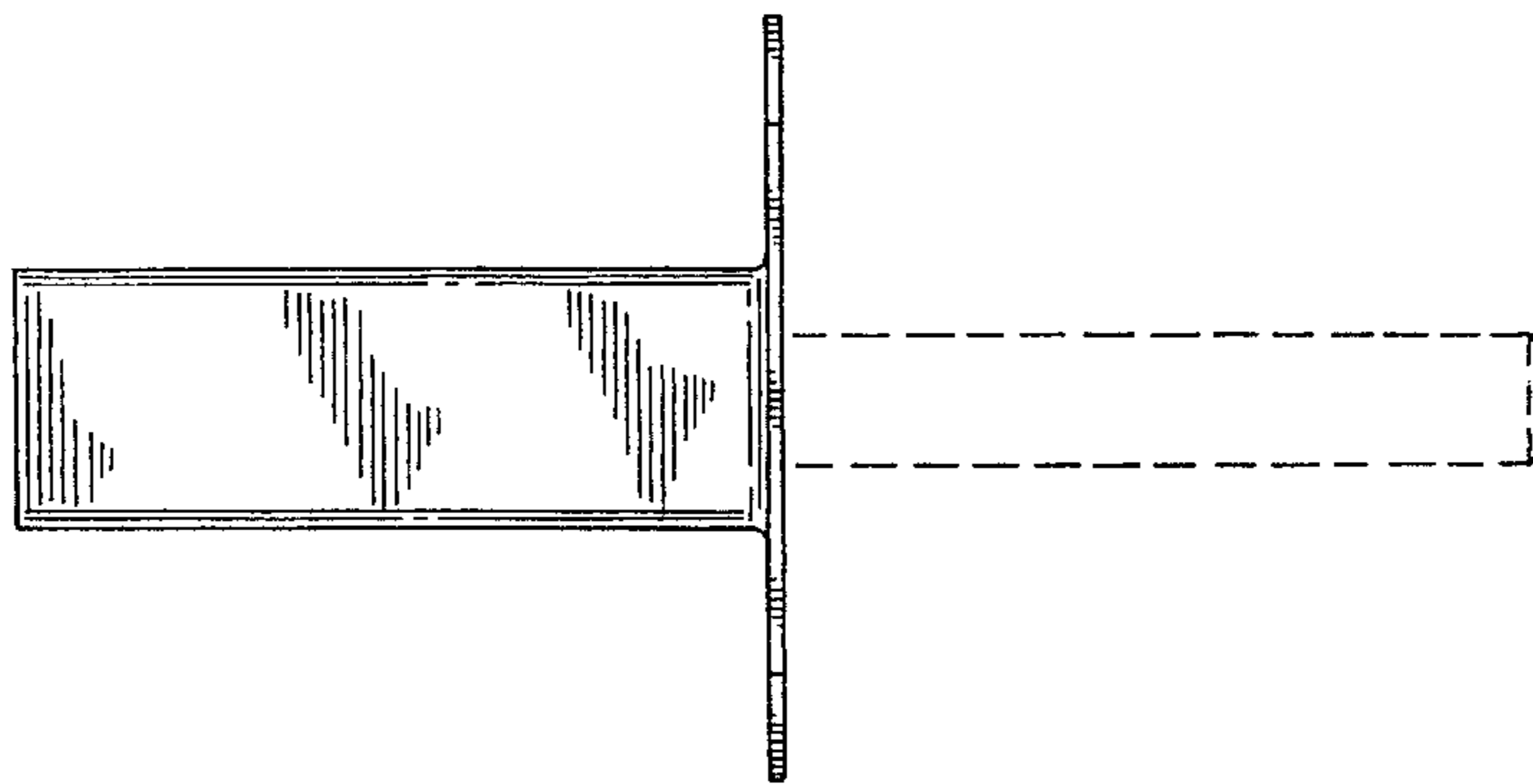
FIG. 7 is a front perspective view of an alternate embodiment of FIG. 1.

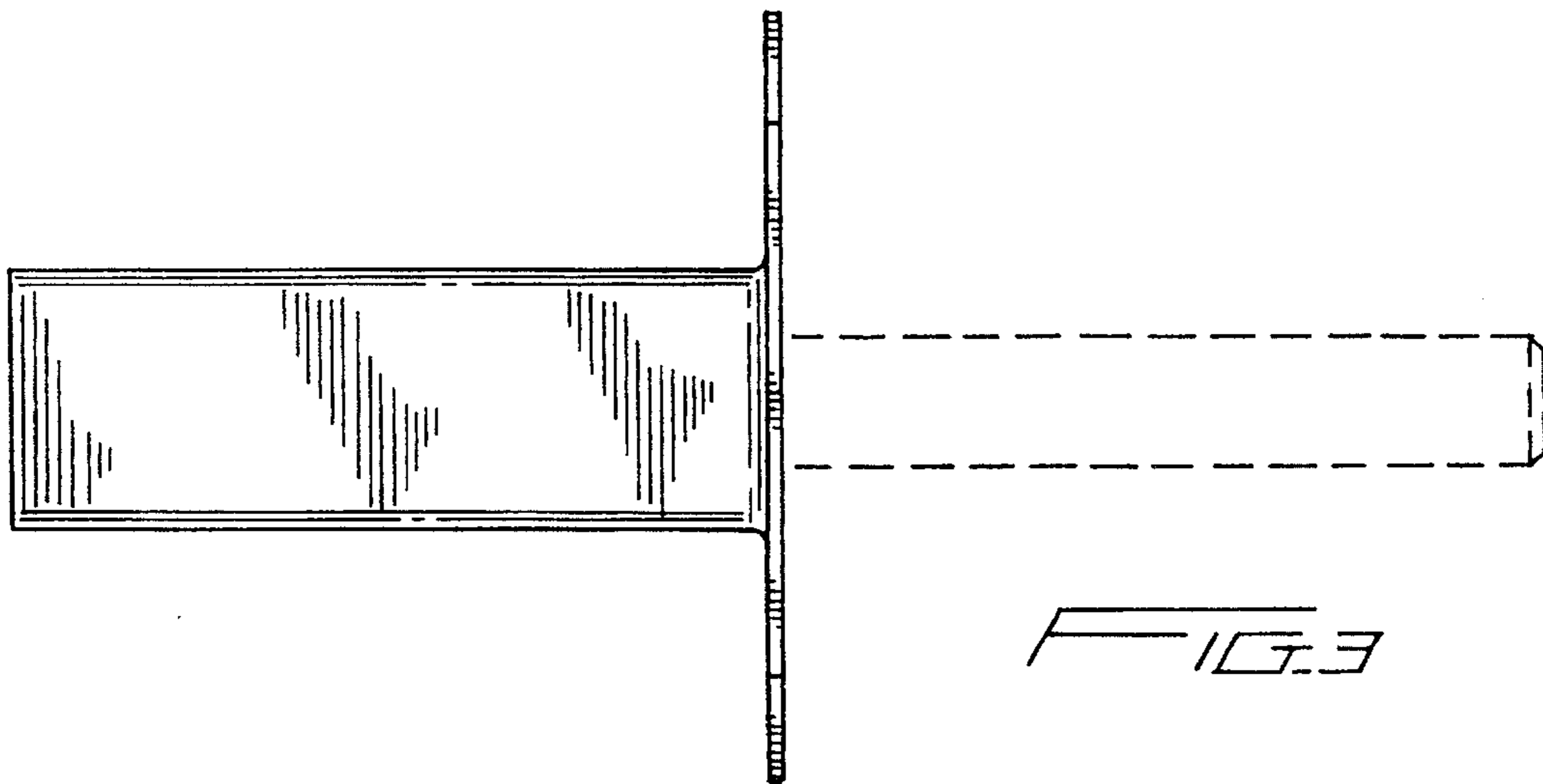
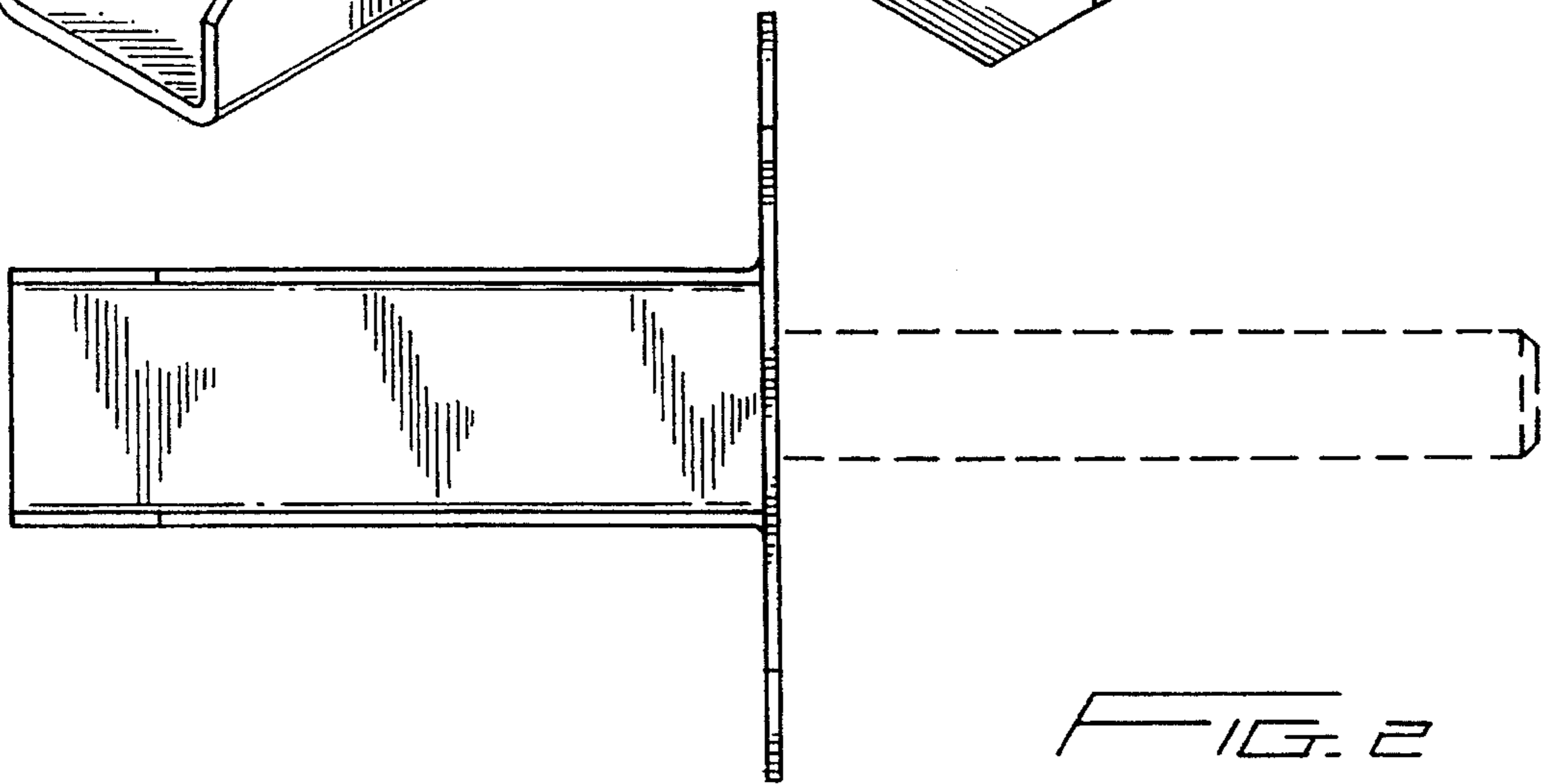
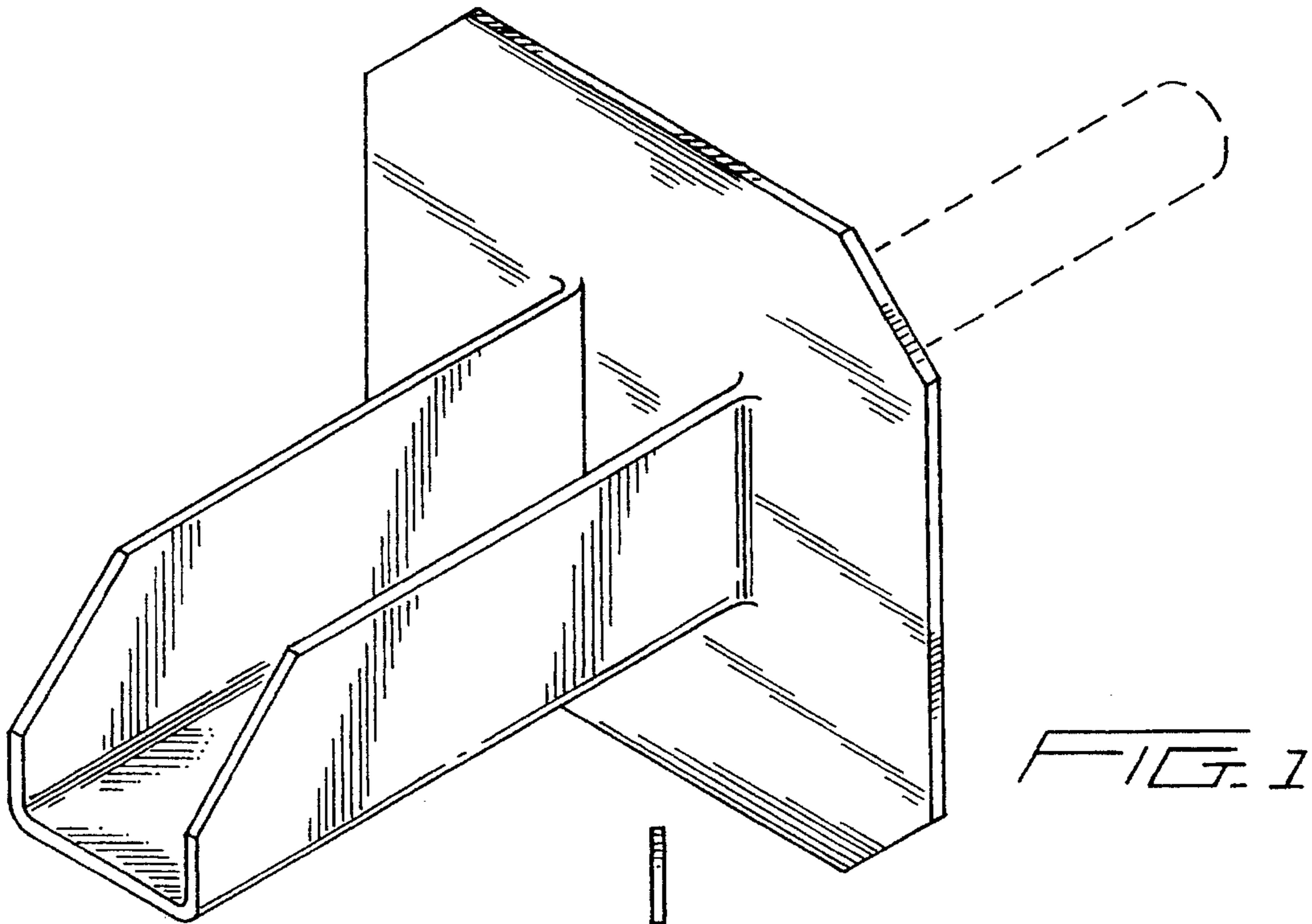
The handle is shown in broken lines for illustrative purposes only and forms no part of the claimed design.

FOREIGN PATENT DOCUMENTS

- 119003 4/1930 Austria 294/55

1 Claim, 3 Drawing Sheets





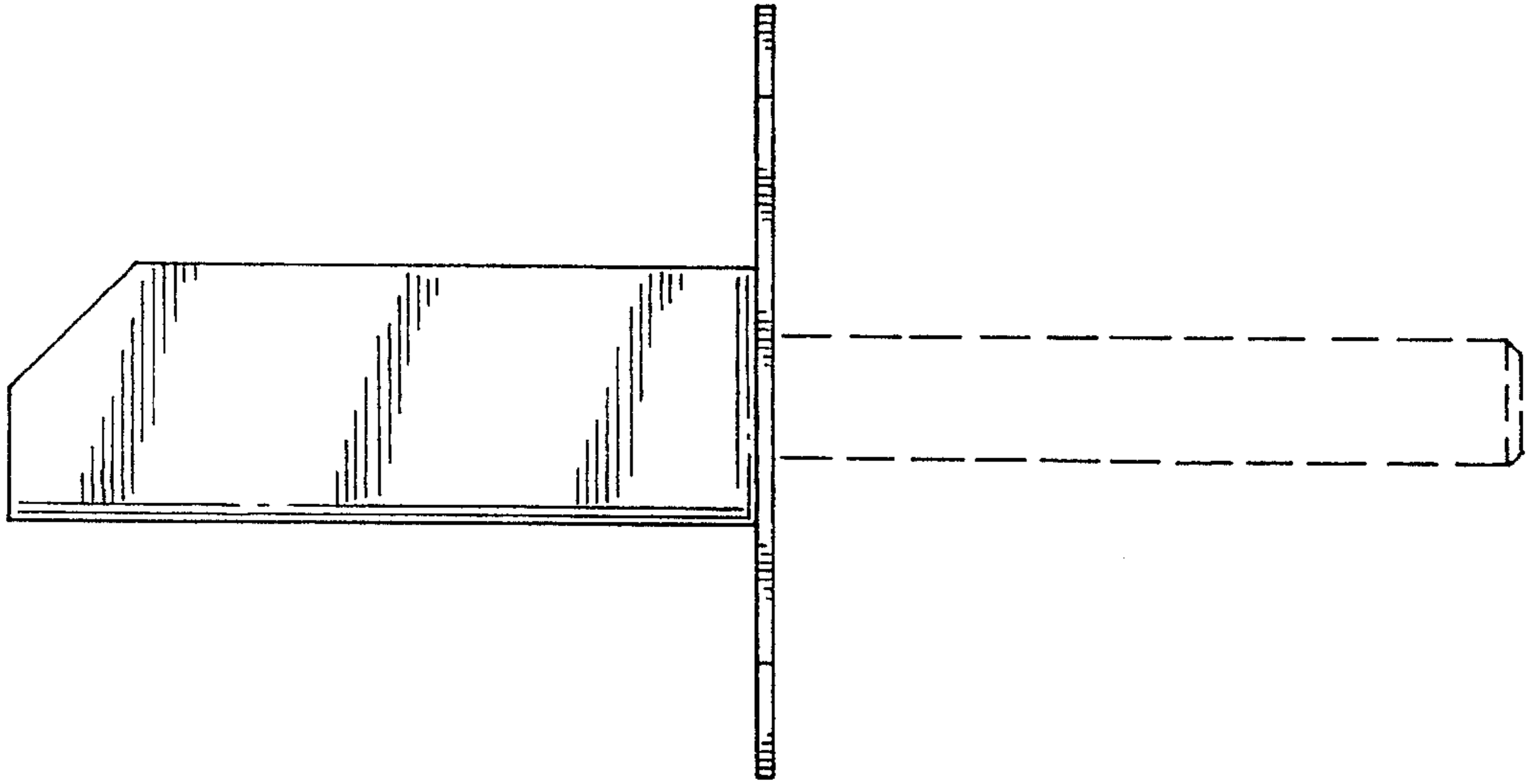


FIG. 4

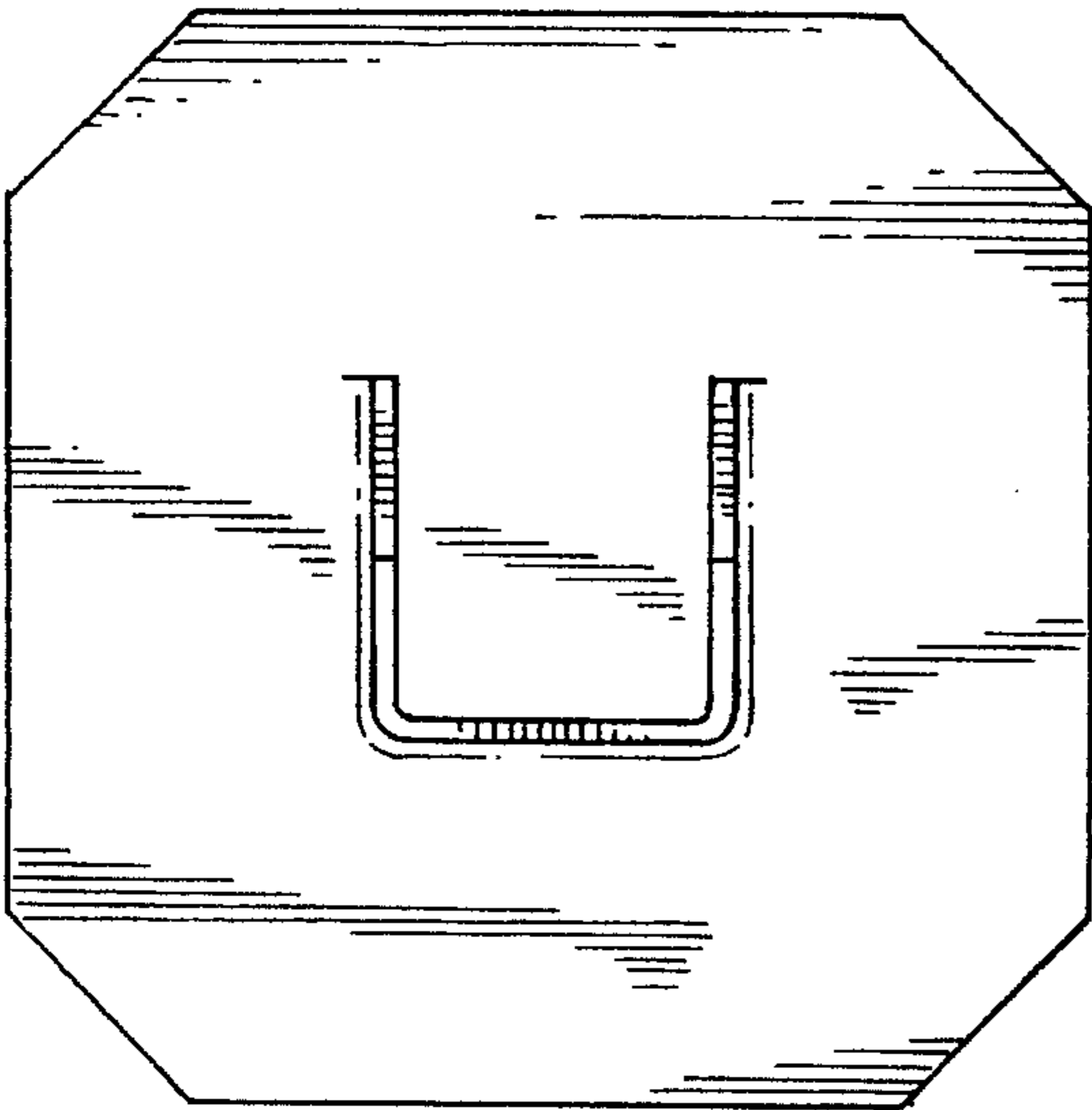


FIG. 5

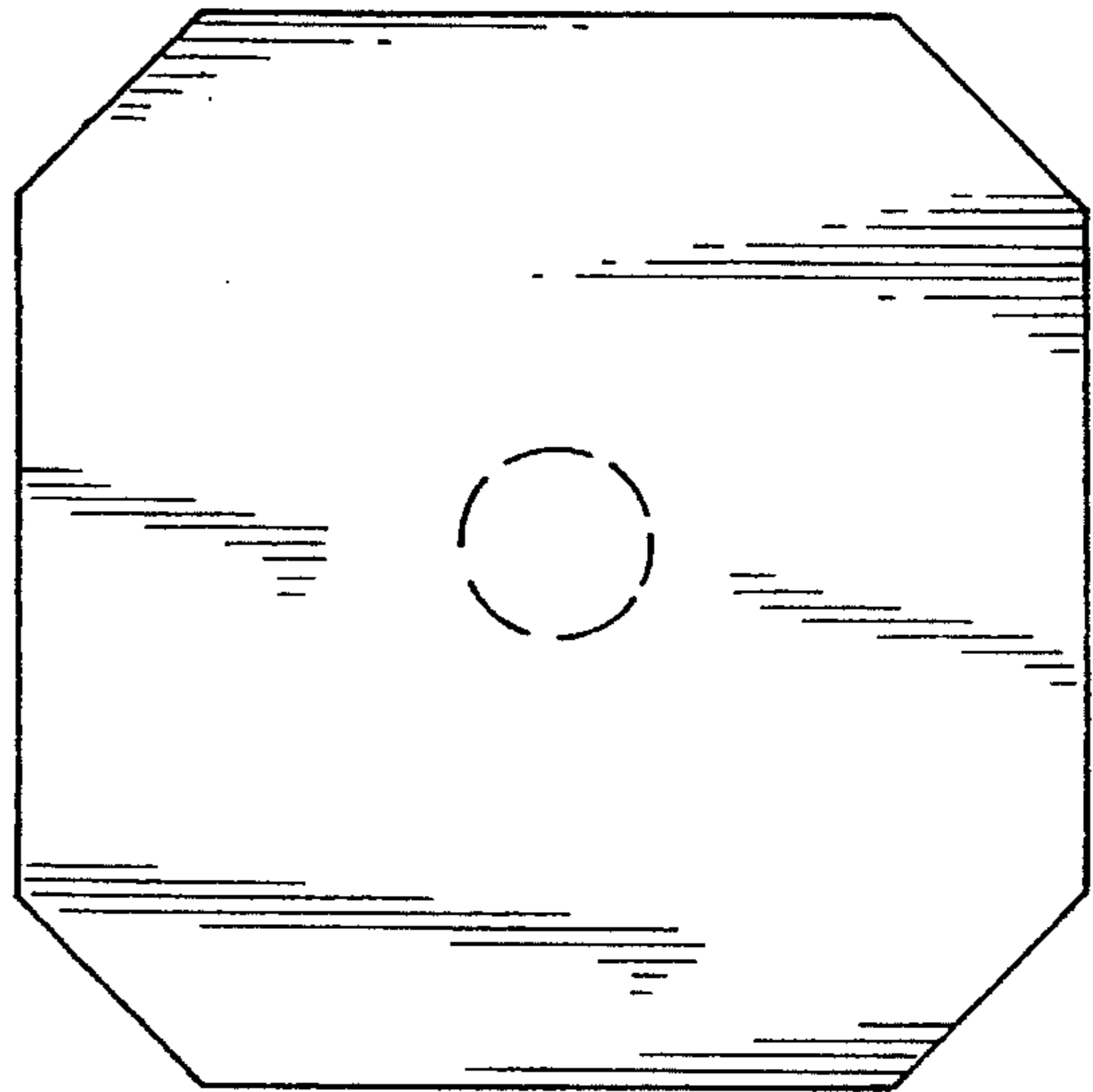


FIG. 6

FIG. 7

