



US00D376513S

United States Patent [19] Curry

[11] Patent Number: **Des. 376,513**

[45] Date of Patent: ****Dec. 17, 1996**

[54] **TEA BAG DISPENSER**

3,251,188 5/1966 Dean et al. 312/36

[76] Inventor: **John C. Curry**, P.O. Box 427, Port Richey, Fla. 34673-0427

Primary Examiner—Terry A. Wallace
Attorney, Agent, or Firm—Stanley M. Miller

[**] Term: **14 Years**

[57] **CLAIM**

[21] Appl. No.: **50,482**

The ornamental design for a tea bag dispenser, as shown and described.

[22] Filed: **Feb. 20, 1996**

DESCRIPTION

[52] U.S. Cl. **D7/589**; D6/515

[58] Field of Search D7/589, 590; D6/512, D6/515, 517; 211/13, 49.1, 71; 312/36, 42, 50, 60

FIG. 1 is top plan view of a tea bag dispenser, showing my new design;

FIG. 2 is a front elevational view thereof;

FIG. 3 is a right side elevational view thereof;

FIG. 4 is a bottom plan view thereof;

FIG. 5 is a left side elevational view thereof;

FIG. 6 is a rear elevational view thereof; and,

FIG. 7 is a perspective view thereof.

[56] References Cited

U.S. PATENT DOCUMENTS

D. 195,270	5/1963	Gant	D7/590 X
D. 203,870	2/1966	Holtkamp	D7/589
D. 206,818	1/1967	Fraser	D7/589
2,582,155	1/1952	Pedersen	312/42

1 Claim, 2 Drawing Sheets

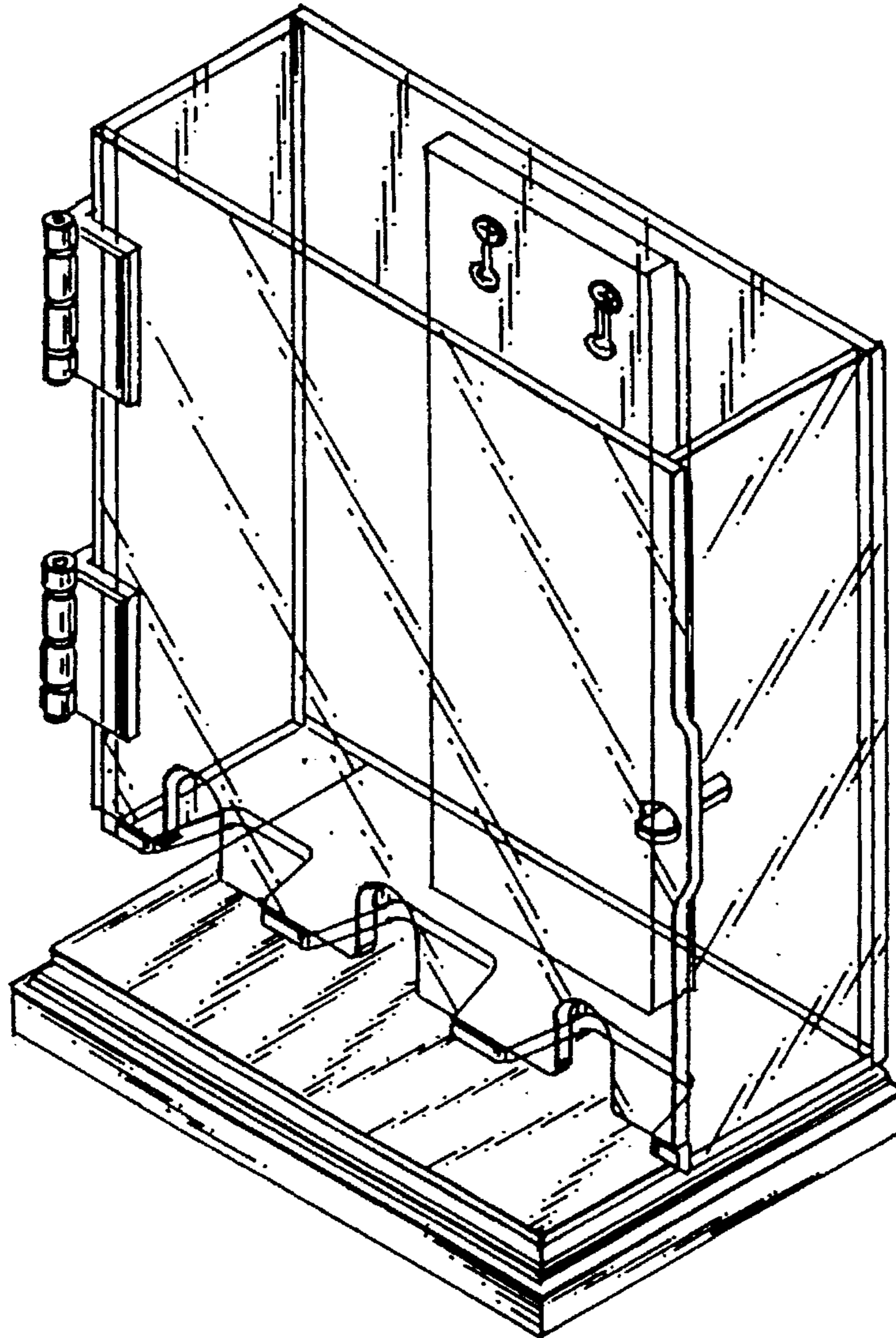


Fig. 1

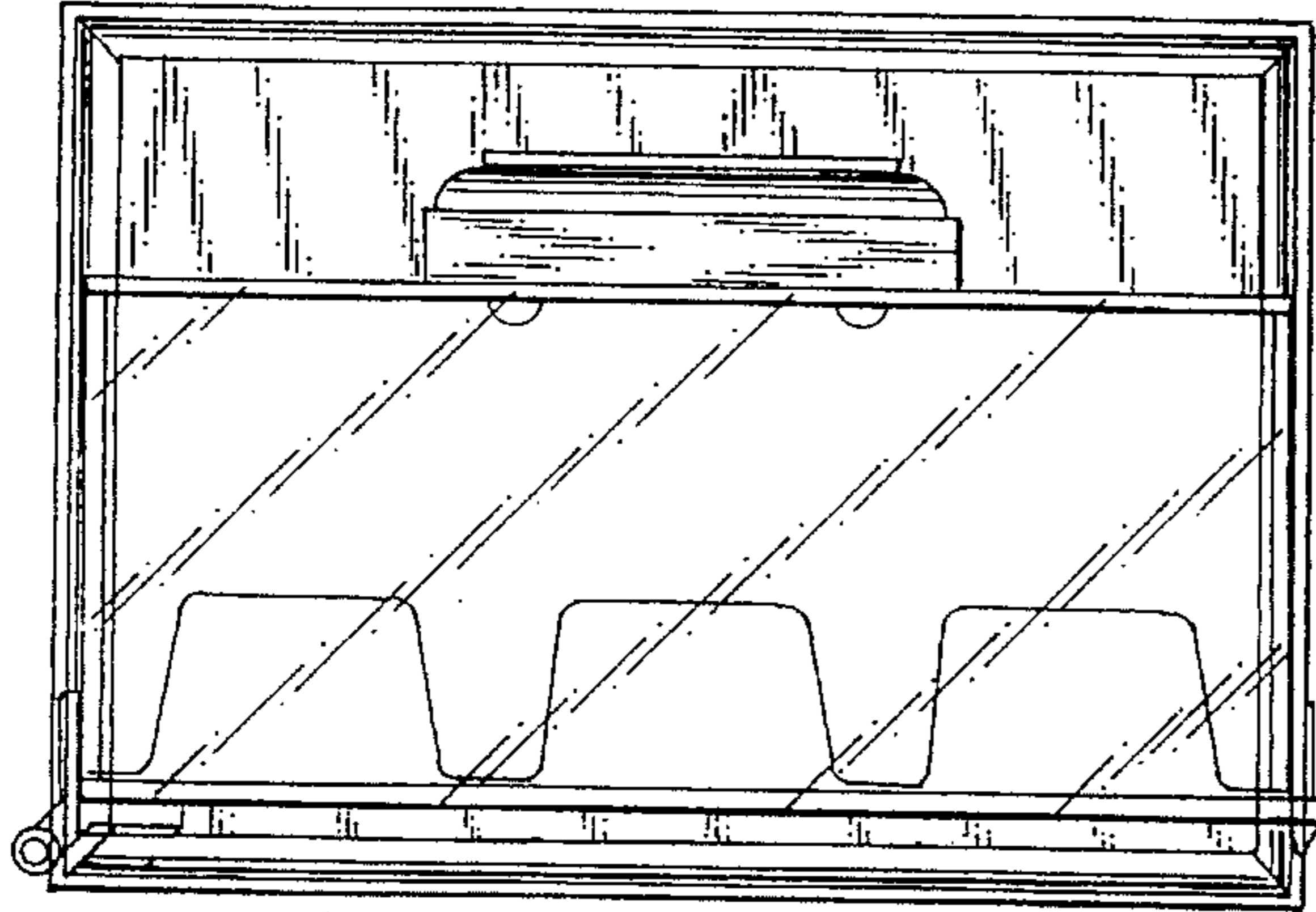


Fig. 2

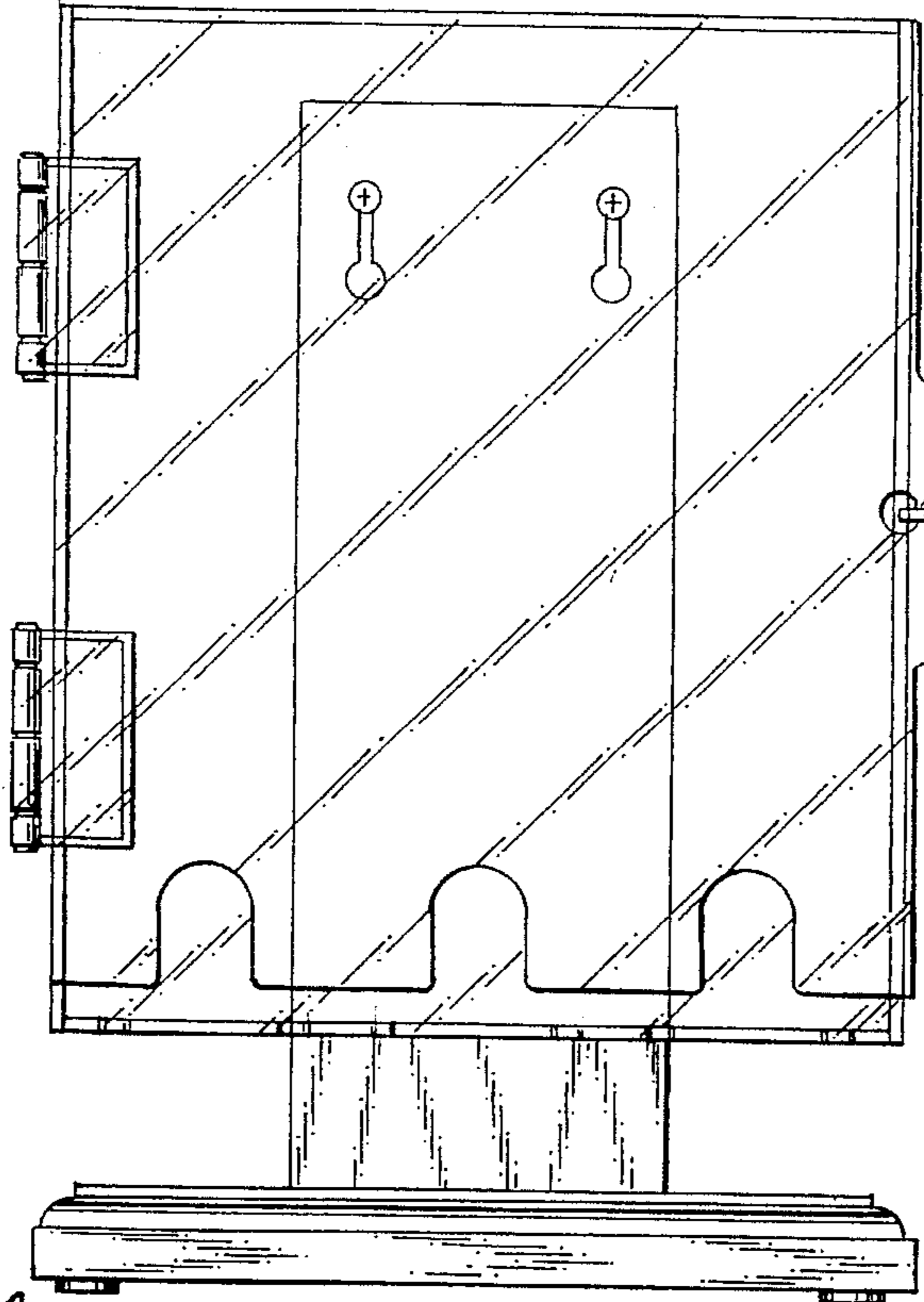


Fig. 3

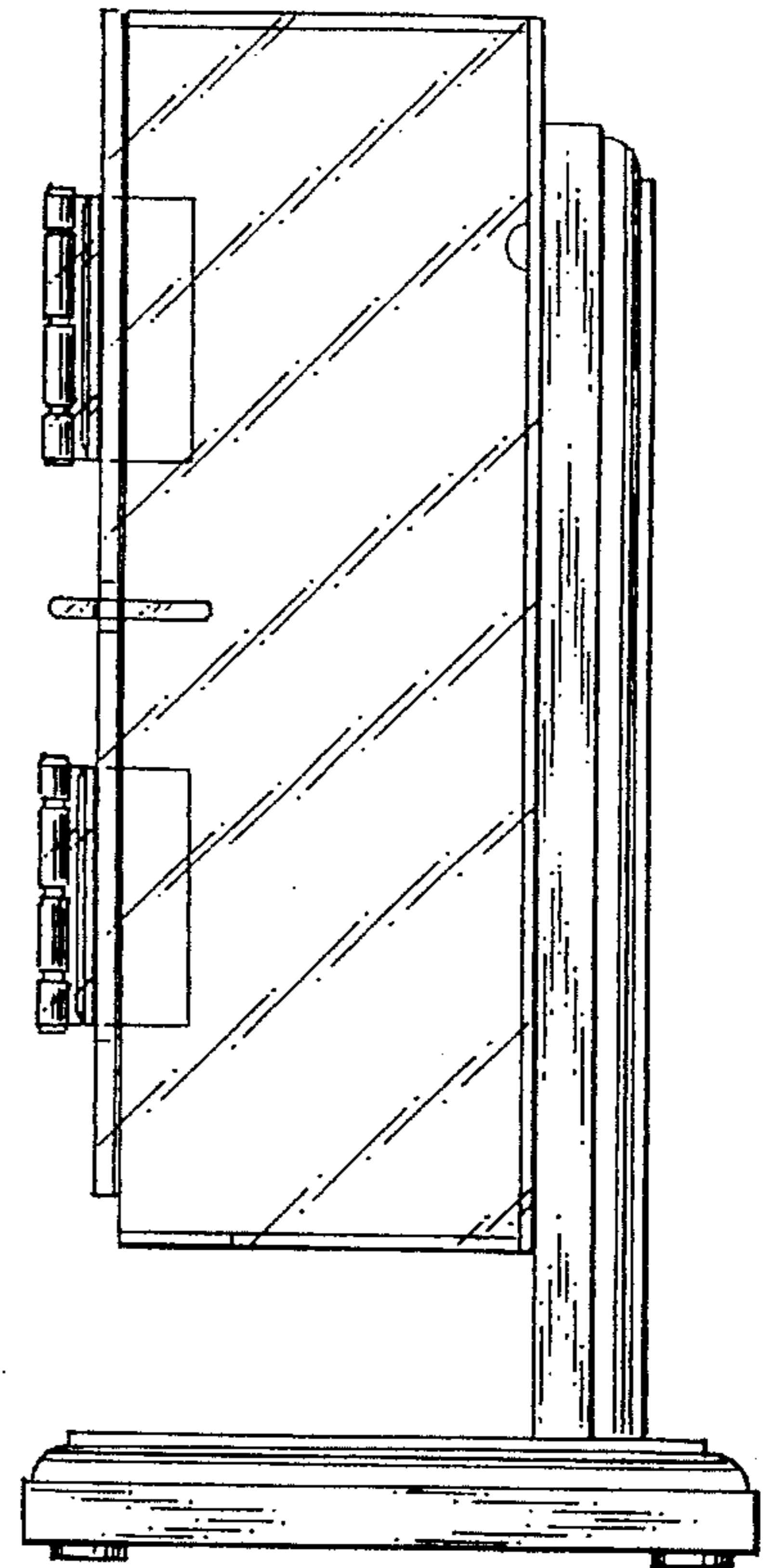


Fig. 4

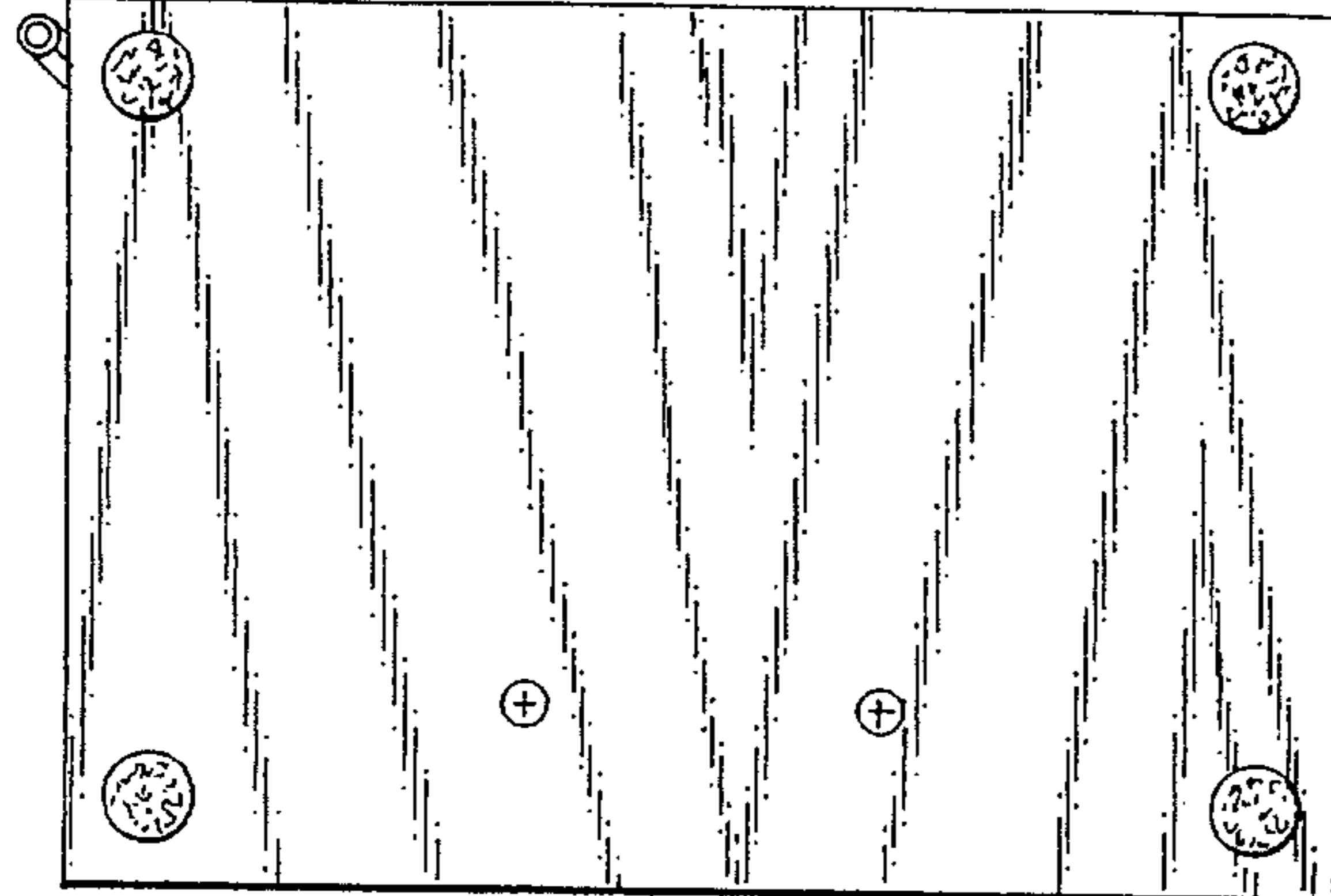


Fig. 7

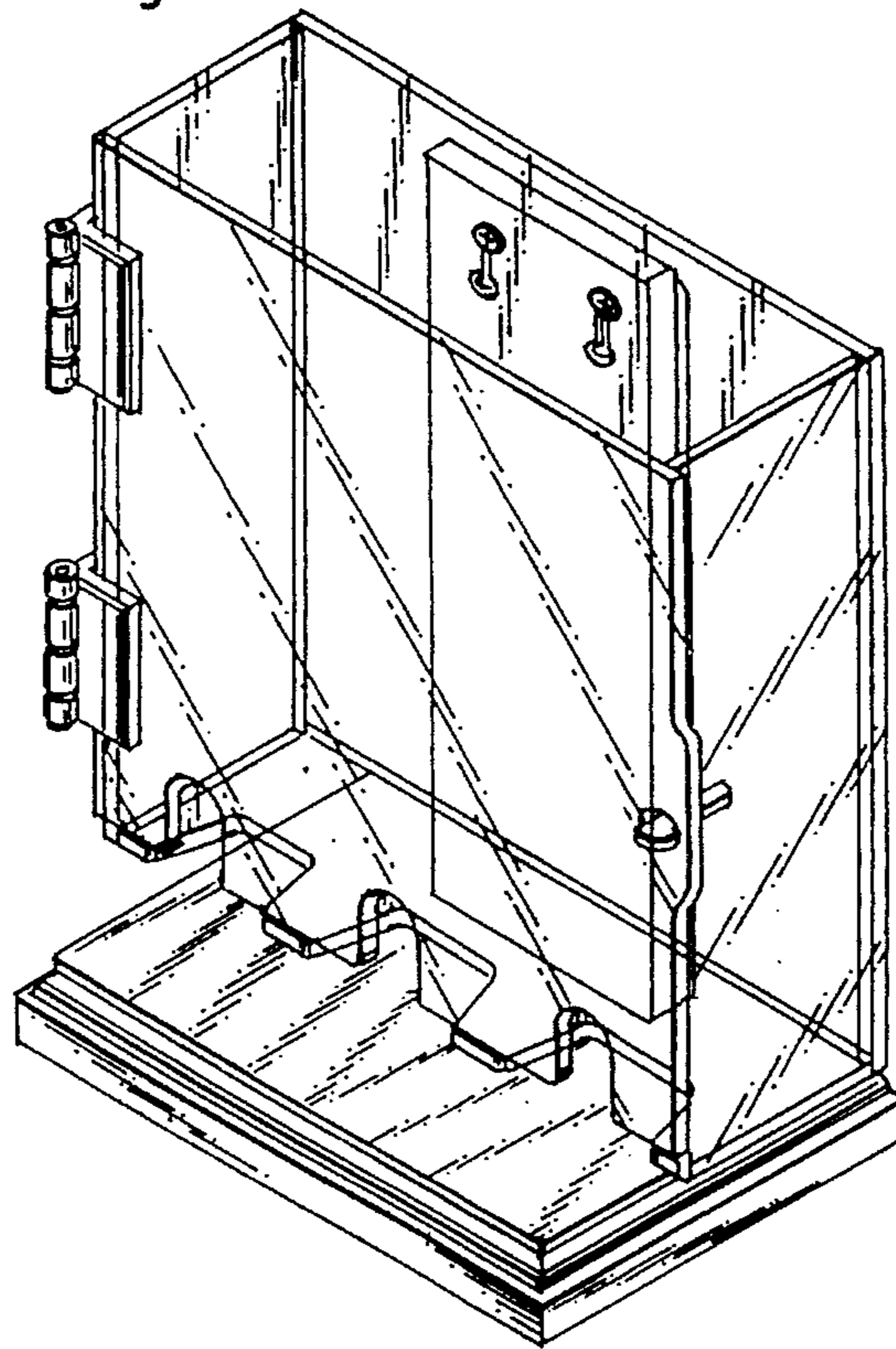


Fig. 5

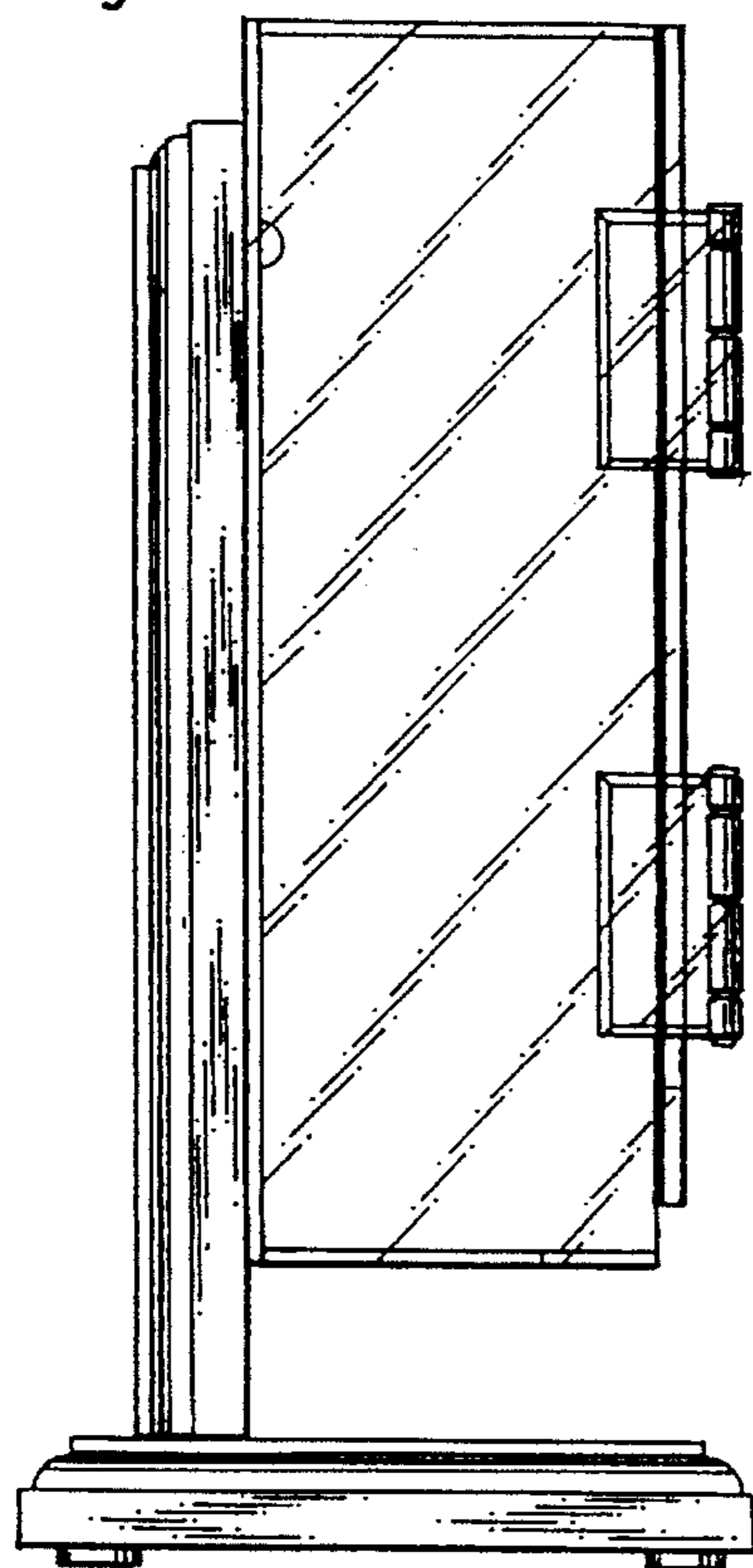


Fig. 6

