



US00D376494S

# United States Patent [19]

[11] Patent Number: **Des. 376,494**

Brunner et al.

[45] Date of Patent: **\*\*Dec. 17, 1996**

[54] NIGHT STAND

[75] Inventors: **Merlin A. Brunner**, Appleton; **Harvey J. Draheim**, Weyauwega, both of Wis.

[73] Assignee: **Simmons Juvenile Products Company, Inc.**, New London, Wis.

[\*\*] Term: **14 Years**

[21] Appl. No.: **38,731**

[22] Filed: **May 12, 1995**

[52] U.S. Cl. .... **D6/445**

[58] Field of Search ..... D6/432-448; 312/204, 312/257

### [56] References Cited

#### U.S. PATENT DOCUMENTS

D. 272,210	1/1984	Brunner et al. ....	D6/446
D. 274,963	8/1984	Brunner et al. ....	D6/446
D. 357,602	4/1995	Brunner et al. ....	D6/446

#### OTHER PUBLICATIONS

Simmons "Little Folks" 1985 cat #94 p. 21; dresser base #4201 on page.

Simmons "Little Folks" 1988 cat #97, p. 17; nightstand #4302 and dresser base #4301 on page.

Simmons "Little Folks" 1988 cat #97, p. 23; dresser base #4901 on page.

*Wards F/W 1974 p. 1272 shirt chest item #2 on page.*  
*The Encyclopedia of Furniture 3rd edition ©1965 p. 119 Louis XV Marquetry Bombe chest on stand. top left on page.*

*Primary Examiner—Carmen H. Vales-Lado*  
*Attorney, Agent, or Firm—Hoffmann & Baron*

### [57] CLAIM

The ornamental design for a night stand, as shown and described.

### DESCRIPTION

FIG. 1 is a top perspective view of a night stand showing our new design;

FIG. 2 is a top plan view thereof;

FIG. 3 is a front elevation view thereof;

FIG. 4 is a side elevation view thereof, the opposite side being a mirror image thereof;

FIG. 5 is a rear elevation view thereof;

FIG. 6 is a bottom plan view thereof;

FIG. 7 is an enlarged sectional view taken along line 7—7 of FIG. 3;

FIG. 8 is an enlarged sectional view taken along line 8—8 of FIG. 3; and,

FIG. 9 is an enlarged sectional view taken along line 9—9 of FIG. 3.

**1 Claim, 4 Drawing Sheets**

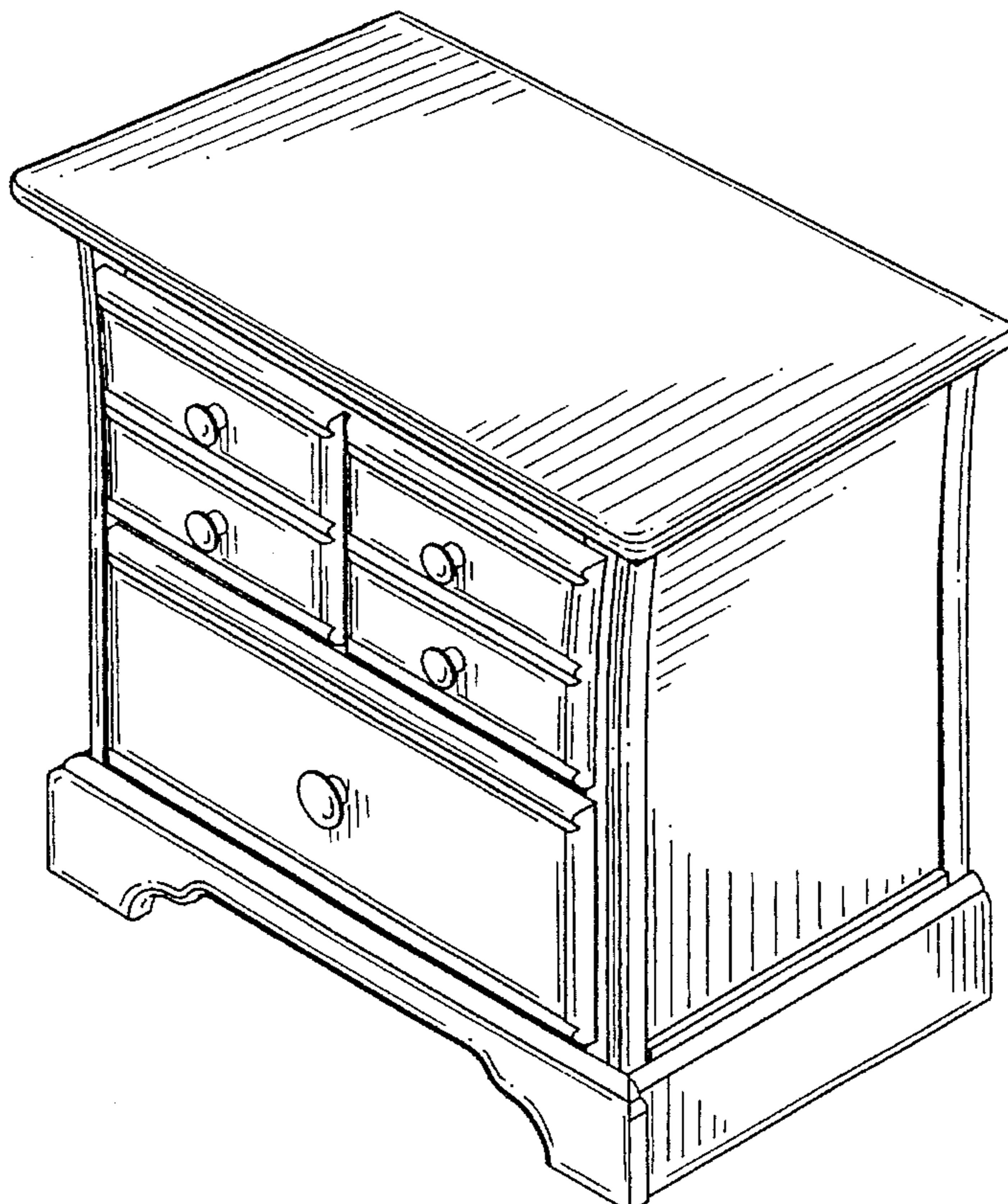


FIG-1

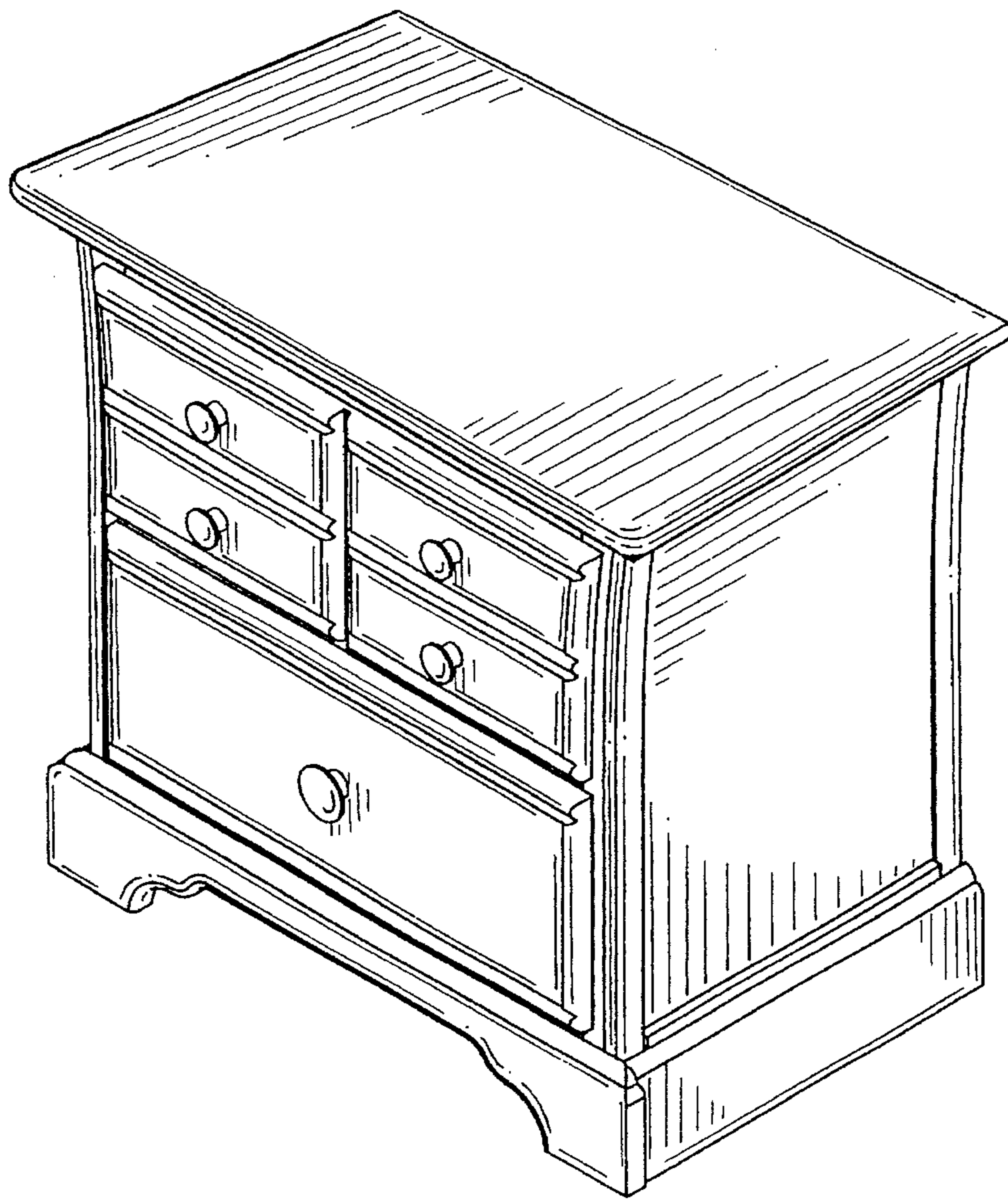


FIG-2

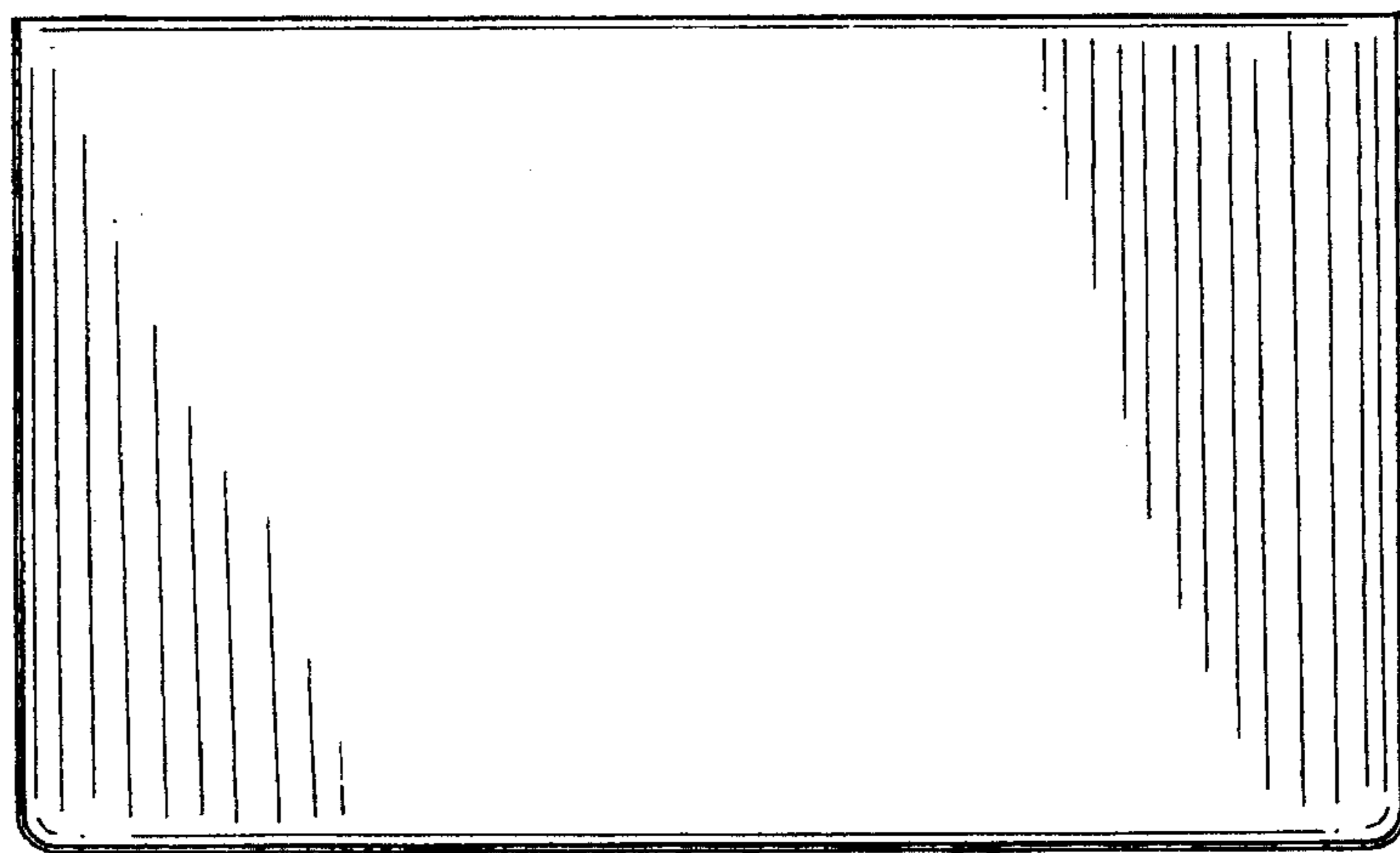


FIG-3

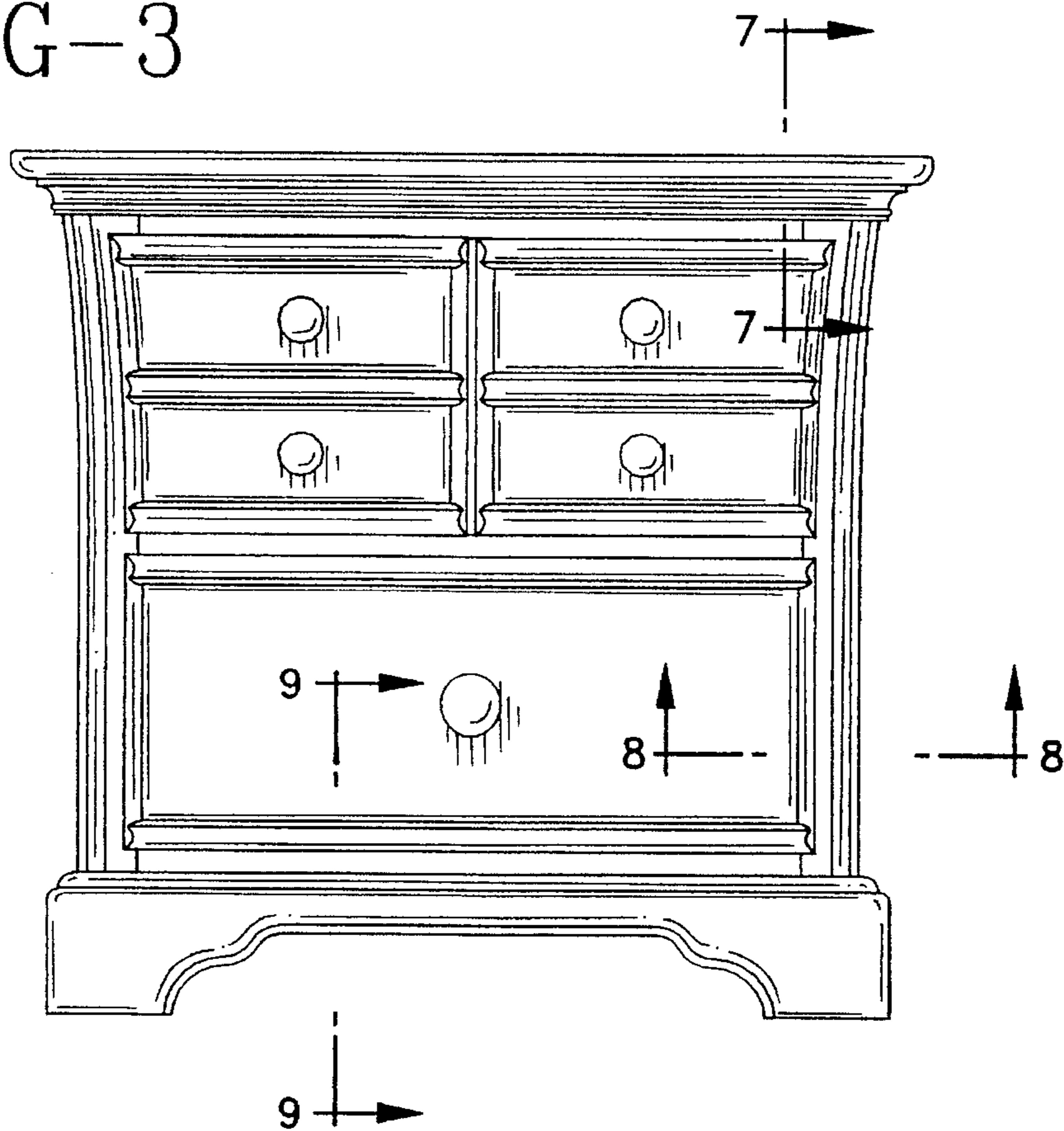


FIG-4

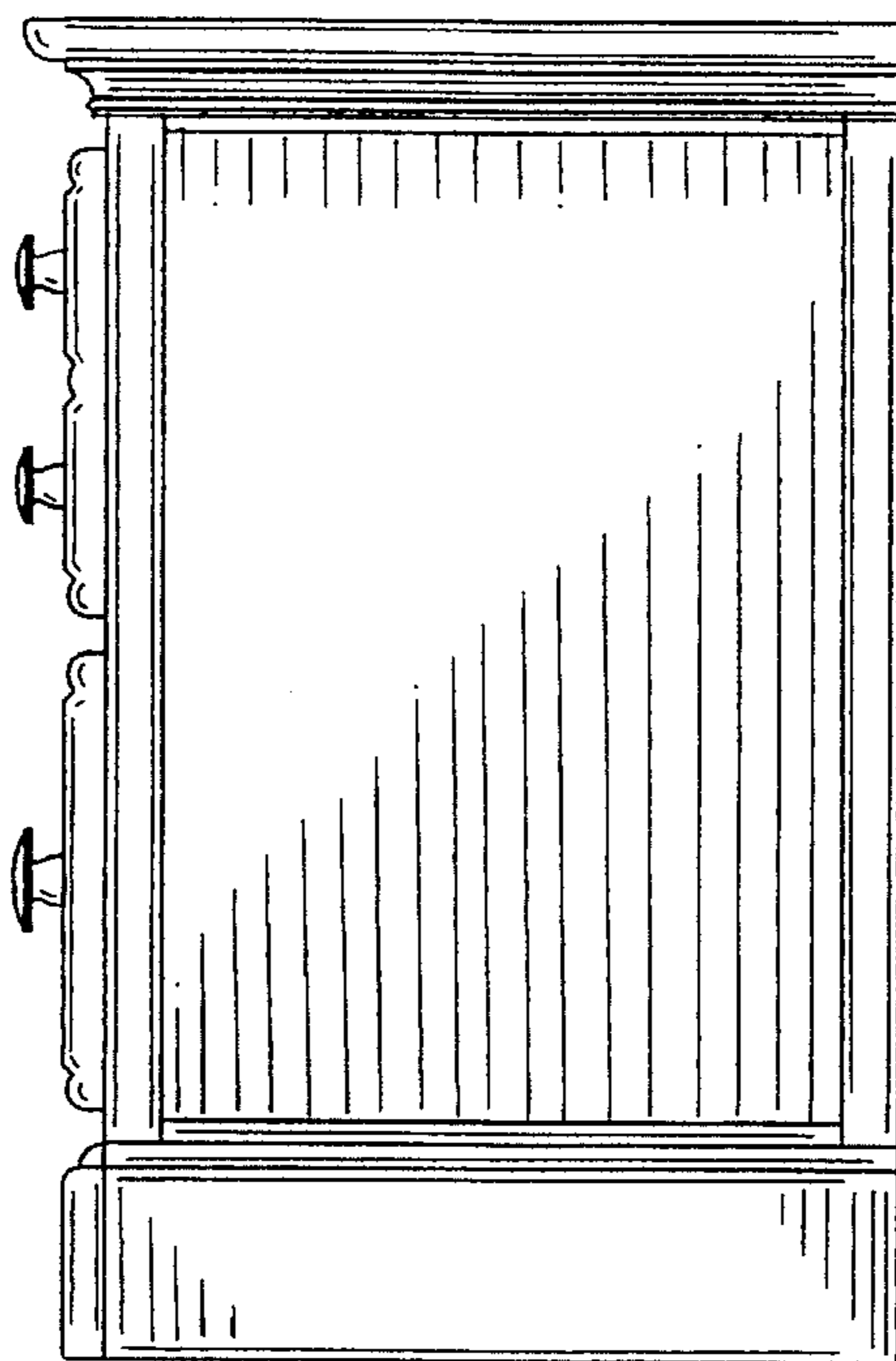




FIG-5

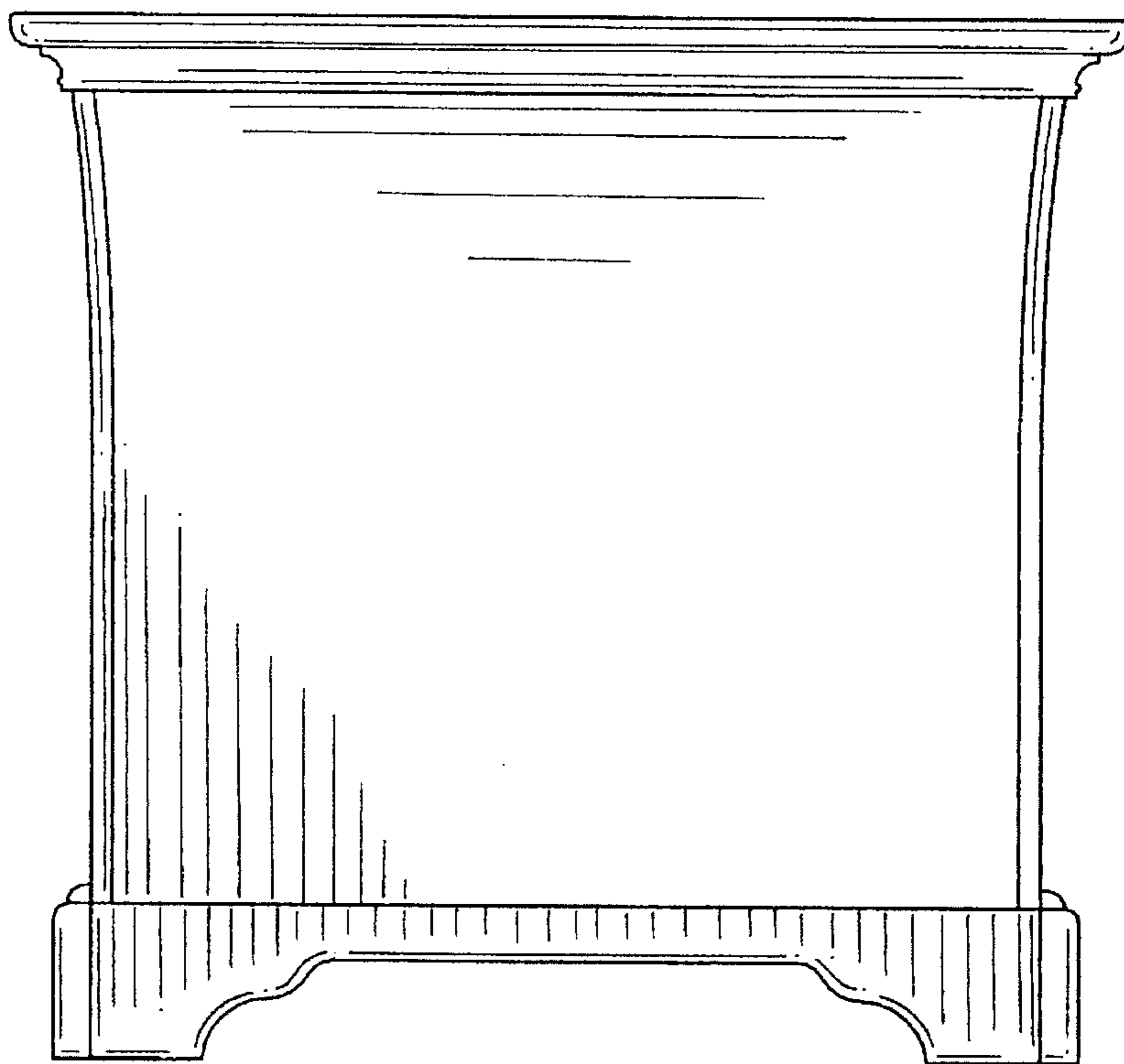


FIG-6

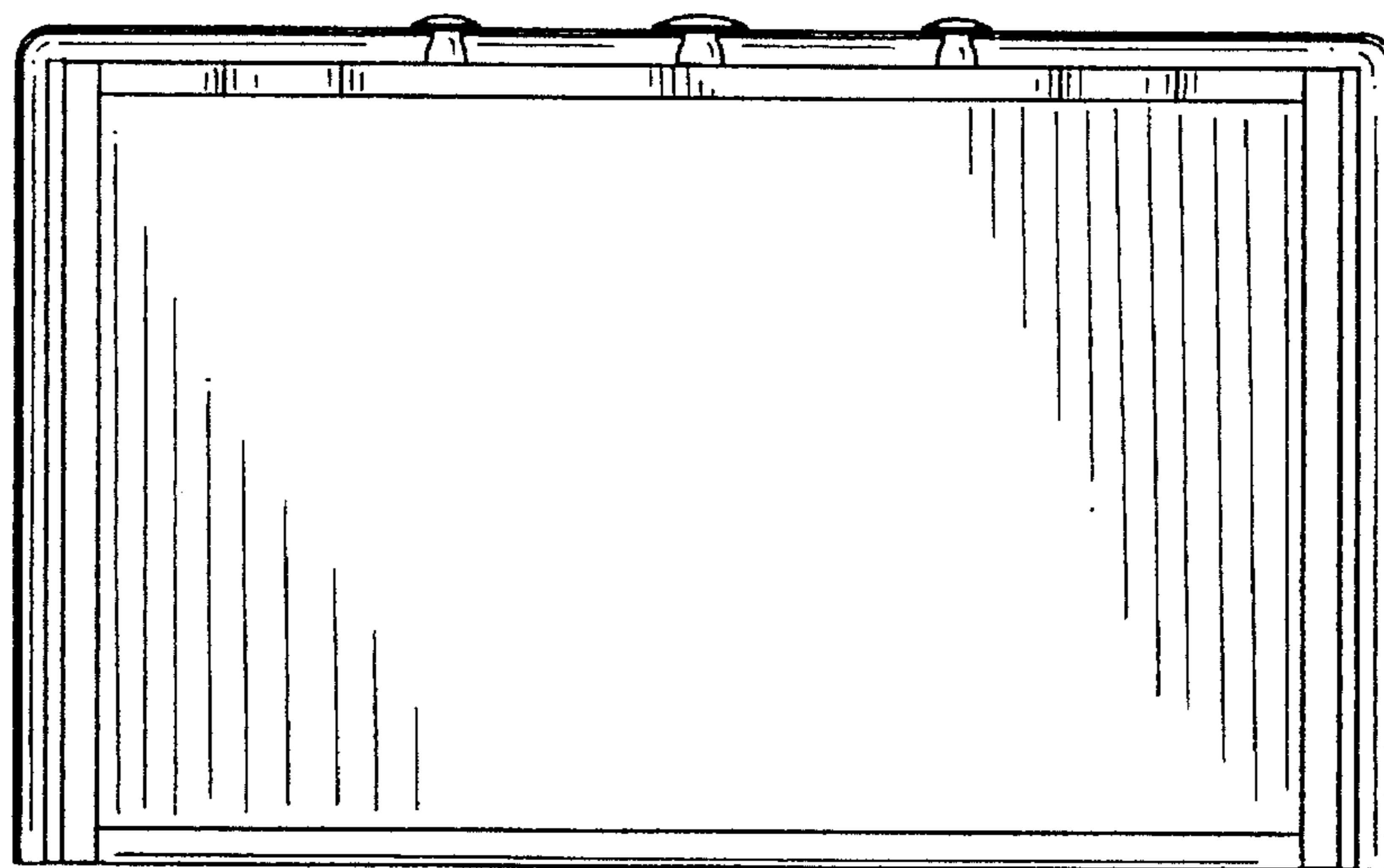


FIG-7

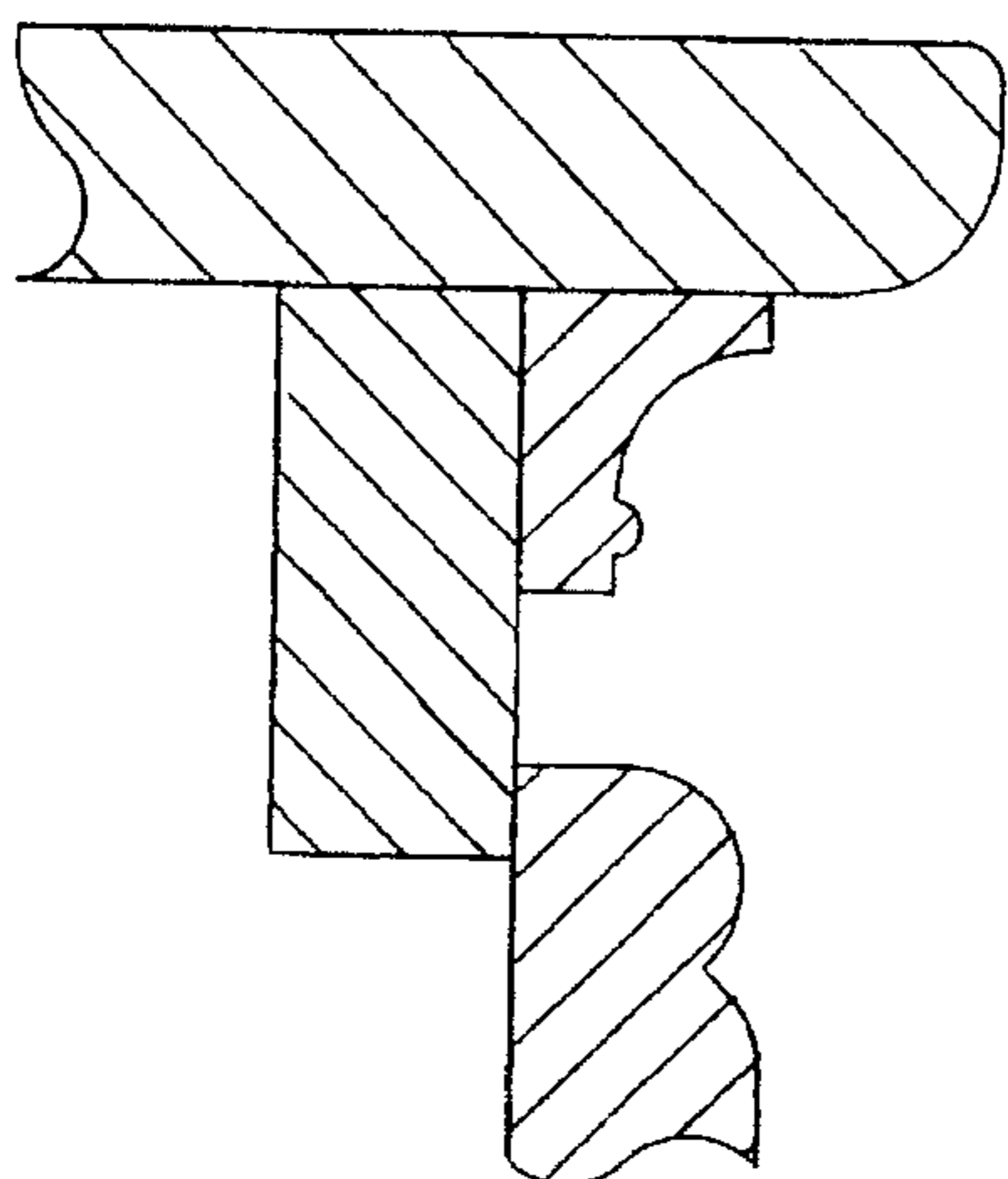


FIG-8

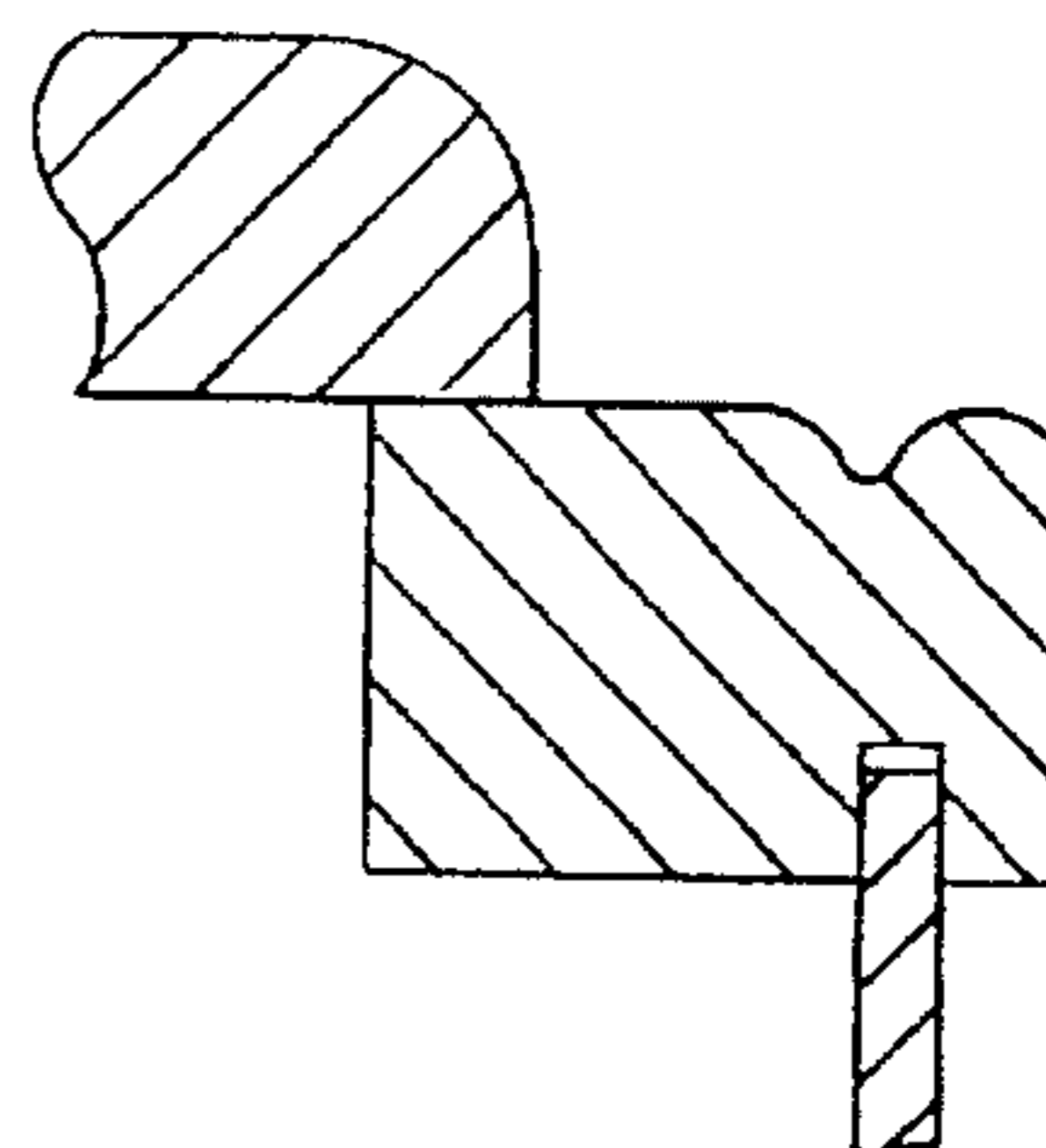


FIG-9

