



US00D376490S

United States Patent [19]

[11] Patent Number: **Des. 376,490**

Paus

[45] Date of Patent: ****Dec. 17, 1996**

[54] **BED**

Attorney, Agent, or Firm—Edgar A. Zarins; Malcolm L. Sutherland

[75] Inventor: **Michael J. Paus**, High Point, N.C.

[73] Assignee: **Universal Furniture Industries, Inc.**, High Point, N.C.

[57] CLAIM

[**] Term: **14 Years**

The ornamental design for a bed, as shown and described.

[21] Appl. No.: **36,568**

DESCRIPTION

[22] Filed: **Mar. 22, 1995**

FIG. 1 is a perspective view of a bed showing my new design;

[52] U.S. Cl. **D6/393**

[58] Field of Search D6/382, 383, 387-395, D6/505-508; 5/53.1, 279.1, 280, 281, 907

FIG. 2 is a front elevational view thereof;

[56] References Cited

FIG. 3 is a right side view thereof, the opposite side being a mirror image of the side shown;

U.S. PATENT DOCUMENTS

D. 90,255 7/1933 McClure D6/393
D. 90,256 7/1933 McClure D6/393

FIG. 4 is a rear perspective view thereof; and,

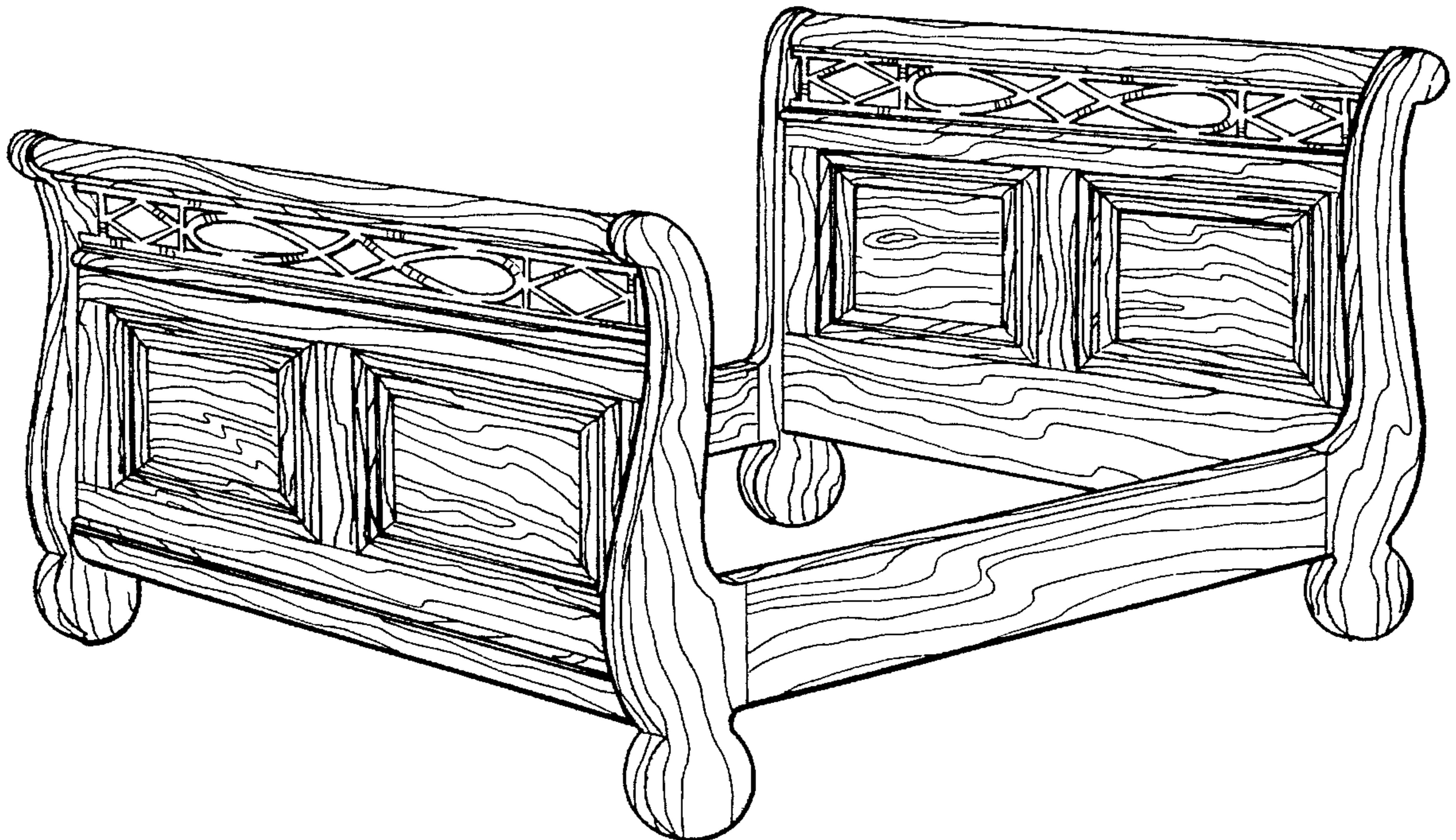
OTHER PUBLICATIONS

Ethan Allen ©1992, p. 253, bed #4 at center.
Schoner Wohnen, May 1984, p. 49, bed at bottom.

FIG. 5 is a cross-sectional view taken along lines 5—5 of FIG. 1.

Primary Examiner—Janice E. Seeger

1 Claim, 4 Drawing Sheets



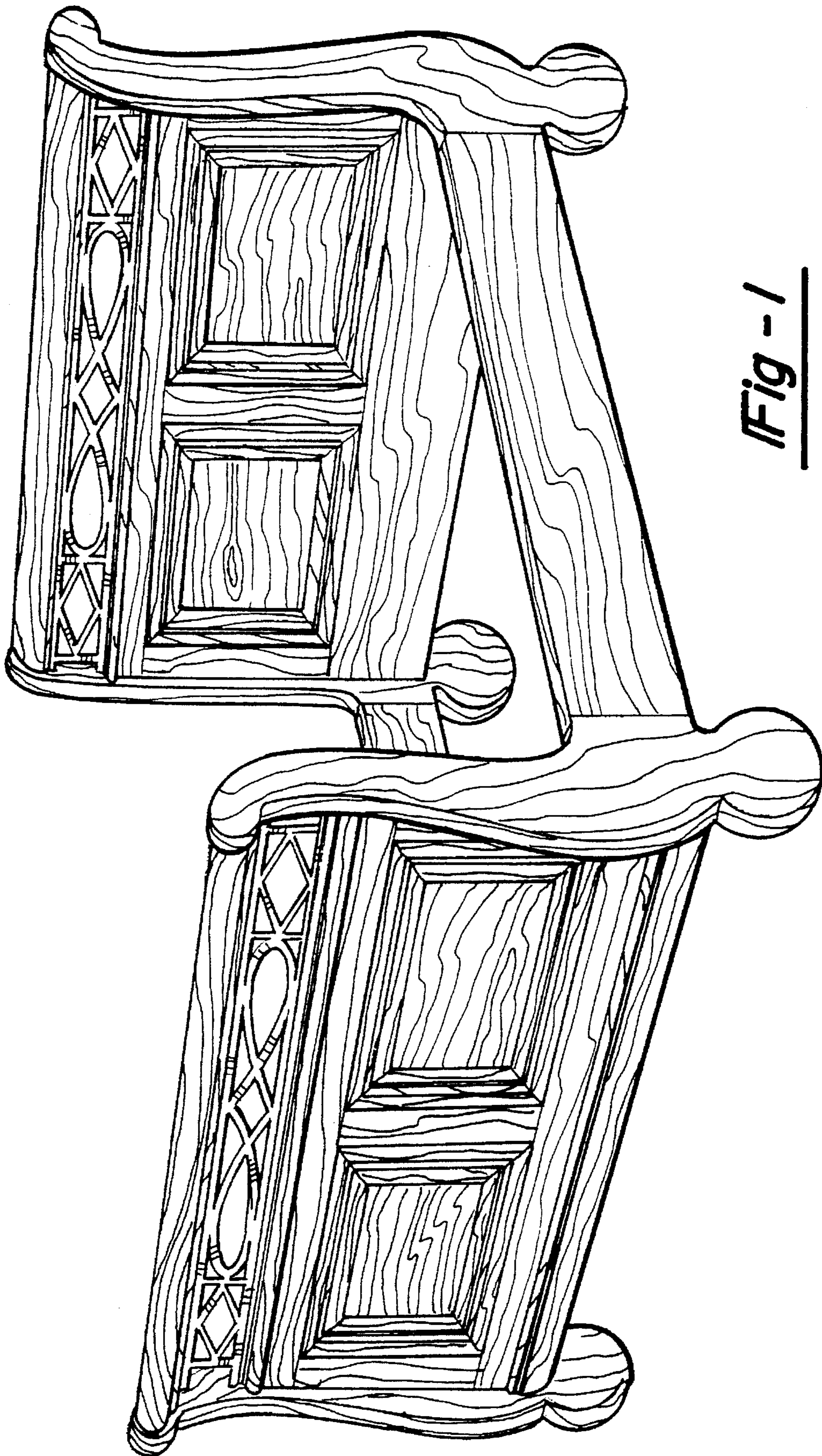


Fig. 1

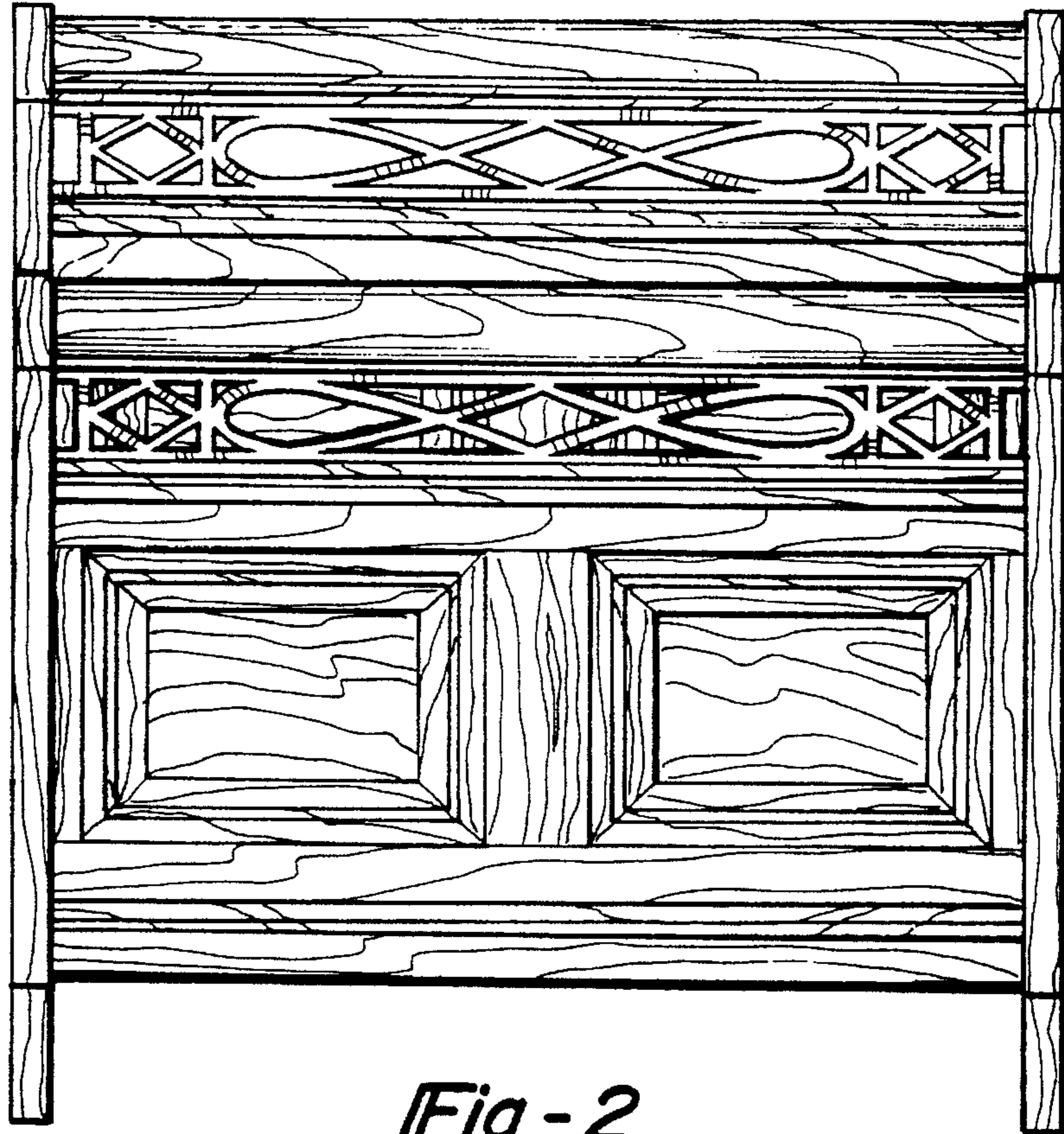


Fig - 2

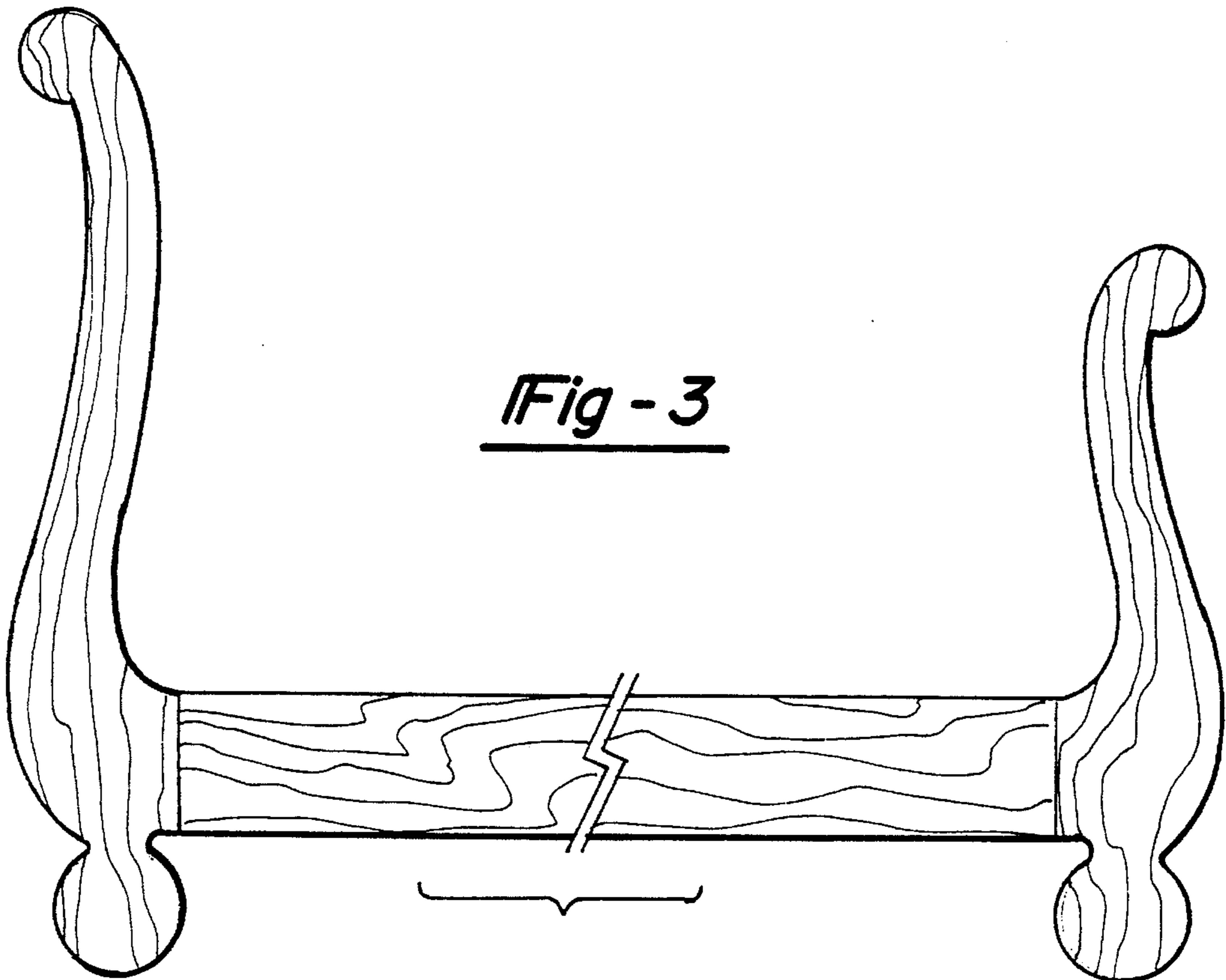


Fig - 3

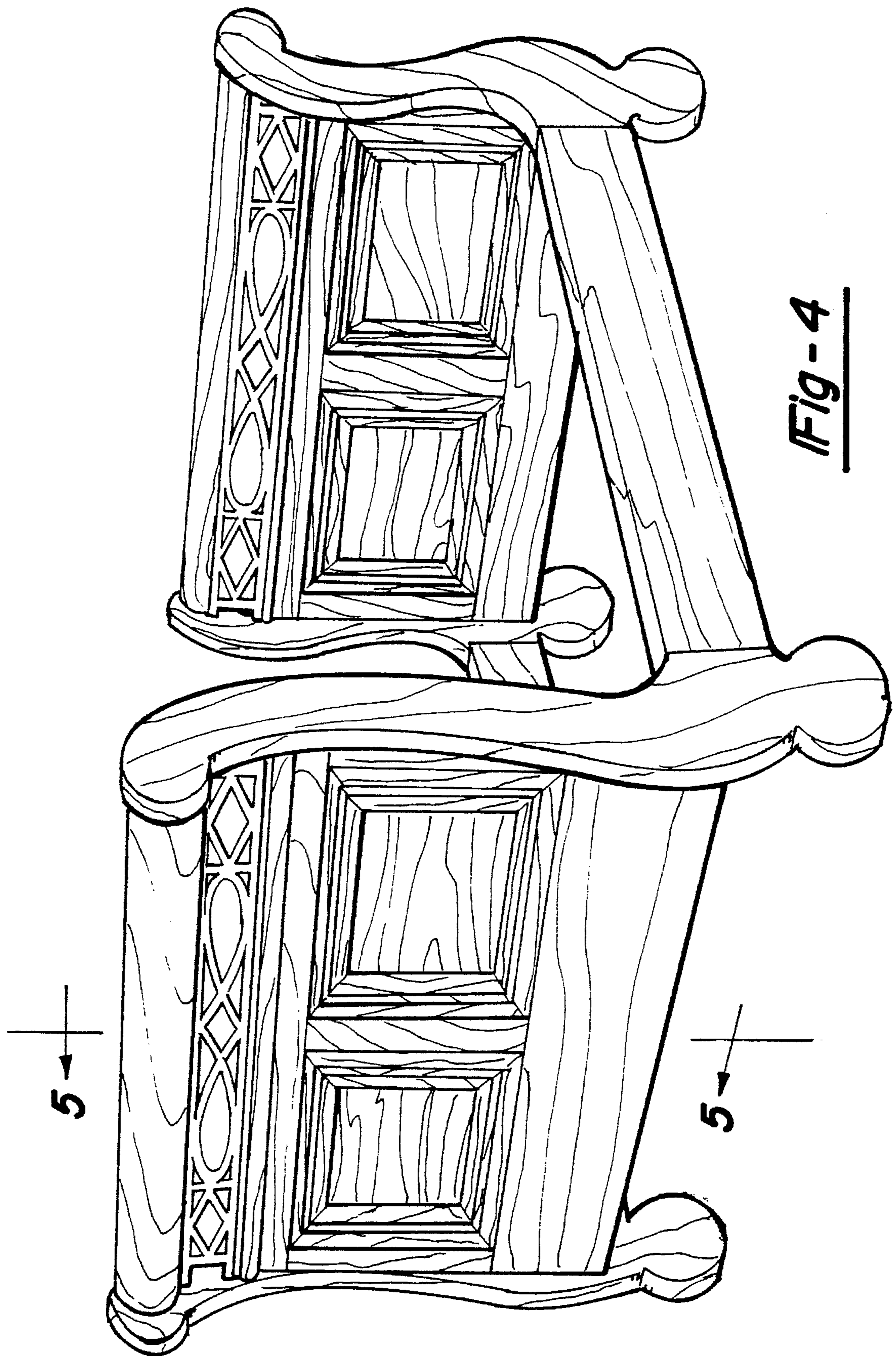


Fig-4

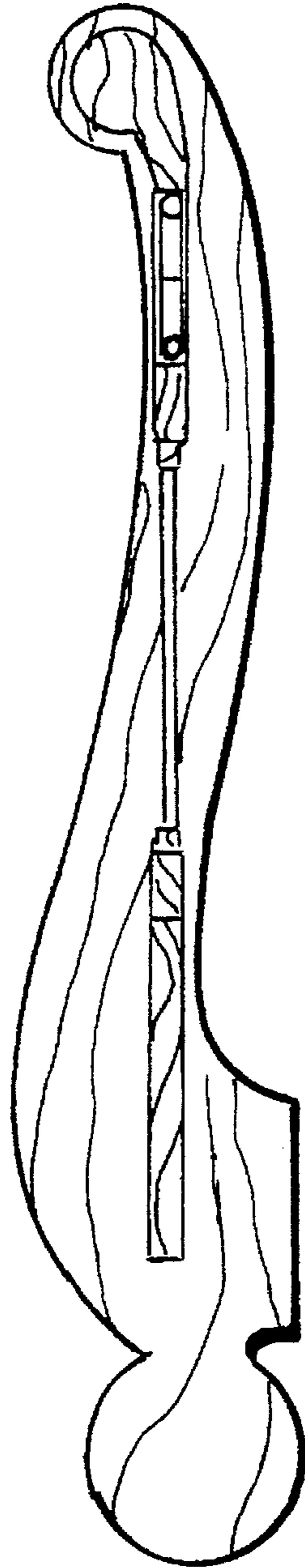


Fig - 5