



US00D376489S

United States Patent [19]

[11] Patent Number: **Des. 376,489**

Cain

[45] Date of Patent: ****Dec. 17, 1996**

[54] **BEDSTEAD**

1,700,338 1/1929 Scoggins D6/393 X

[75] Inventor: **Charles C. Cain**, High Point, N.C.

OTHER PUBLICATIONS

[73] Assignee: **Thomasville Furniture Industries, Inc.**, Thomasville, N.C.

American of Martinsville, Moongate, bed at top.
Best 1992-23, #12 at bottom.
Thomasville Terrace Garden catalog, p. 3, Oct. 1992.

[**] Term: **14 Years**

Primary Examiner—Janice E. Seeger
Attorney, Agent, or Firm—Rhodes, Coats & Bennett, L.L.P.

[21] Appl. No.: **29,991**

[57] CLAIM

[22] Filed: **Oct. 20, 1994**

The ornamental design for a bedstead, as shown and described.

[52] U.S. Cl. **D6/393**

[58] Field of Search D6/382, 383, 388,
D6/389-395, 505-508; 5/53.1, 279.1

DESCRIPTION

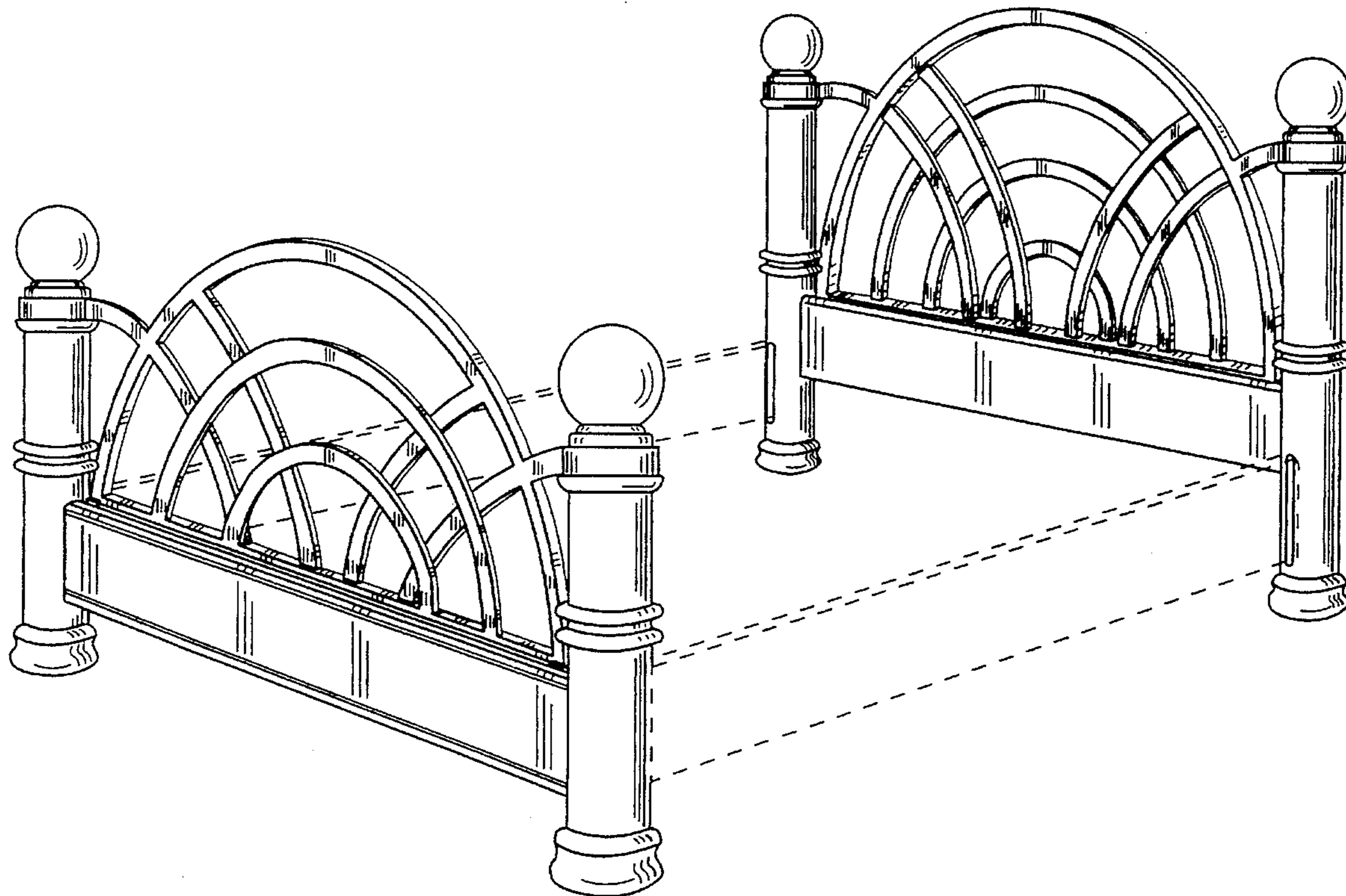
[56] References Cited

FIG. 1 is a front perspective view of my new design, the broken lines shown throughout illustrating environmental elements only;
FIG. 2 is a side elevational view thereof; and,
FIG. 3 is a rear perspective view thereof.

U.S. PATENT DOCUMENTS

D. 21,856	9/1892	Wilcox	D6/394
D. 86,064	1/1932	Squires	D6/383 X
D. 261,336	10/1981	Thorpe	D6/507
D. 321,383	11/1991	Monneret	D6/393 X

1 Claim, 3 Drawing Sheets



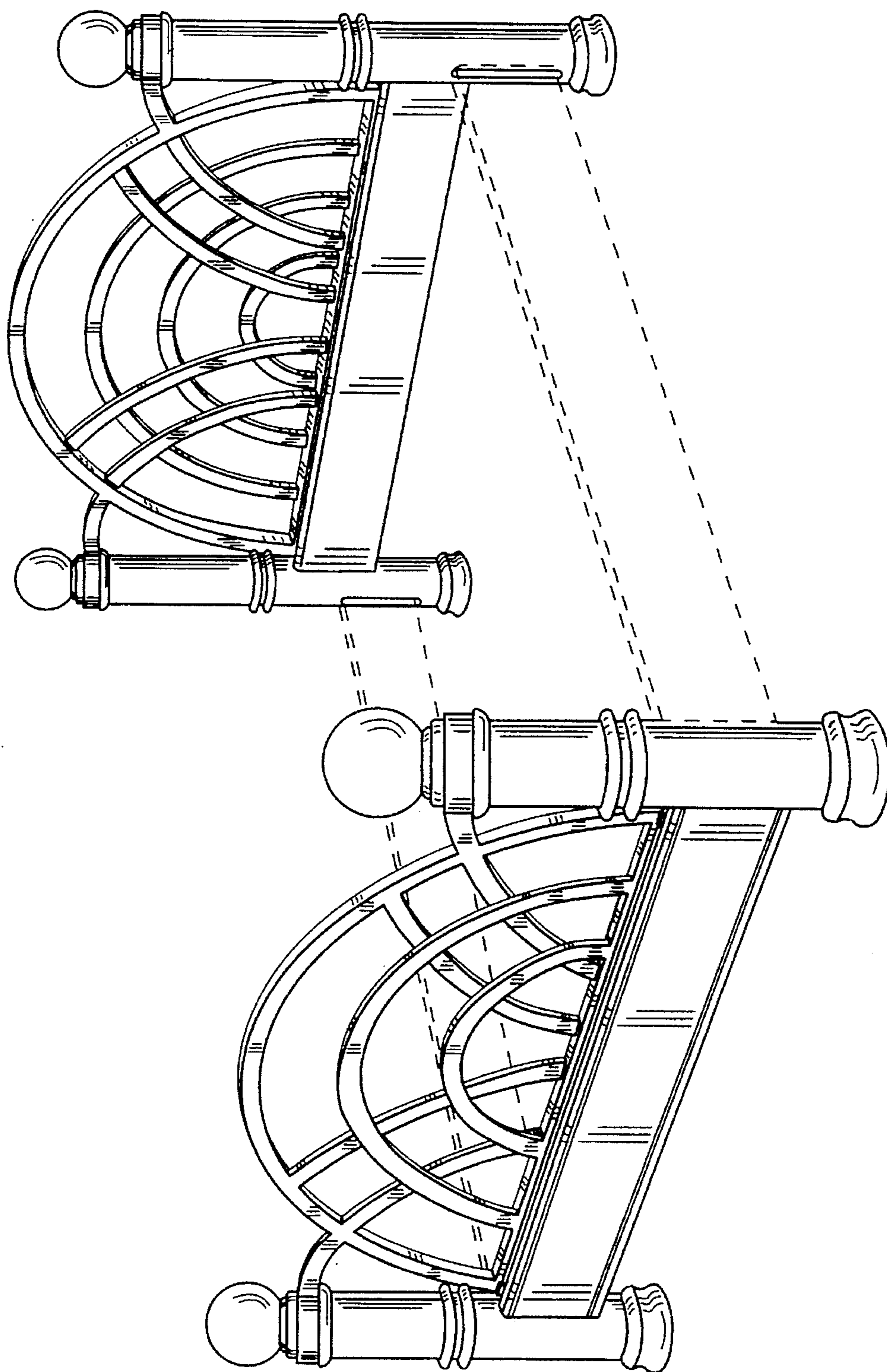


FIG. 1

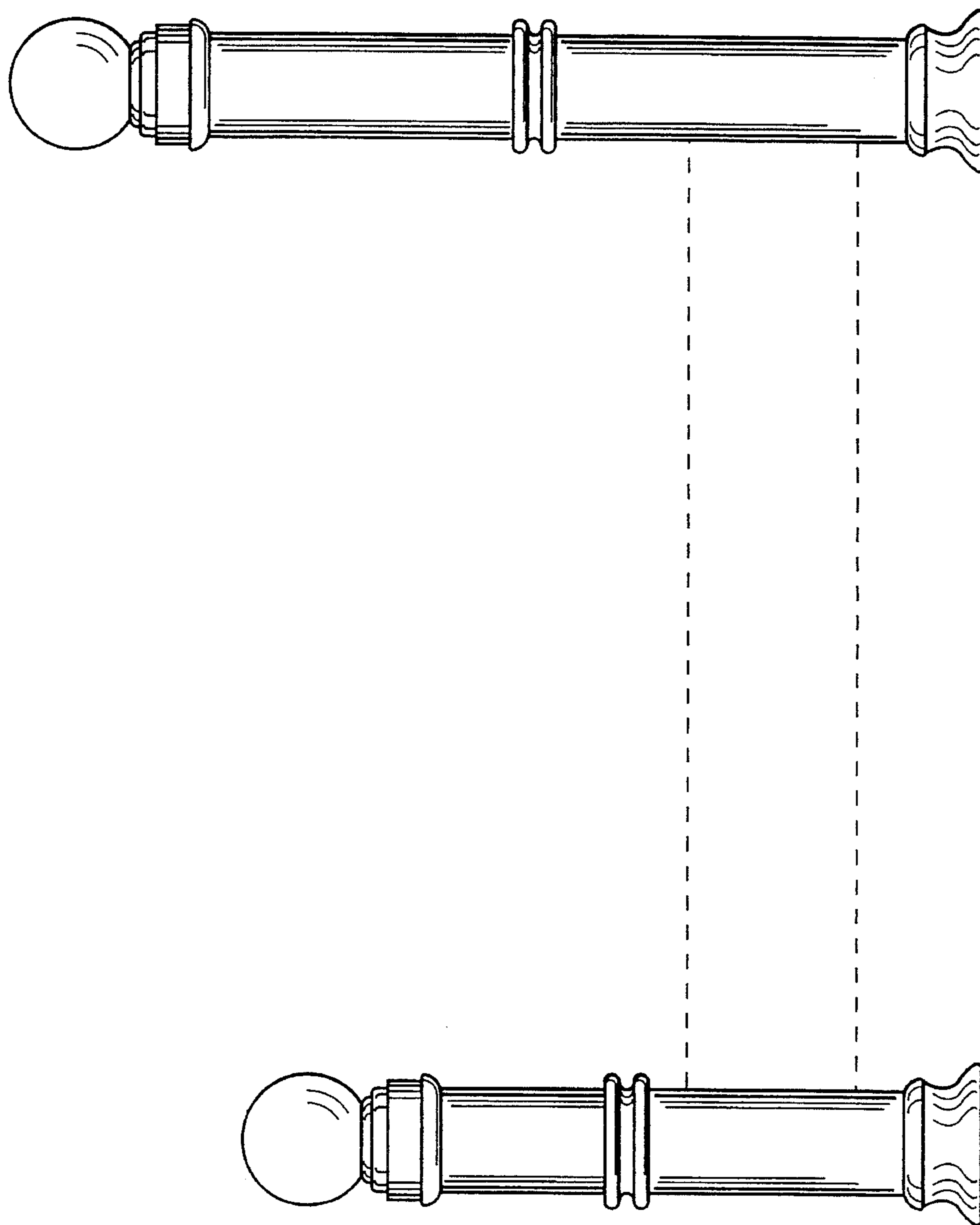


FIG. 2

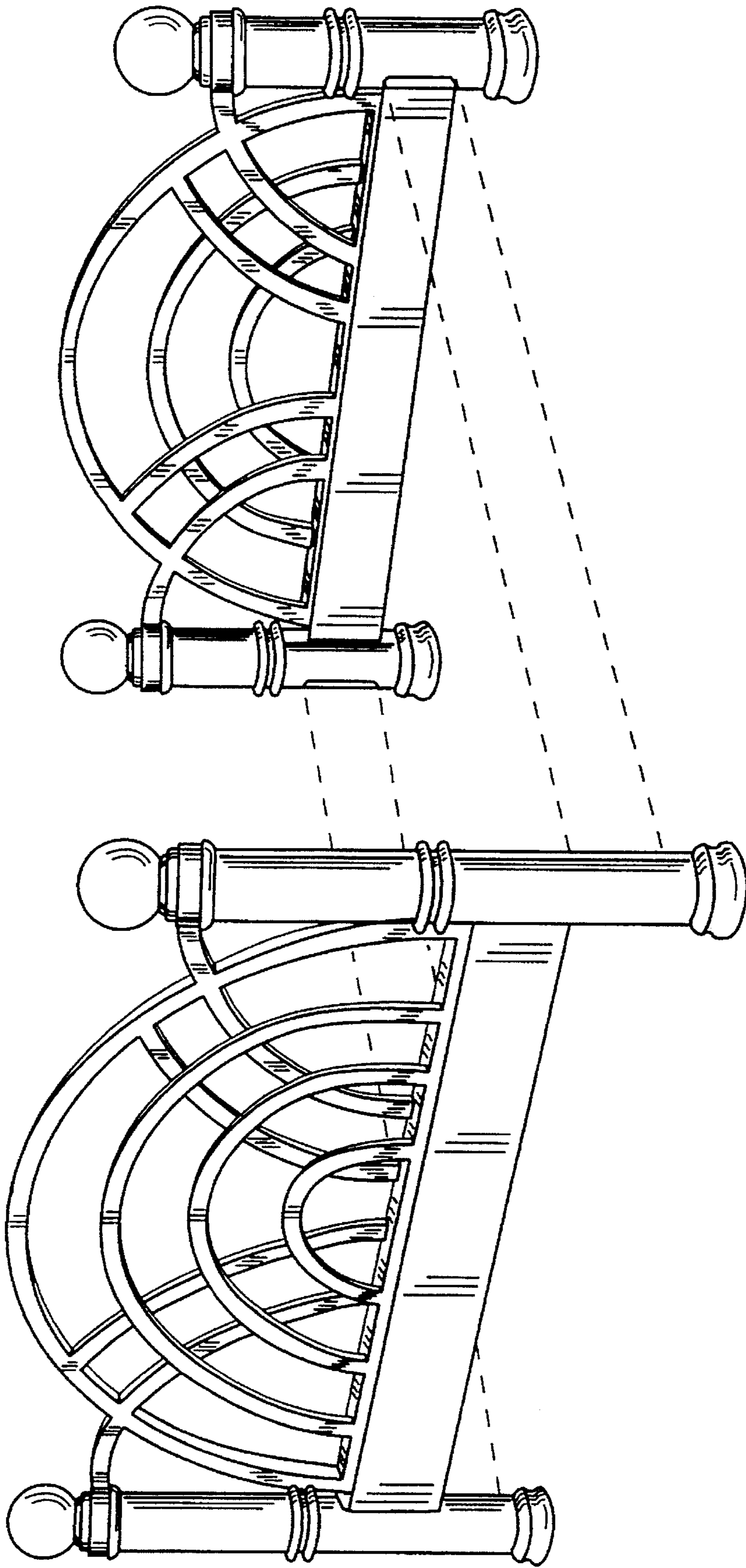


FIG. 3