



US00D376488S

United States Patent [19]

[11] Patent Number: **Des. 376,488**

Proano et al.

[45] Date of Patent: ****Dec. 17, 1996**

[54] CONVERTIBLE CRIB IN YOUTH BED CONFIGURATION

[76] Inventors: **Lou Proano; Rene D. Proano**, both of 1648 Channelside Trail, Baldwinsville, N.Y. 13027

[**] Term: **14 Years**

[21] Appl. No.: **44,363**

[22] Filed: **Sep. 22, 1995**

[52] U.S. Cl. **D6/391; D6/390; D6/395**

[58] Field of Search **D6/382, 390-395, D6/508; 5/93.1, 93.2, 99.1, 101, 102**

[56] References Cited

U.S. PATENT DOCUMENTS

D. 90,386	7/1933	Shaw	D6/394
356,452	3/1995	Proano et al. .	
D. 365,460	12/1995	Brunner et al.	D6/395
4,525,883	7/1985	Necowitz	5/93.2
4,715,075	12/1987	Shamie	5/93.1
5,040,254	8/1991	Frank	5/93.1 X
5,173,974	12/1992	Proano et al. .	
5,293,655	3/1994	Van Winkle et al.	D6/395 X

Primary Examiner—Janice E. Seeger
Attorney, Agent, or Firm—August E. Roehrig, Jr.

[57] CLAIM

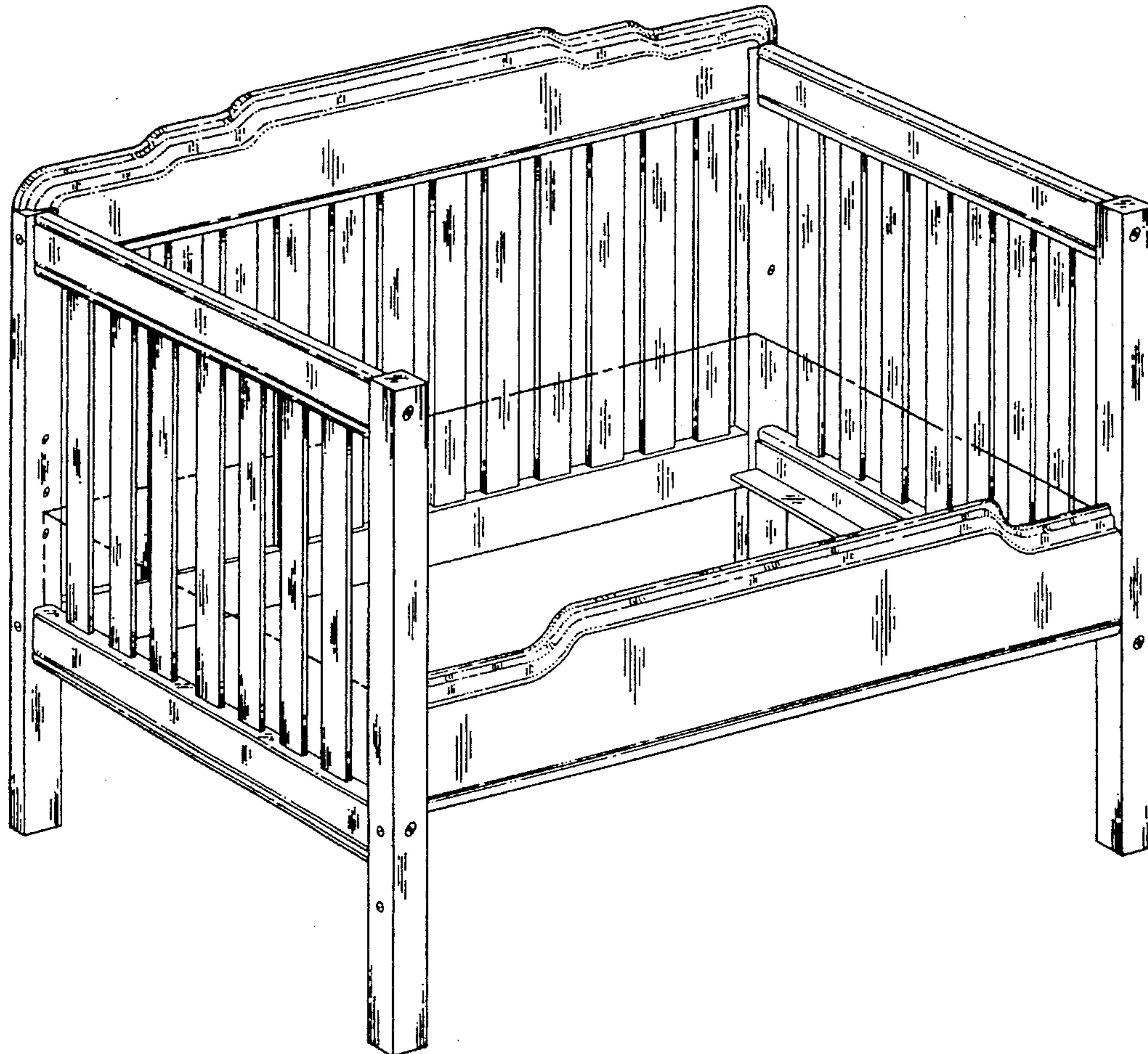
The ornamental design for a convertible crib in youth bed configuration, as shown and described.

DESCRIPTION

FIG. 1 is a perspective view of a convertible crib in youth bed configuration with the lower bar positioned upwardly; FIG. 2 is a front elevational view; FIG. 3 is a rear elevational view; FIG. 4 is a right side elevational view with the left side being a mirror image thereof; FIG. 5 is a top plan view thereof; FIG. 6 is an enlarged cross-sectional view taken along lines 6—6 to better illustrate the contours thereof; FIG. 7 is an enlarged cross-sectional view taken along lines 7—7 to better illustrate the contours thereof; FIG. 8 is an enlarged cross-sectional view taken along lines 8—8 to better illustrate the contours thereof; and, FIG. 9 is a perspective view of the convertible crib in youth bed configuration with the lower bar positioned downwardly.

The broken line showing a mattress appearing in certain of the figures is for illustrative purposes only, and forms no part of the claimed design.

1 Claim, 7 Drawing Sheets



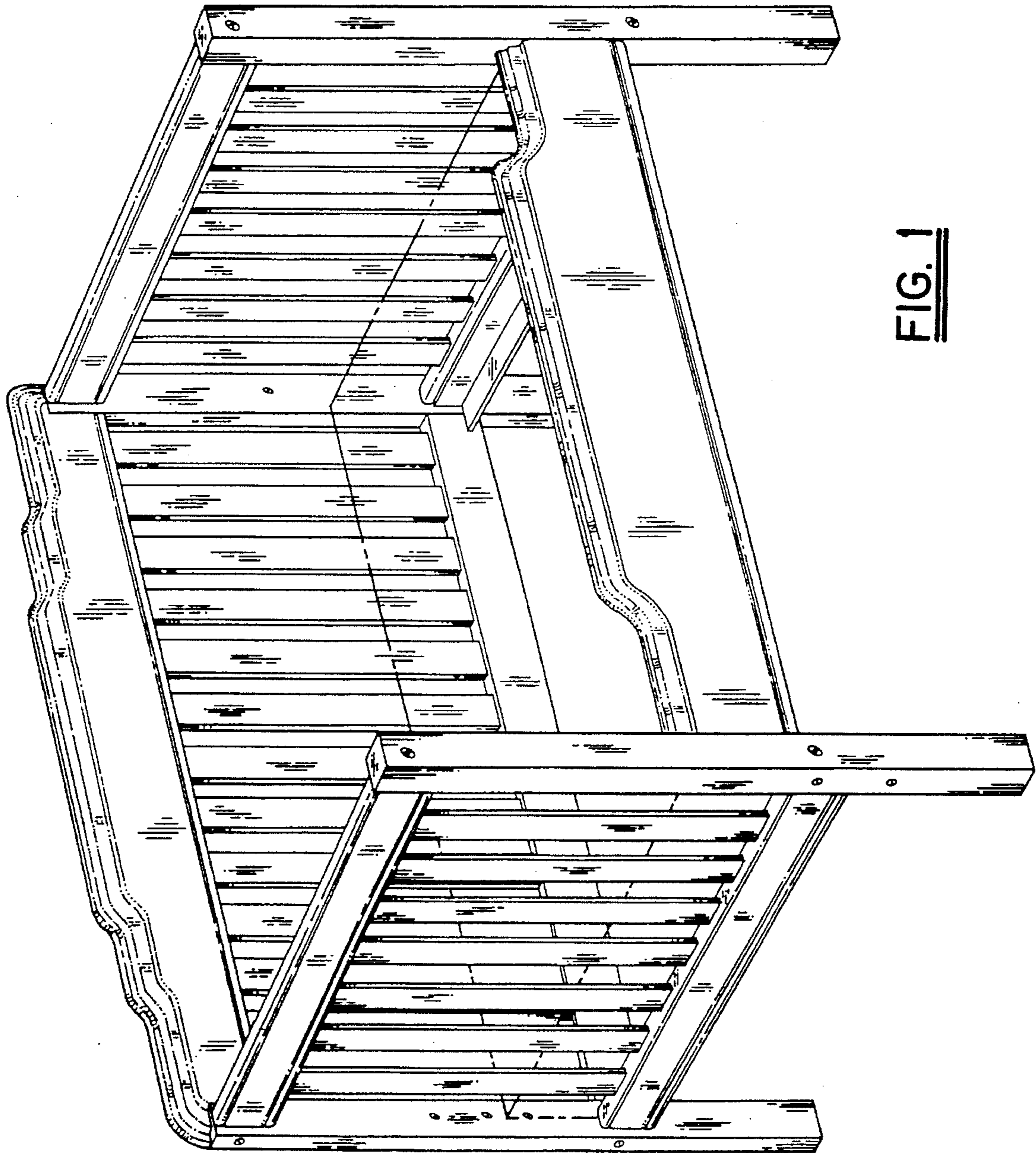


FIG. 1

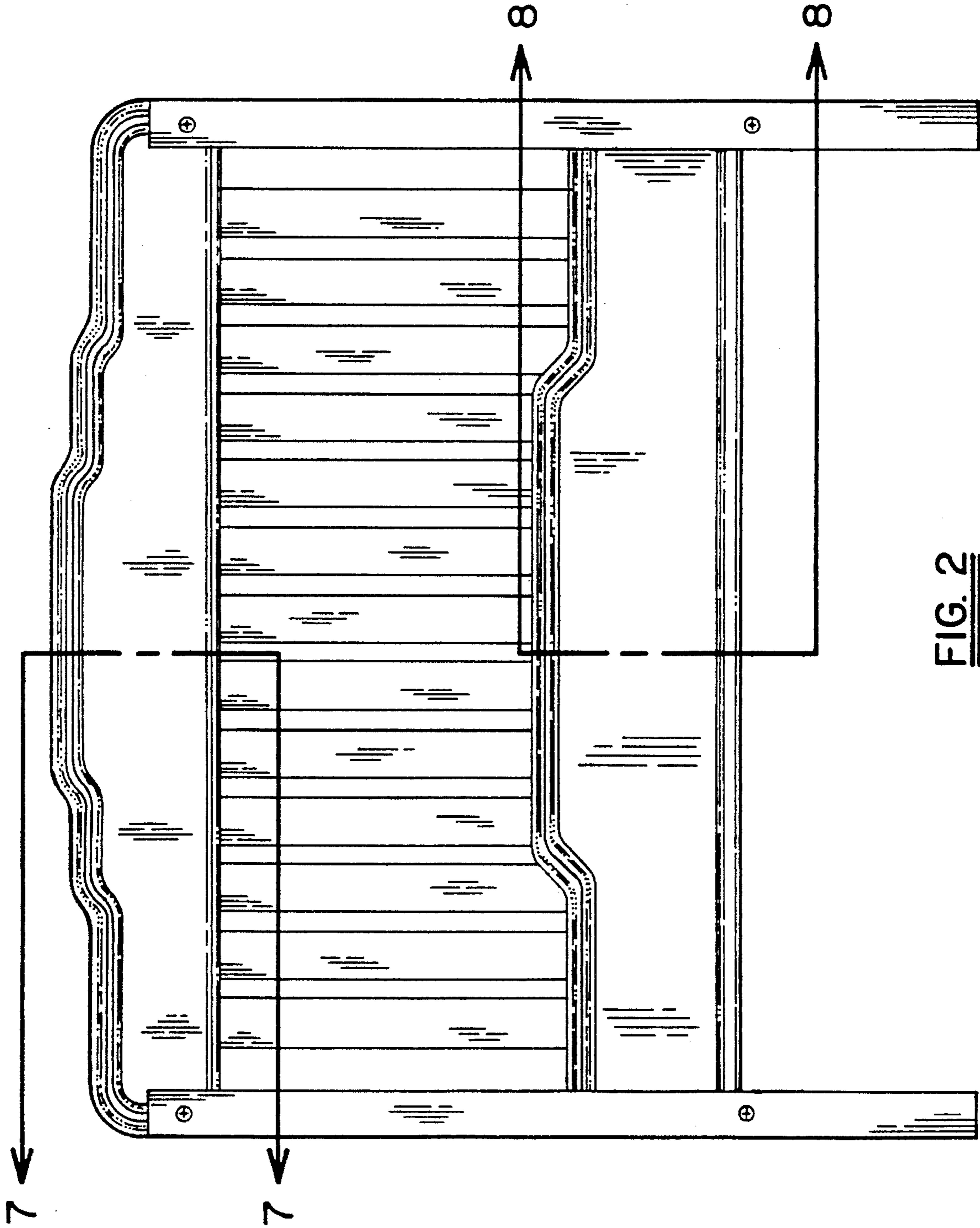


FIG. 2

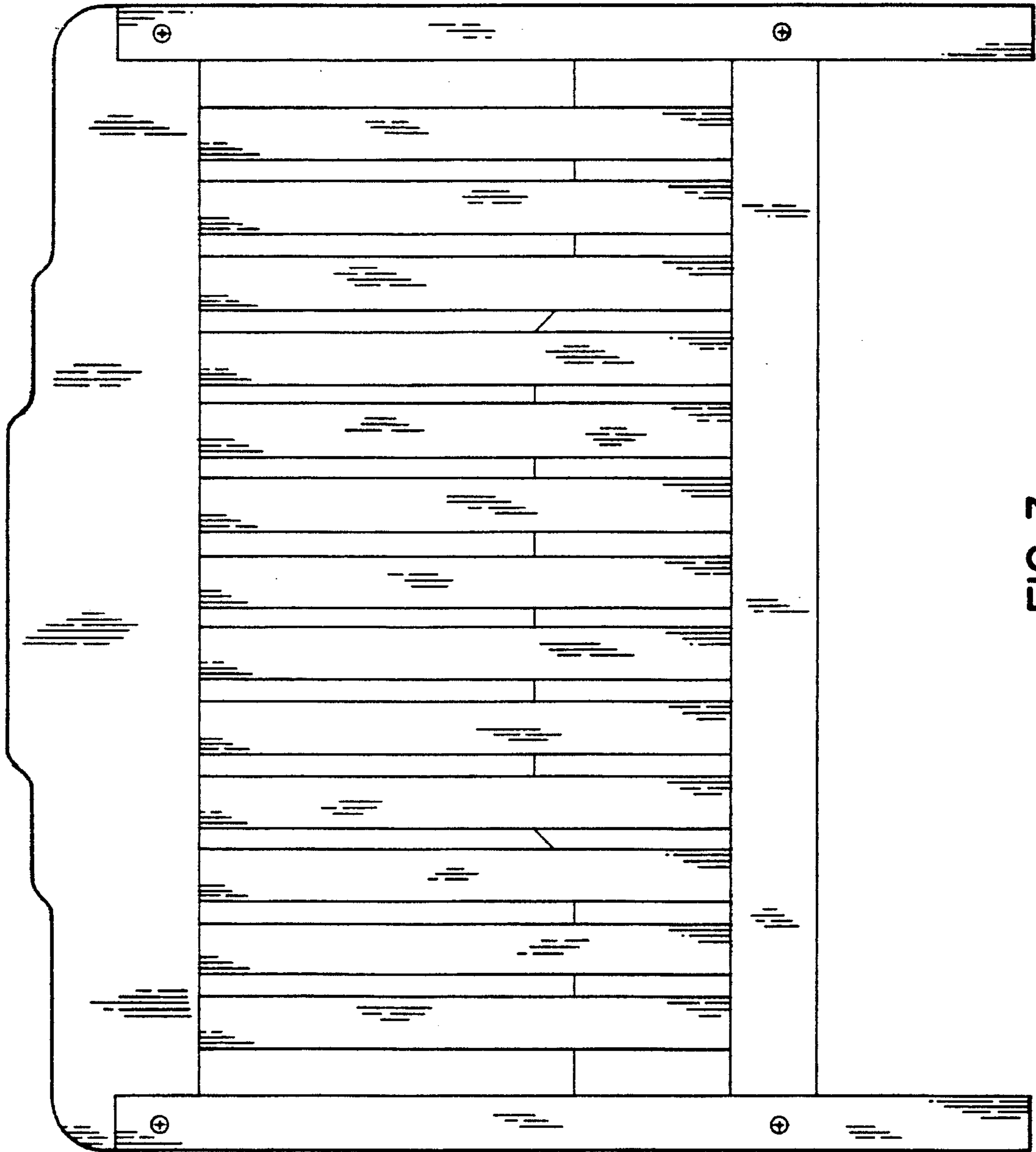


FIG. 3

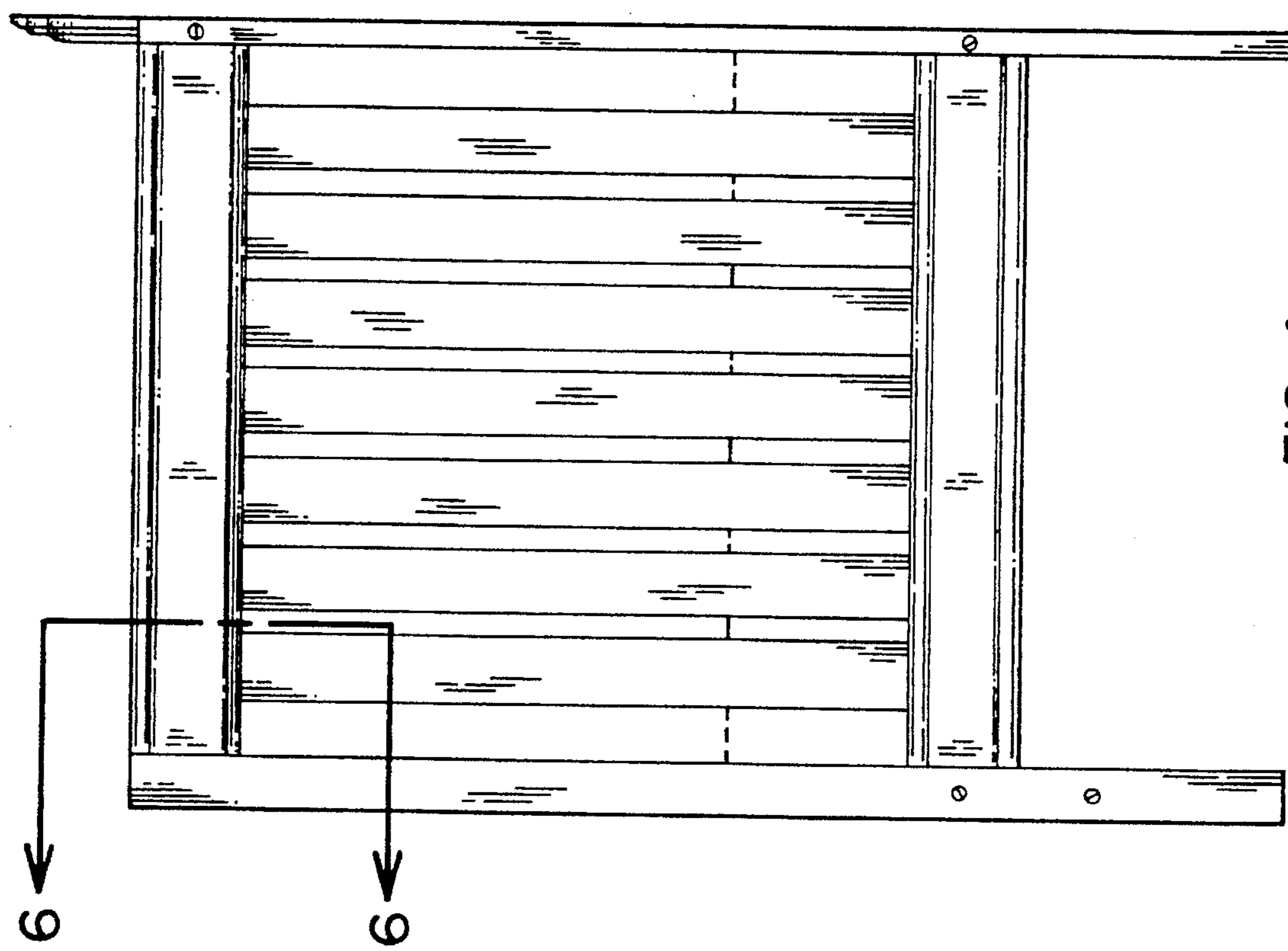


FIG. 4

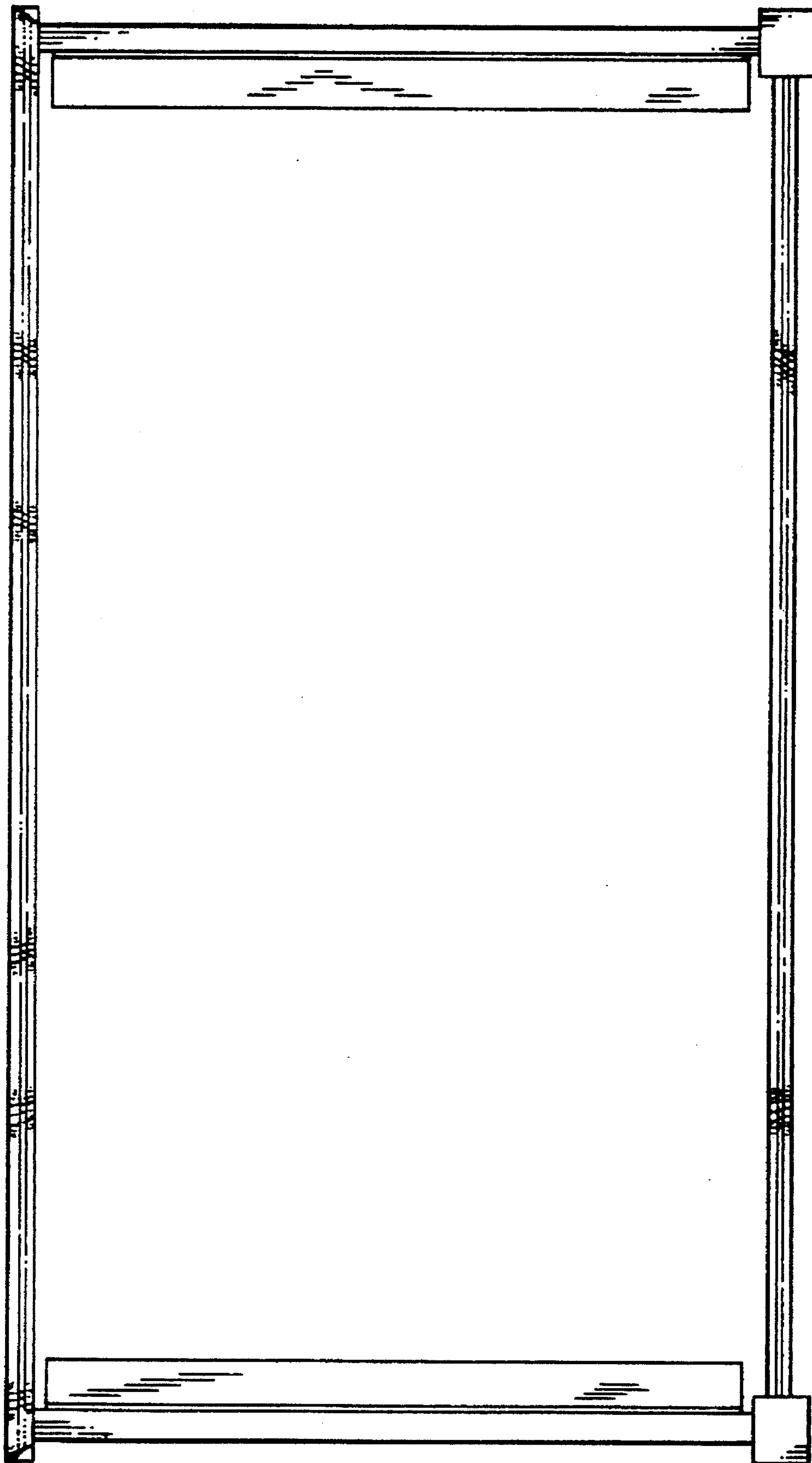


FIG. 5

FIG. 6

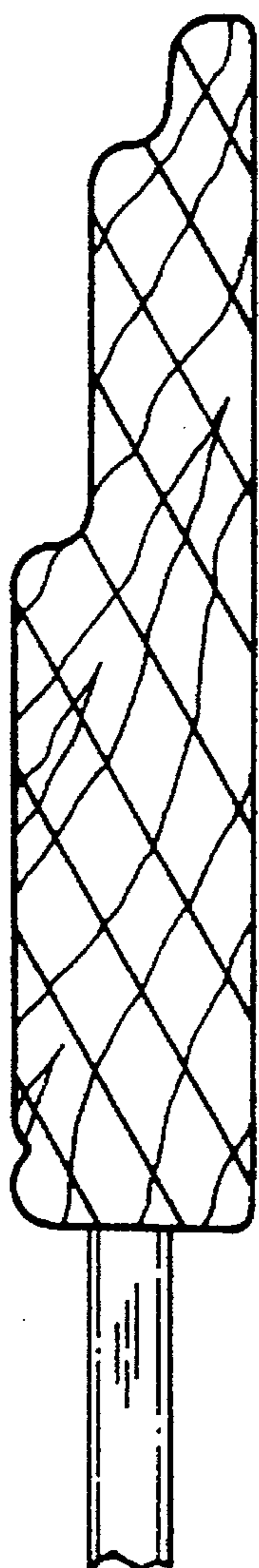


FIG. 7



FIG. 8

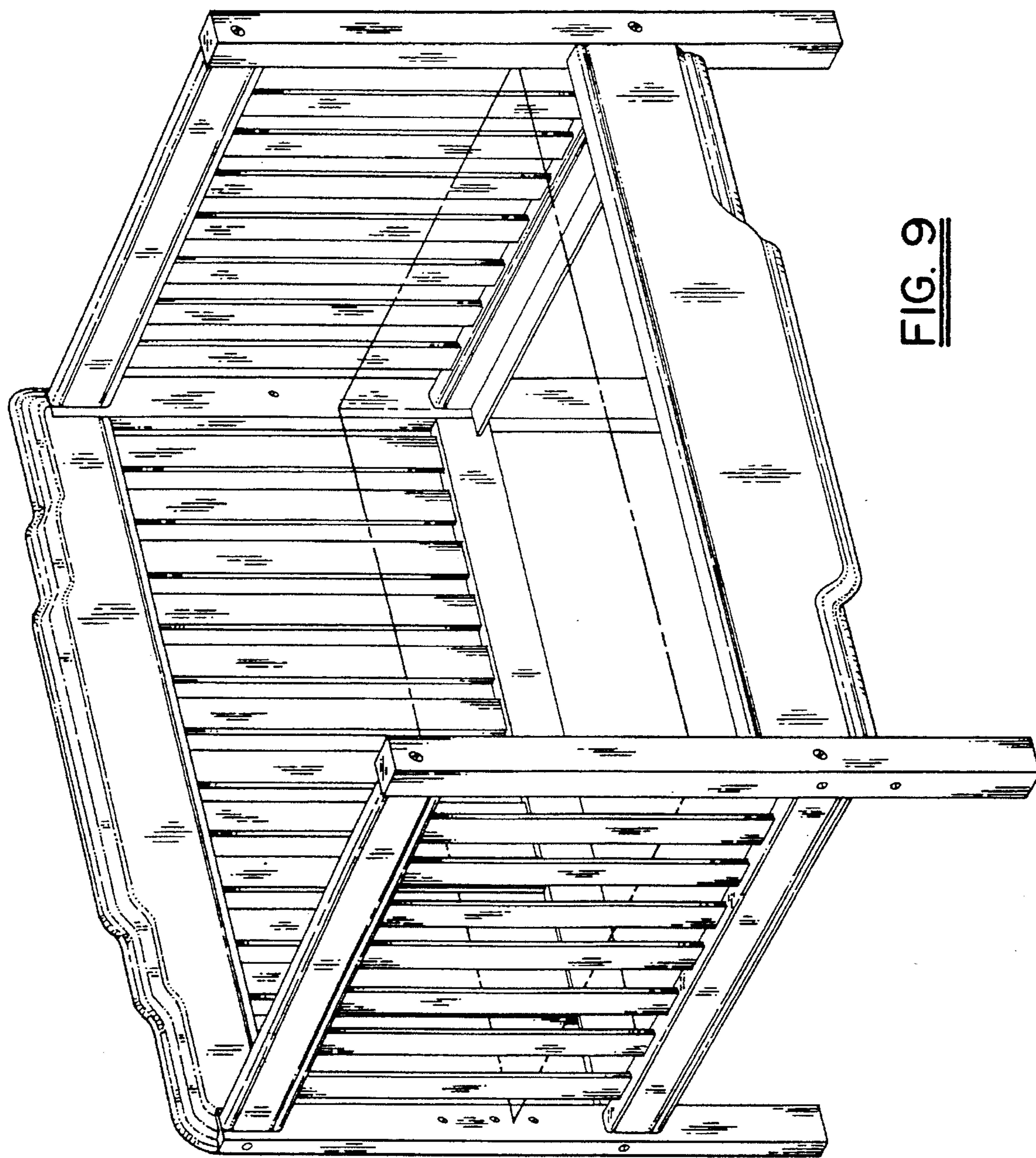


FIG. 9