



US00D376484S

United States Patent [19]
Gregory

[11] **Patent Number: Des. 376,484**
[45] **Date of Patent: **Dec. 17, 1996**

[54] **FOLDING CHAIR**

DESCRIPTION

[76] Inventor: **Sheila Gregory**, 13532 Wynant Dr.,
Westminster, Calif. 92683
[**] Term: **14 Years**
[21] Appl. No.: **44,073**
[22] Filed: **Sep. 15, 1995**
[52] **U.S. Cl.** **D6/368**
[58] **Field of Search** D6/334, 335, 336,
D6/367, 368, 371, 373, 374, 379, 380,
500, 501, 502, 601; 297/45, 53

[56] **References Cited**

U.S. PATENT DOCUMENTS

D. 2,685	6/1867	Harrison et al.	D6/368
D. 265,444	7/1982	Nii	D6/373
D. 286,710	11/1986	Gasser	D6/368
D. 307,369	4/1990	Zollinger	D6/601
D. 330,989	11/1992	Evans	D6/601
D. 337,231	7/1993	Levien	D6/601
D. 338,587	8/1993	Harnish	D6/601
D. 341,509	11/1993	Evans	D6/502
D. 349,621	8/1994	Wilson	D6/501
D. 349,962	8/1994	Rogers	D6/601 X
D. 358,040	5/1995	Klein	D6/373

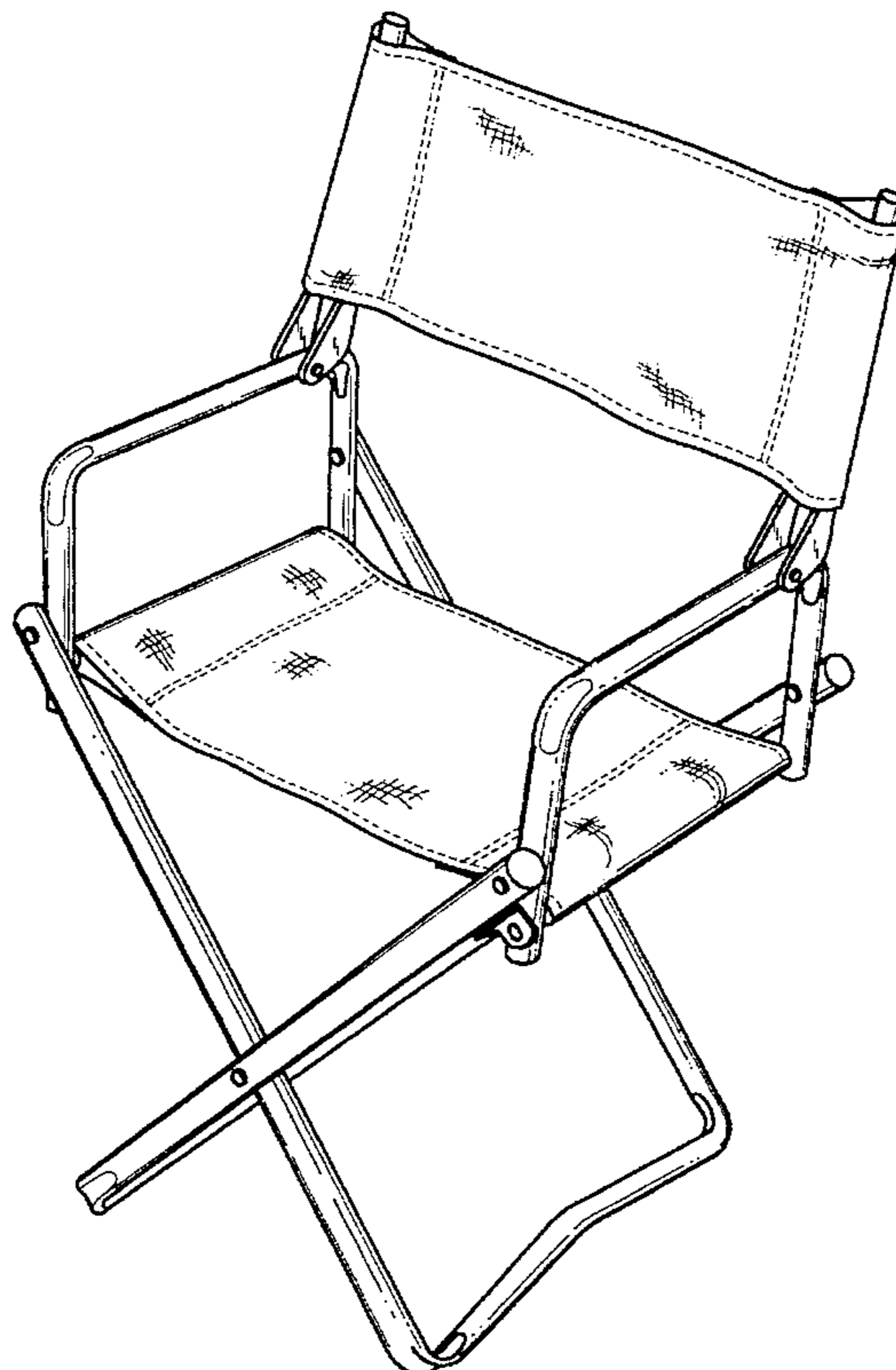
Primary Examiner—Gary D. Watson
Attorney, Agent, or Firm—Knobbe, Martens, Olson & Bear

[57] **CLAIM**

The ornamental design for a folding chair, as shown and described.

FIG. 1 is a front perspective view of the folding chair of the present invention;
FIG. 2 is a front elevational view thereof;
FIG. 3 is a rear elevational view thereof;
FIG. 4 is a right side elevational view thereof;
FIG. 5 is a left side elevational view thereof;
FIG. 6 is a bottom plan view thereof;
FIG. 7 is a top plan view thereof;
FIG. 8 is a front perspective view of the folding chair of FIG. 1 in the initial stages of the folding process;
FIG. 9 is a front perspective view of the folding chair of FIG. 1 in a more advanced stage of the folding process;
FIG. 10 is a side elevational view of the folding chair of FIG. 1 in a fully folded position, attached to a suitcase shown in phantom;
FIG. 11 is a front elevational view of an alternative embodiment of the folding chair of the present invention;
FIG. 12 is a rear elevational view of the folding chair of FIG. 11;
FIG. 13 is a right side elevational view of the folding chair of FIG. 11;
FIG. 14 is a left side elevational view of the folding chair of FIG. 11;
FIG. 15 is a bottom plan view of the folding chair of FIG. 11; and,
FIG. 16 is a top plan view of the folding chair of FIG. 11. The broken line showing of a suitcase in FIG. 10 is for illustrative purposes only and forms no part of the claimed design.

1 Claim, 8 Drawing Sheets



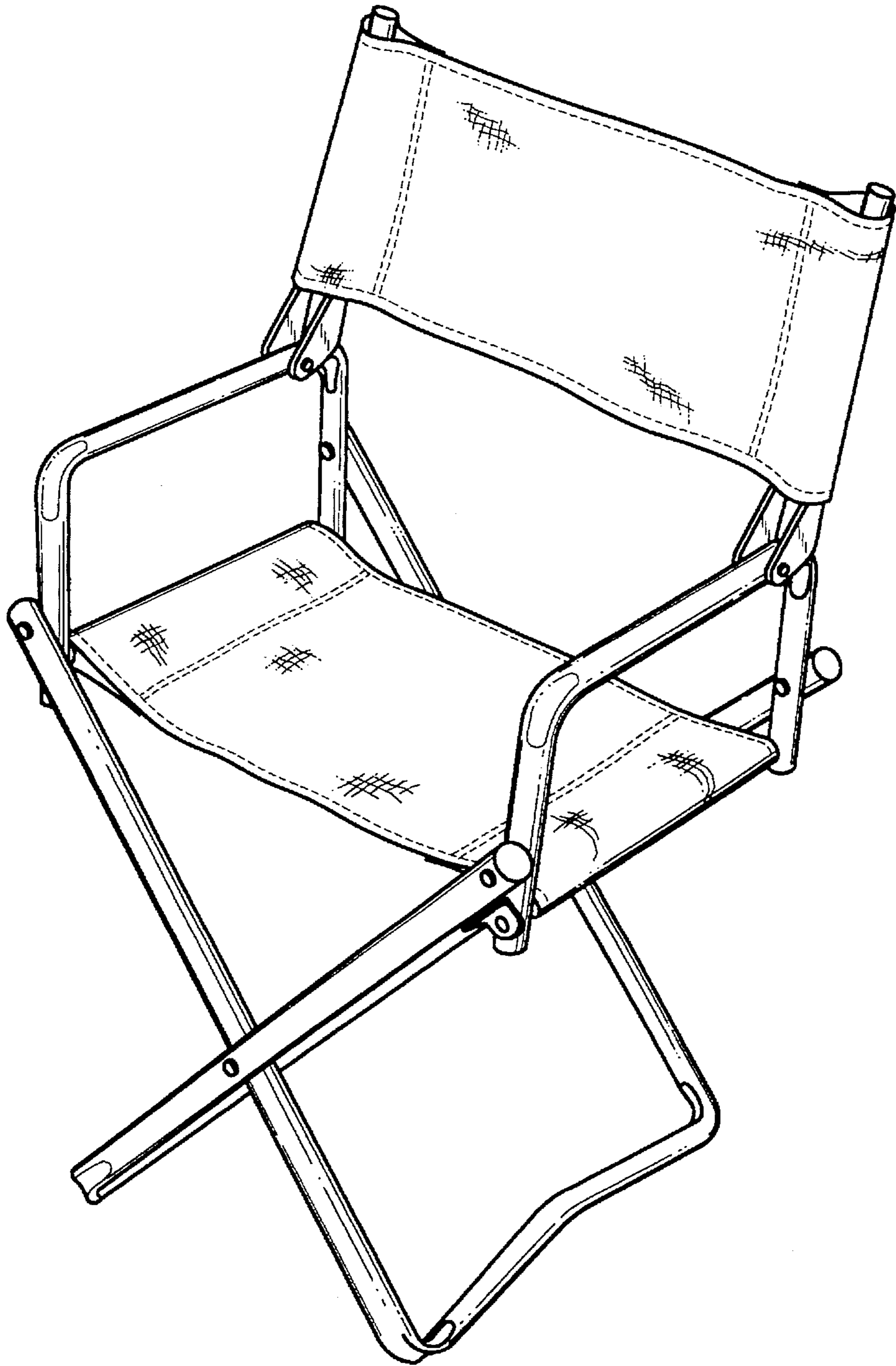


Fig. 1

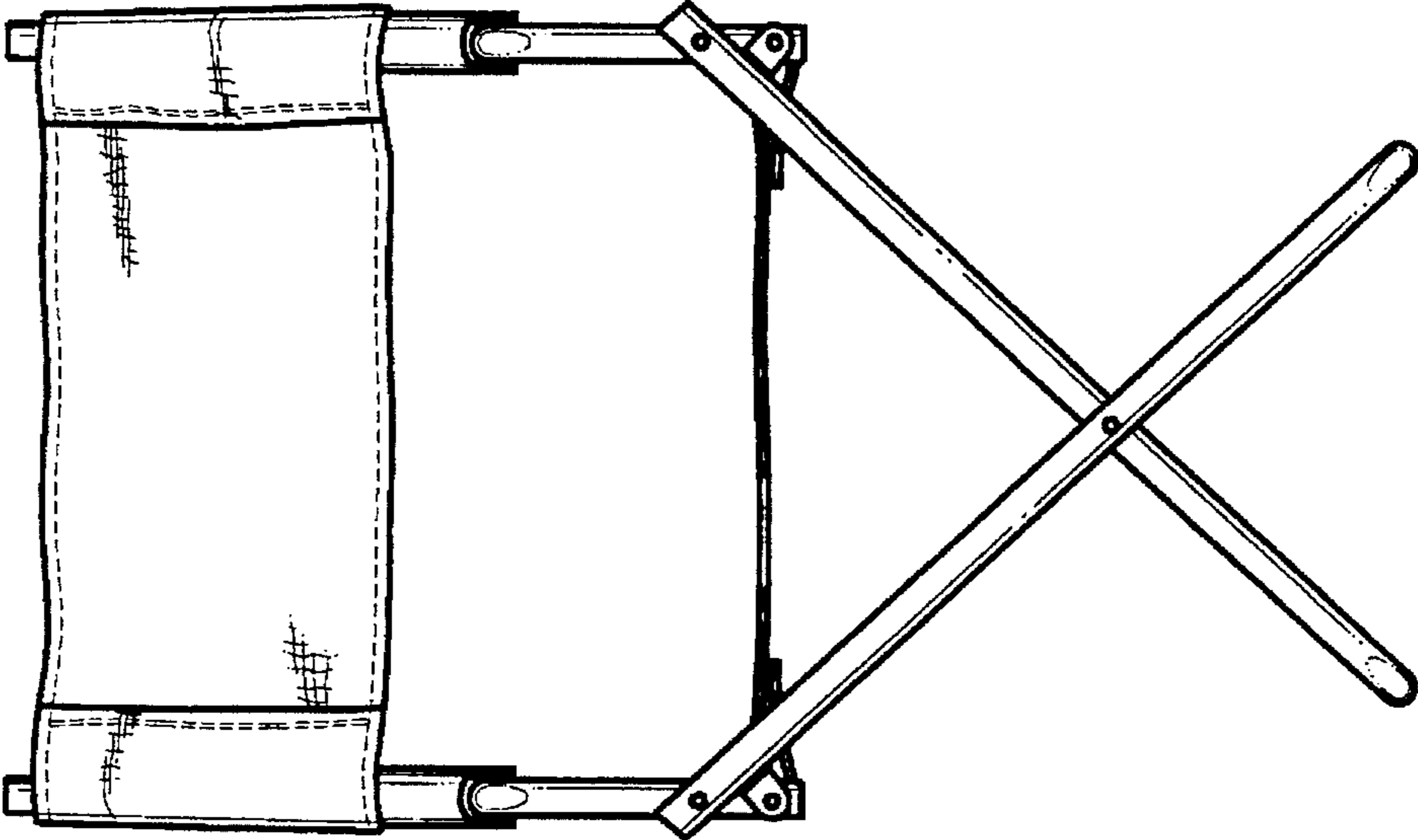


Fig. 3

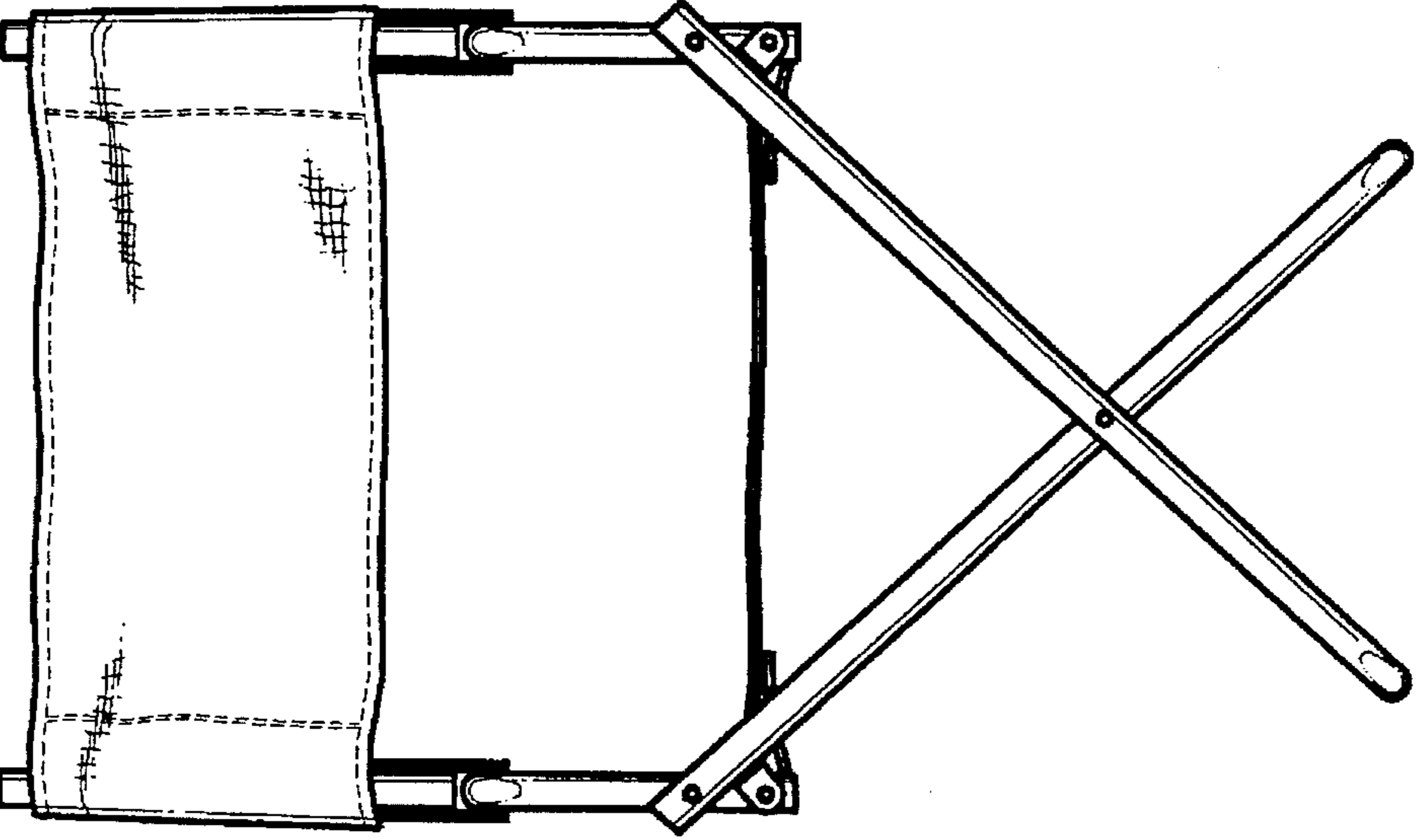


Fig. 2

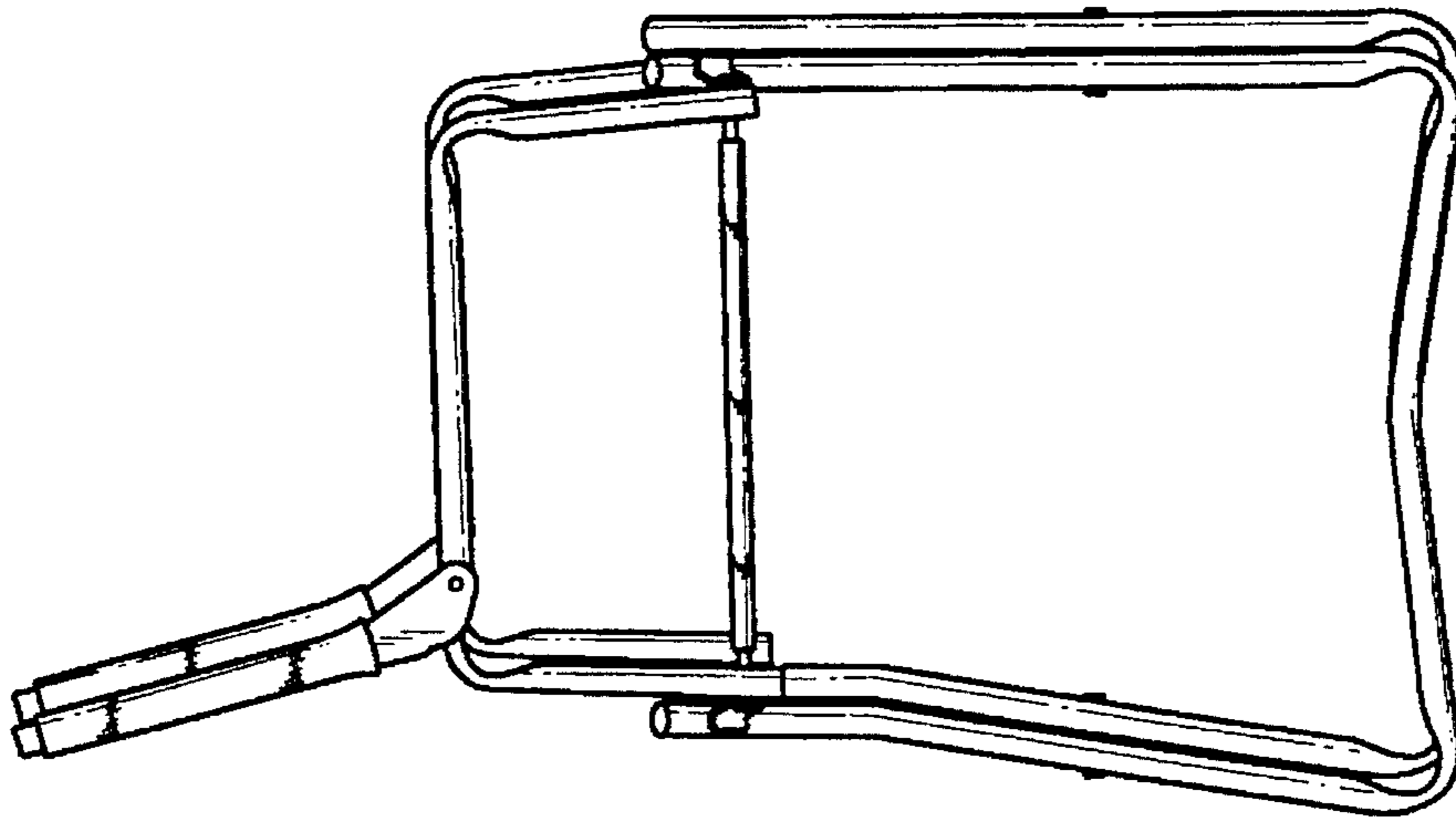


Fig. 5

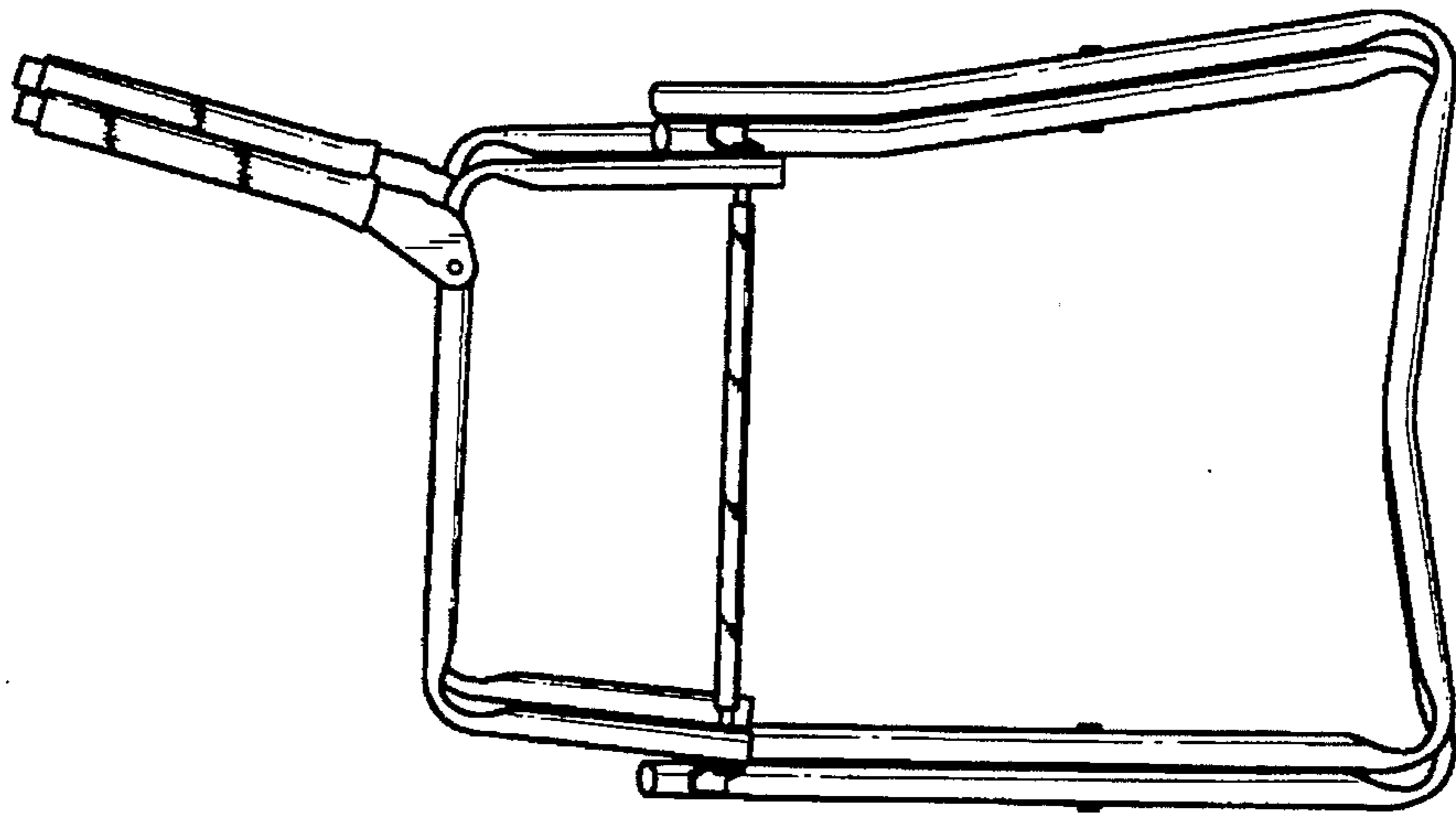


Fig. 4

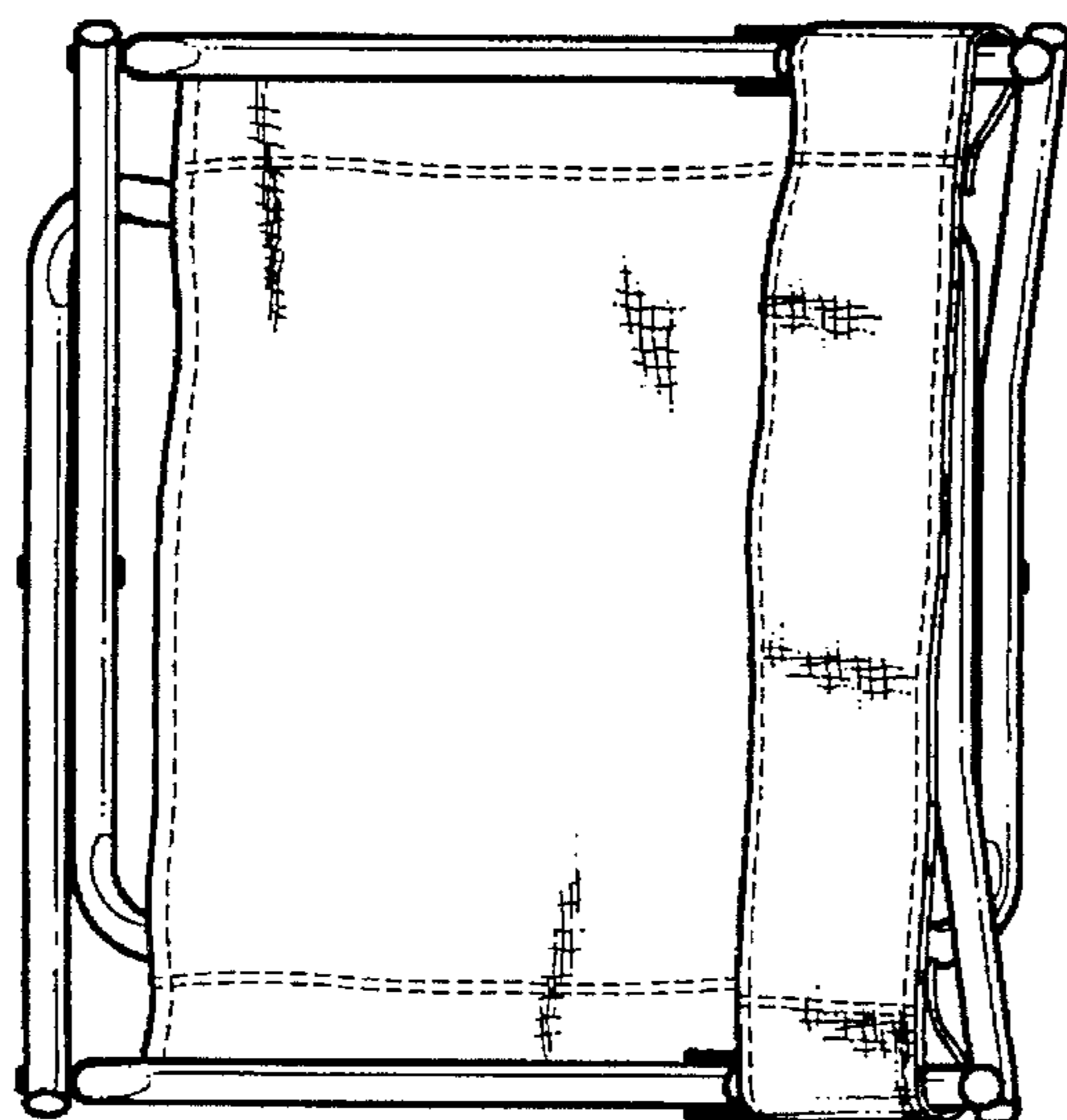


Fig. 7

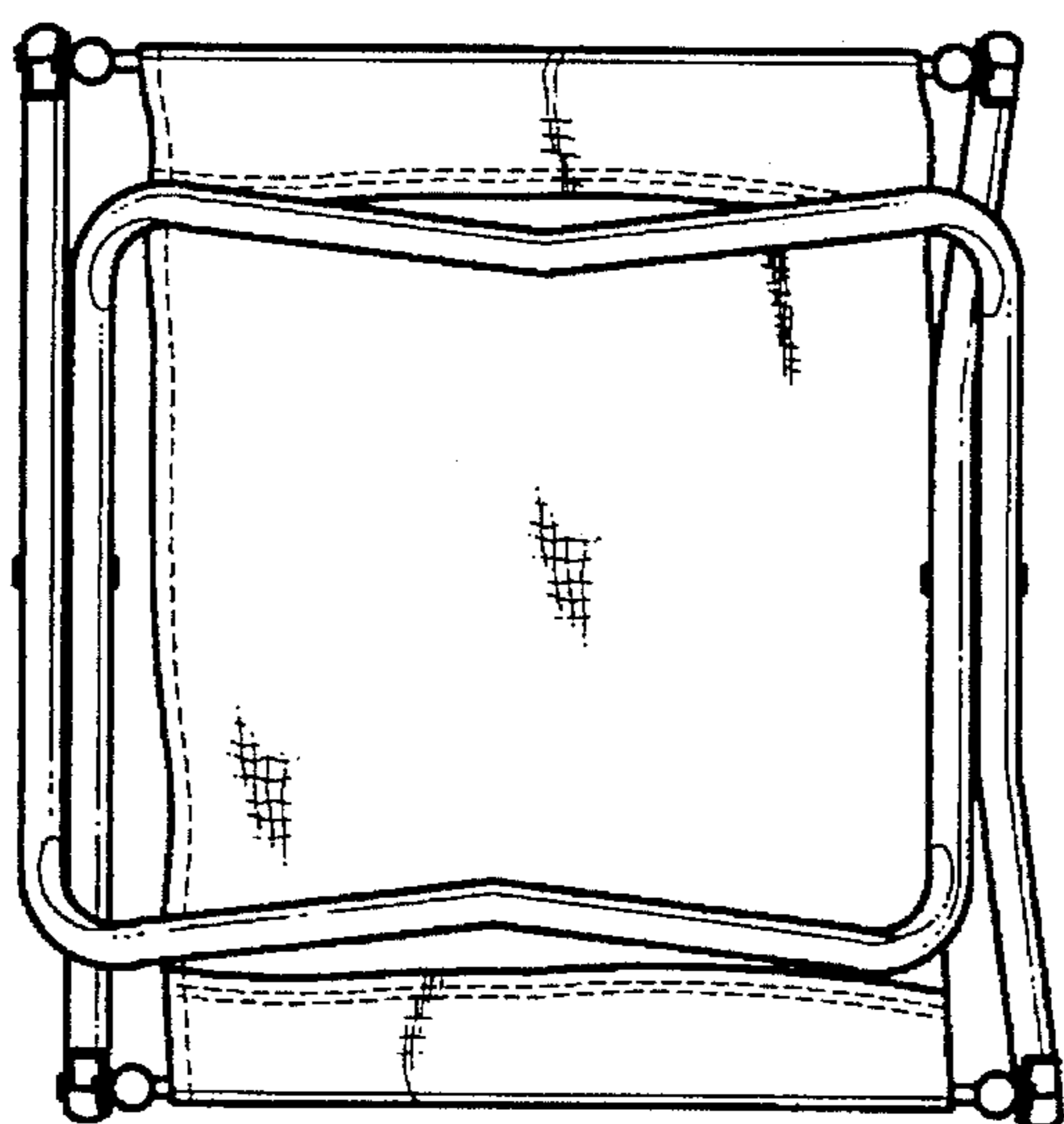


Fig. 6

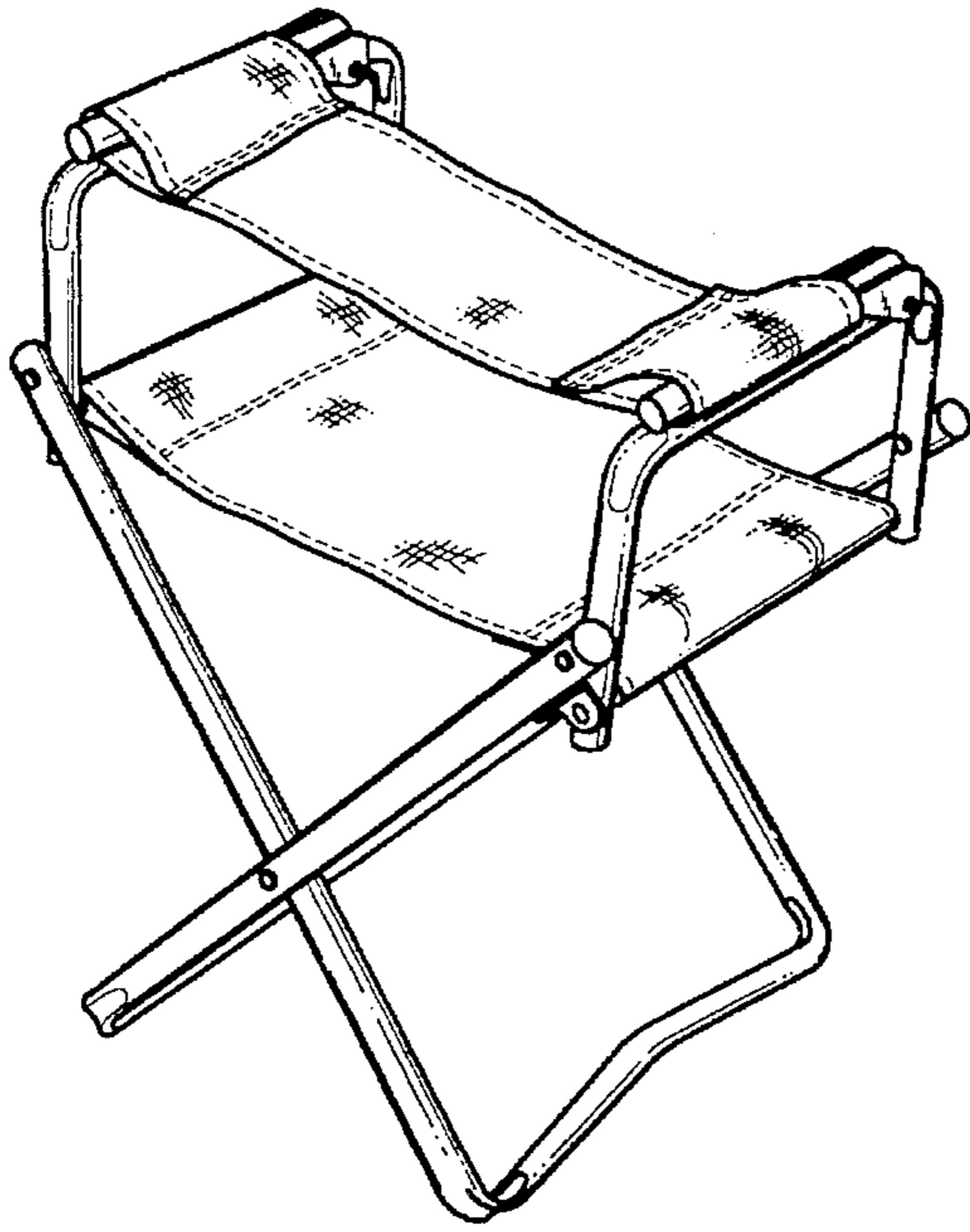


Fig. 8

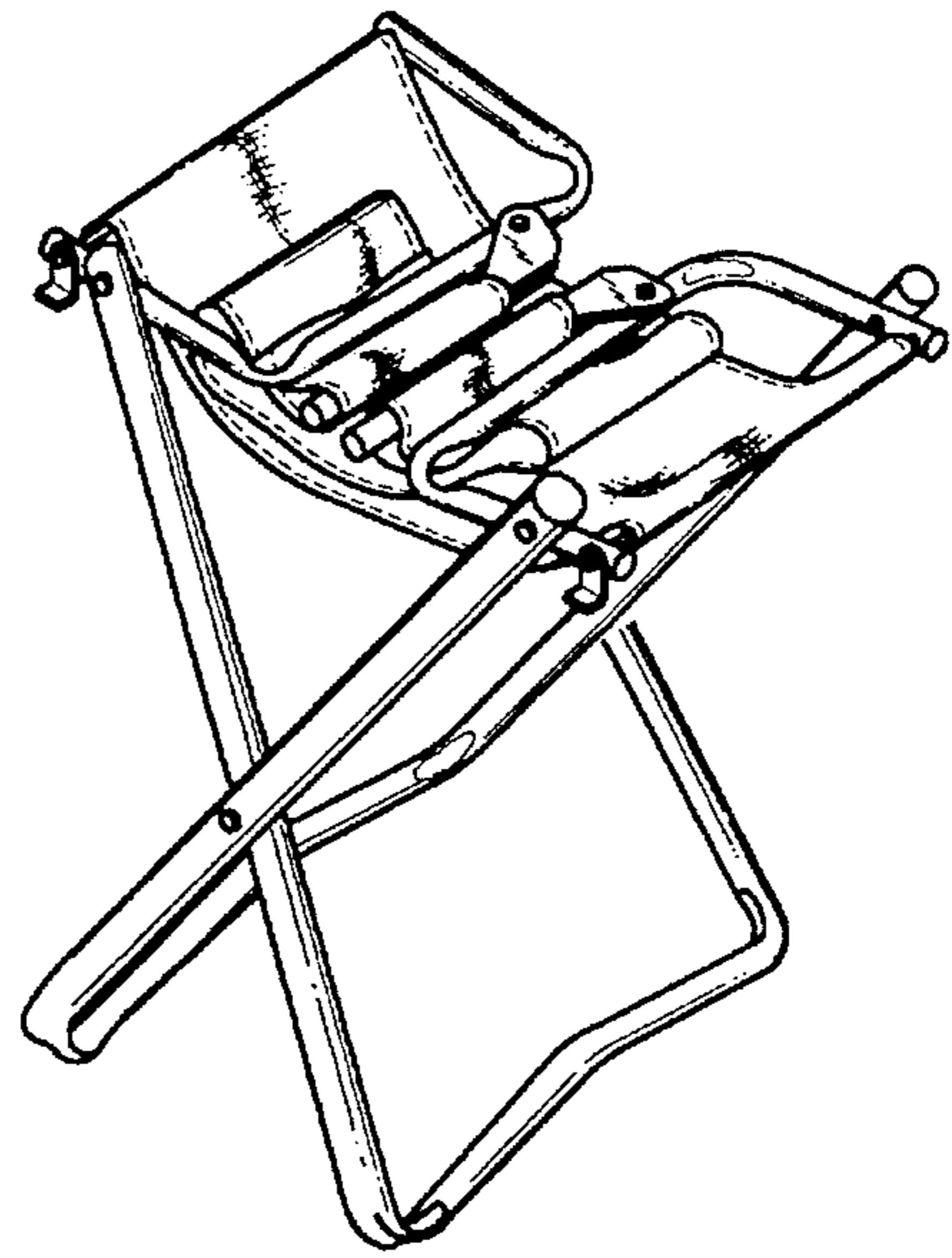


Fig. 9

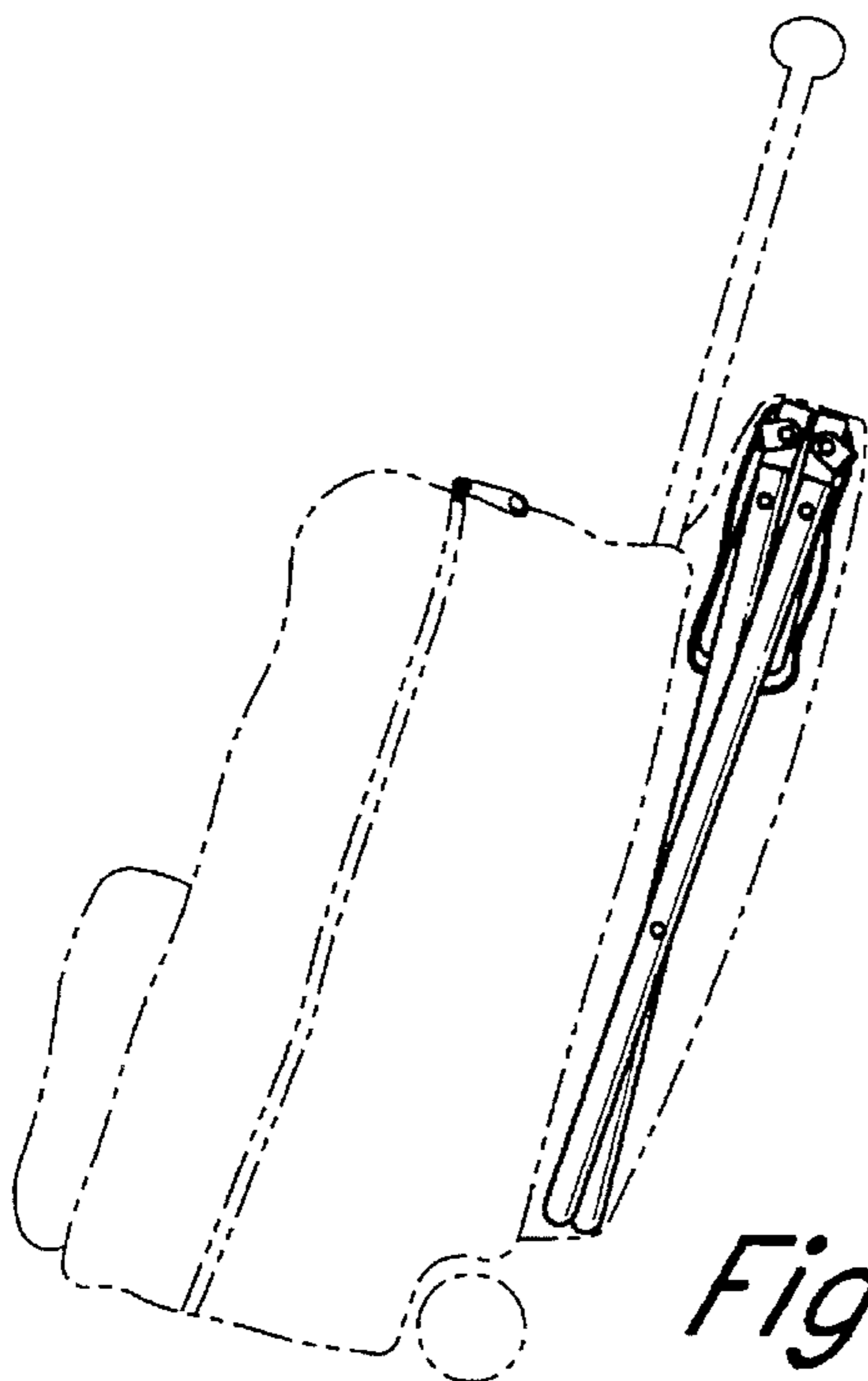


Fig. 10

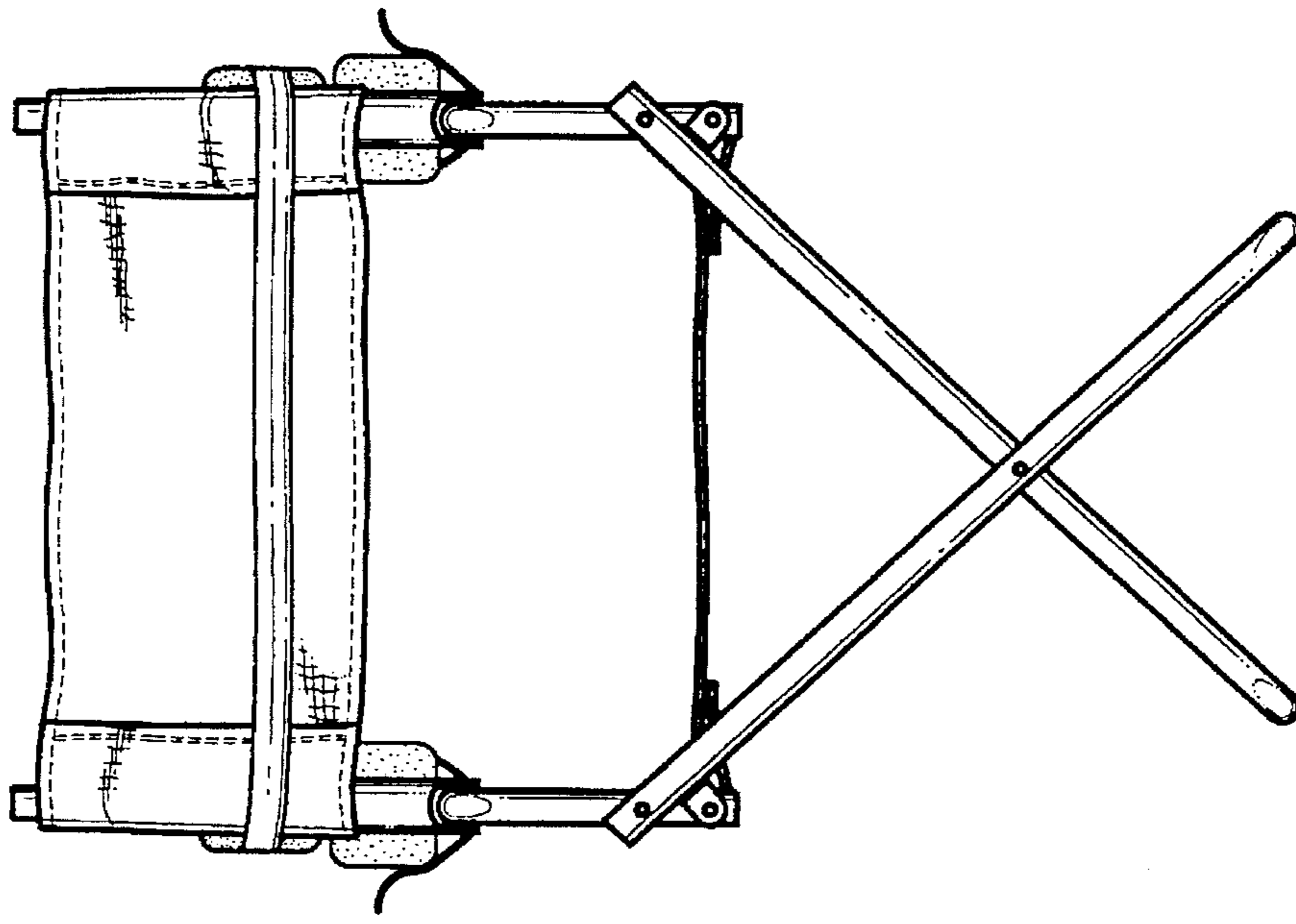


Fig. 12

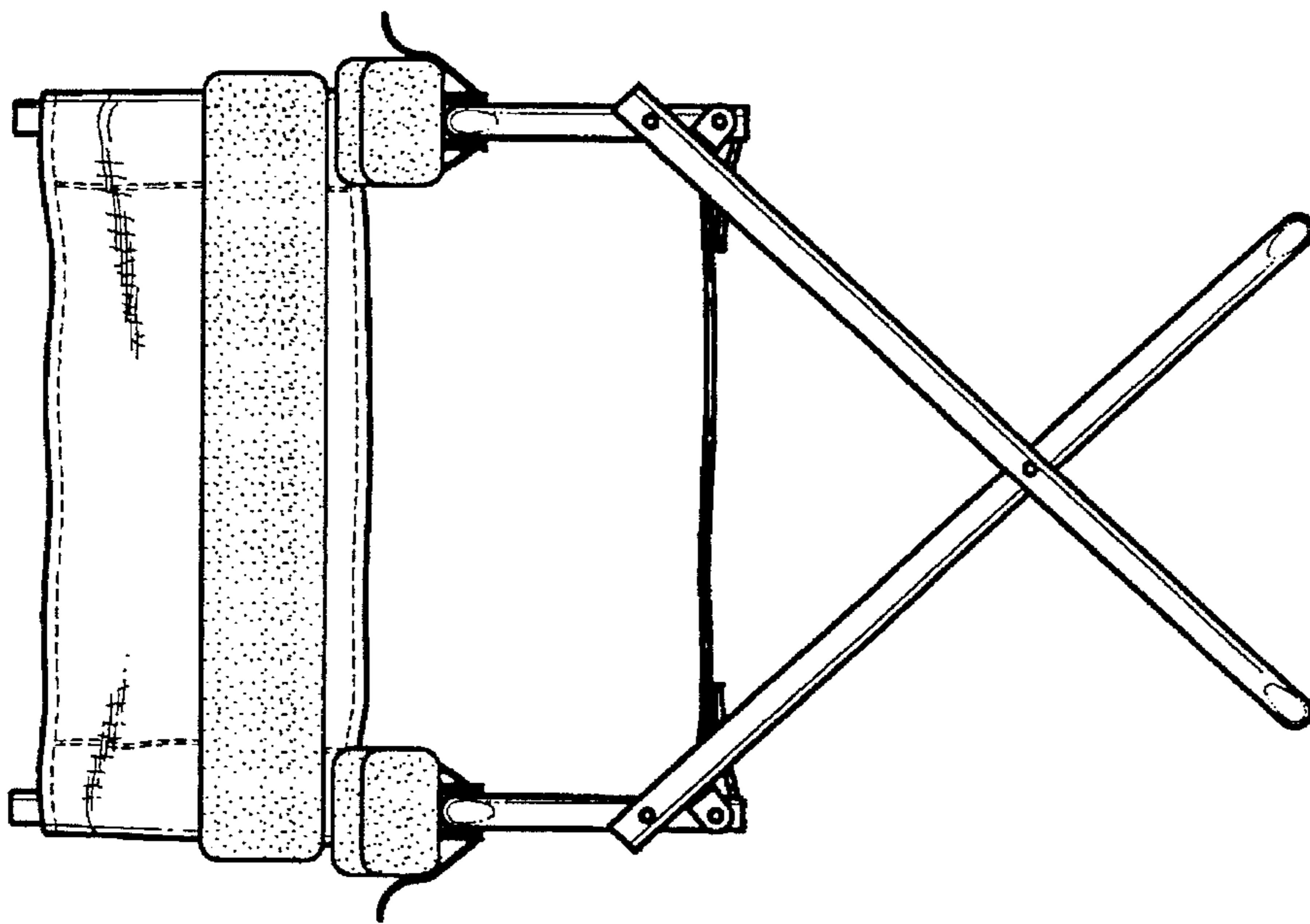


Fig. 11

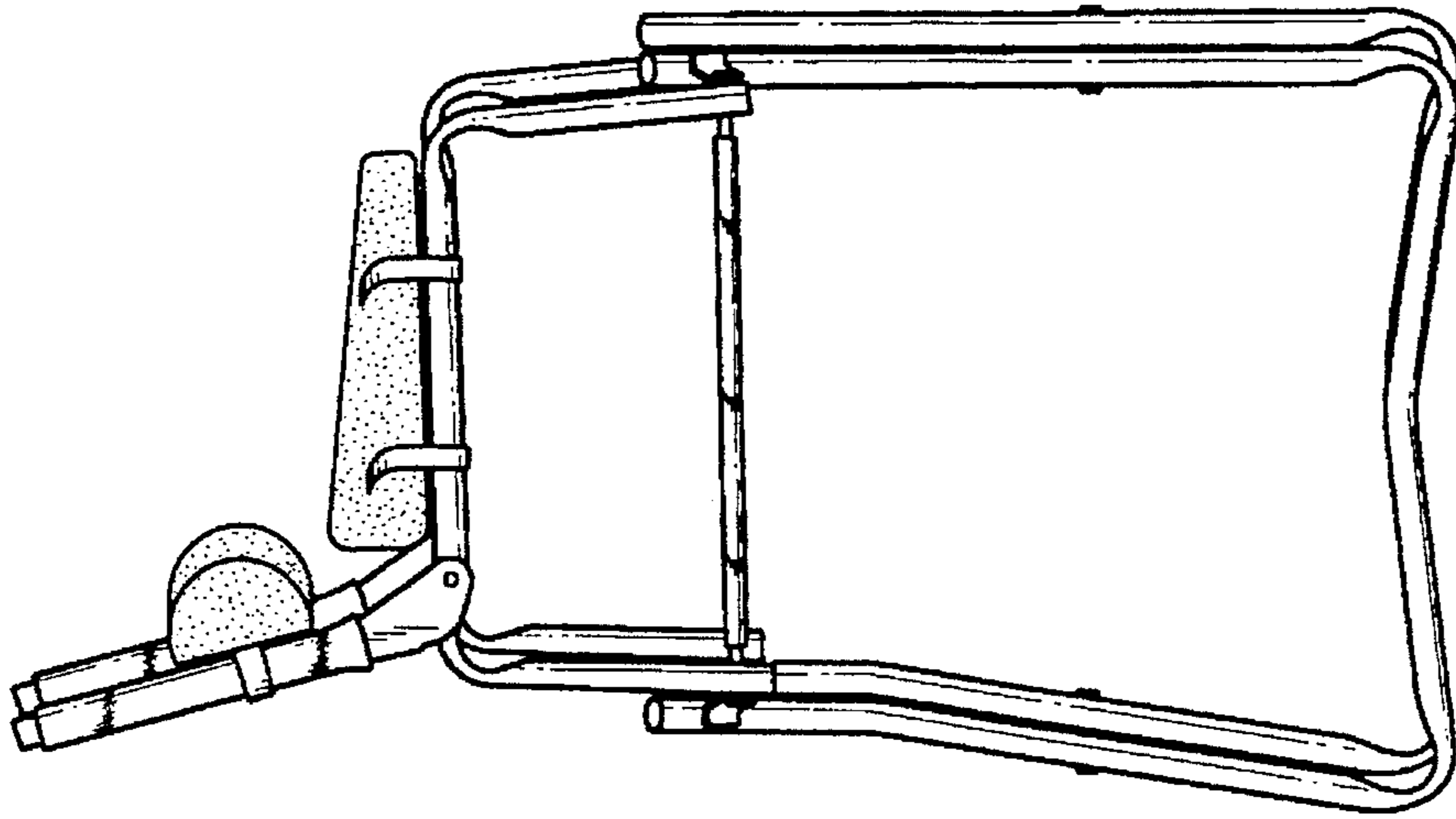


Fig. 14

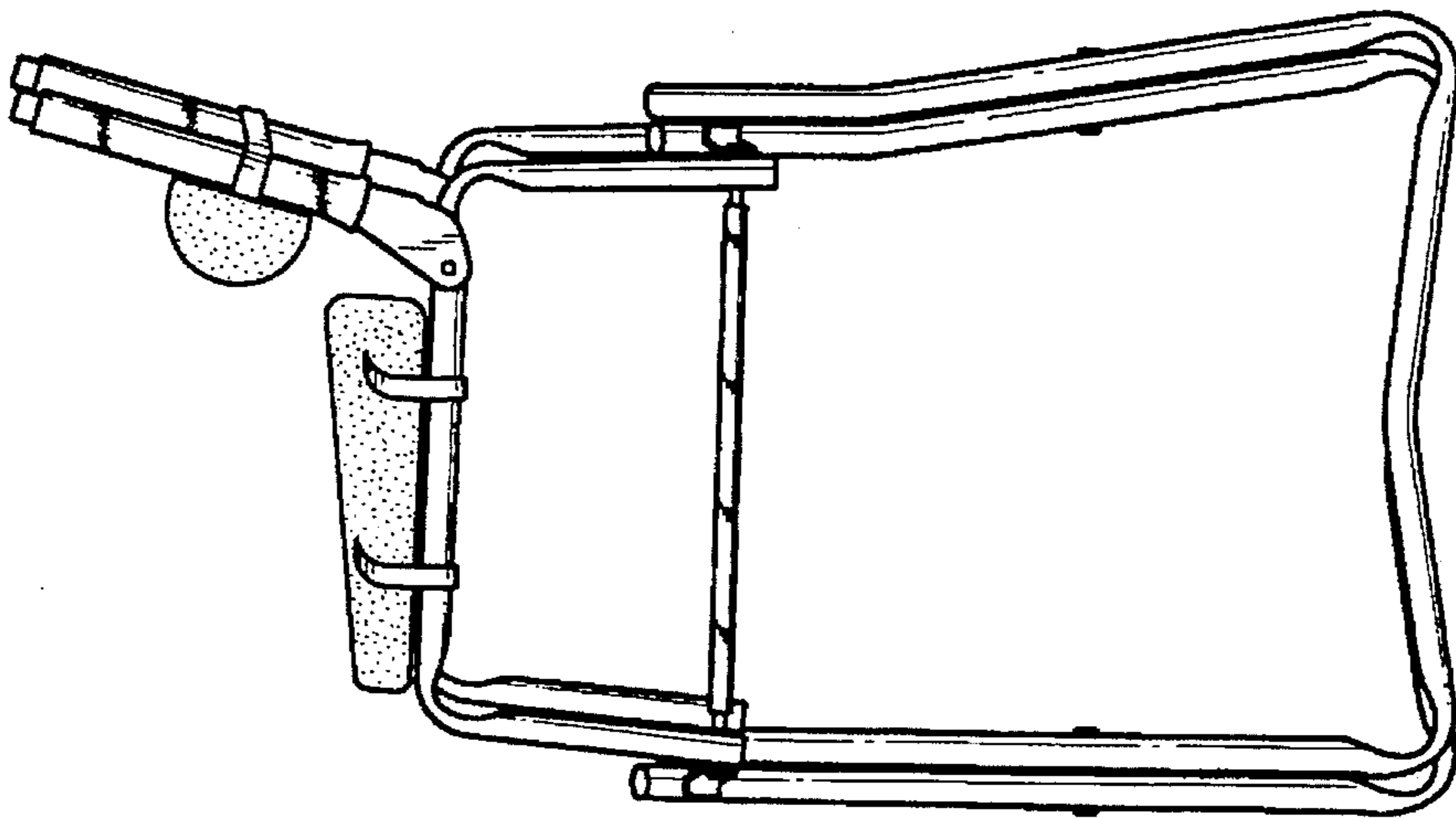


Fig. 13

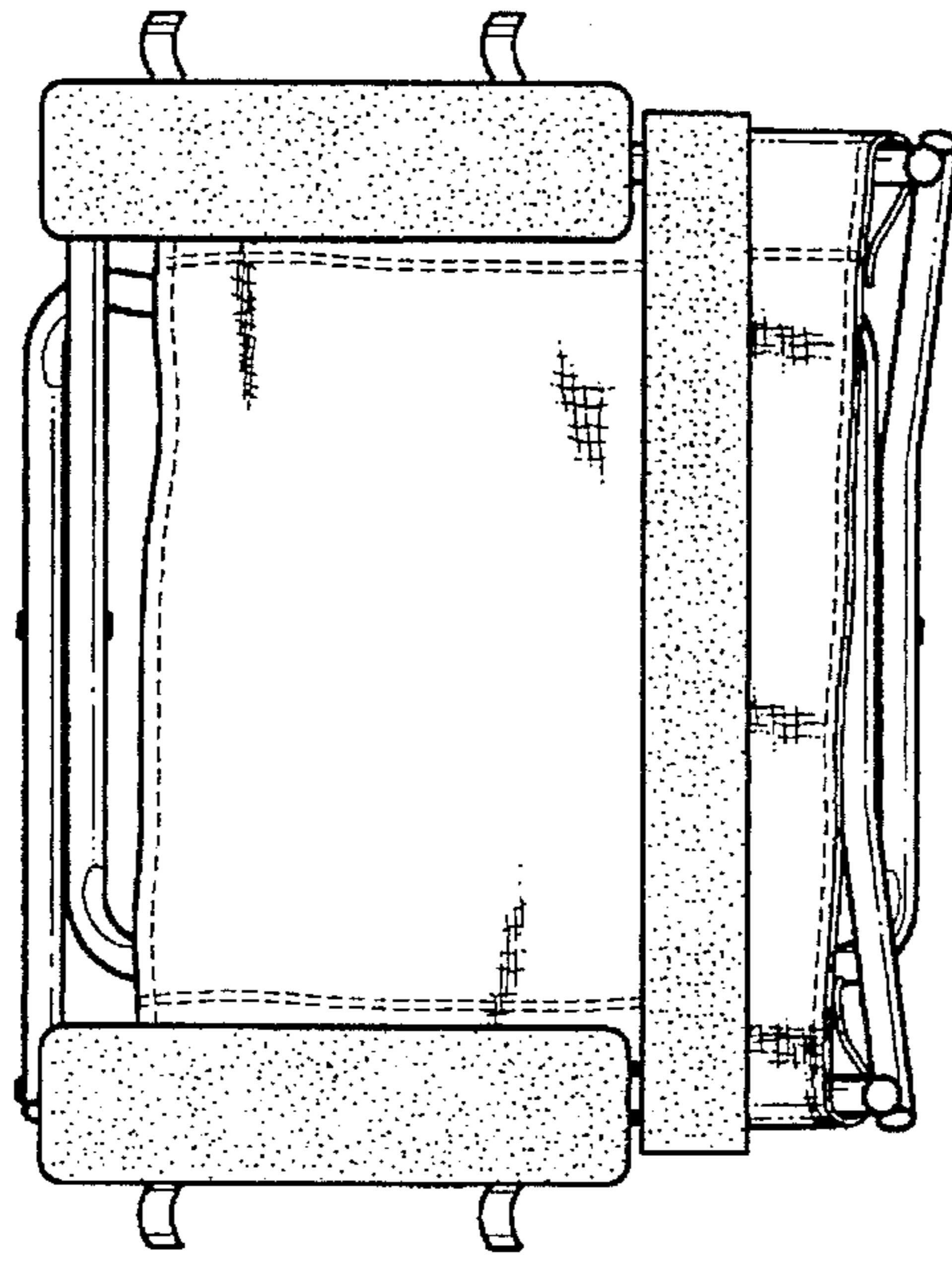


Fig. 16

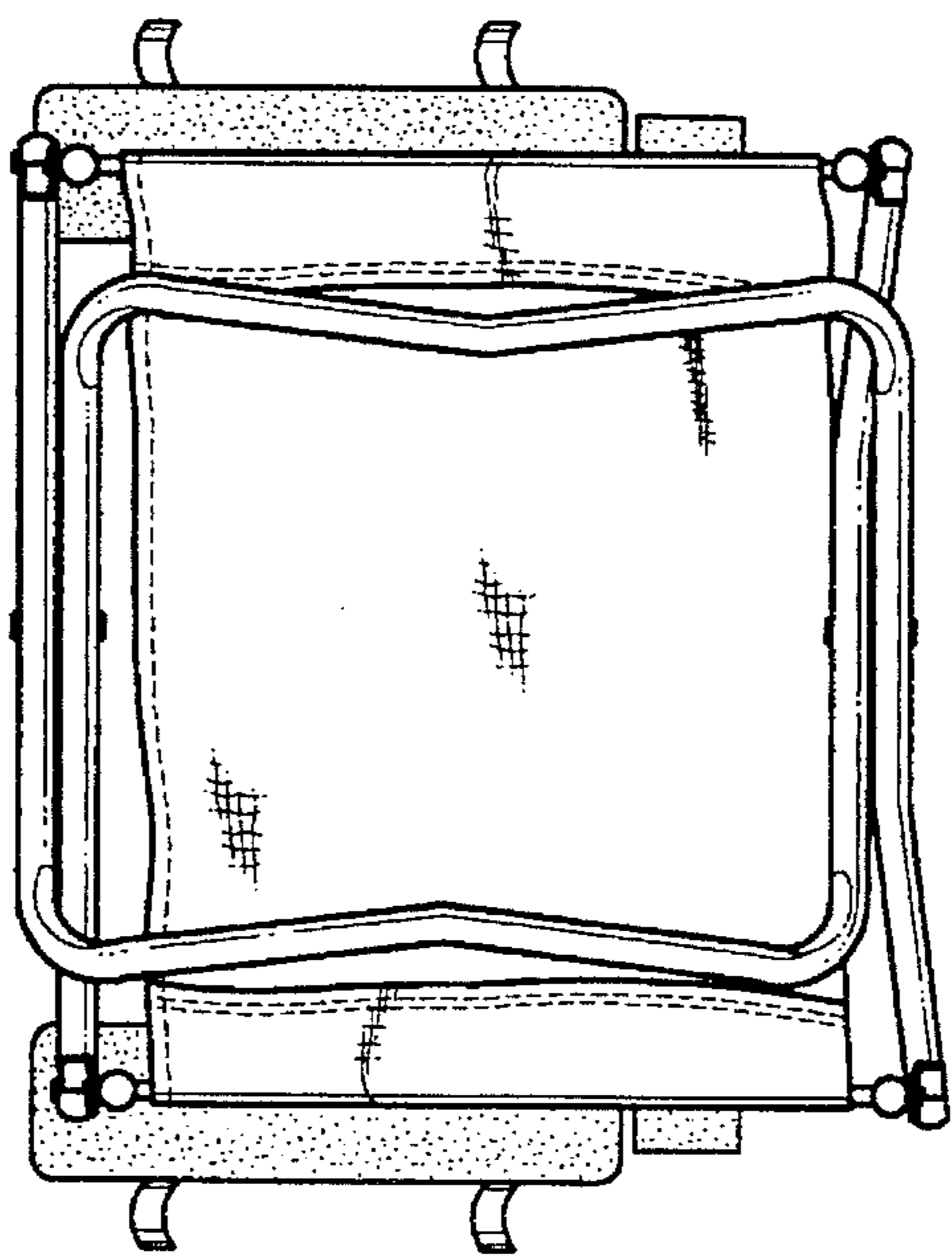


Fig. 15