



US00D376483S

United States Patent [19]

Yamasaki

[11] Patent Number: **Des. 376,483**

[45] Date of Patent: ****Dec. 17, 1996**

[54] **MASSAGING CHAIR**

[75] Inventor: **Yoshikiyo Yamasaki**, Osaka, Japan

[73] Assignee: **Kabushiki Kaisha Fuji Iroyoki**,
Osaka, Japan

[**] Term: **14 Years**

[21] Appl. No.: **41,559**

[22] Filed: **Jul. 18, 1995**

[52] U.S. Cl. **D6/367**

[58] Field of Search D6/334, 335, 336,
D6/360, 367, 374, 500, 501, 502; 297/411.2,
446.1; 601/97-99, 102, 115, 116

[56] **References Cited**

U.S. PATENT DOCUMENTS

D. 93,384	9/1934	Daly	D6/334
D. 187,917	5/1960	Spound	D6/334
D. 228,164	8/1973	Long	D6/334
D. 247,336	2/1978	Fisher	D6/334
D. 288,505	3/1987	Yamasaki	D6/360
D. 336,167	6/1993	Yamasaki et al.	D6/367
D. 336,999	7/1993	Yamasaki et al.	D6/367

OTHER PUBLICATIONS

Domus, Dec. 1978, p. 44, chair at center page right.
Hammacher Schlemmer, Mid-Summer 1993, p. 35, chair at
bottom right.
Sharper Image, p. 39, chair at bottom right.

Primary Examiner—Gary D. Watson

Attorney, Agent, or Firm—Flynn, Thiel, Boutell & Tanis,
P.C.

[57] **CLAIM**

The ornamental design for a massaging chair, as shown and
described.

DESCRIPTION

FIG. 1 is a front view of massaging chair, showing my new
design;

FIG. 2 is a rear elevational view thereof;

FIG. 3 is a top plan view thereof;

FIG. 4 is a bottom view thereof;

FIG. 5 is a right side elevational view thereof;

FIG. 6 is a left side elevational view thereof;

FIG. 7 is a perspective view showing the massaging chair
when the footrest is lowered;

FIG. 8 is a perspective view illustrating how an individual,
shown in phantom, uses the massaging chair;

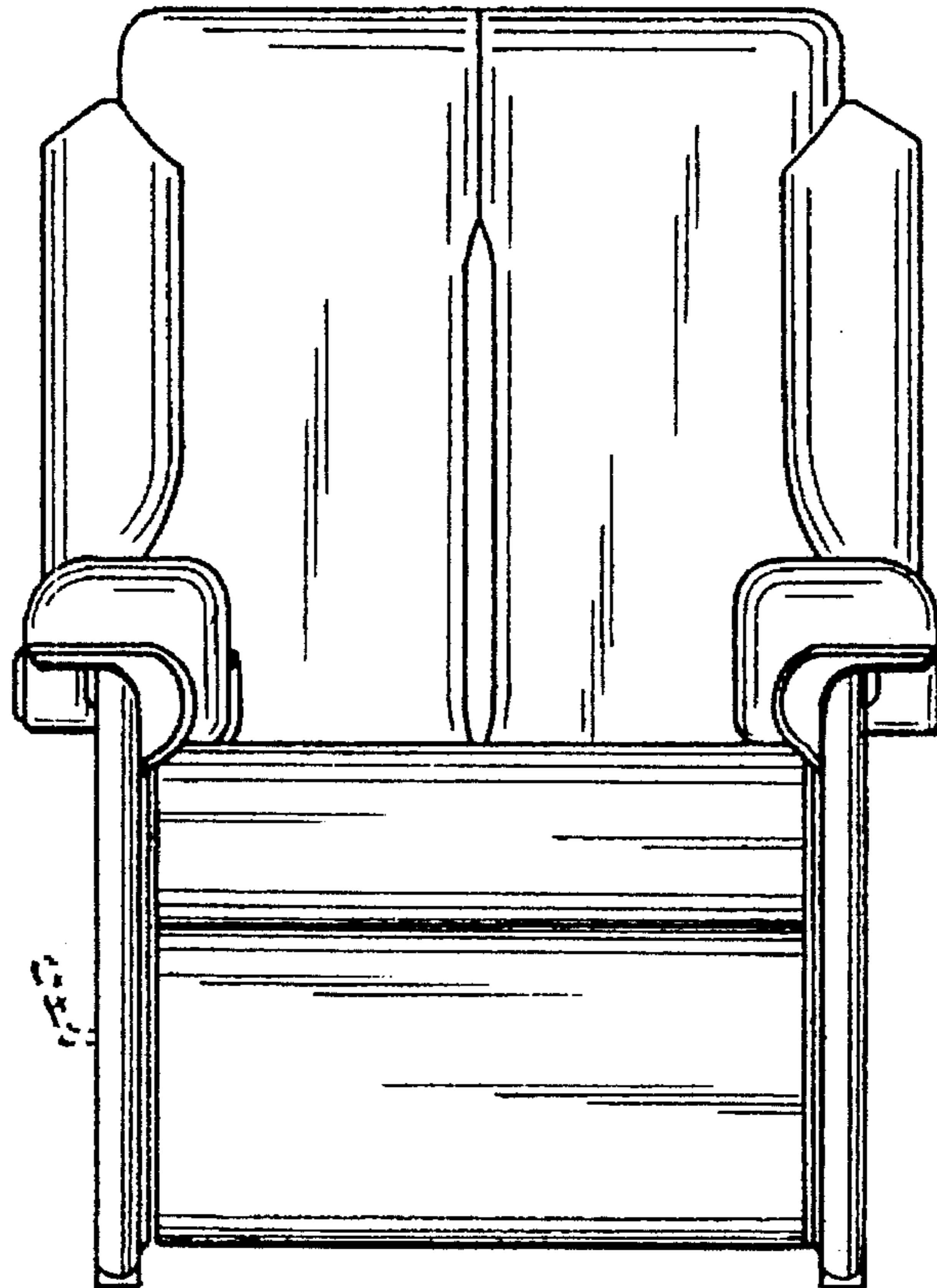
FIG. 9 is a perspective view showing the massaging chair
when the footrest is extended;

FIG. 10 is a perspective view showing the massaging chair
when the backrest is inclined rearward; and,

FIG. 11 is a perspective view showing the massaging chair
when the backrest is inclined rearward and the footrest is
extended.

The broken line showings of a human form in FIG. 8 and
adjustment handles in FIGS. 1, 2 and 6 are for environmental
purposes only and form no part of the claimed design.

1 Claim, 6 Drawing Sheets



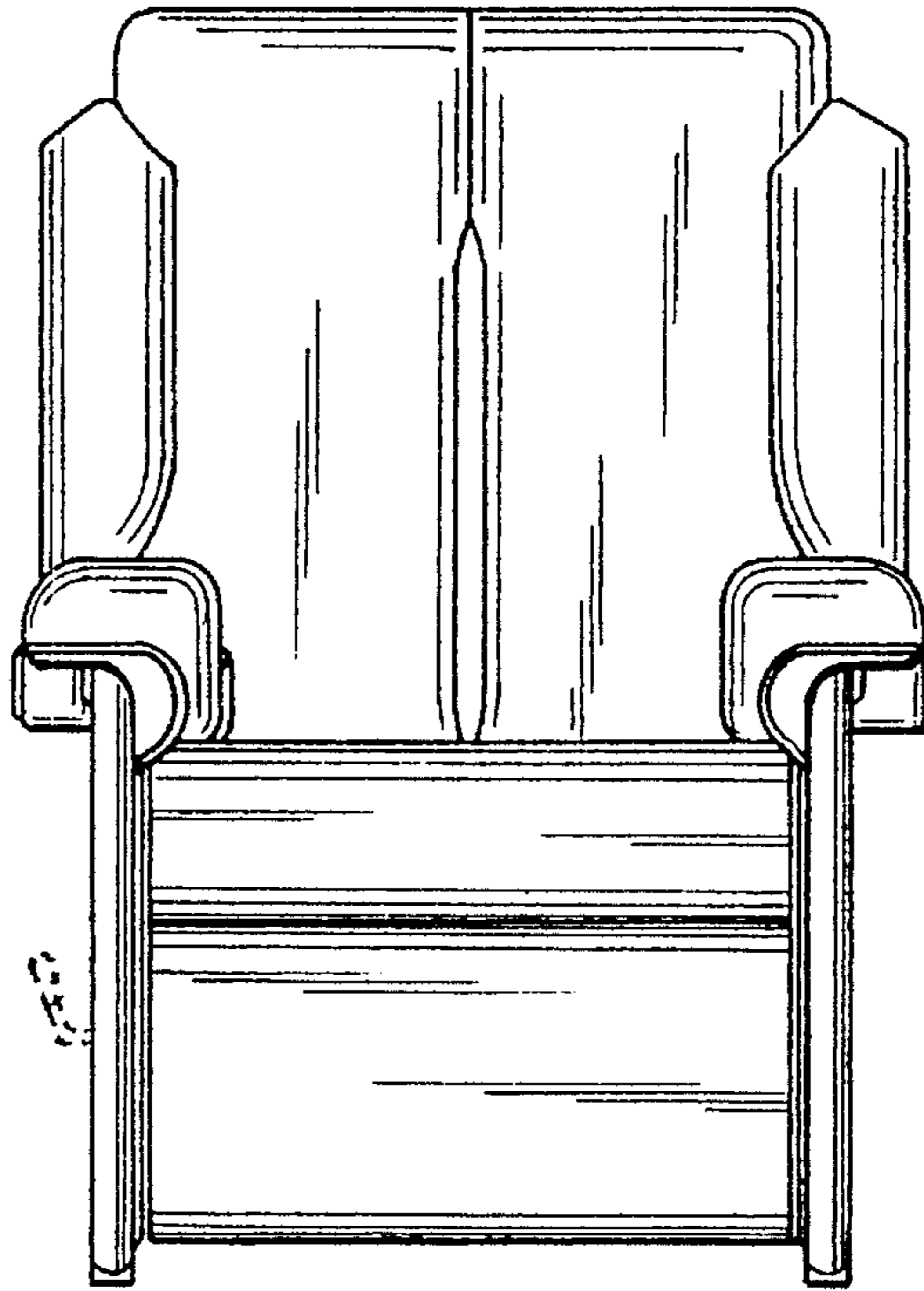


FIG. 1

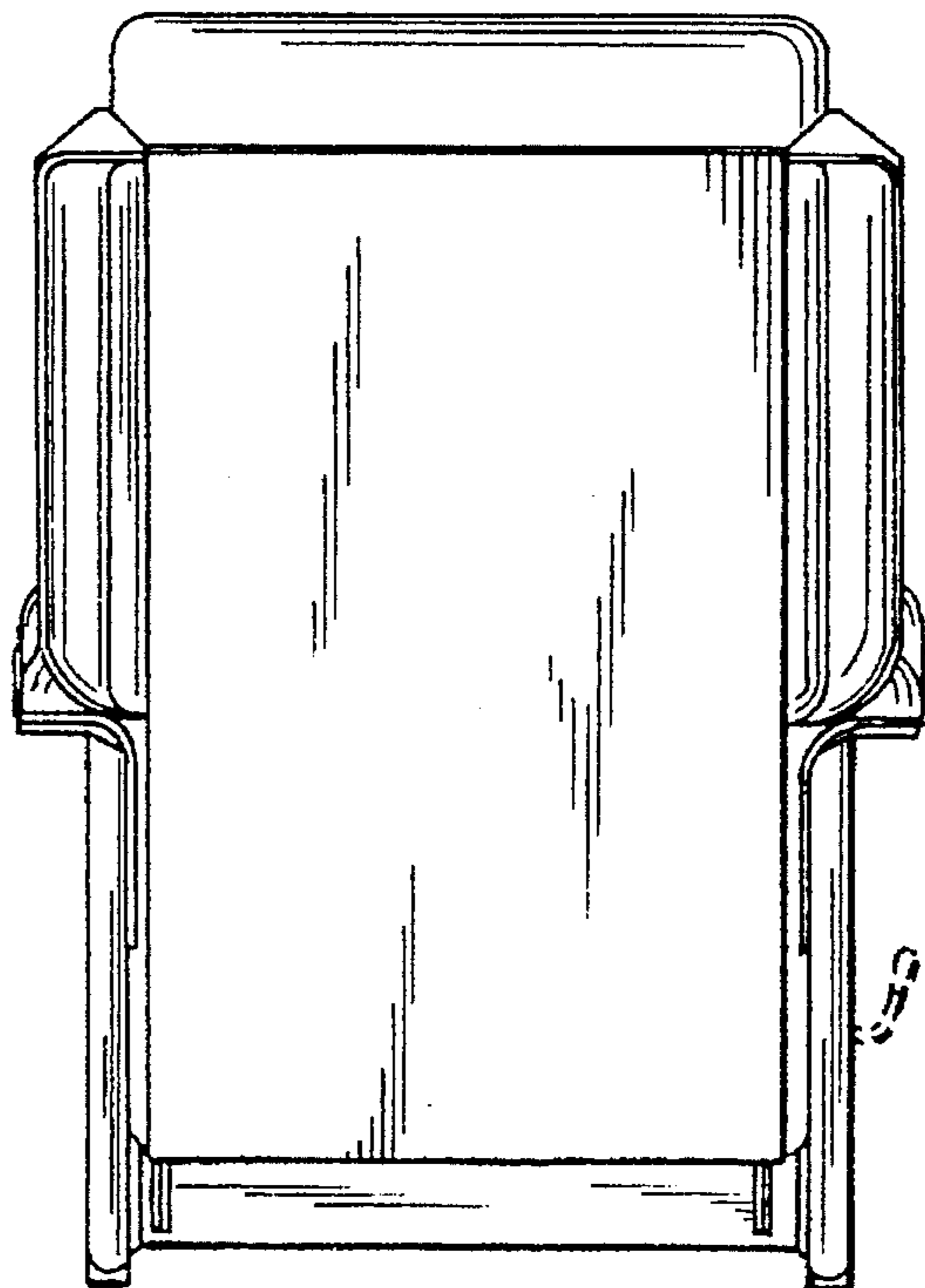


FIG. 2

FIG. 3

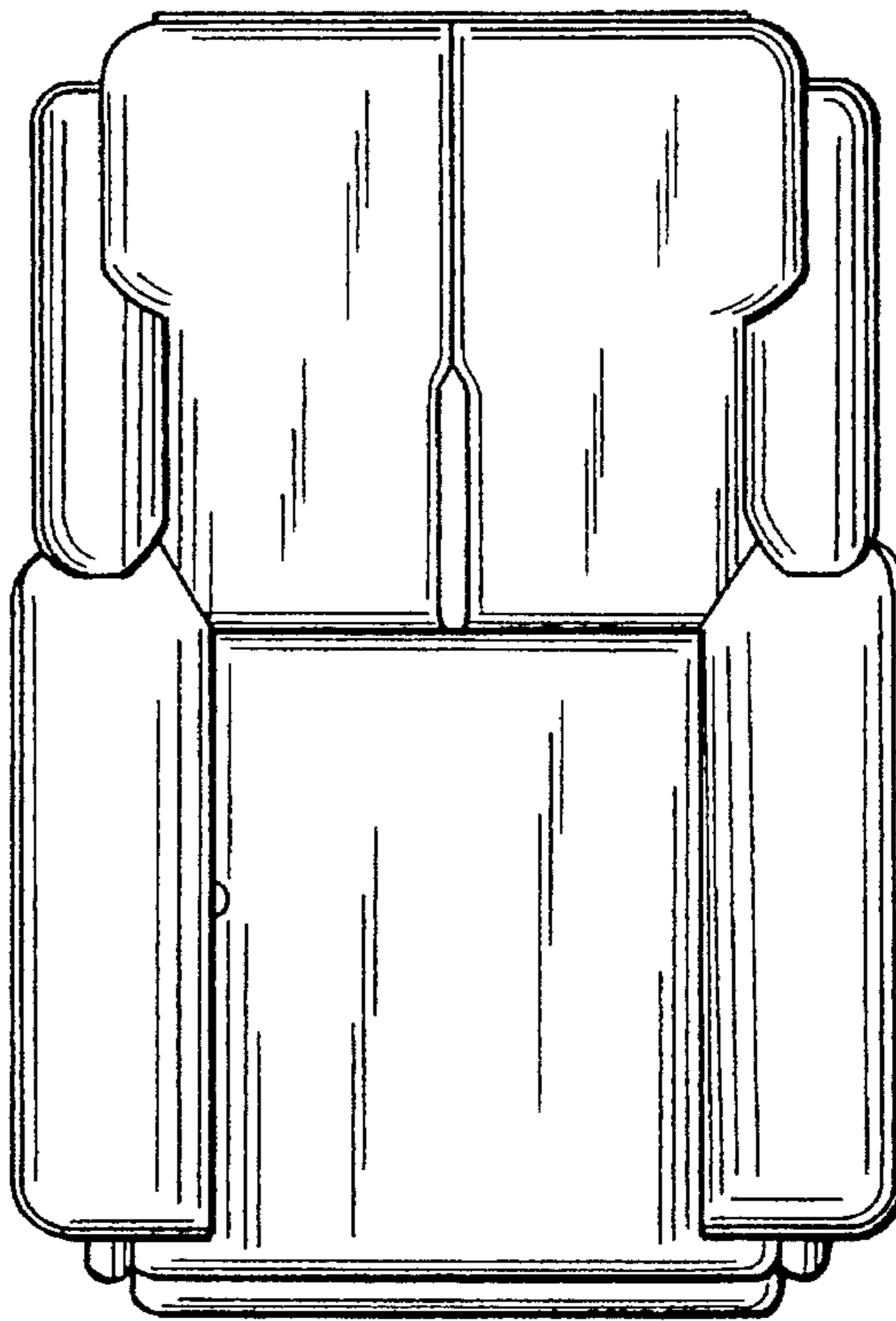


FIG. 4

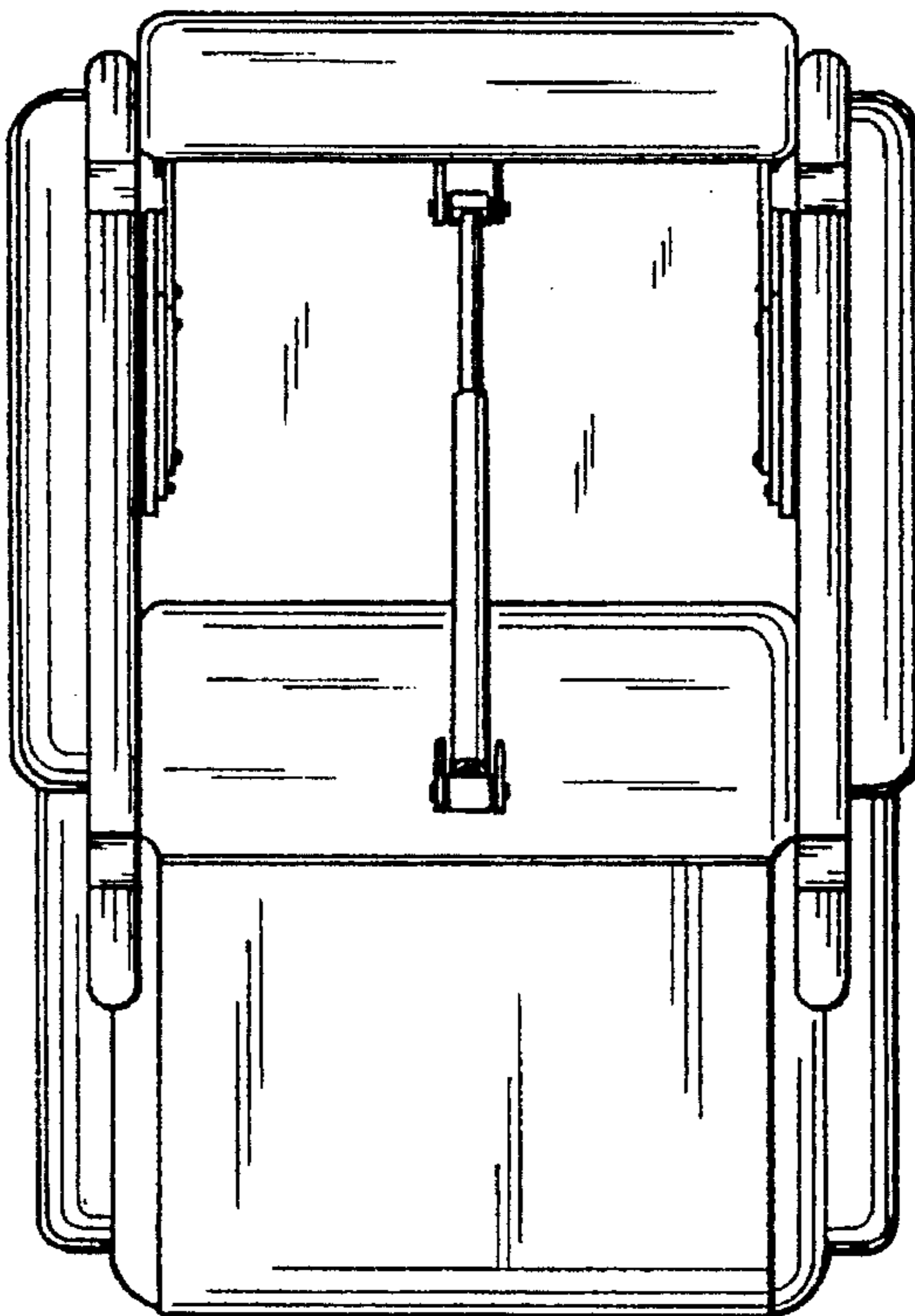


FIG. 5

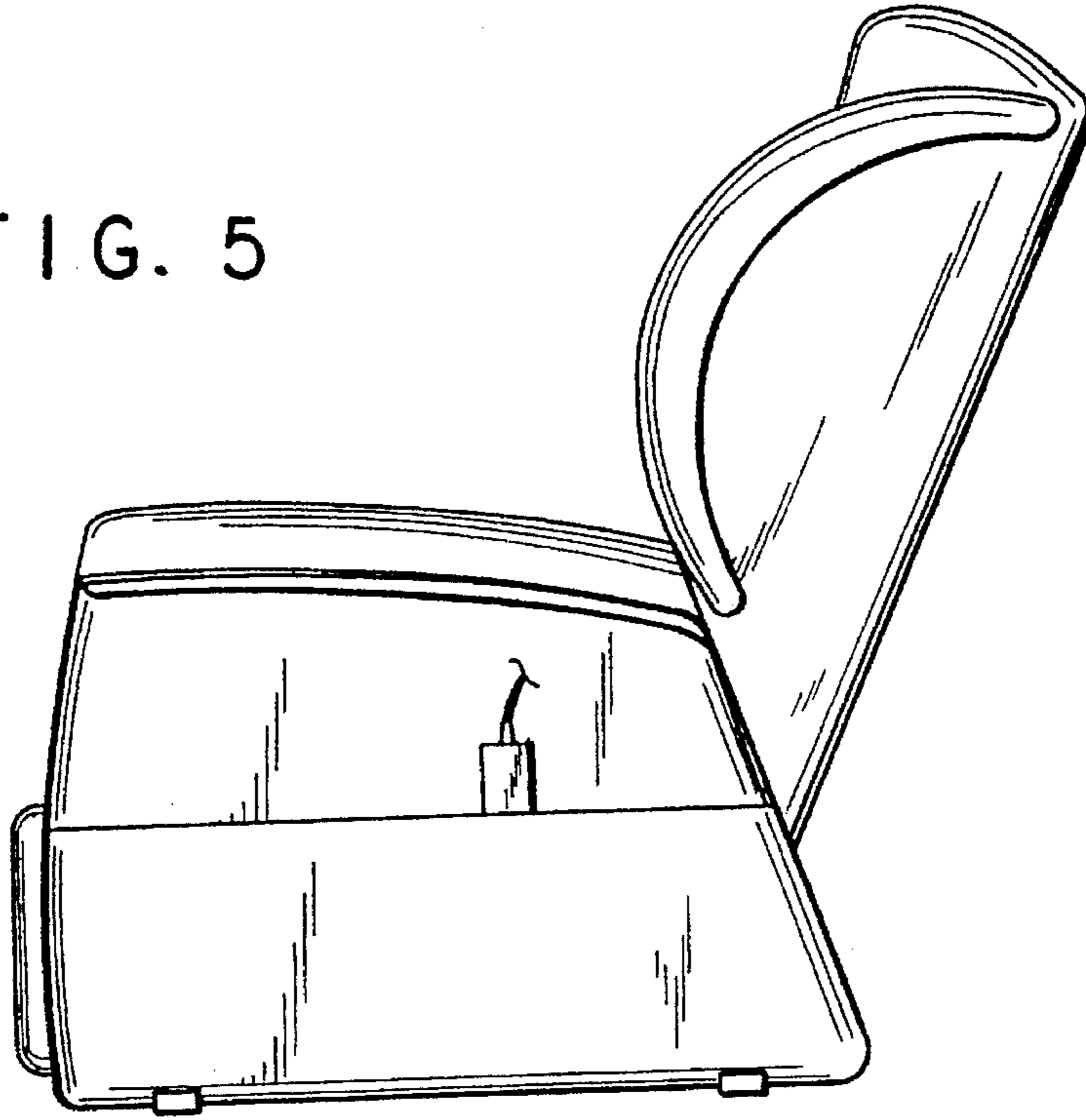


FIG. 6

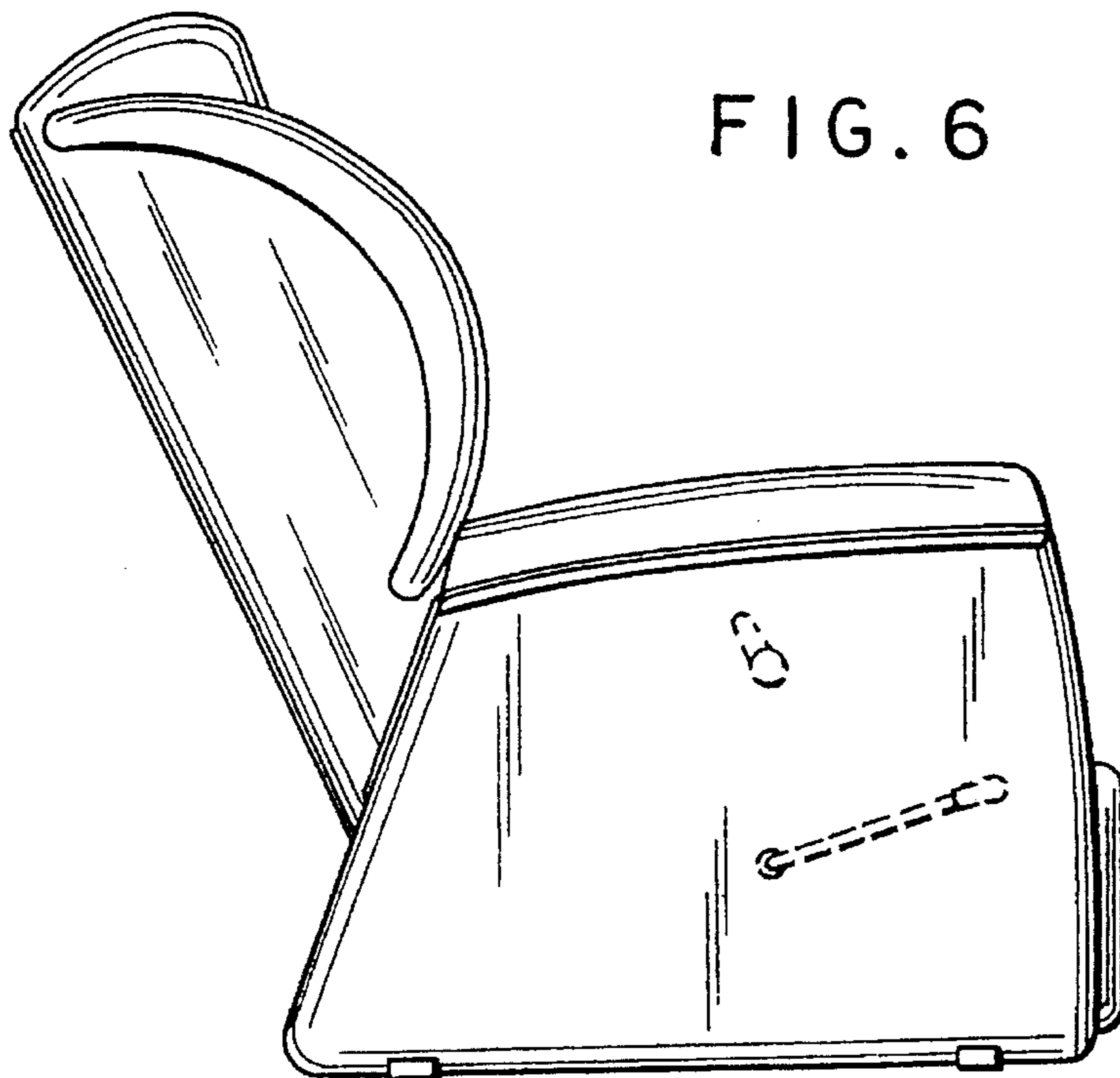


FIG. 7

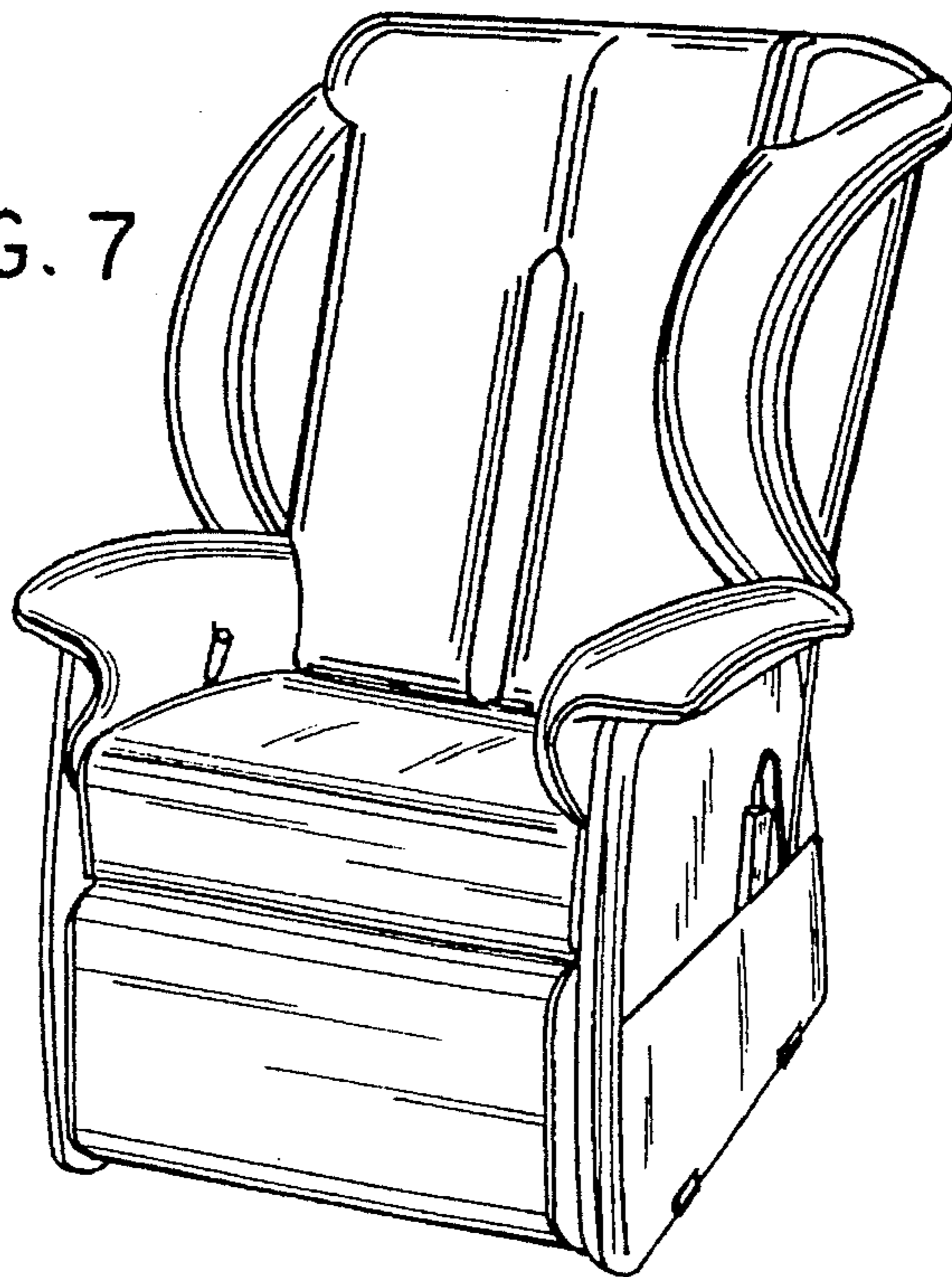


FIG. 8

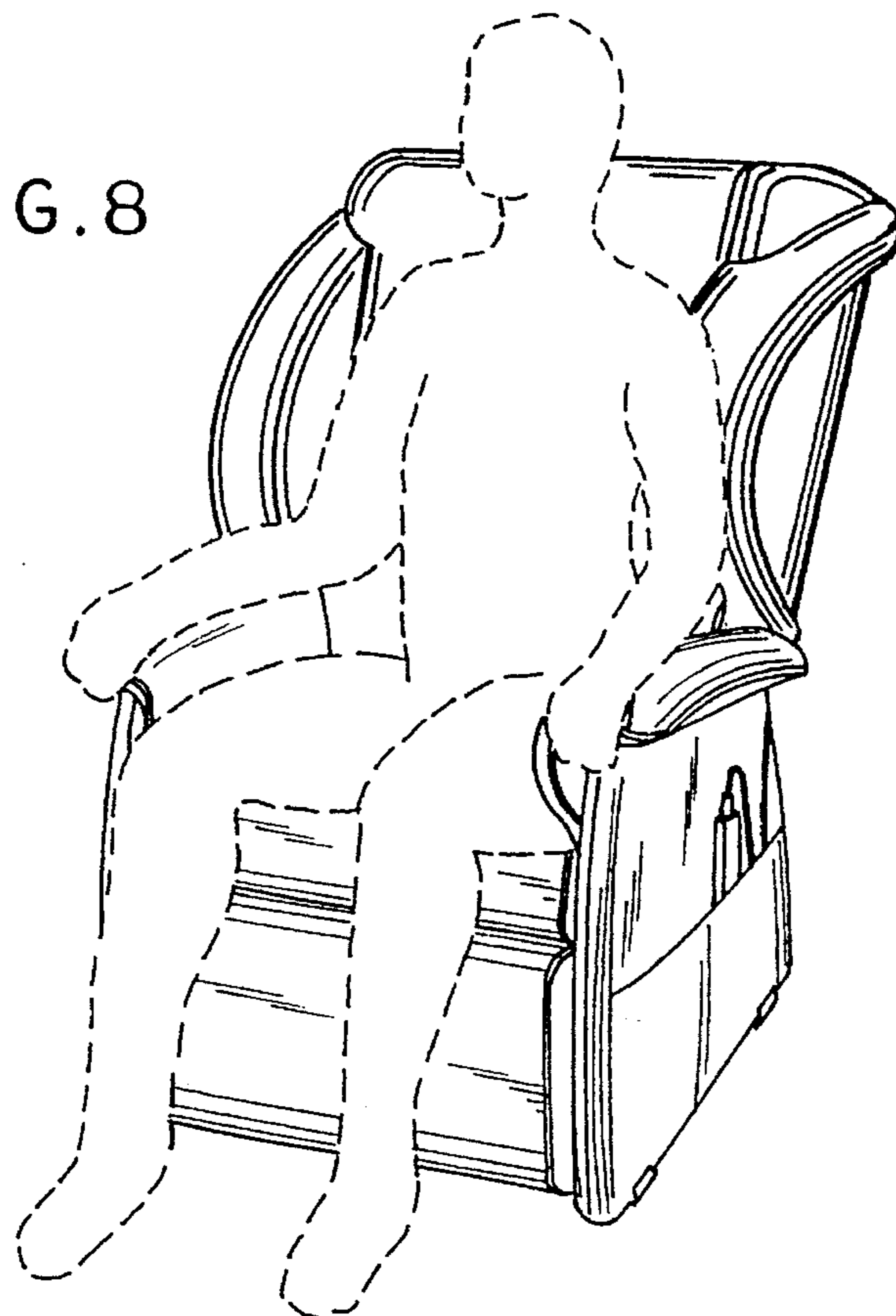


FIG. 9

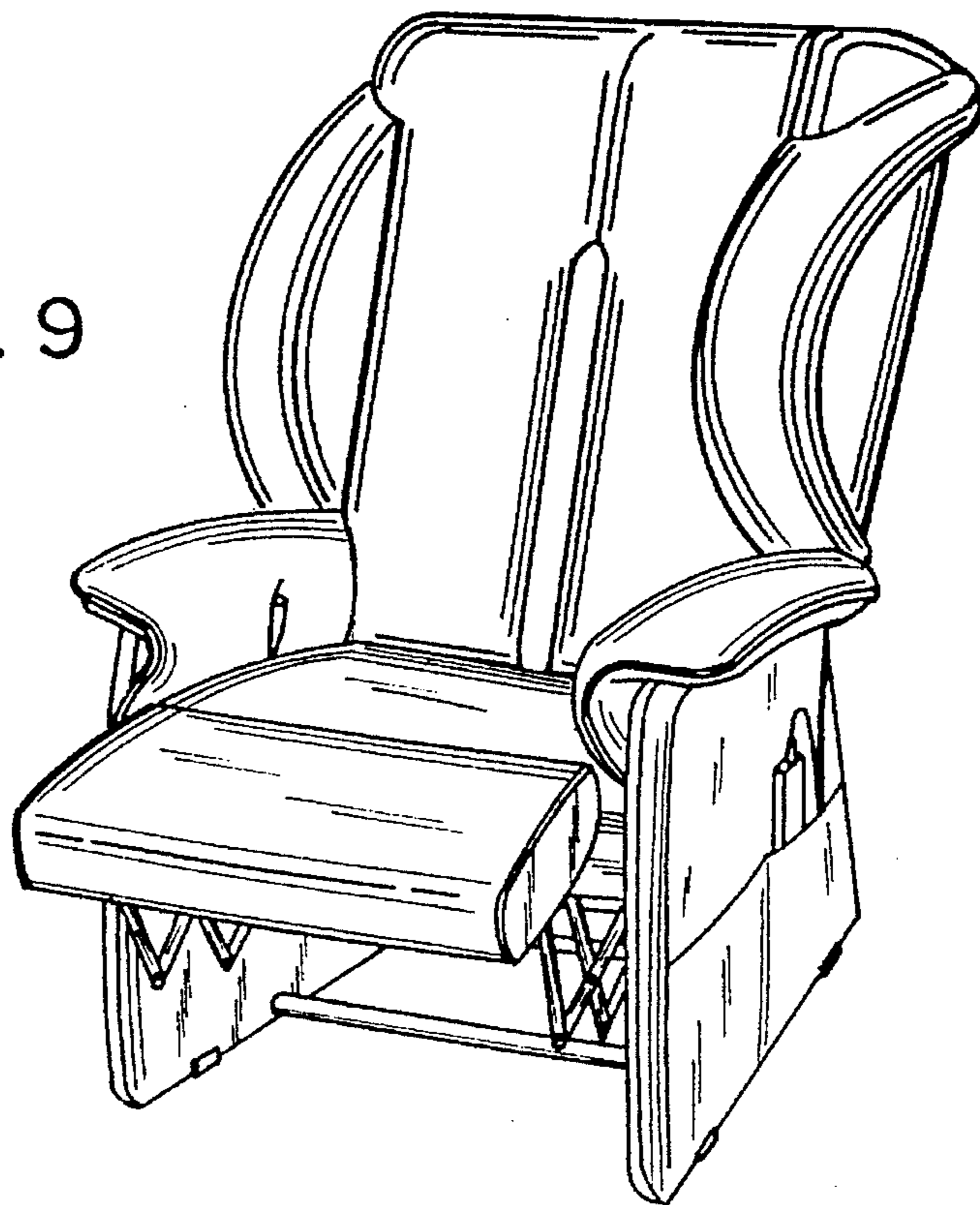


FIG. 10

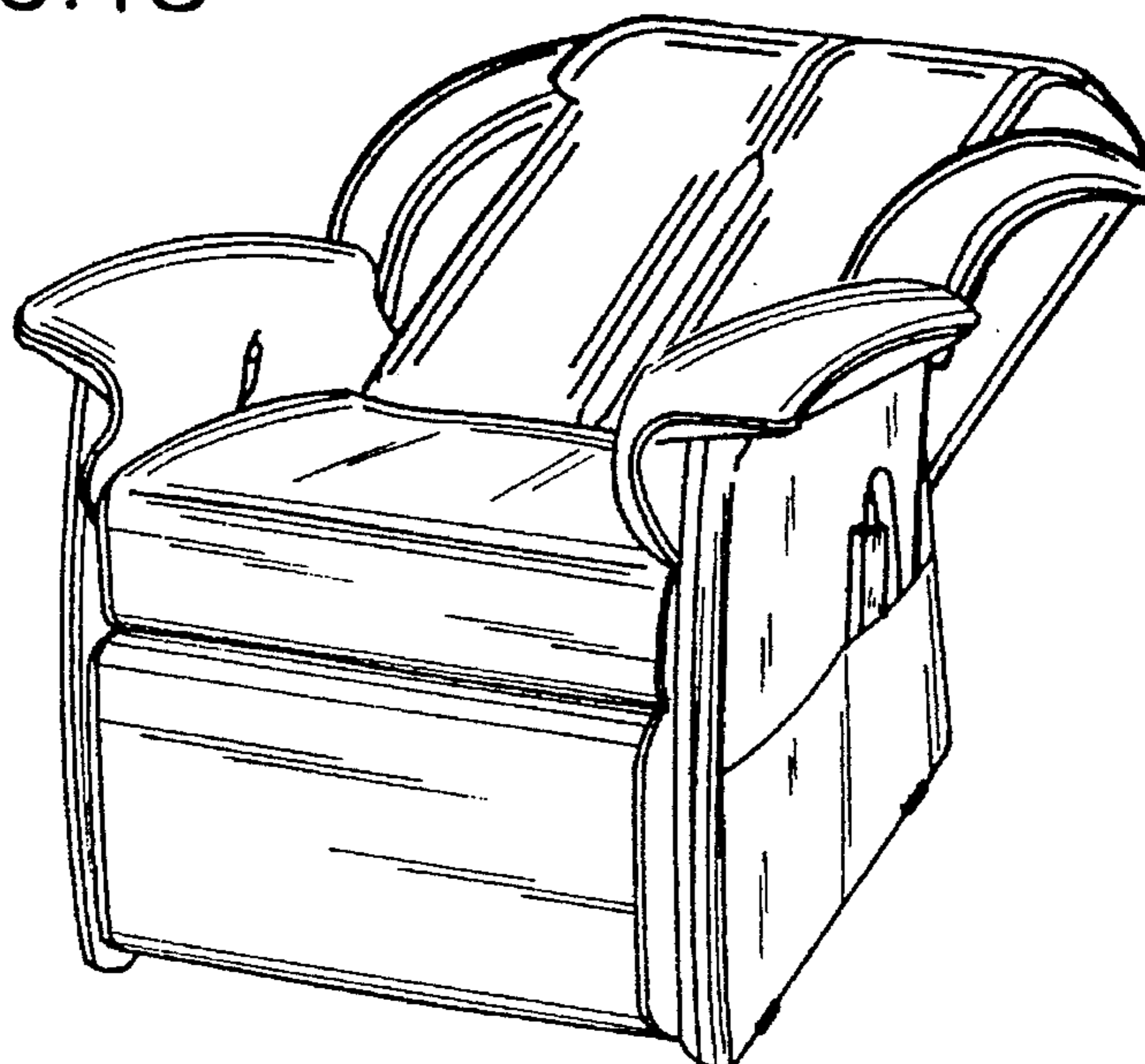
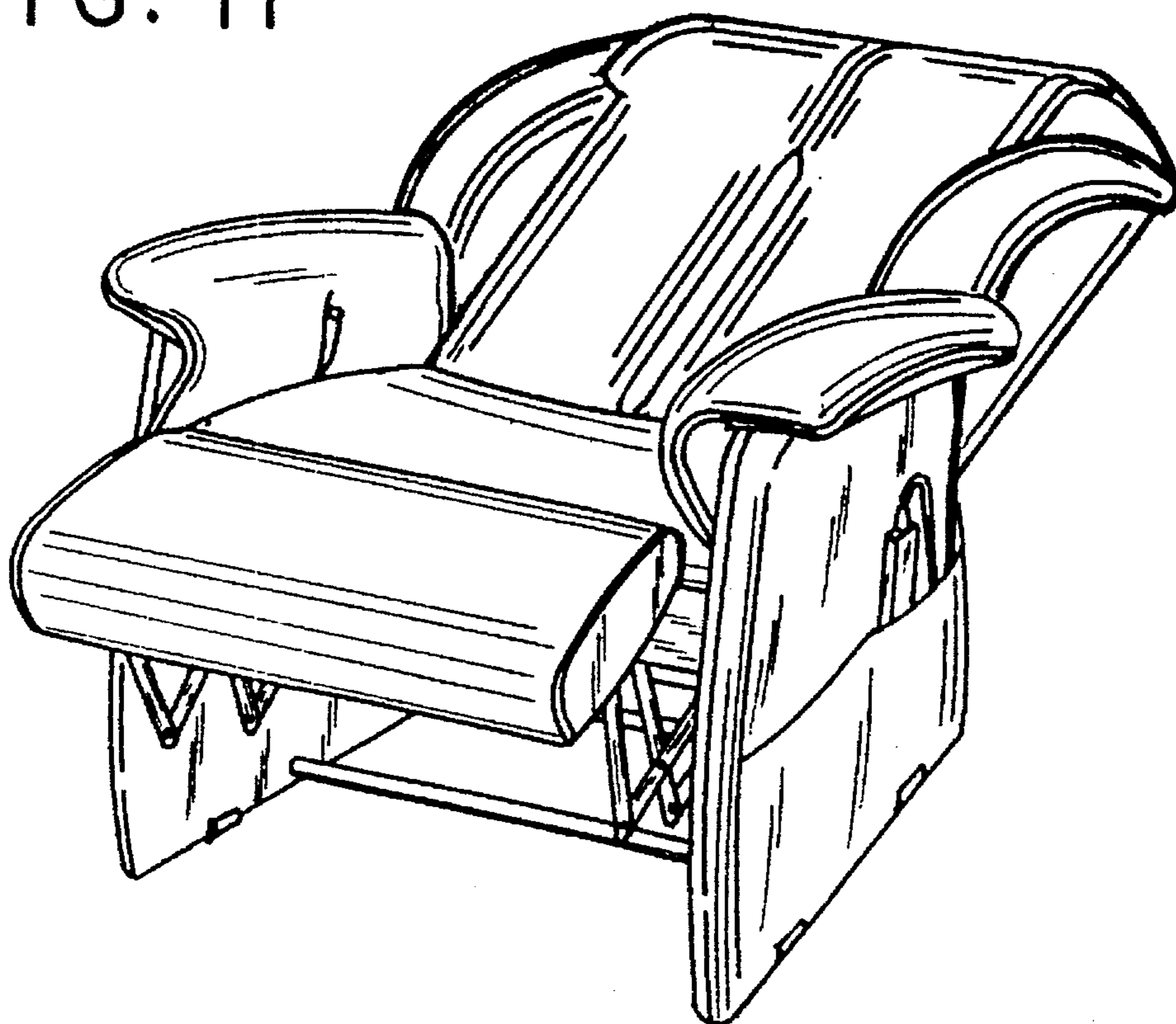


FIG. II



UNITED STATES PATENT AND TRADEMARK OFFICE
CERTIFICATE OF CORRECTION

PATENT NO. : D 376 483
DATED : December 17, 1996
INVENTOR(S) : Yoshikiyo Yamasaki

It is certified that error appears in the above-identified patent and that said Letters Patent is hereby corrected as shown below:

On the title page, Section [73] Assignee:
change "Kabushiki Kaisha Fuji Iroyoki" to
---Kabushiki Kaisha Fuji Iryoki---

Signed and Sealed this
Twenty-seventh Day of May, 1997

Attest:



BRUCE LEHMAN

Attesting Officer

Commissioner of Patents and Trademarks