



US00D376481S

United States Patent [19]

Bidwell et al.

[11] Patent Number: **Des. 376,481**

[45] Date of Patent: ****Dec. 17, 1996**

[54] **KNEELING BOARD**

[76] Inventors: **Tom Bidwell; Carol Bidwell**, both of
R.D. 1 Box 529 C Rte. 264, Phoenix,
N.Y. 13135

[**] Term: **14 Years**

[21] Appl. No.: **43,099**

[22] Filed: **Aug. 25, 1995**

[52] U.S. Cl. **D6/330**

[58] Field of Search D6/330, 349, 374,
D6/375, 406, 511, 596, 601; D7/543, 545,
546, 548, 550, 698; 2/24; 182/230; 297/423.1,
423.11, 423.16, DIG. 1

[56] **References Cited**

U.S. PATENT DOCUMENTS

D. 30,552	4/1899	Gimbel et al.	D6/330
D. 215,712	10/1969	Duckett et al.	D6/375 X
D. 224,955	10/1972	Tipton	D6/375 X
D. 292,357	10/1987	Narain	D7/550
D. 300,197	3/1989	Tingle	D7/698

D. 363,417	10/1995	Kelley	D7/698
830,103	9/1906	Rundell	182/230
1,416,429	5/1922	Williams	182/230 X
1,529,498	3/1925	Novak	182/230
4,789,046	12/1988	McDowall	2/24 X

Primary Examiner—Gary D. Watson
Attorney, Agent, or Firm—Harold H. Dutton, Jr.; W. Charles
L. Jamison; Diane F. Liebman

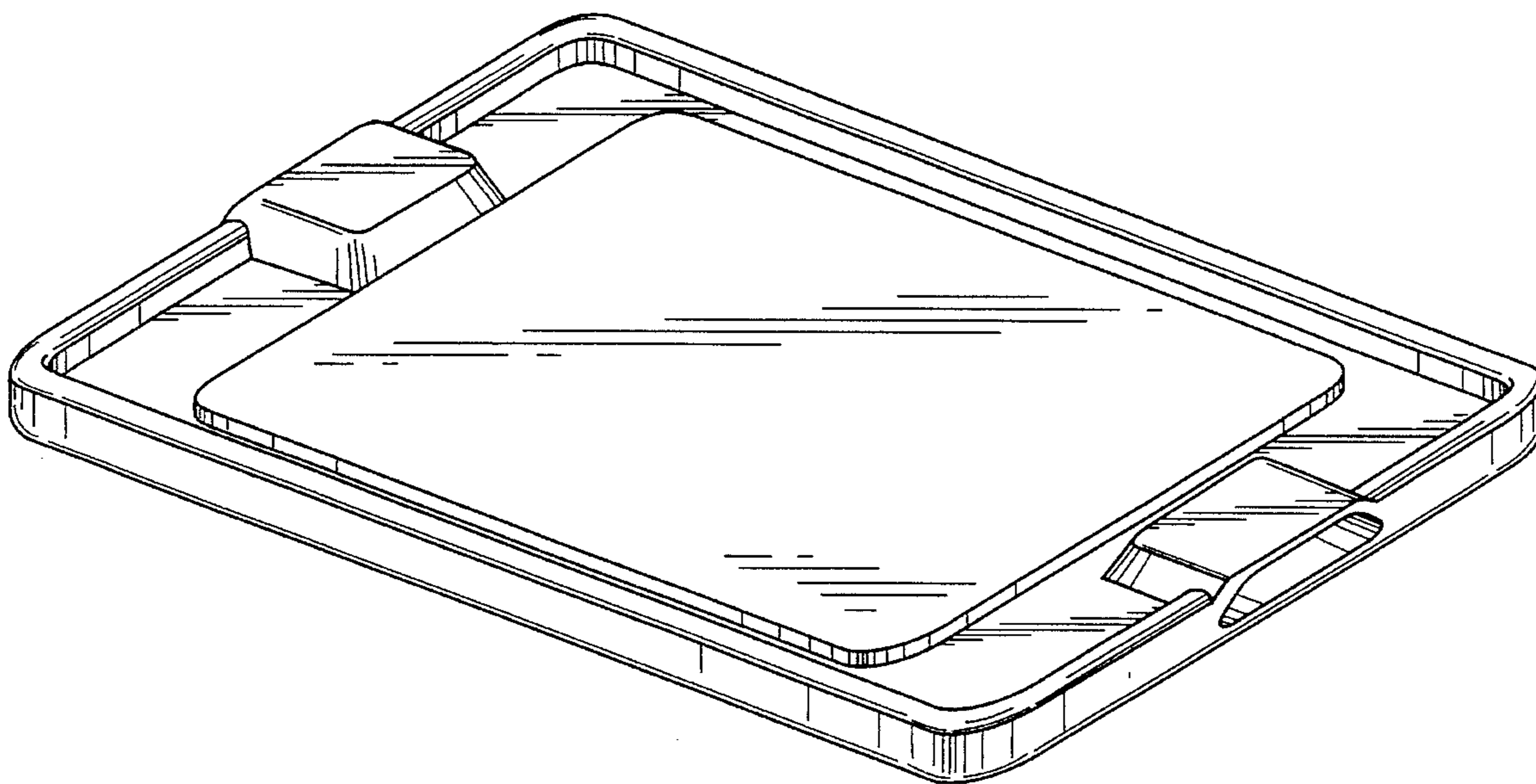
[57] **CLAIM**

The ornamental design for a kneeling board, as shown.

DESCRIPTION

FIG. 1 is a perspective view of a kneeling board showing our new design;
FIG. 2 is a top view thereof;
FIG. 3 is a bottom view thereof;
FIG. 4 is a front view thereof;
FIG. 5 is a rear view thereof;
FIG. 6 is a right side view thereof; and,
FIG. 7 is a left side view thereof.
FIGS. 2 through 7 have been shown on a reduced scale.

1 Claim, 4 Drawing Sheets



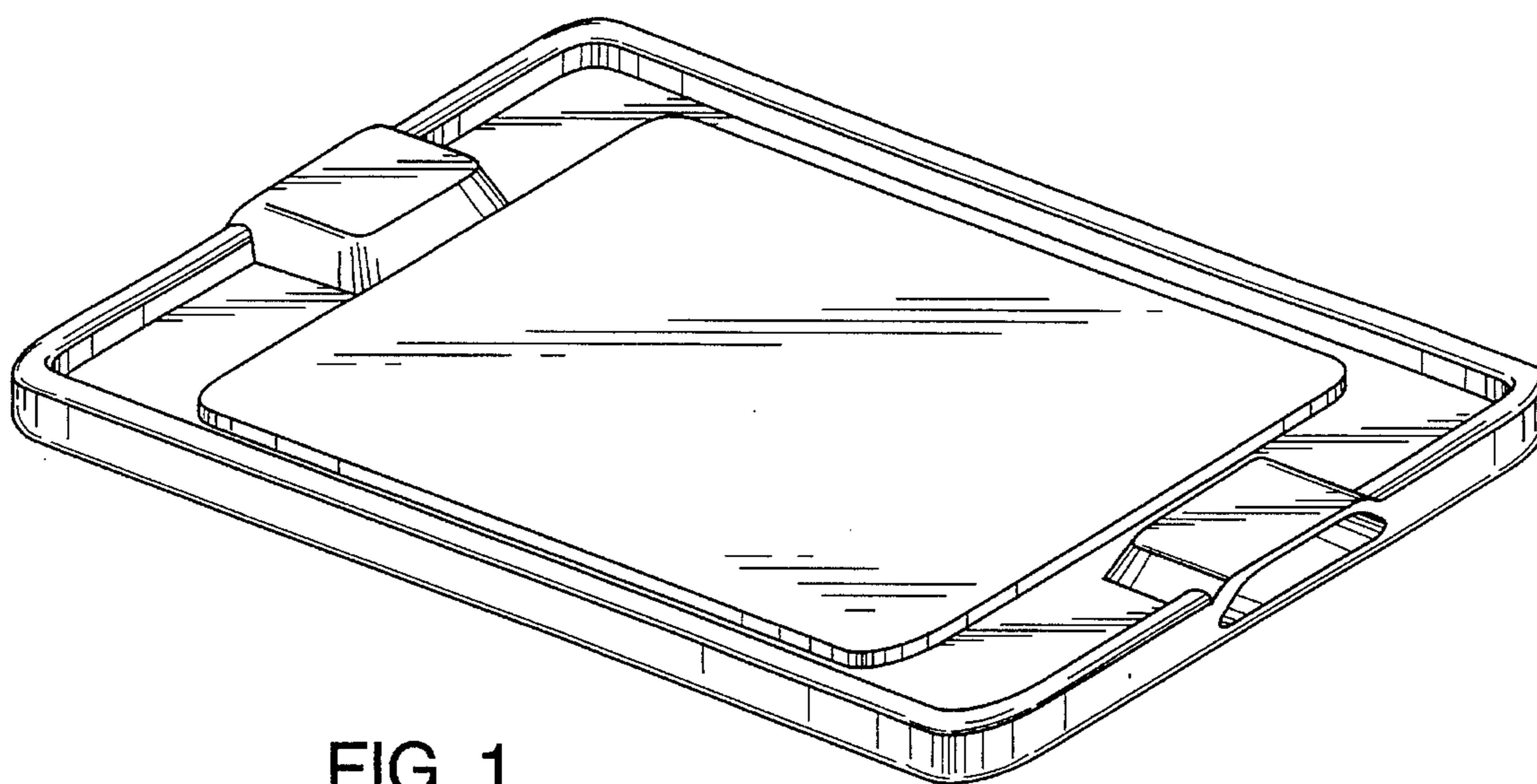


FIG. 1

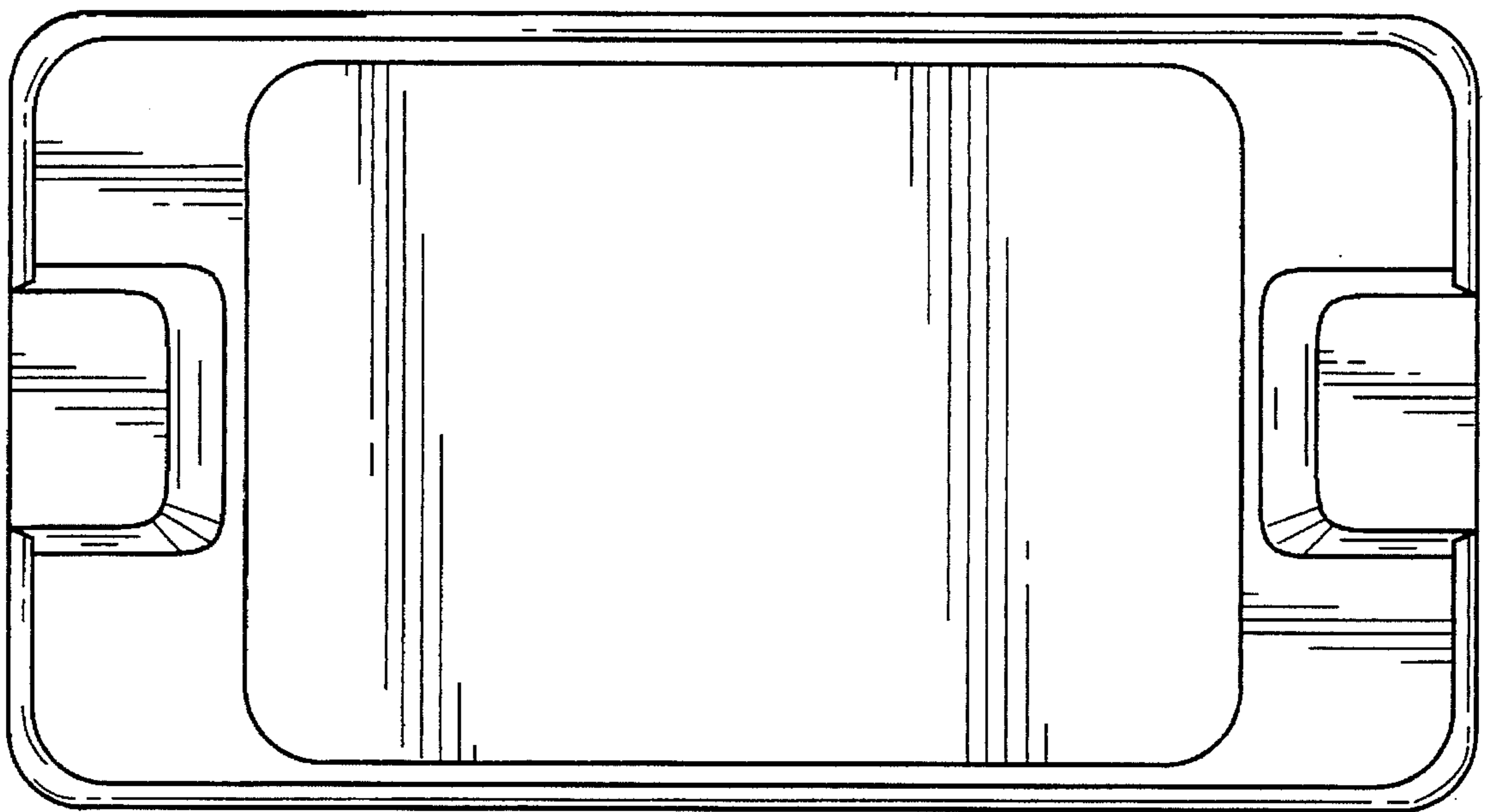


FIG. 2

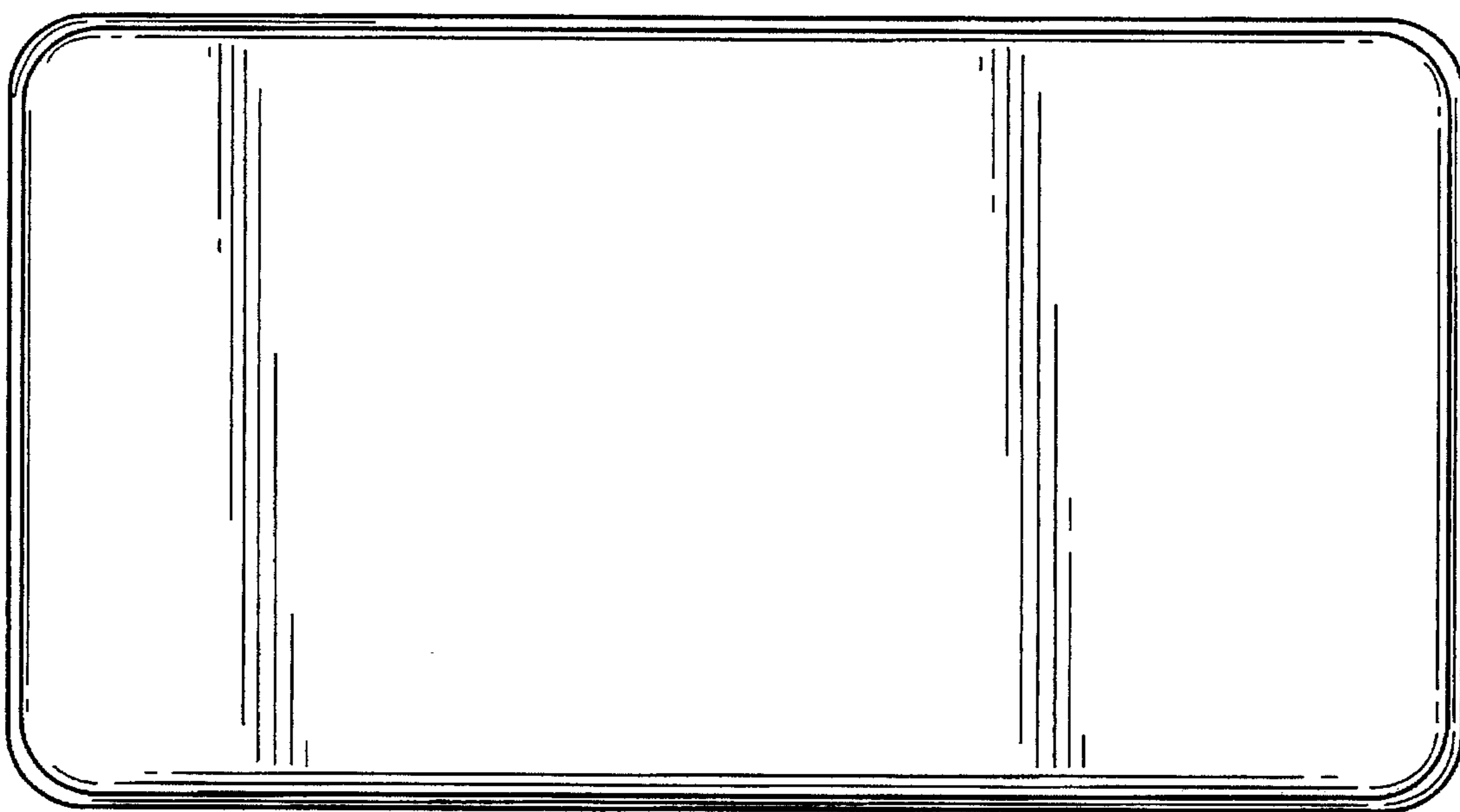


FIG. 3

FIG. 4

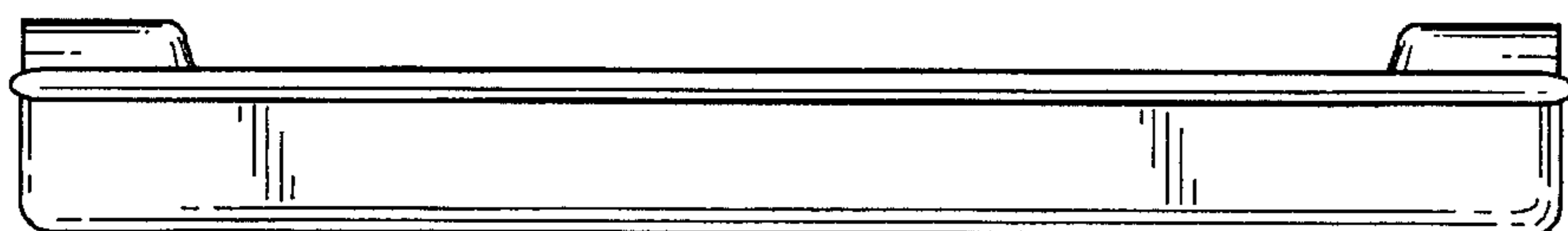


FIG. 5

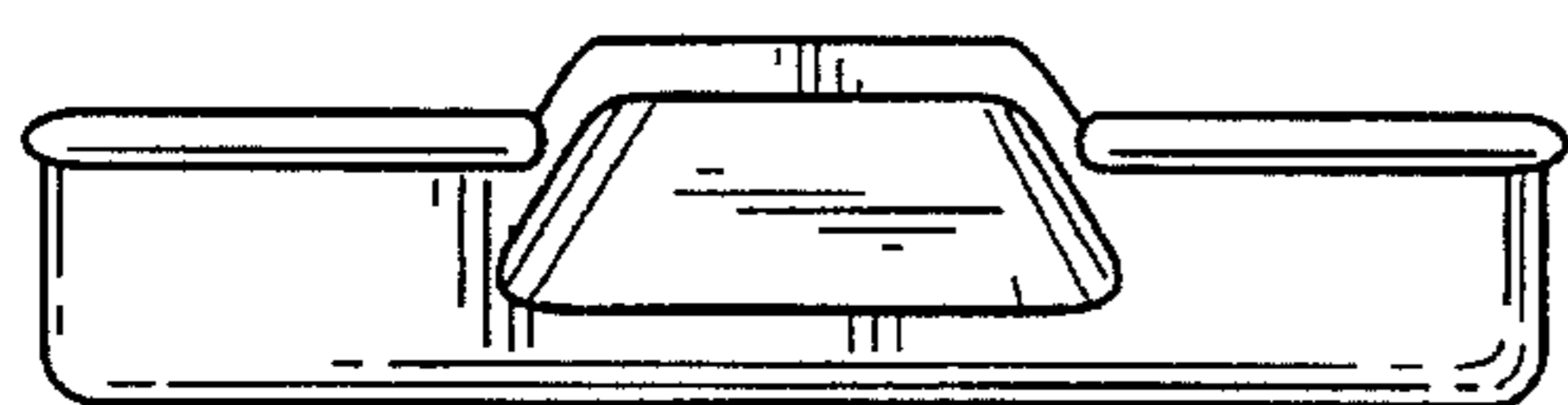
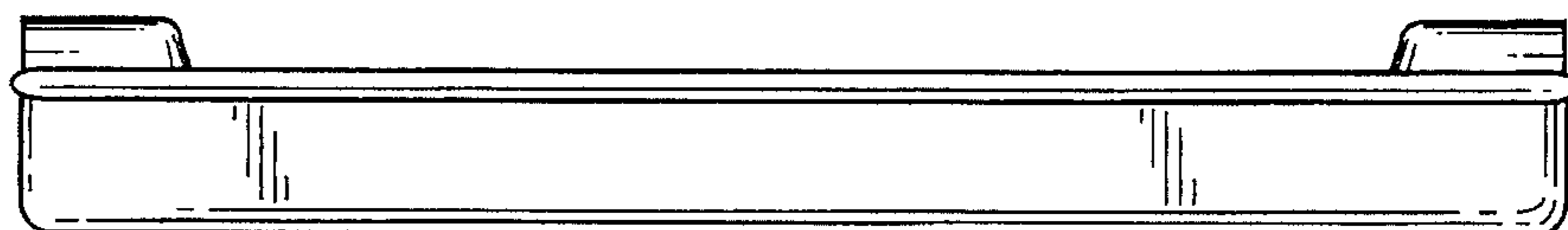


FIG. 6

FIG. 7

