



US00D376480S

# United States Patent [19]

[11] Patent Number: **Des. 376,480**

Whitehead et al.

[45] Date of Patent: **\*\*Dec. 17, 1996**

[54] CLOTHES DRYING HANGER

4,673,114	6/1987	Douglas	.....	D6/318
4,717,053	1/1988	Wang	.....	223/94
4,730,757	3/1988	Keller	.....	223/94
5,056,693	10/1991	DeBoe	.....	223/88

[76] Inventors: **Deanna R. Whitehead; Michael W. Whitehead**, both of 4750 Wall, Joplin, Mo. 64804

*Primary Examiner*—B. J. Bullock  
*Attorney, Agent, or Firm*—James A. Hudak

[\*\*] Term: **14 Years**

[57] **CLAIM**

[21] Appl. No.: **42,550**

The ornamental design for a clothes drying hanger, as shown and described.

[22] Filed: **Aug. 11, 1995**

[52] U.S. Cl. .... **D6/319; D6/315; D32/58**

**DESCRIPTION**

[58] Field of Search ..... D6/315, 318, 319; 211/113; 223/85, 86, 92; D32/59, 58

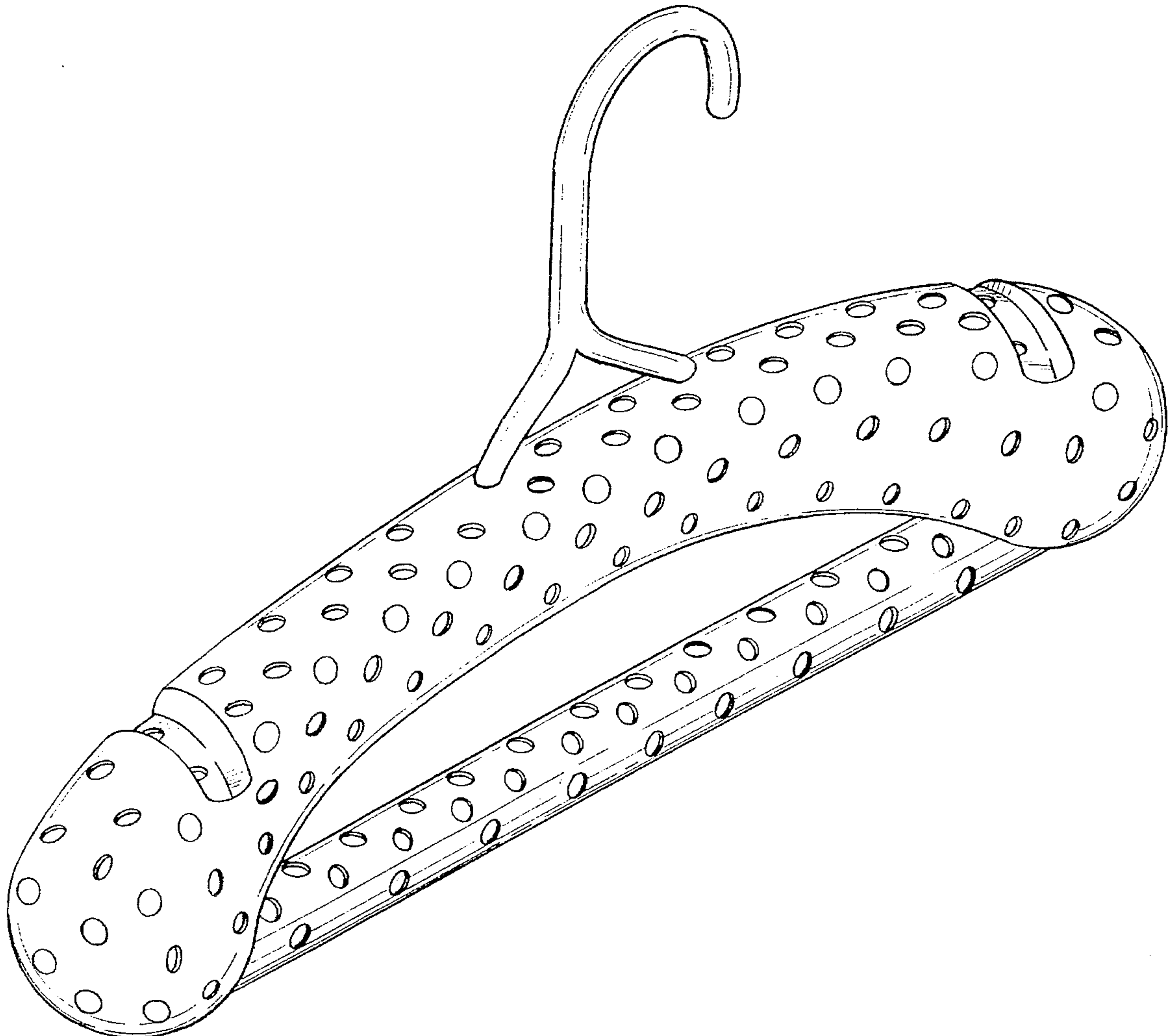
FIG. 1 is a perspective view of the clothes drying hanger showing our new design;  
FIG. 2 is a left end elevational view thereof;  
FIG. 3 is a right end elevational view thereof;  
FIG. 4 is a front elevational view thereof, the rear elevational view being a mirror image of the view shown in this Figure;  
FIG. 5 is a top plan view thereof; and,  
FIG. 6 is a bottom plan view thereof.

[56] **References Cited**

**U.S. PATENT DOCUMENTS**

D. 242,756	12/1976	Boren	.....	D6/319
1,877,283	9/1932	Diskin	.....	D6/319
2,425,547	8/1947	Lipsitz	.....	D6/319
2,429,919	10/1947	Boorstin	.....	223/86
3,207,392	9/1965	Ericson	.....	D6/315
3,301,445	1/1967	Tobia	.....	223/88

**1 Claim, 4 Drawing Sheets**



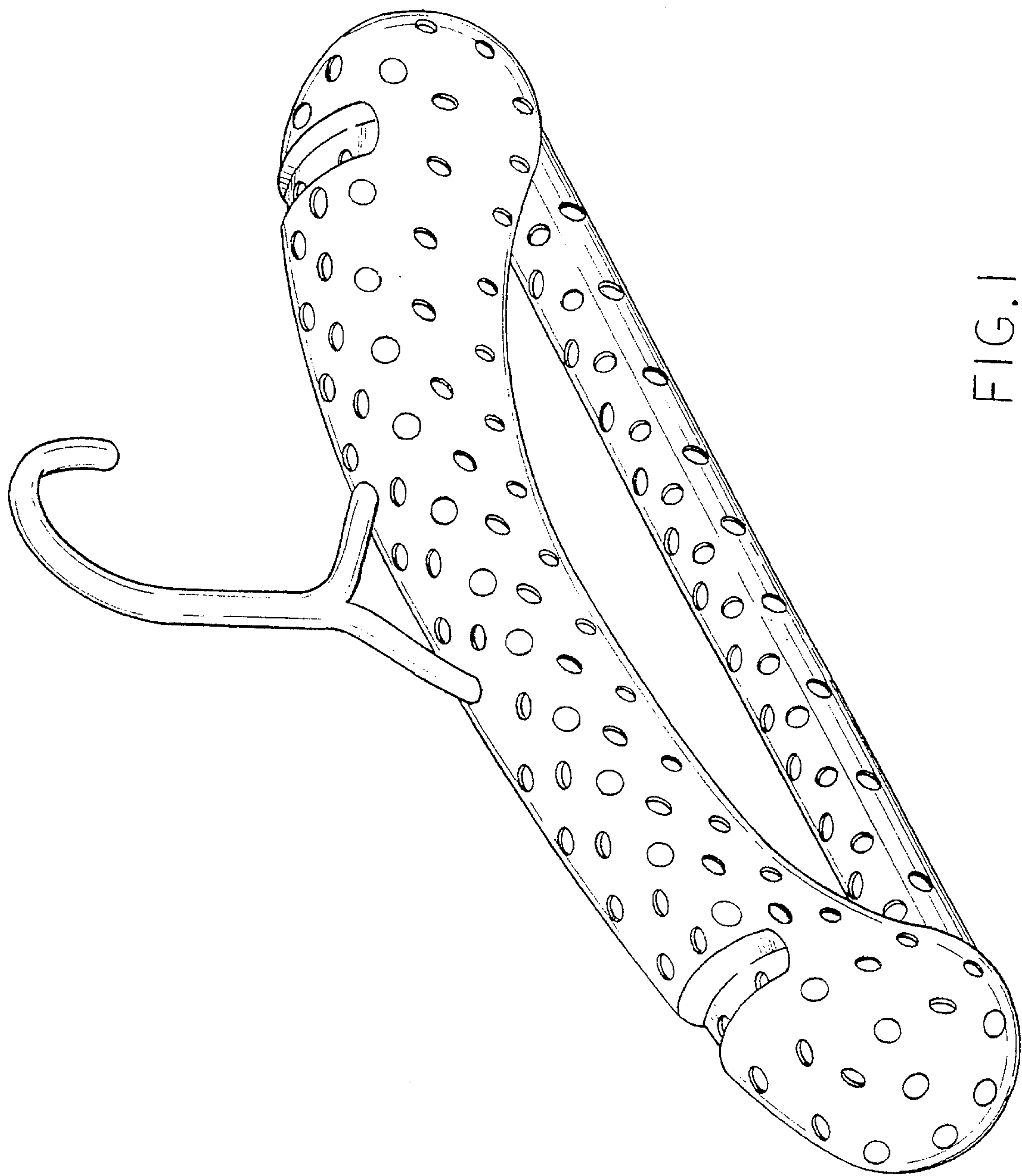


FIG. 1

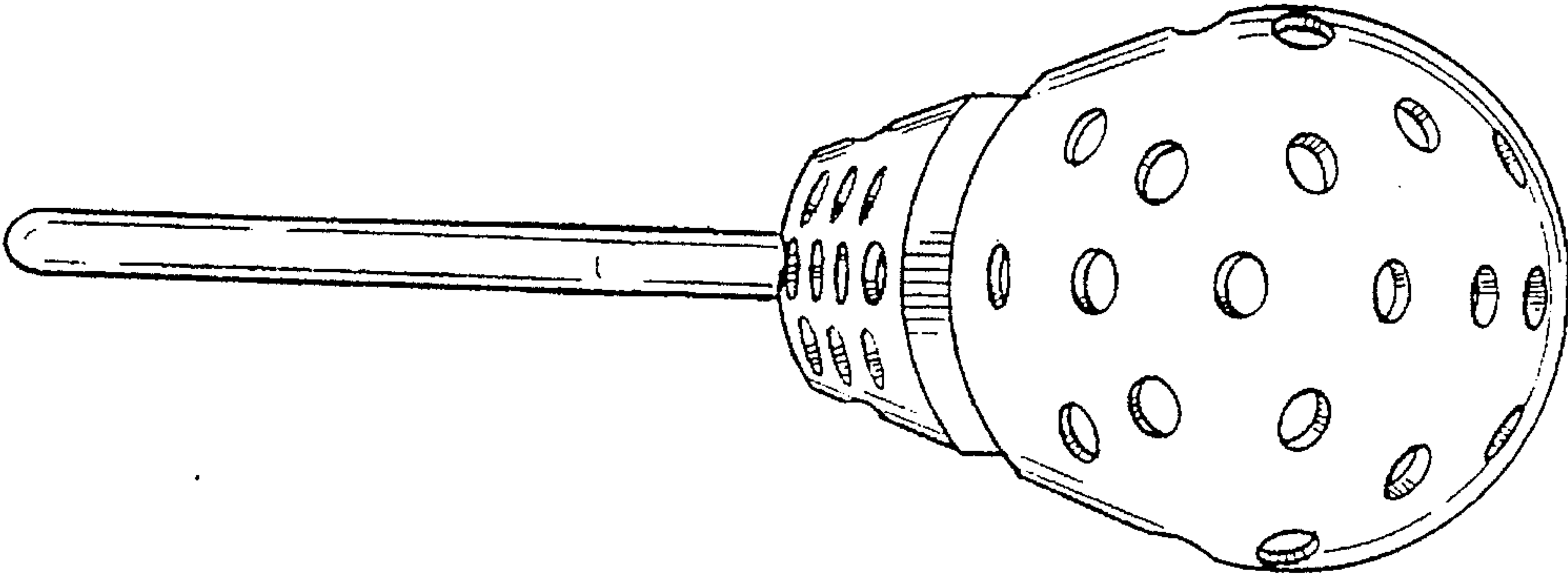


FIG. 2

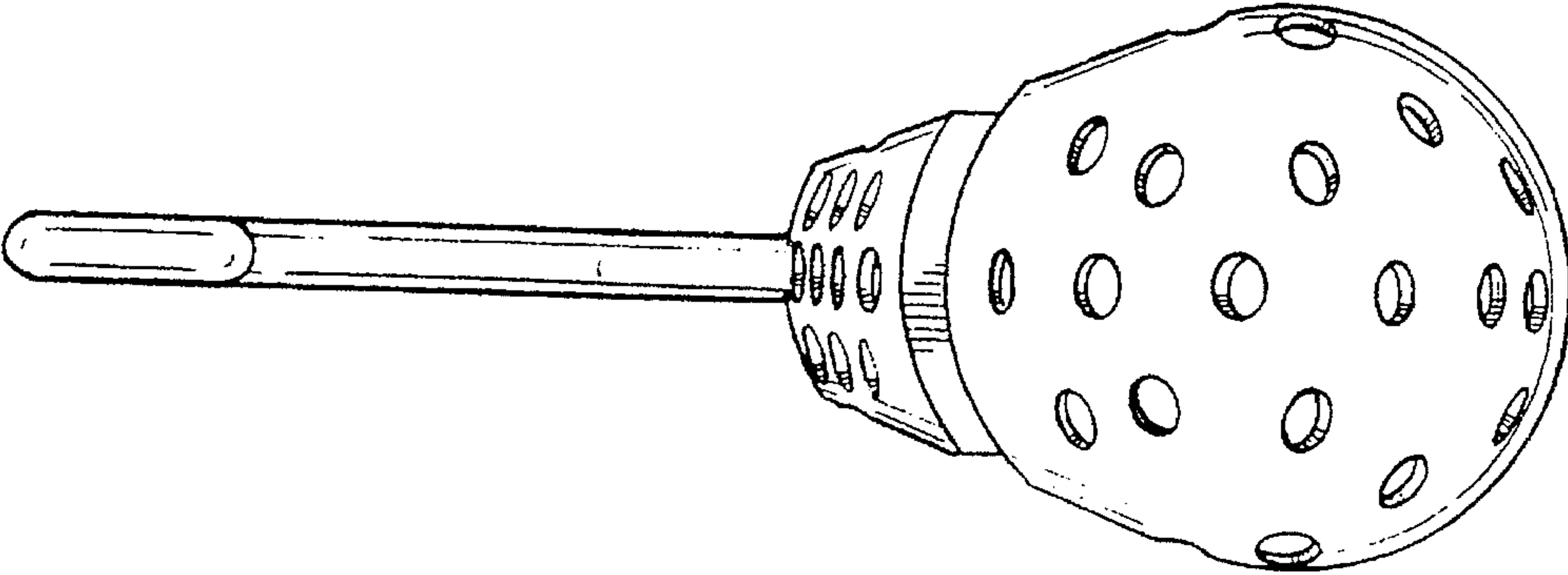


FIG. 3

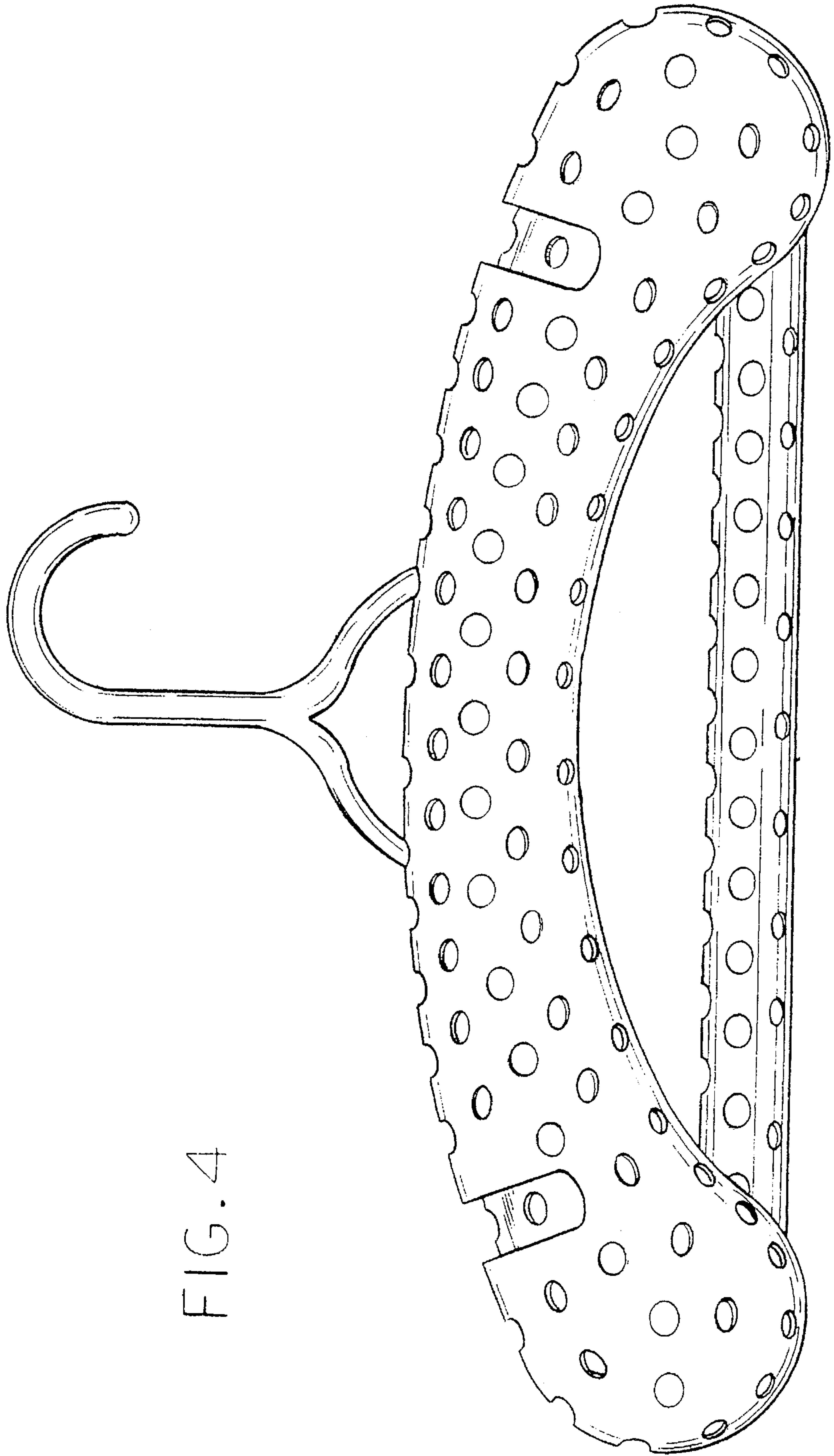


FIG. 4



FIG. 5

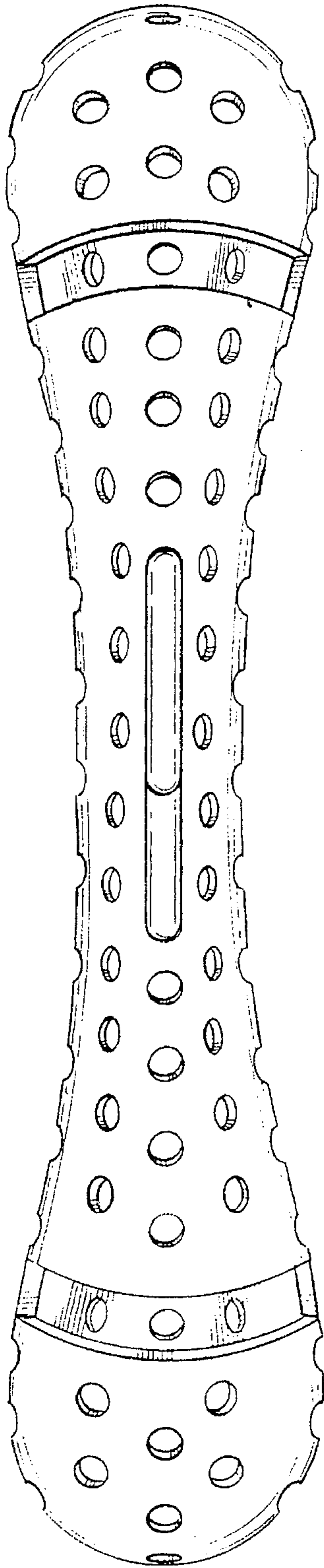


FIG. 6

