



US00D376479S

# United States Patent [19]

Bresler et al.

[11] Patent Number: **Des. 376,479**

[45] Date of Patent: **\*\*Dec. 17, 1996**

[54] **BASTING BRUSH**

[75] Inventors: **Jeff M. Bresler**, St. Louis, Mo.; **Curtis Taylor**, Chagrin Falls, Ohio

[73] Assignee: **Jackes-Evans Manufacturing Company**, St. Louis, Mo.

[\*\*] Term: **14 Years**

[21] Appl. No.: **31,529**

[22] Filed: **Nov. 30, 1994**

[52] U.S. Cl. .... **D4/114; D4/127; D9/338**

[58] Field of Search ..... D4/114, 127, 132, D4/135, 138; D9/337, 338; 15/159.1, 160, 191.1; 401/152, 156, 183, 268, 270, 277-281, 288

[56] **References Cited**

**U.S. PATENT DOCUMENTS**

D. 215,416 9/1969 Posada ..... D4/114  
2,331,672 10/1943 Falkman ..... 401/277 X

2,669,740 2/1954 Main ..... 401/277  
3,029,464 4/1962 Springmeier ..... 401/183  
4,748,990 6/1988 Brown et al. .... 401/288 X

*Primary Examiner*—A. Hugo Word  
*Assistant Examiner*—Lavone D. Tabor  
*Attorney, Agent, or Firm*—Kirkland & Ellis

[57] **CLAIM**

The ornamental design for a basting brush, as shown and described.

**DESCRIPTION**

FIG. 1 is a side elevational view of a basting brush showing our new design, the opposite side being a mirror image thereof;

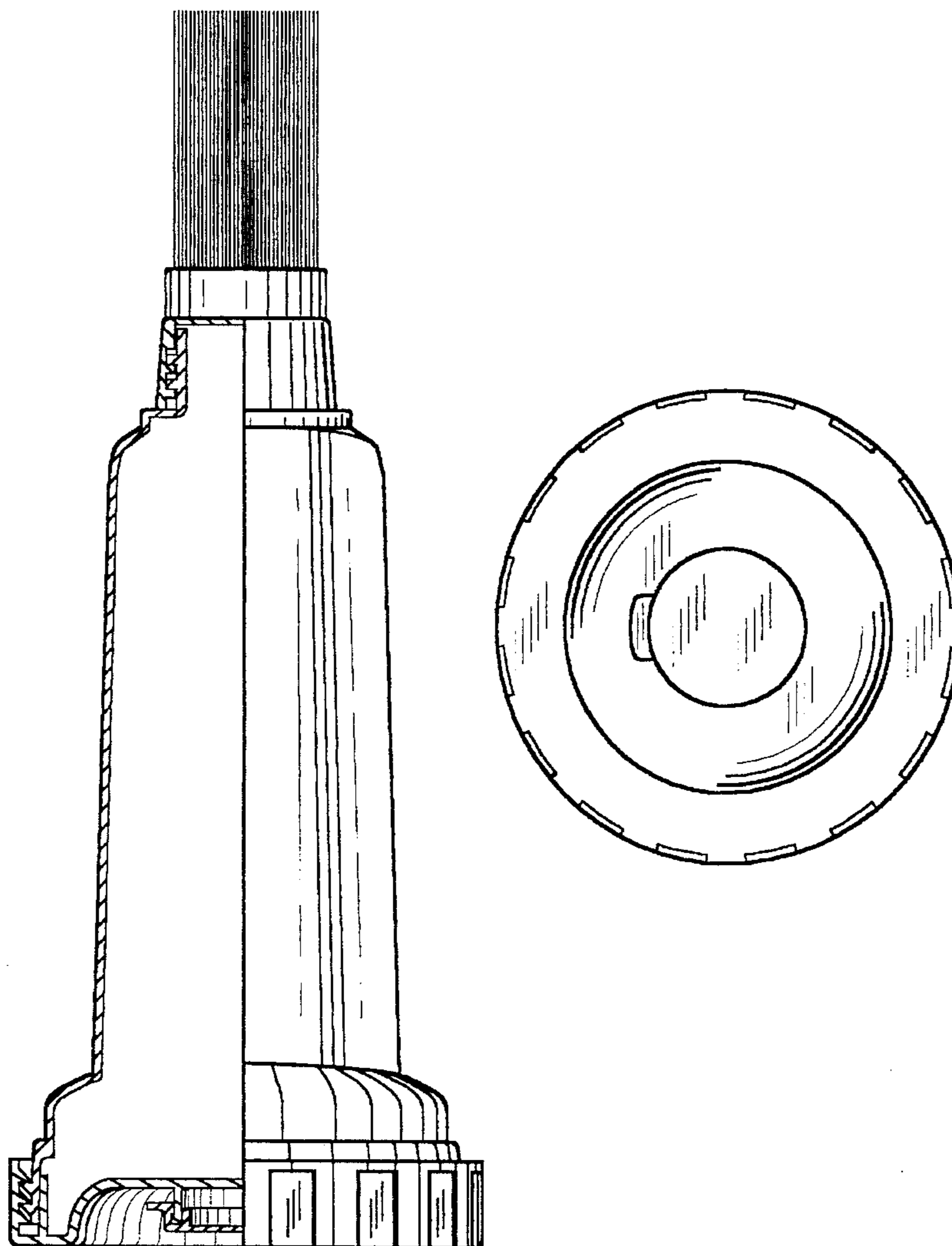
FIG. 2 is a front elevational view thereof, the rear being identical thereto;

FIG. 3 is a partially sectioned front view taken along line 3—3 of FIG. 4;

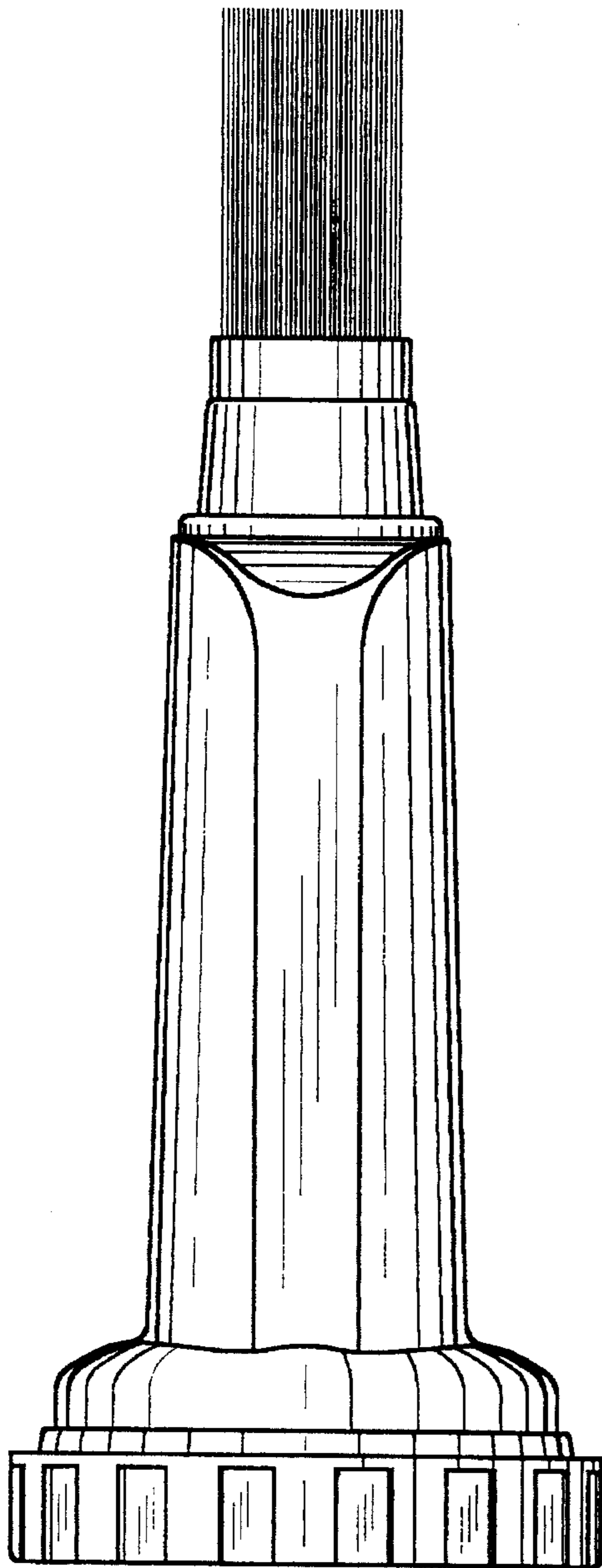
FIG. 4 is a top plan view thereof; and,

FIG. 5 is a bottom plan view thereof.

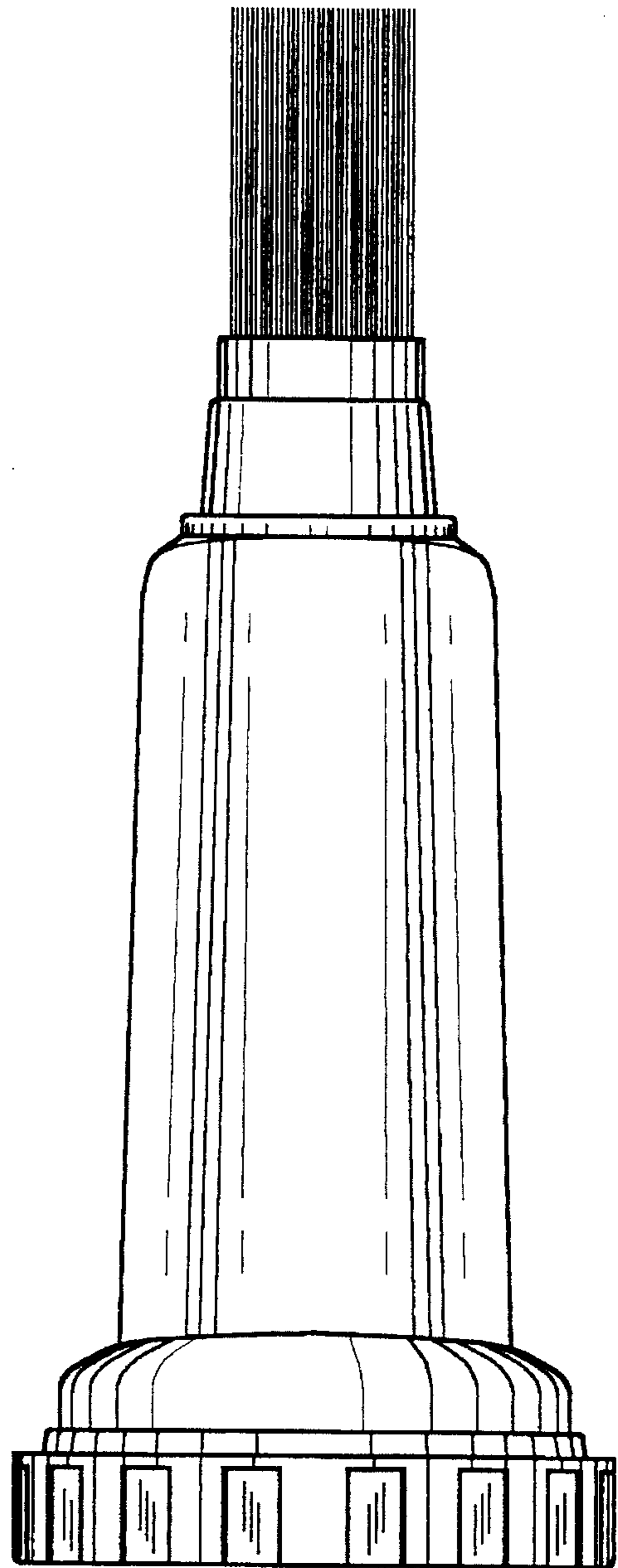
**1 Claim, 2 Drawing Sheets**



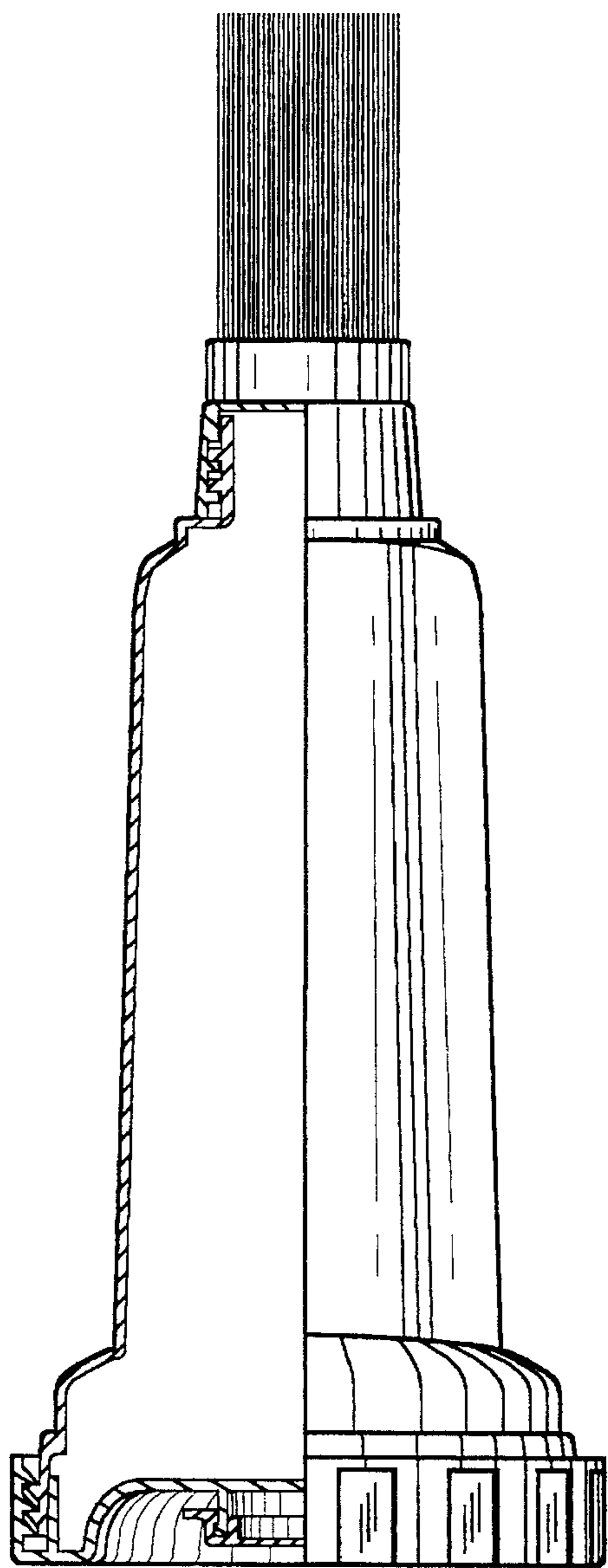
*FIG. 1*



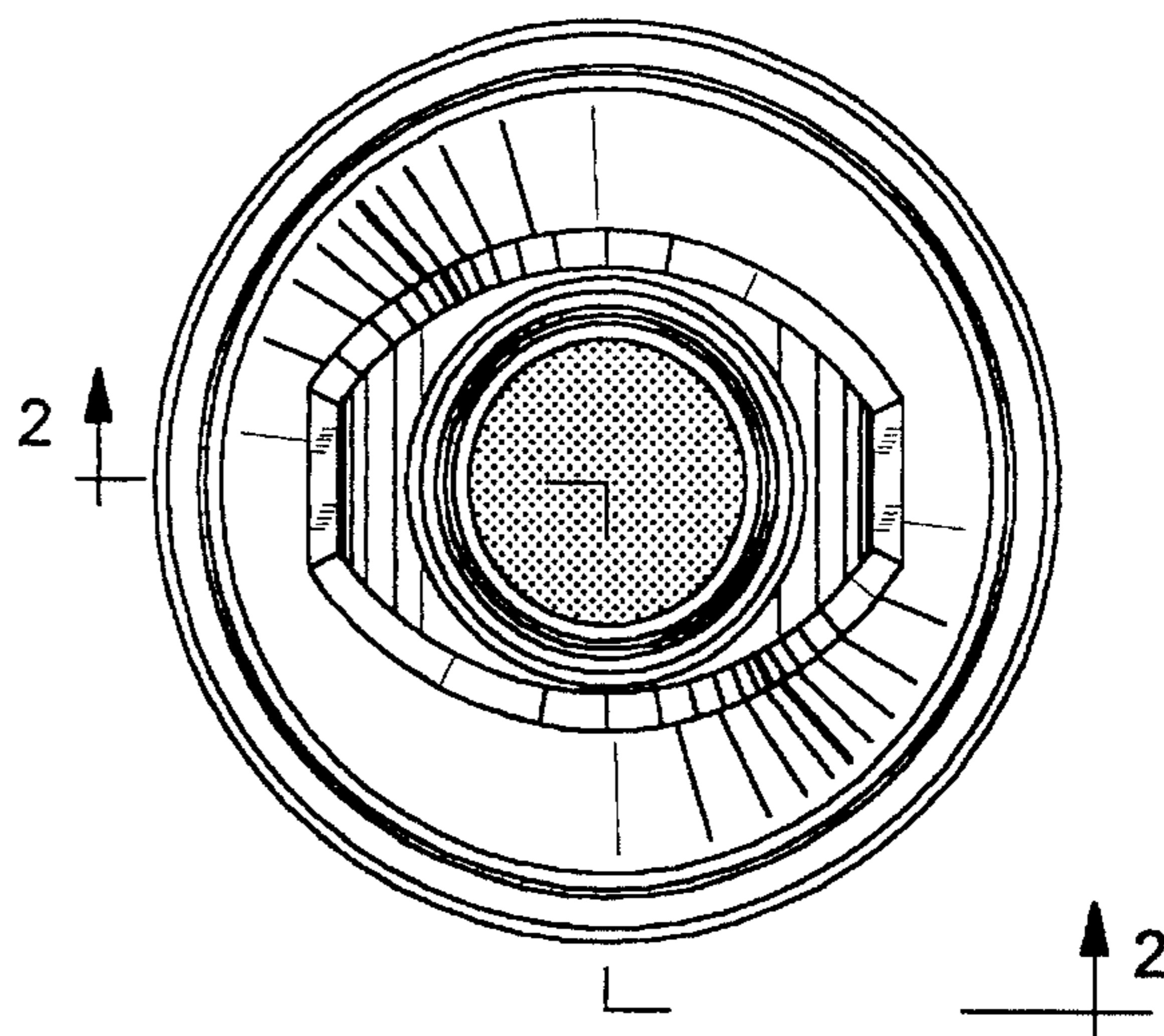
*FIG. 1a*



*FIG. 2*



*FIG. 3*



*FIG. 4*

