



US00D376477S

United States Patent [19]

Patterson, Jr.

[11] Patent Number: **Des. 376,477**

[45] Date of Patent: ****Dec. 17, 1996**

[54] **TOOL BOX**

[76] Inventor: **William F. Patterson, Jr.**, 68 Tower Hill Ave., Red Bank, N.J. 07701

[**] Term: **14 Years**

[21] Appl. No.: **38,574**

[22] Filed: **May 8, 1995**

[52] U.S. Cl. **D3/304; D3/307**

[58] Field of Search D3/304, 307, 309, D3/310, 315; D6/400; D8/71; D15/140; 206/372, 561, 565; 211/70.1, 70.6, 169, 88; 224/218

[56] **References Cited**

U.S. PATENT DOCUMENTS

D. 152,167	12/1948	Montague	D3/905
D. 168,277	11/1952	Roberts	D3/905
D. 235,488	6/1975	Swalm	D3/905
D. 238,112	12/1975	Nowak	D3/905
D. 364,039	11/1995	Kruger	D3/315
3,887,103	6/1975	Spooner	211/70.6
4,058,210	11/1977	Mitchell	D3/905 X
4,122,944	10/1978	DeNapoli	D3/905 X

4,285,556	8/1981	Loeffel	D3/905
4,311,262	1/1982	Morin	211/70.1
5,242,050	9/1993	Billings	206/372

Primary Examiner—B. J. Bullock
Assistant Examiner—Robert M. Spear
Attorney, Agent, or Firm—Nicholas J. Skariatos

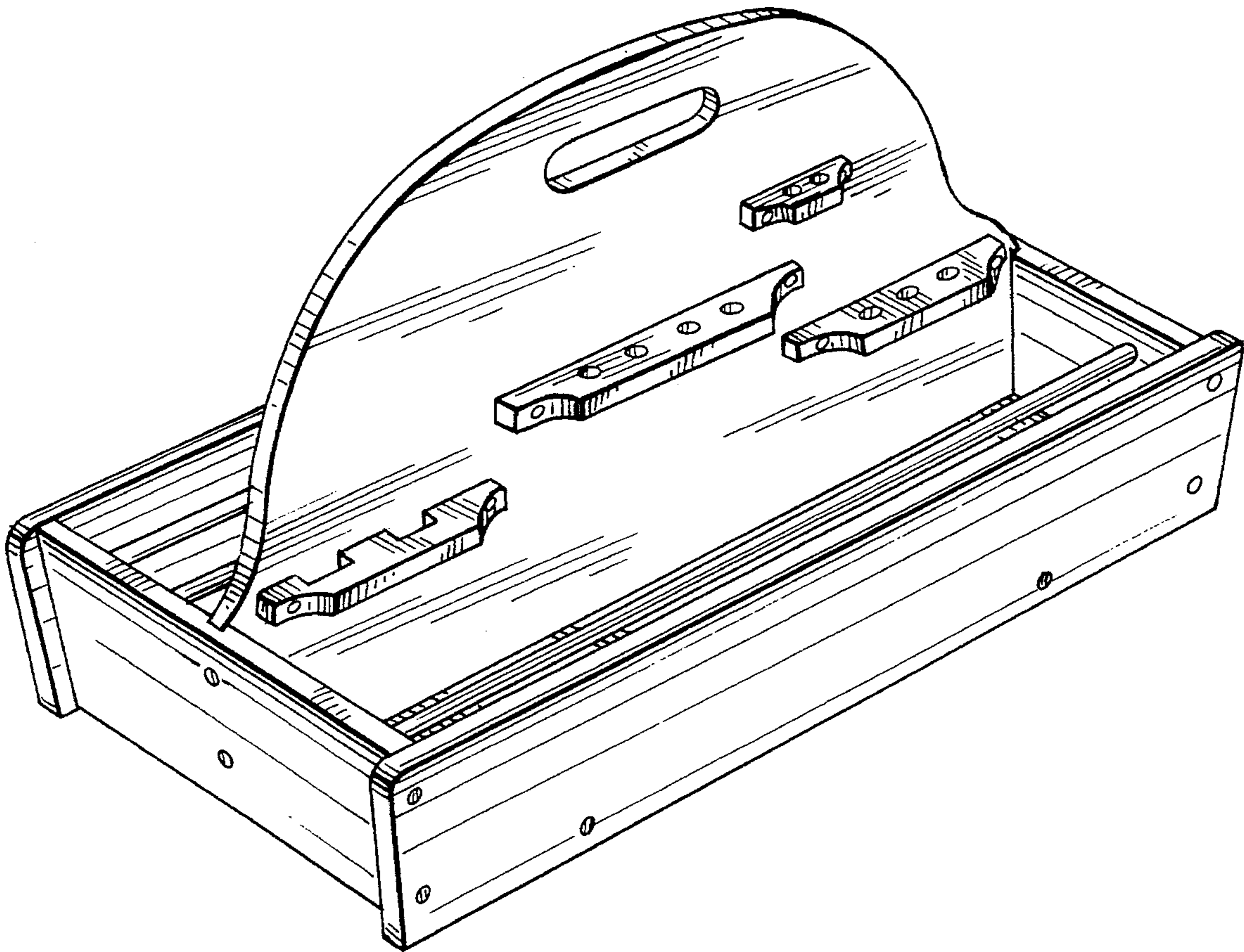
[57] **CLAIM**

The ornamental design for a tool box, as shown and described.

DESCRIPTION

FIG. 1 is an elevated perspective view of the front and left sides of the tool box;
FIG. 2 is a front elevational view of the tool box;
FIG. 3 is a top plan view of the tool box;
FIG. 4 is a left side view of the tool box;
FIG. 5 is a right side view of the tool box;
FIG. 6 is a rear elevational view of the tool box; and,
FIG. 7 is a bottom plan view of the tool box.
FIGS. 2-7 are shown at an enlarged scale for ease of disclosure.

1 Claim, 4 Drawing Sheets



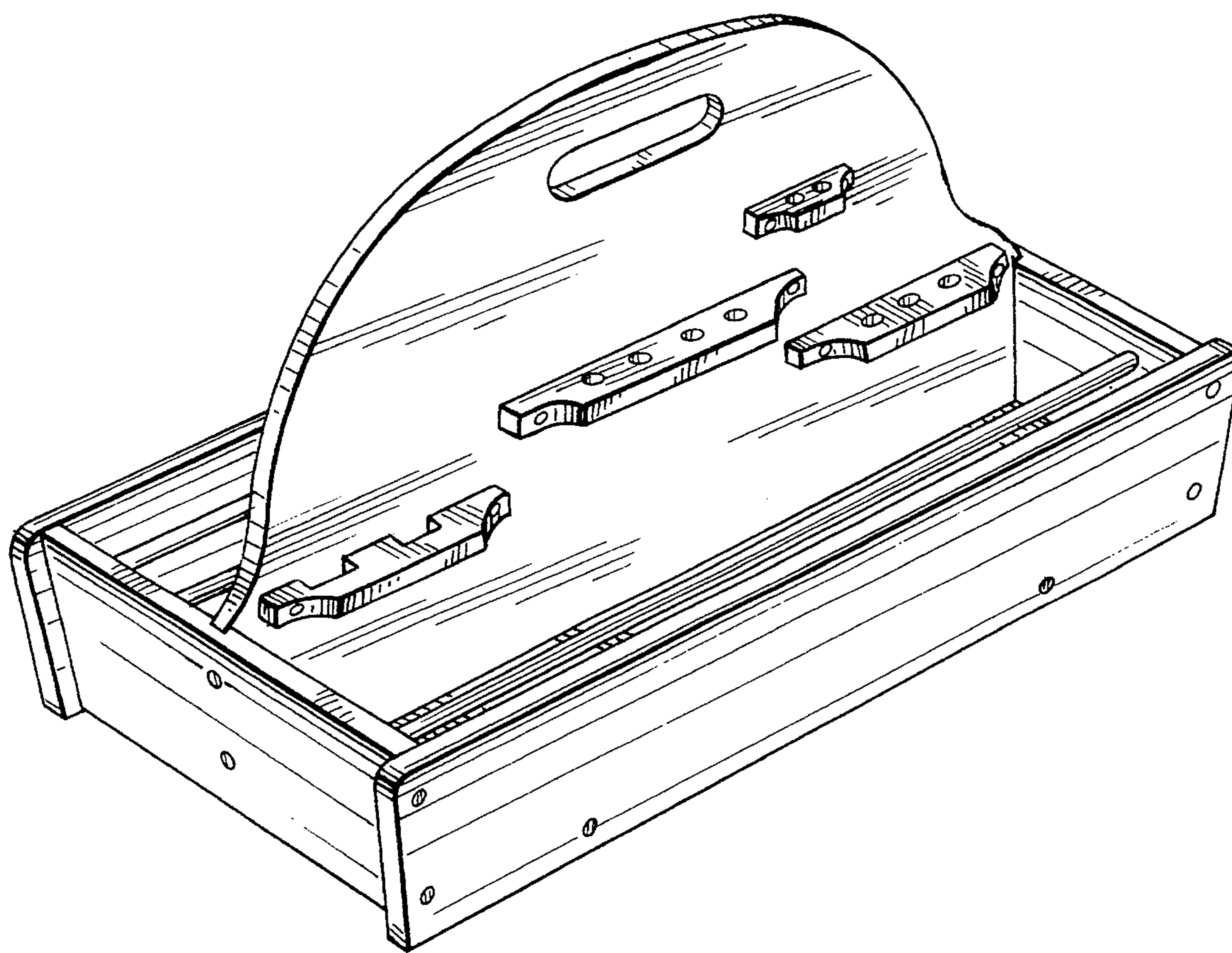


FIG. 1

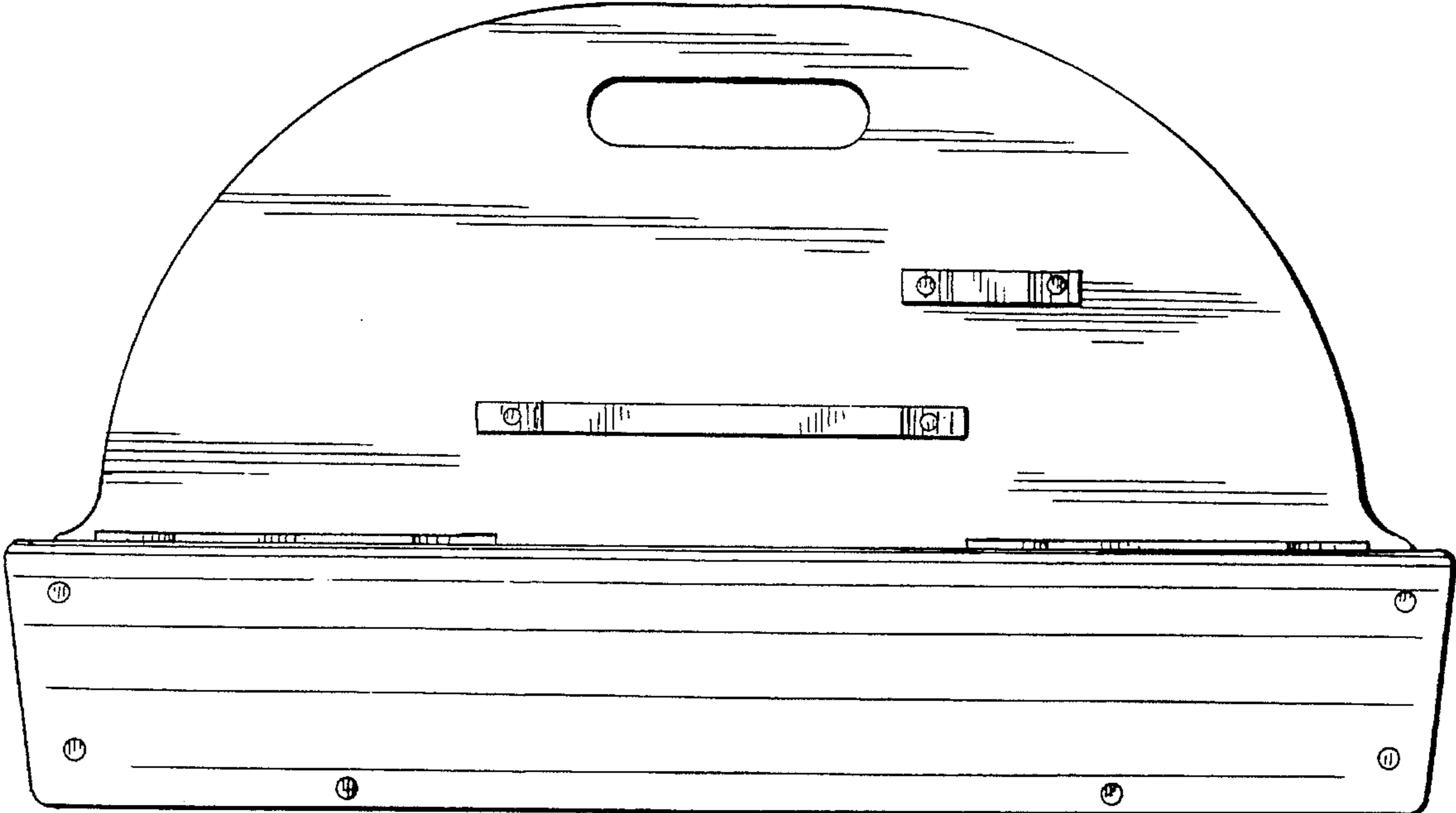


FIG. 2

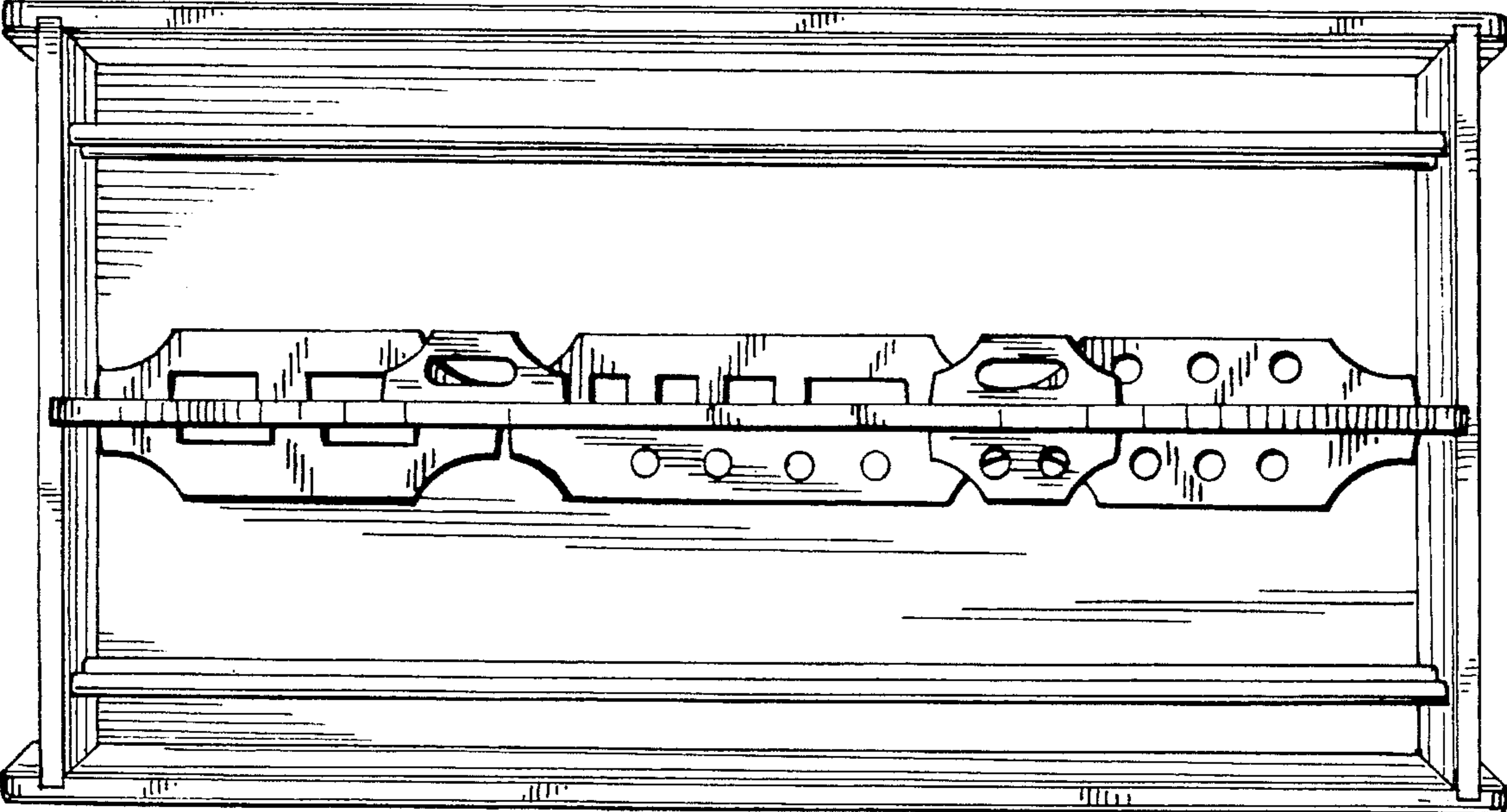


FIG. 3

FIG. 4

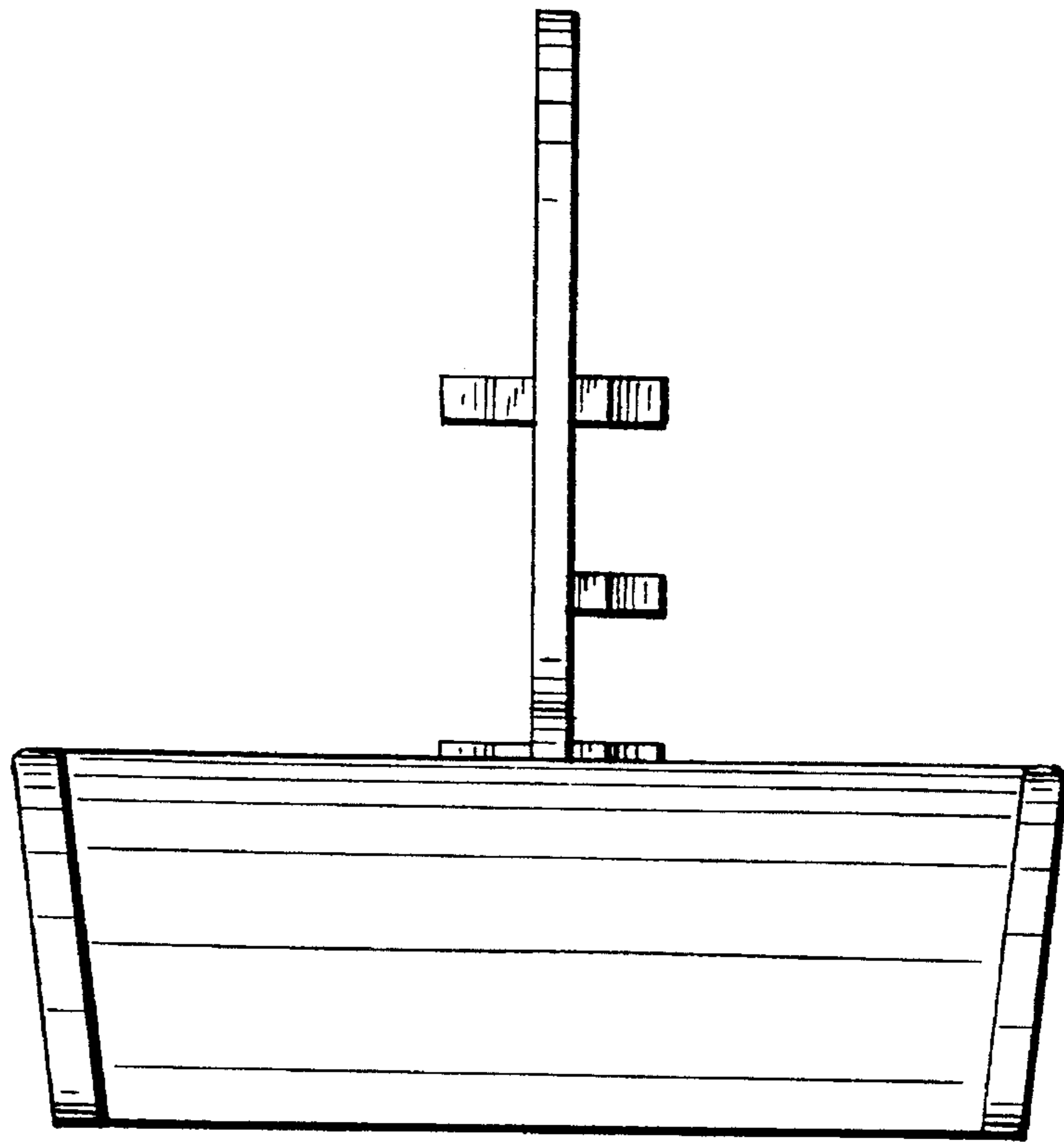
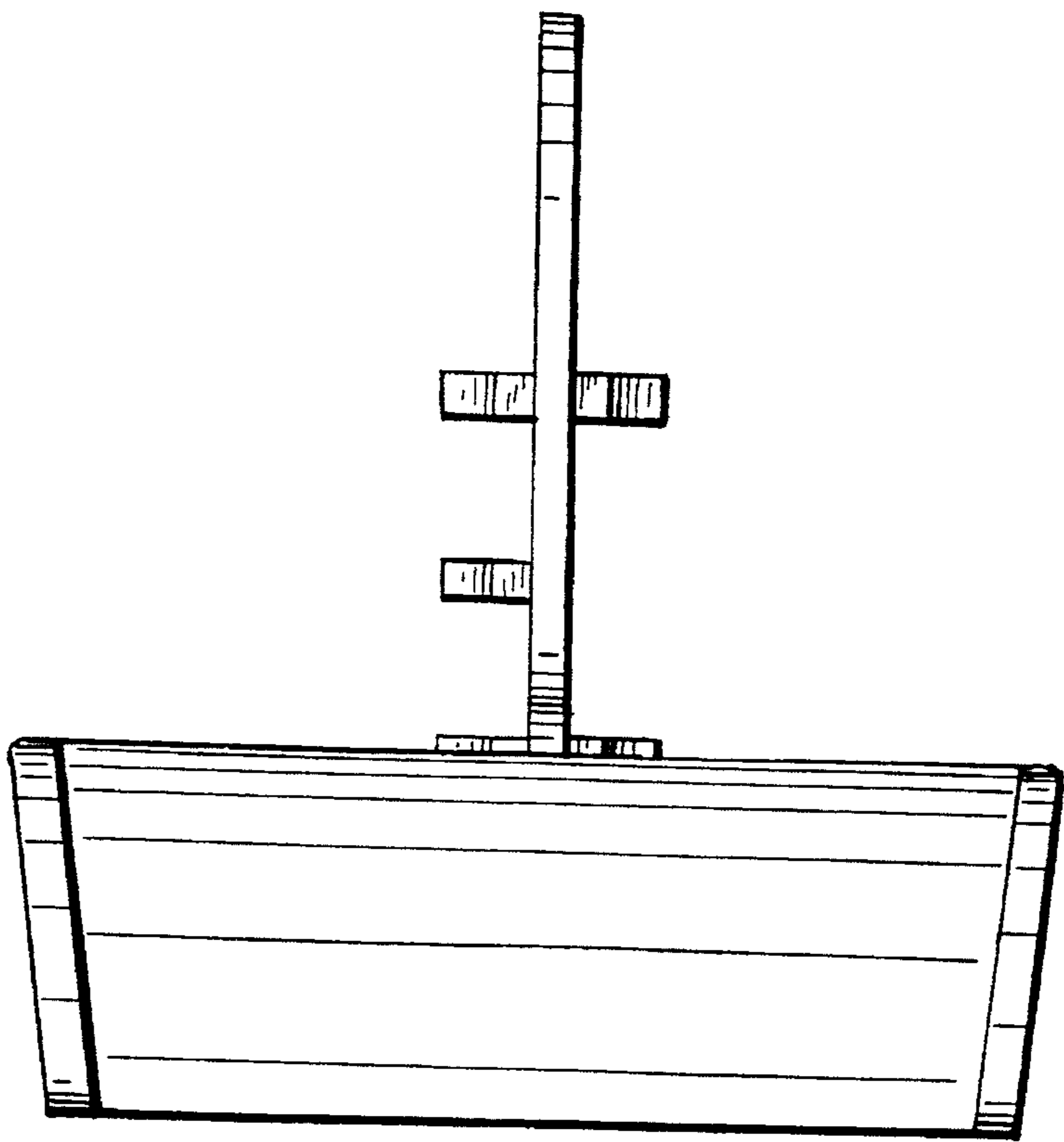


FIG. 5



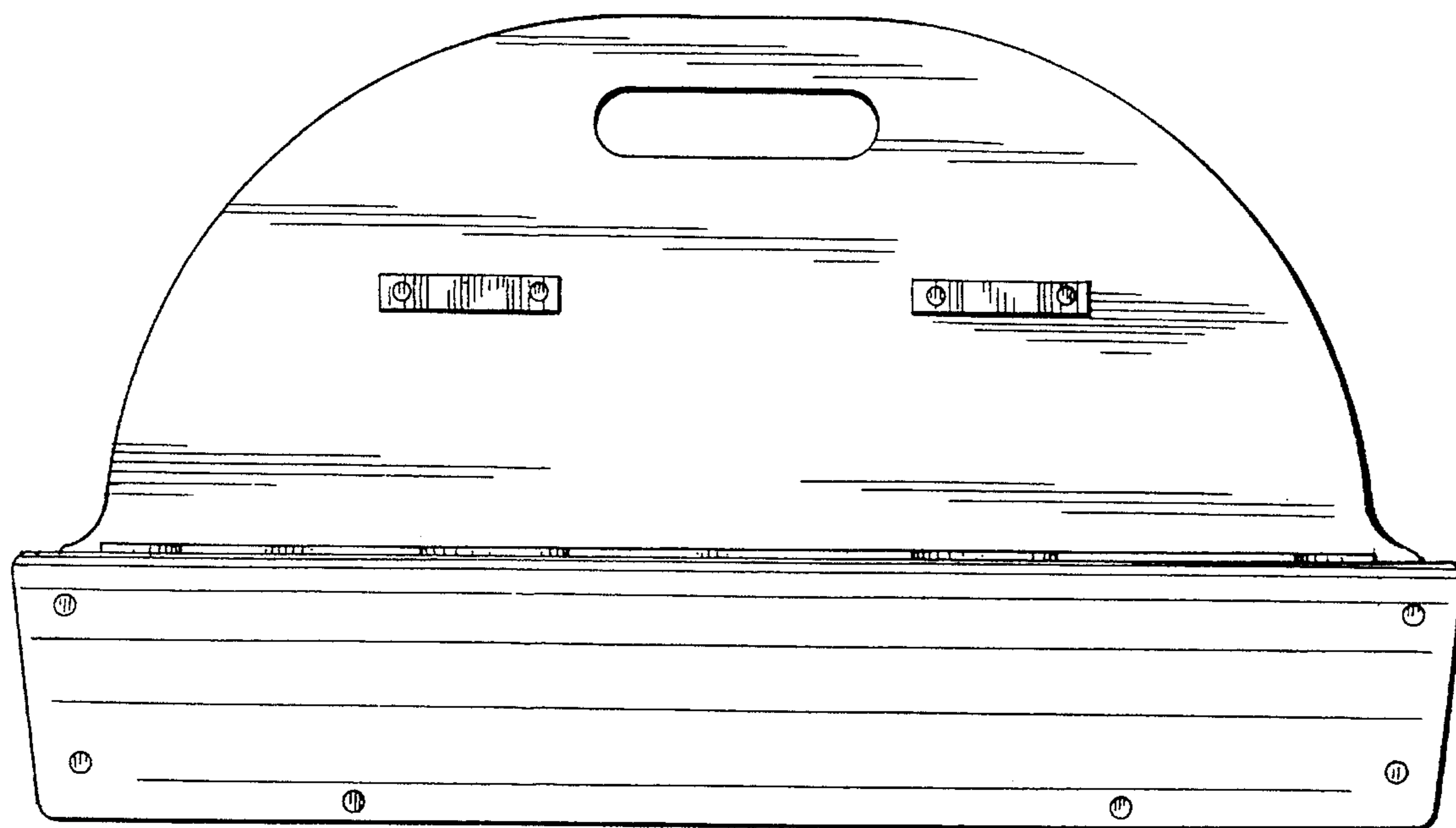


FIG. 6

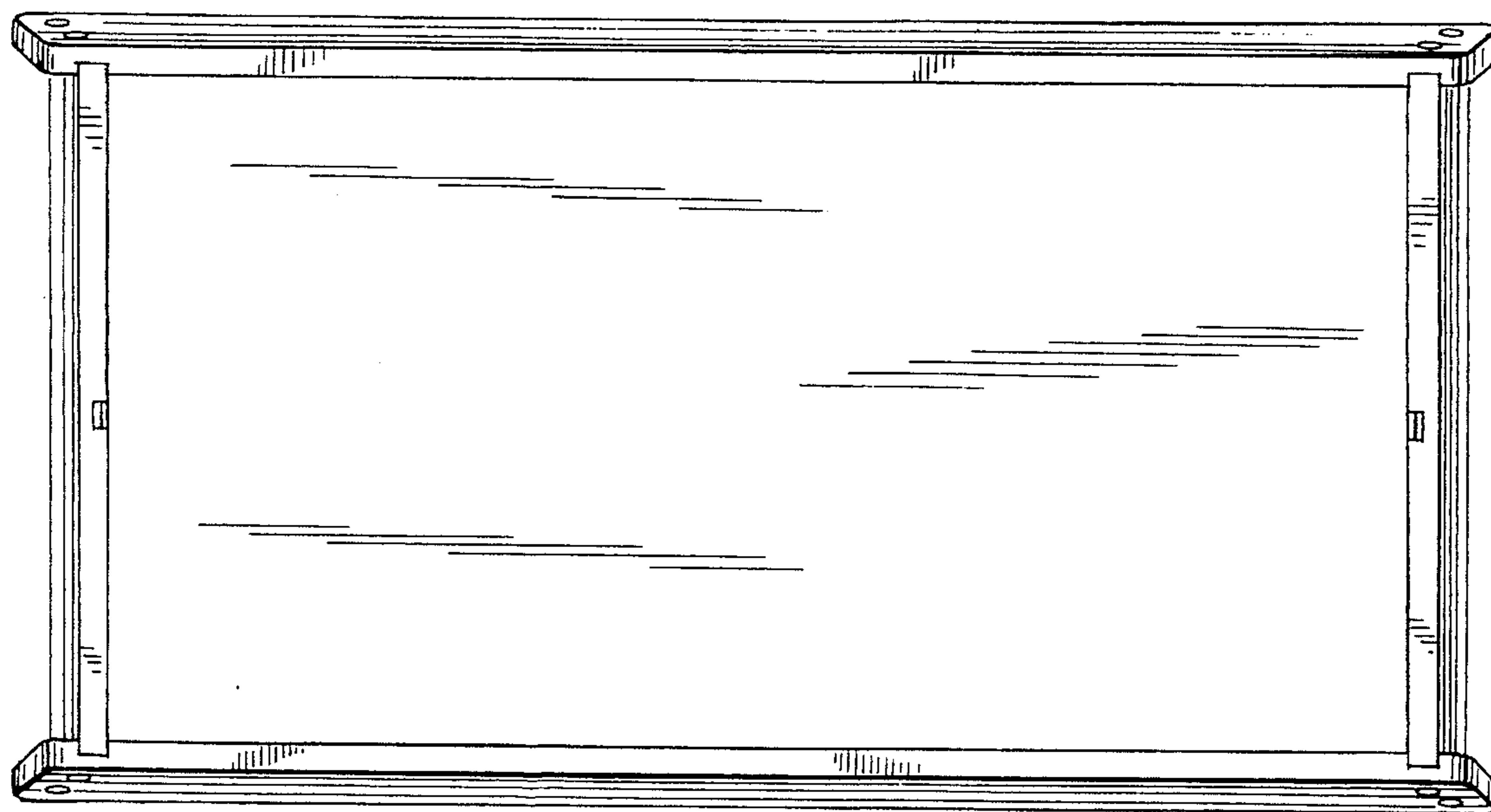


FIG. 7