



US00D376476S

United States Patent [19]

[11] Patent Number: **Des. 376,476**

Tepen et al.

[45] Date of Patent: ****Dec. 17, 1996**

[54] **PORTABLE EARRING HOLDER**

4,821,883 4/1989 Miller 206/495
5,035,319 7/1991 Kunisch 206/6.1

[76] Inventors: **Judith A. Tepen**, R.R. 3, Box 119;
Janet M. Orf, R.R. 3, Box 222, both of
Bowling Green, Mo. 63334

Primary Examiner—Philip S. Hyder
Attorney, Agent, or Firm—Klaas, Law, O’Meara & Malkin,
P.C.

[**] Term: **14 Years**

[57] CLAIM

[21] Appl. No.: **35,231**

The ornamental design for a portable earring holder, as shown and described.

[22] Filed: **Feb. 16, 1995**

[52] U.S. Cl. **D3/294**; D3/903; D9/423

DESCRIPTION

[58] Field of Search D3/290, 294, 903,
D3/270; D9/420, 423, 433; 206/387, 45.23,
349, 350, 351, 444, 541

FIG. 1 is a perspective view of a portable earring holder showing our new design;

[56] References Cited

U.S. PATENT DOCUMENTS

D. 244,669	6/1977	Shiffman	D9/423
D. 244,833	6/1977	Persson	D9/423
D. 265,865	8/1982	Stephens et al.	D3/903
D. 270,786	10/1983	Handy et al.	D3/903
D. 274,408	6/1984	Fernandez	D9/423
D. 275,530	9/1984	Duckworth	D3/75
D. 321,284	11/1991	Marsella et al.	D3/75
D. 327,982	7/1992	Williams	D3/903
D. 336,989	7/1993	Rentz	D9/423
4,420,084	12/1983	Whelan	206/566
4,606,458	8/1986	LaBate	206/566

FIG. 2 is a perspective view thereof, shown in a closed position;

FIG. 3 is a front elevational view thereof, shown in an open position;

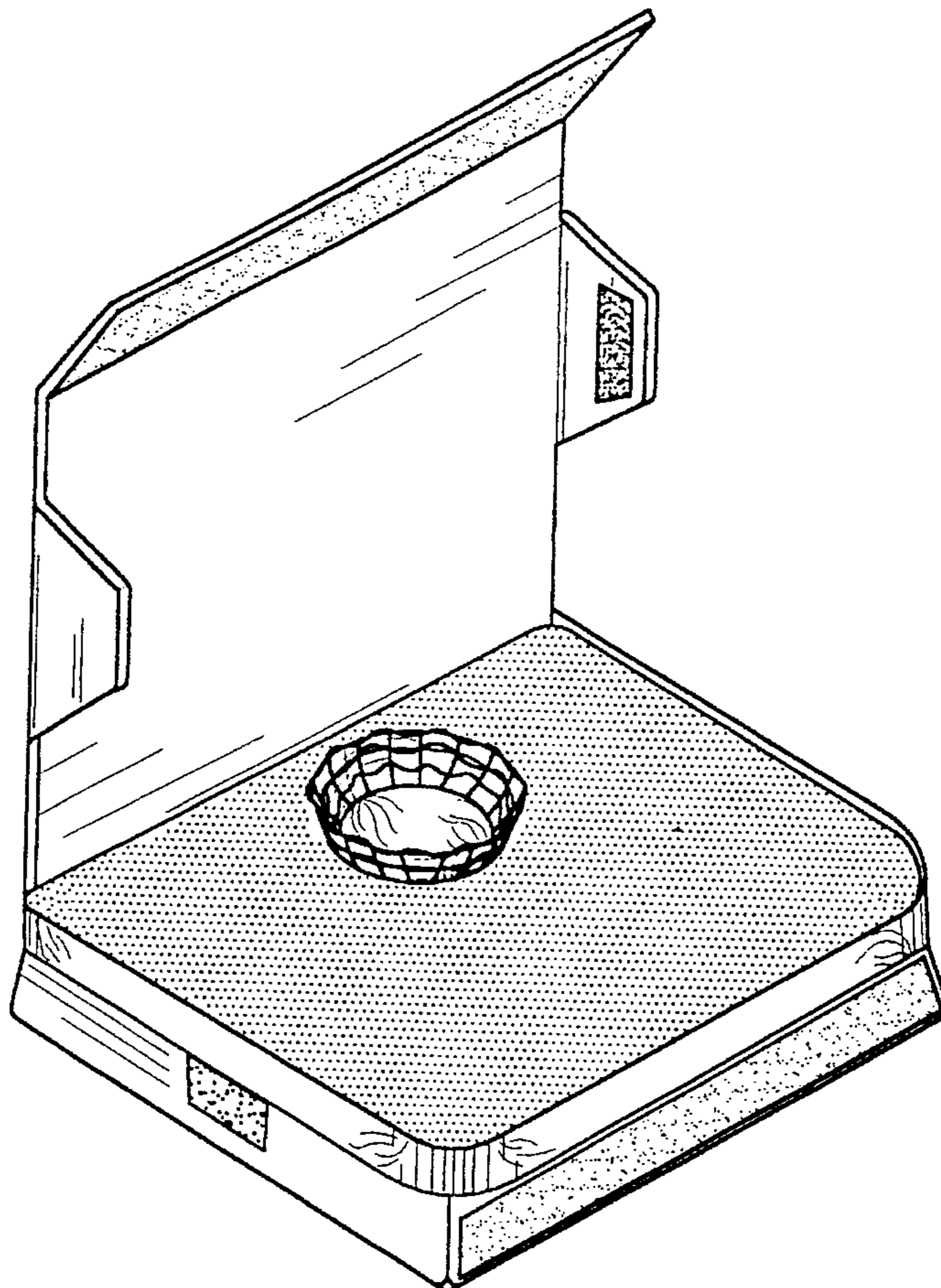
FIG. 4 is a front elevational view thereof, shown in a closed position;

FIG. 5 is a rear elevational view thereof, shown in a closed position;

FIG. 6 is a side elevational view thereof, shown in an open position; and,

FIG. 7 is a side elevational view thereof, shown in a closed position.

1 Claim, 2 Drawing Sheets



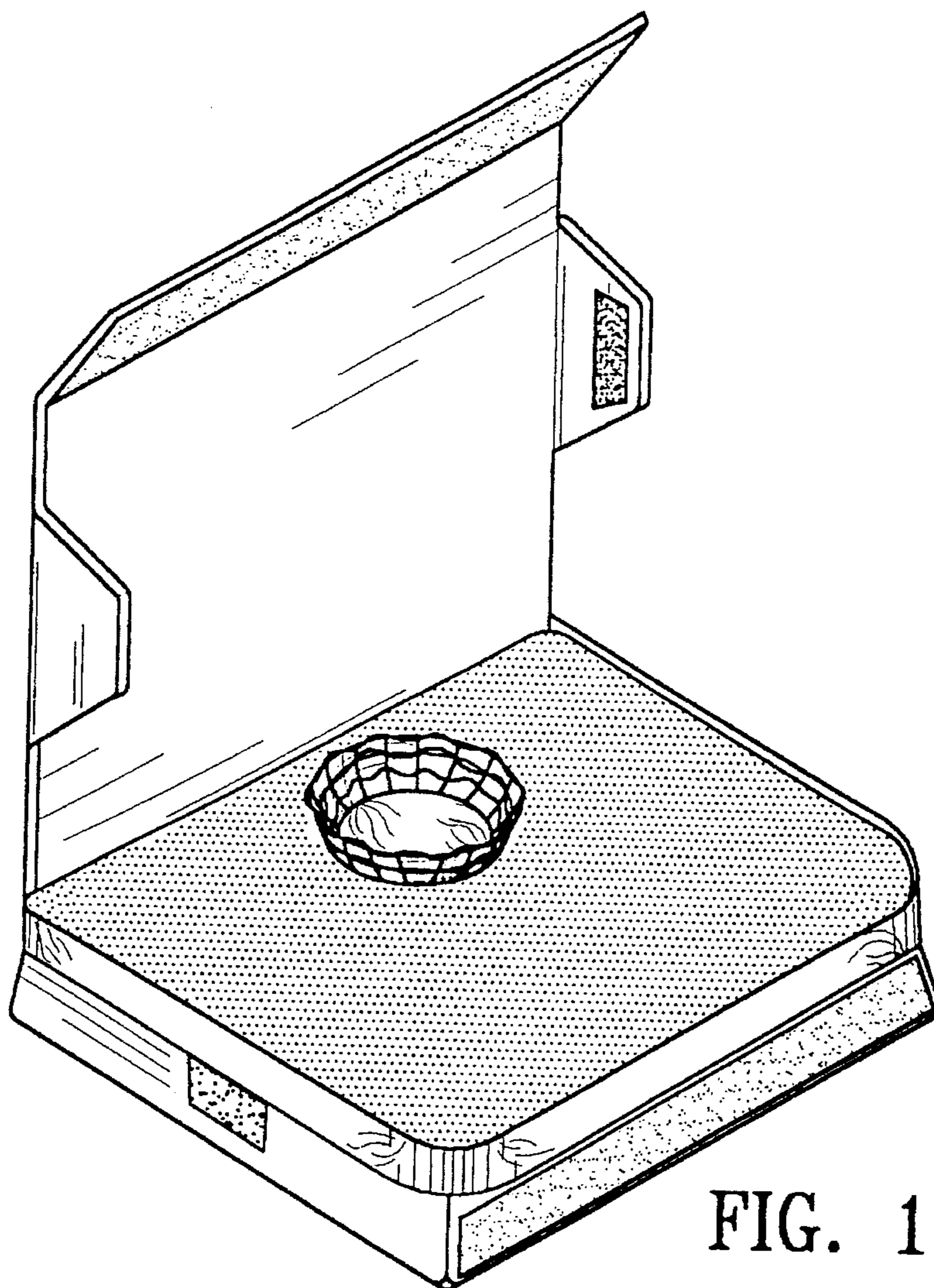


FIG. 1

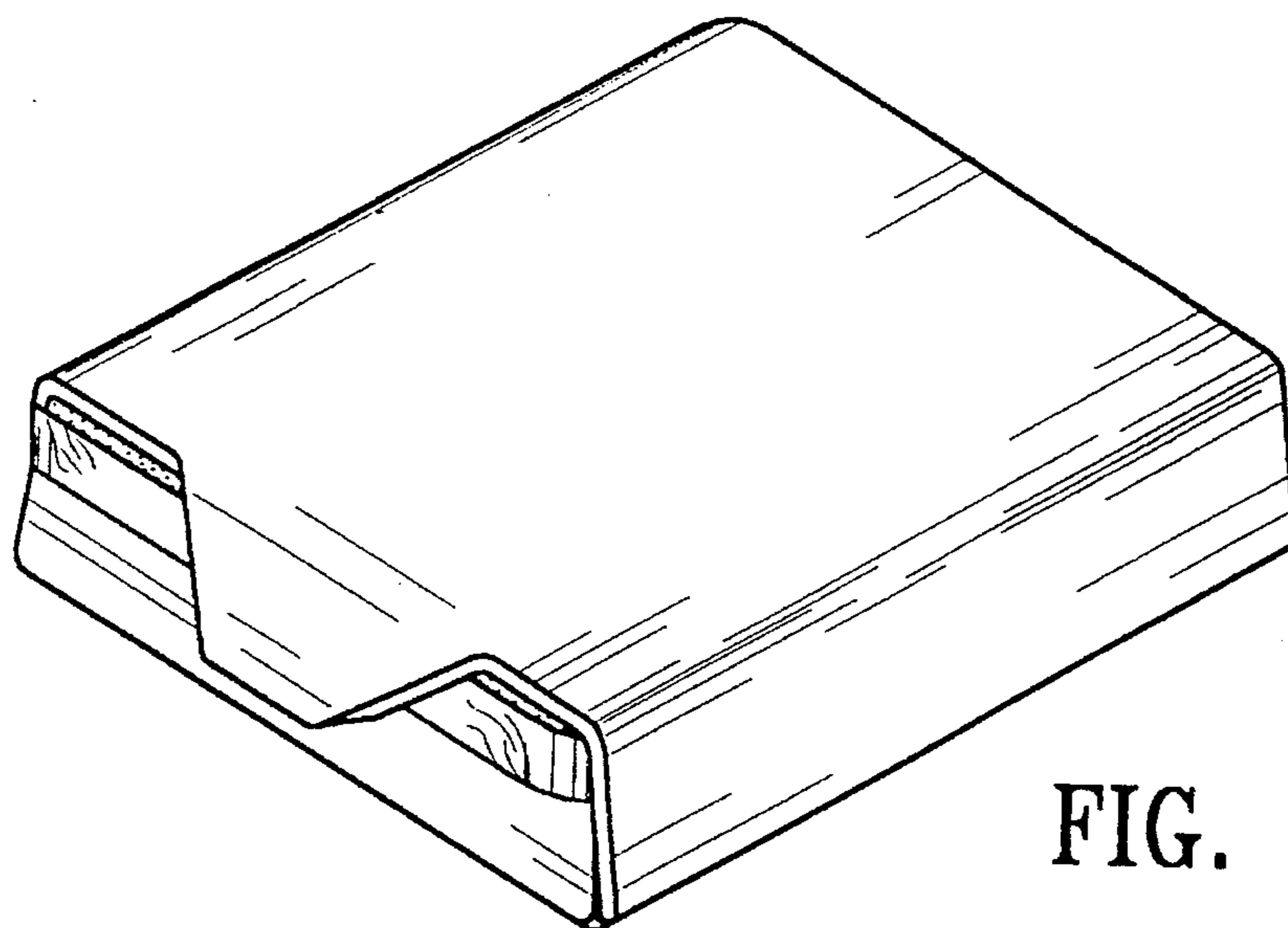


FIG. 2

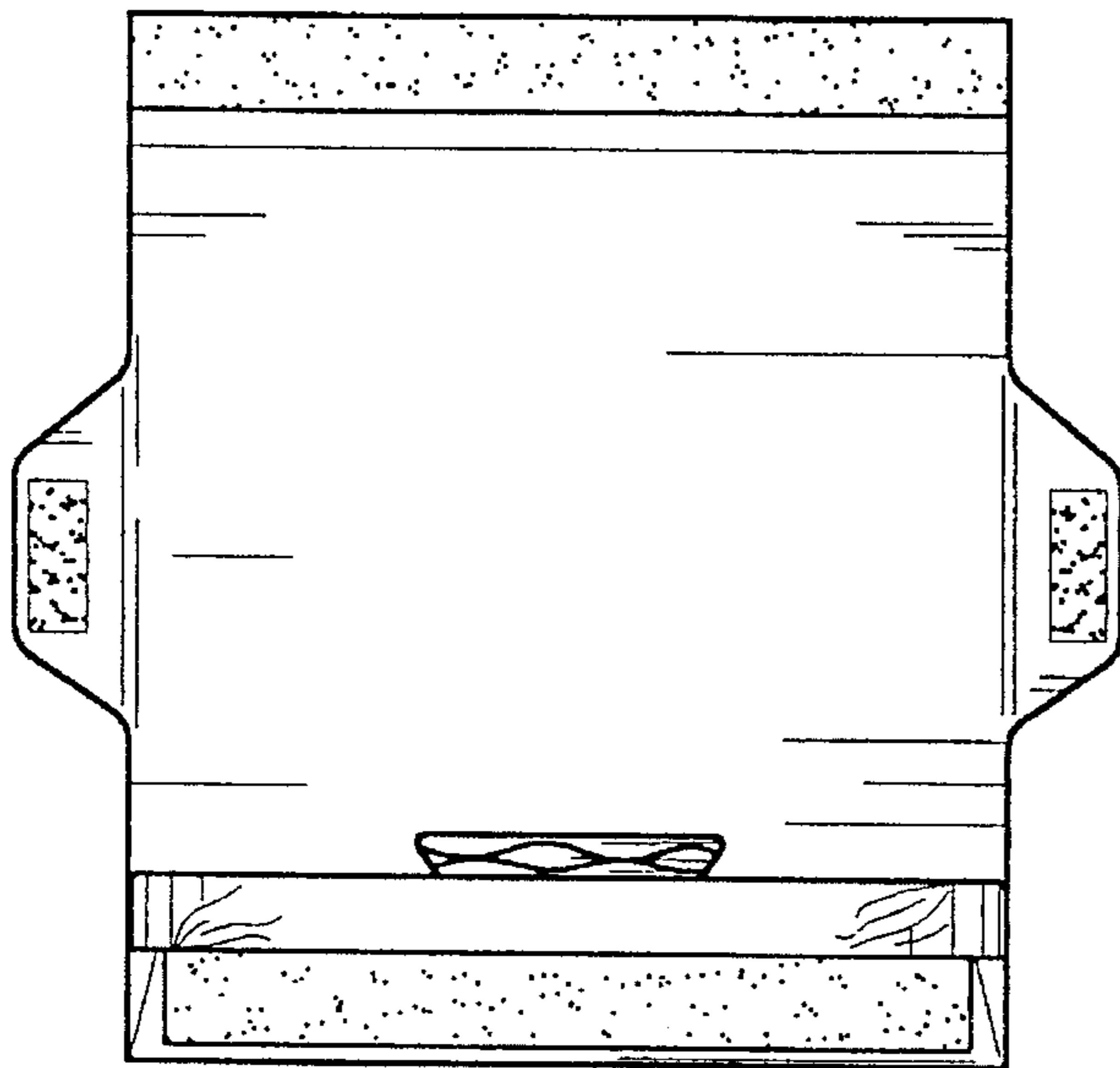


FIG. 3

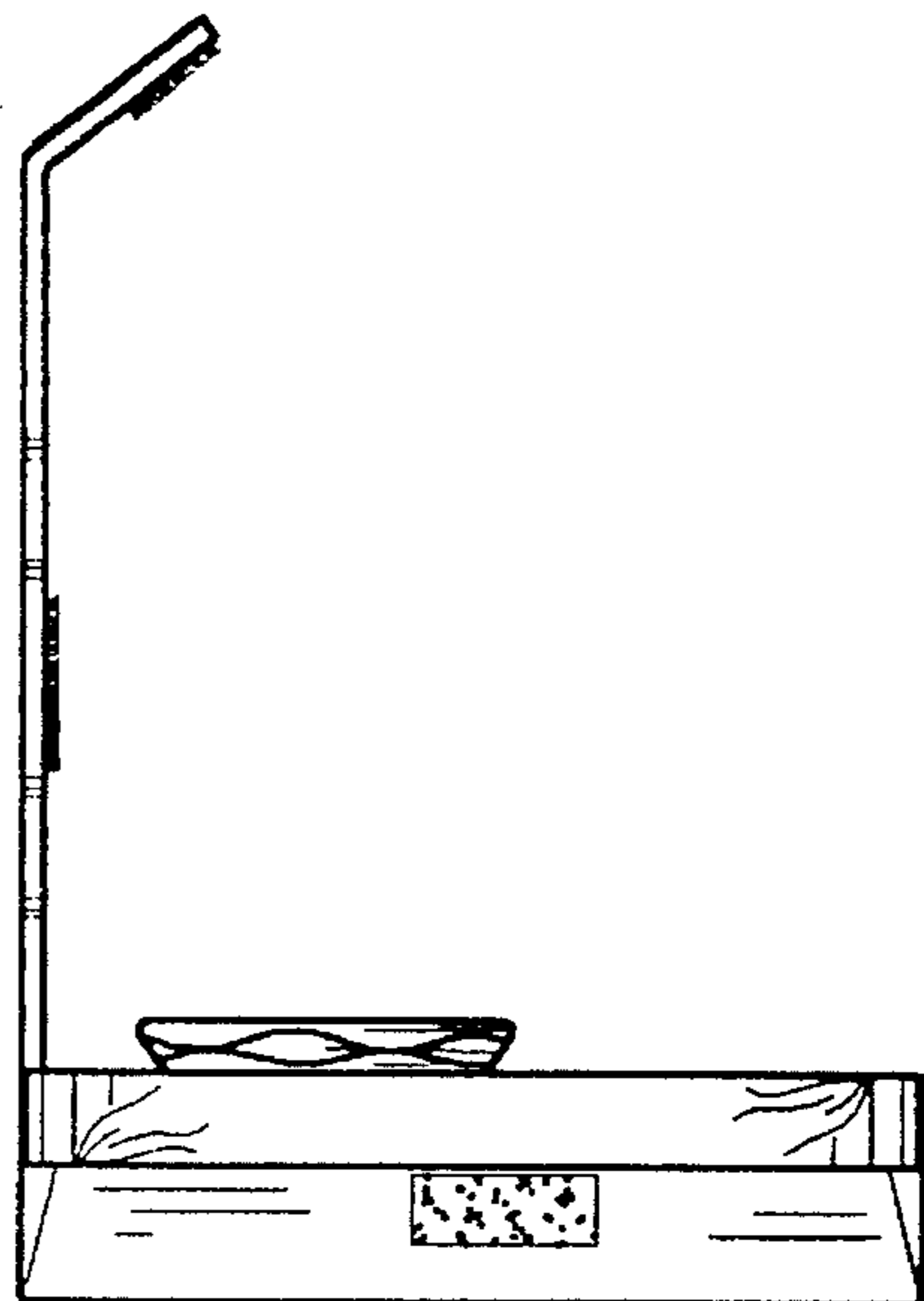


FIG. 6

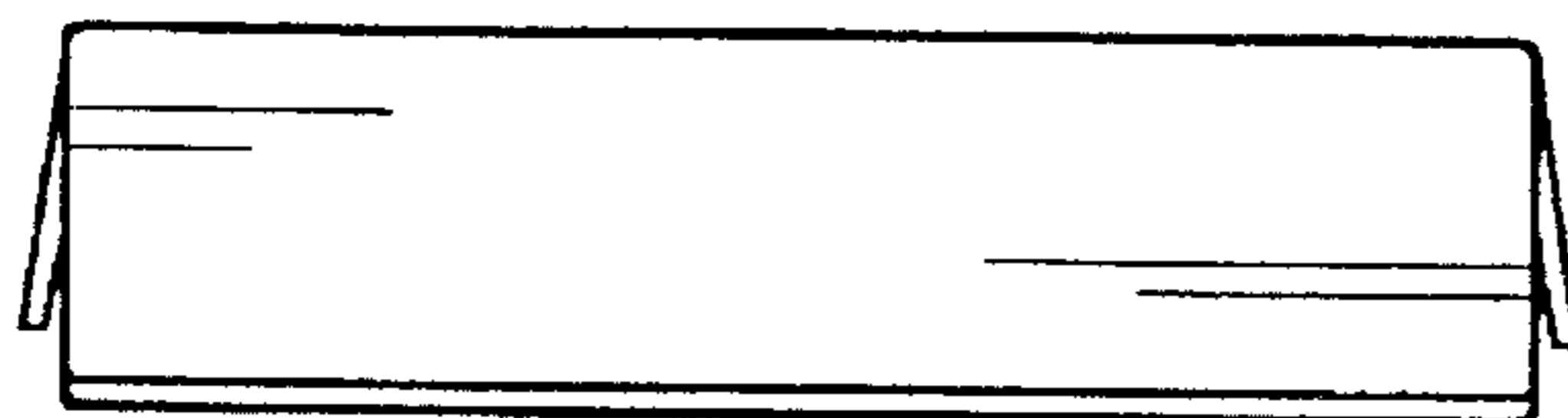


FIG. 4

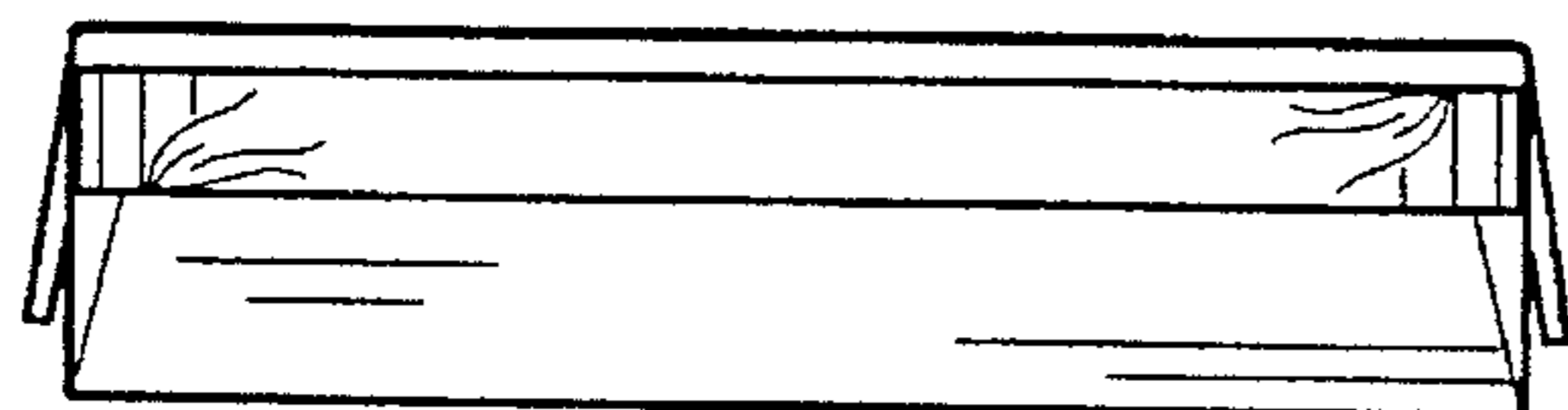


FIG. 5

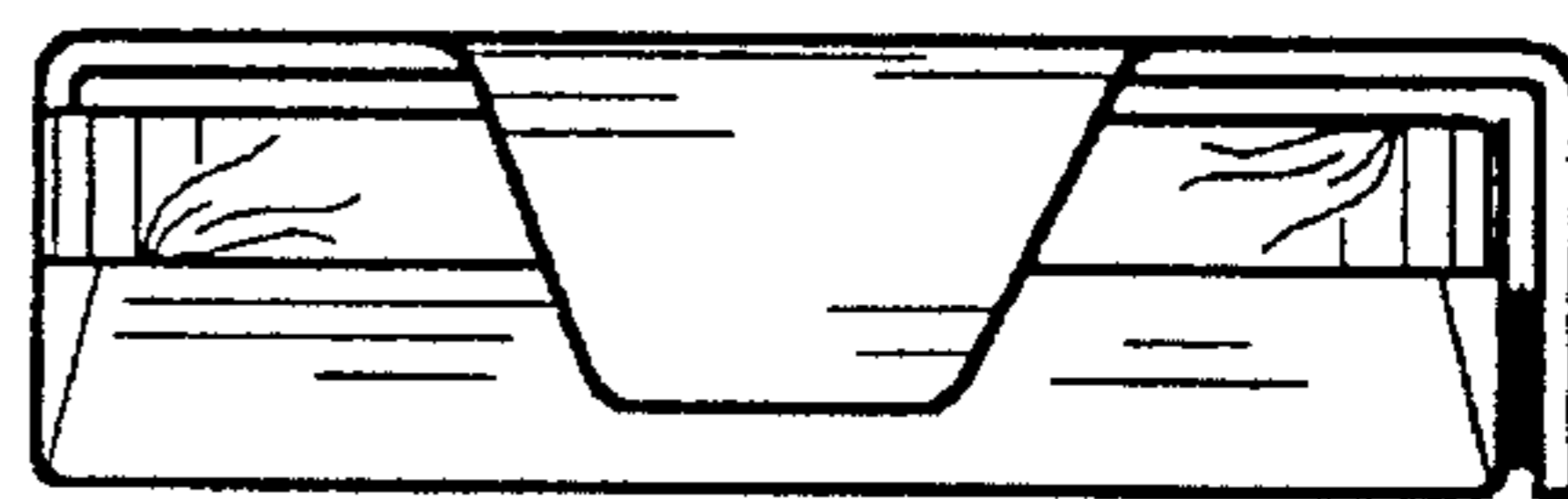


FIG. 7