



US00D376475S

# United States Patent [19]

[11] Patent Number: **Des. 376,475**

**Simons**

[45] Date of Patent: **\*\*Dec. 17, 1996**

[54] **EMERGENCY KIT FOR VEHICLES**

[76] Inventor: **Gregory D. Simons**, P.O. Box 633,  
Oysterville, Wash. 98641

[\*\*] Term: **14 Years**

[21] Appl. No.: **40,104**

[22] Filed: **Jun. 9, 1995**

[52] U.S. Cl. .... **D3/284; D3/295**

[58] Field of Search ..... **D3/295, 294, 901,  
D3/903, 905, 283, 284; 206/570, 573, 572;  
312/244**

[56] **References Cited**

**U.S. PATENT DOCUMENTS**

D. 194,652	2/1963	Robbins .....	D3/291
D. 281,836	12/1985	Sparkman .....	D3/905
D. 313,505	1/1991	Leopoldi et al. ....	D3/295
D. 336,155	6/1993	Williams .....	D3/291
D. 341,027	11/1993	Godden et al. ....	D3/274
D. 343,993	2/1994	Derrickson .....	D3/291
D. 357,116	4/1995	Lancaster .....	D3/276
3,371,771	3/1968	Bugyi .	

3,408,126	10/1968	Mortensen .....	312/244
3,653,567	4/1972	Selvaggio .....	206/573
3,741,382	6/1973	Larimer, Sr. ....	206/573
4,471,873	9/1984	Thomas .....	206/573
5,011,020	4/1991	Stevens et al. ....	206/570
5,156,274	10/1992	Williams, Jr. et al. ....	206/573

*Primary Examiner*—Philip S. Hyder  
*Attorney, Agent, or Firm*—Dennis H. Lambert

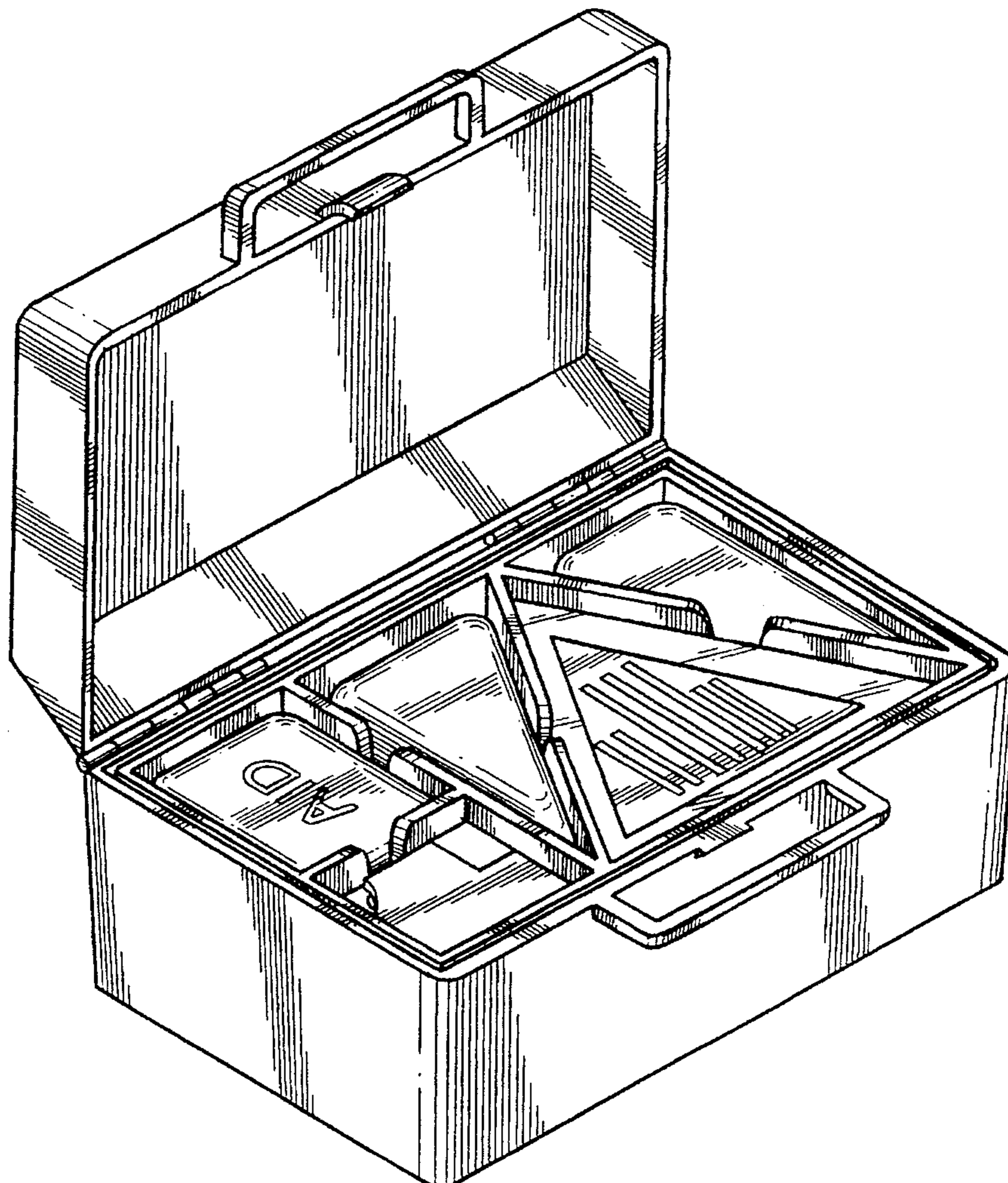
[57] **CLAIM**

The ornamental design for an emergency kit for vehicles, as shown and described.

**DESCRIPTION**

FIG. 1 is a front, top and side perspective view of an emergency kit for vehicles embodying my new design, showing the lid in an open position;  
FIG. 2 is a front elevational view thereof;  
FIG. 3 is a rear elevational view thereof;  
FIG. 4 is a side elevational view thereof, the side opposite being a mirror image of the side shown in FIG. 4;  
FIG. 5 is a top plan view thereof; and,  
FIG. 6 is a bottom plan view thereof.

**1 Claim, 4 Drawing Sheets**



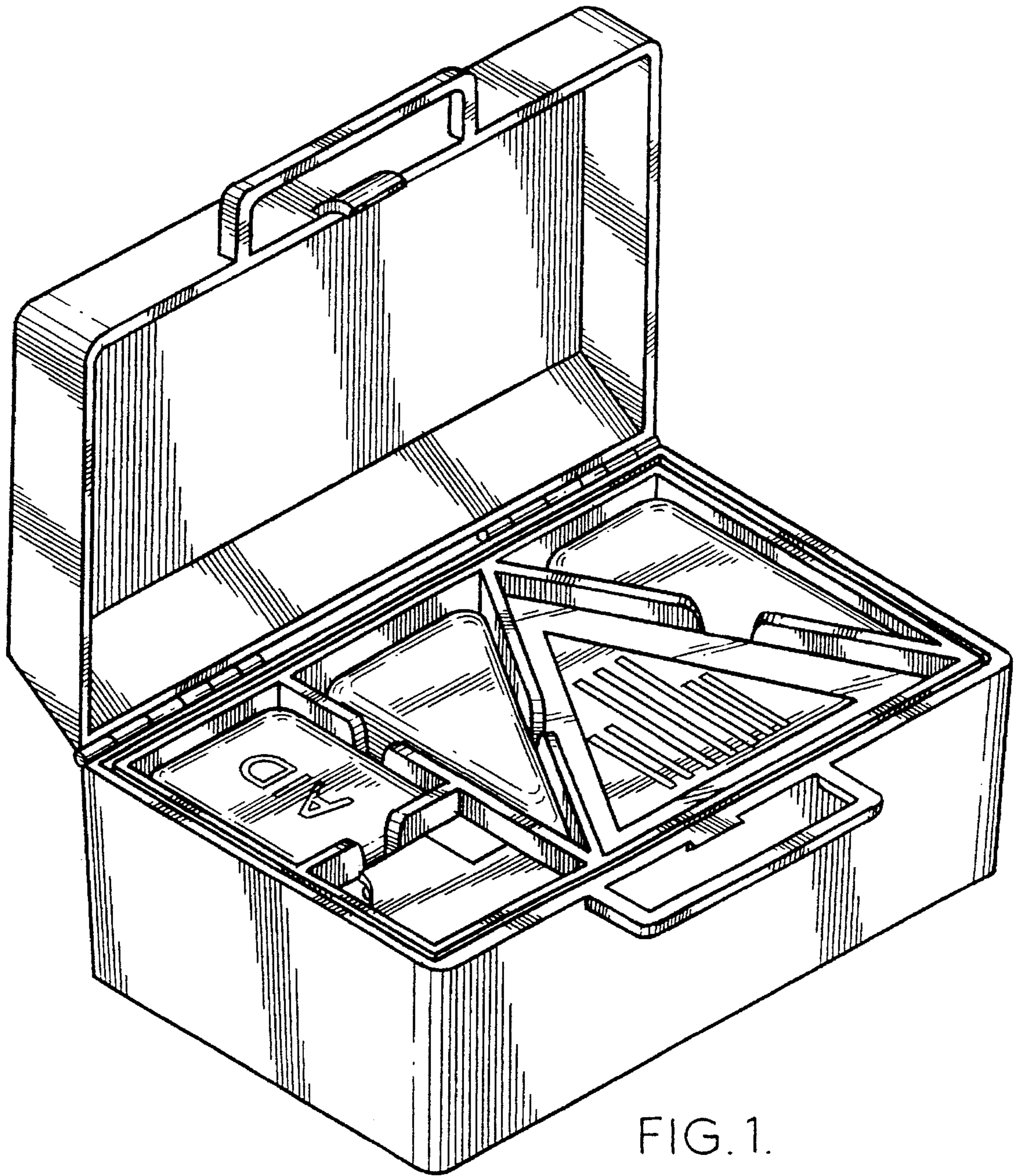


FIG. 1.

FIG. 5.

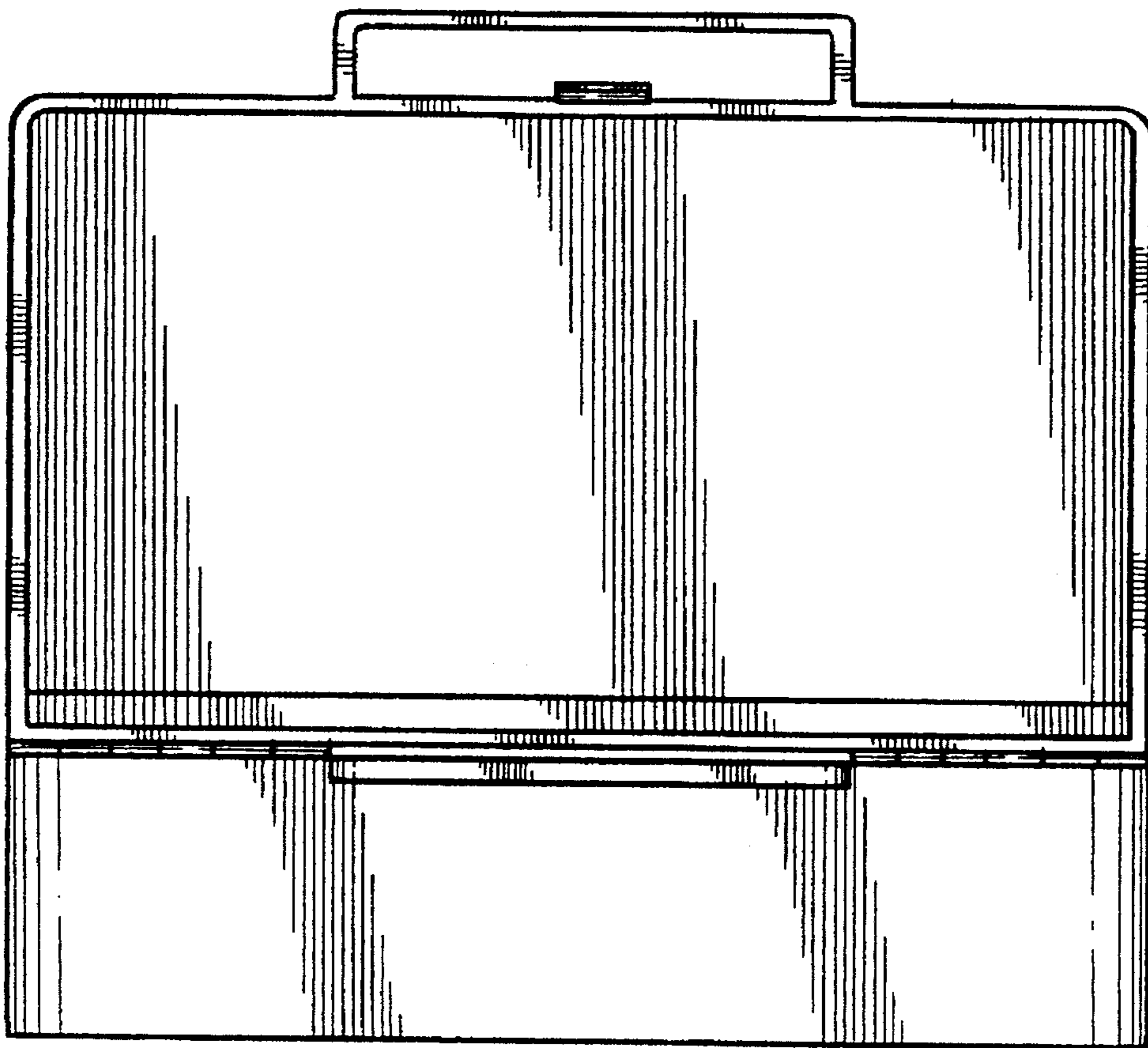
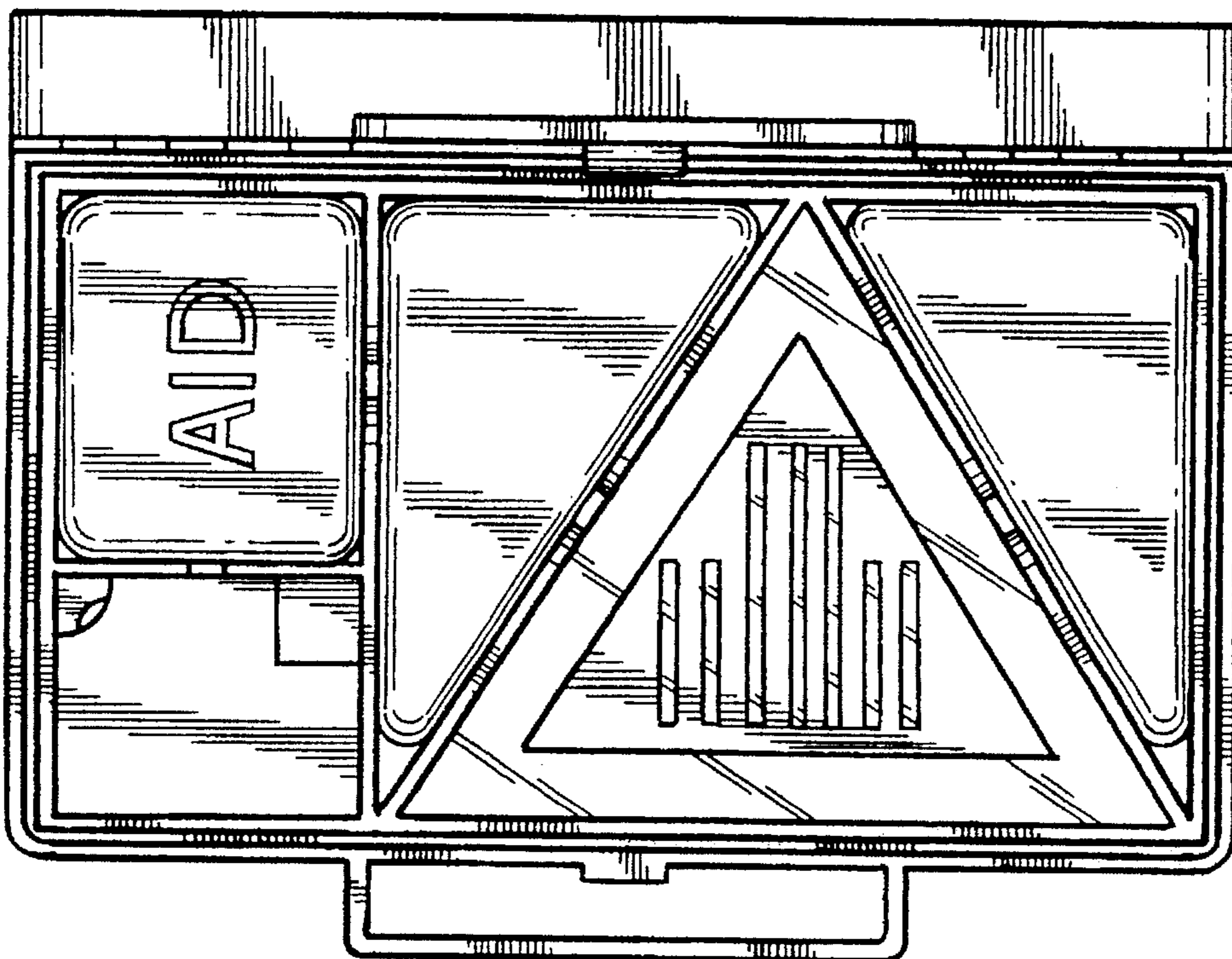


FIG. 2.

FIG. 3.

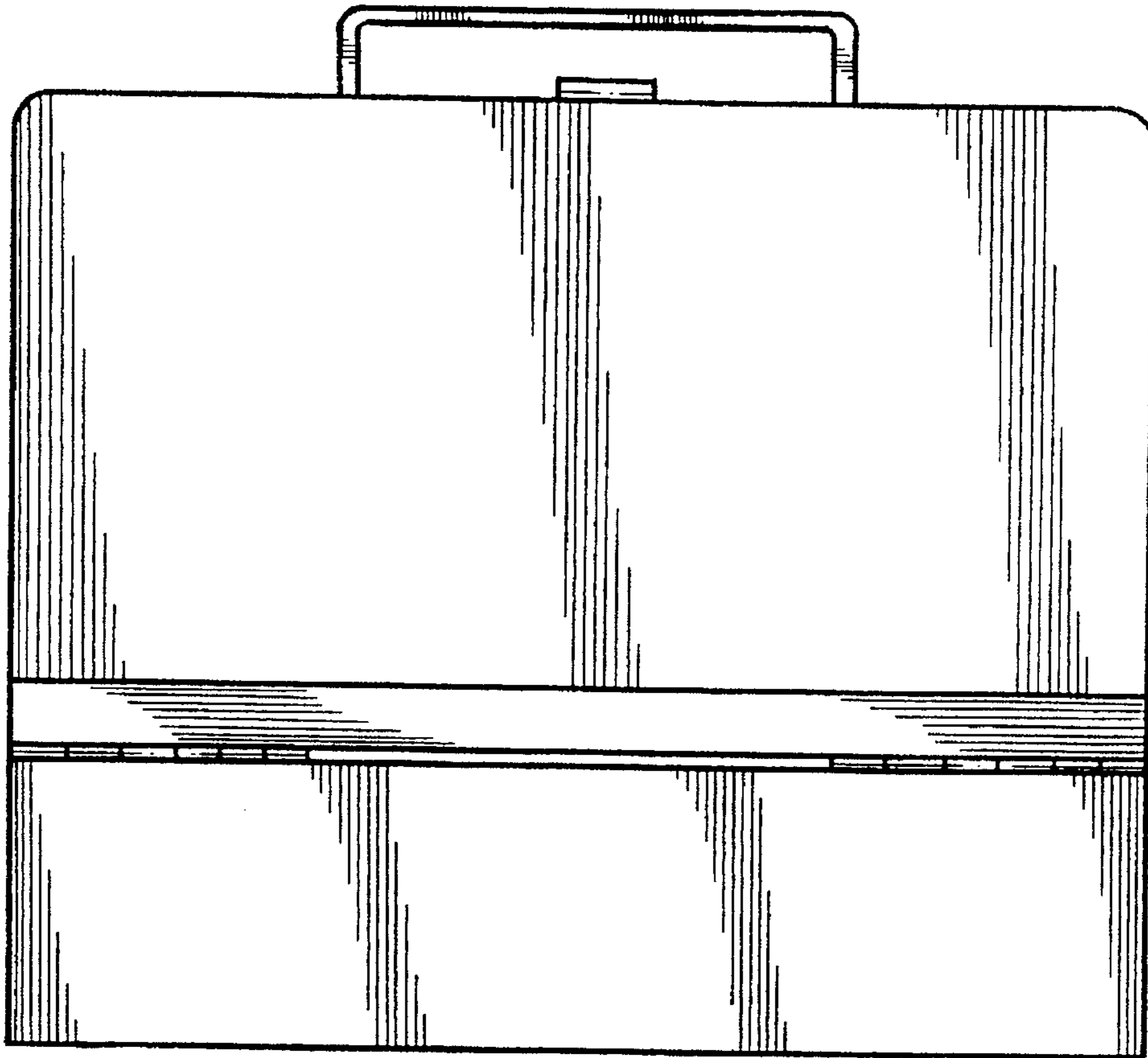
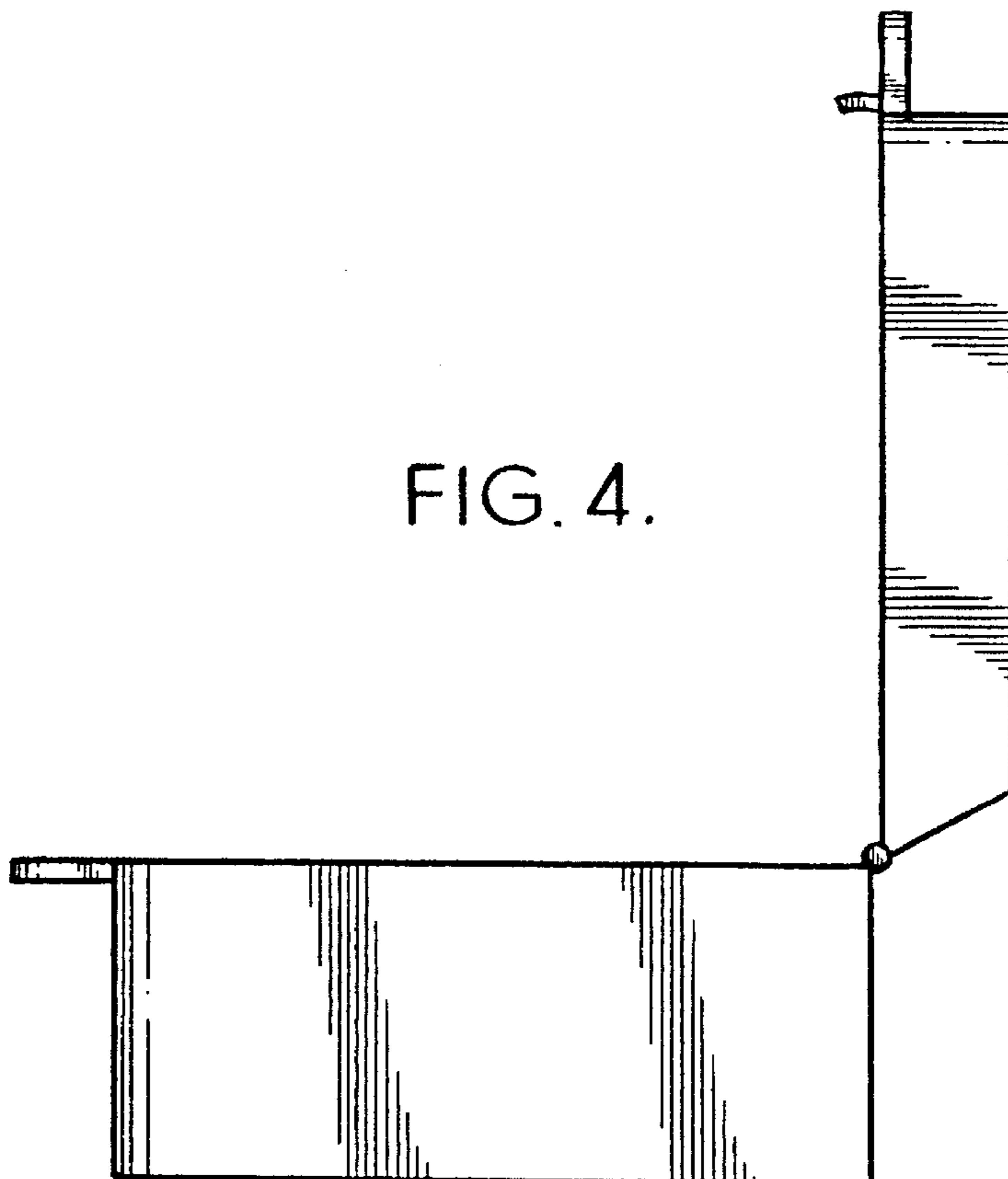


FIG. 4.



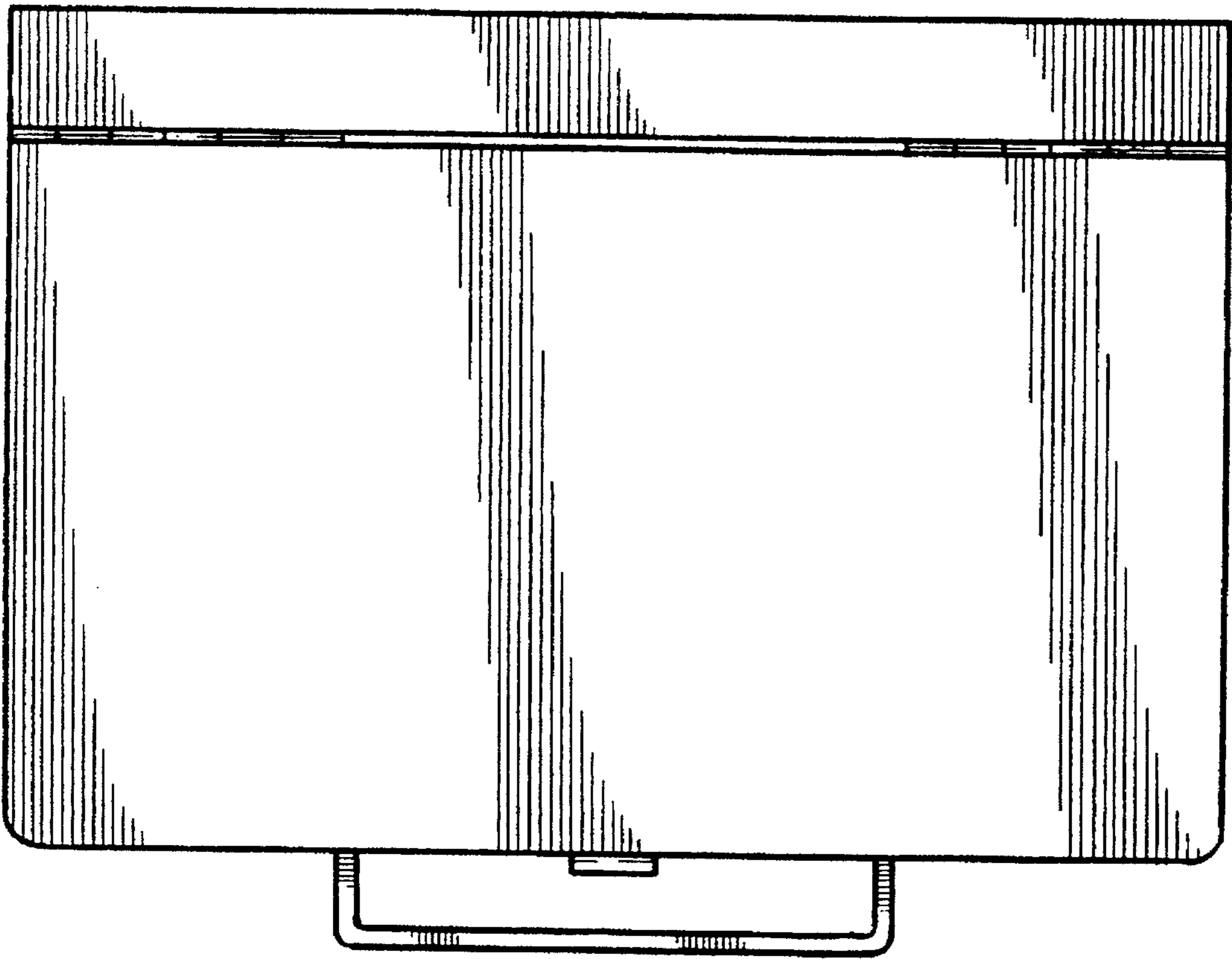


FIG. 6.